

The
**Eighteen
Seventy-Five**
Collection



RealWoodFloors

Surrey WHITE OAK



RealWoodFloors

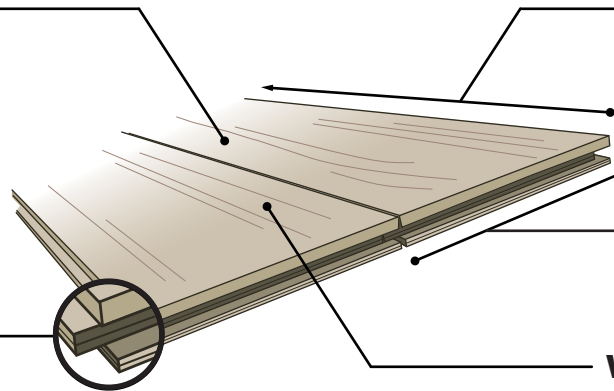
The Eighteen Seventy-Five Collection

BEAUTY + BRAWN

- Easy Clean, Satin Matte Finish
- 25 Year Residential Warranty
- Weathered Textures and Gently Brushed Grain

GO LONG!

- Variable Lengths up to 6'
- Exceeds Industry Standard



6" WIDE PLANK

MULTI-PLY CORE

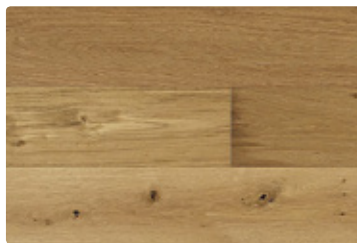
- Versatile Installation Capabilities
- Engineered for Maximum Stability
- Renewably Sourced Core Material
- Cross Directional Hardwood Substrate

WELL BUILT

- 3/8" Thick Profile
- 1.5mm Sliced Hardwood Veneer
- Highest Caliber Precision Milling



Brunel WHITE OAK



Putney WHITE OAK



Wandsworth WHITE OAK



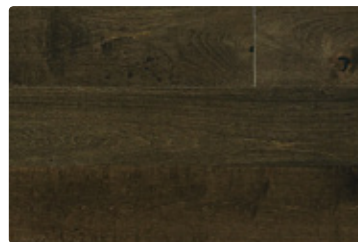
Thames WHITE OAK



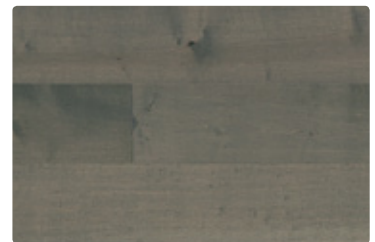
Surrey WHITE OAK



Doddington MAPLE



Westminster MAPLE



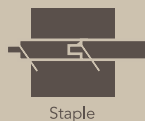
Fairfield MAPLE

A Good Year for Flooring. A Great Floor for You. In early 19th century London, Marc Brunel pioneered a new technique for slicing veneers from hardwood lumber. This process of making veneer, perfected in 1875, maximizes efficiency while preserving the natural grain of the lumber, making it the most beautiful and economical way to build an engineered floor. To celebrate this marvel of engineering, Real Wood Floors offers the Eighteen Seventy-Five Collection. © 2016 Real Wood Floors

Installation Options



Glue Down



Staple



Float

Trim Options



T-Molding



Reducer



Threshold



Stair Nosing

All trim pieces crafted to match species and color

78" long