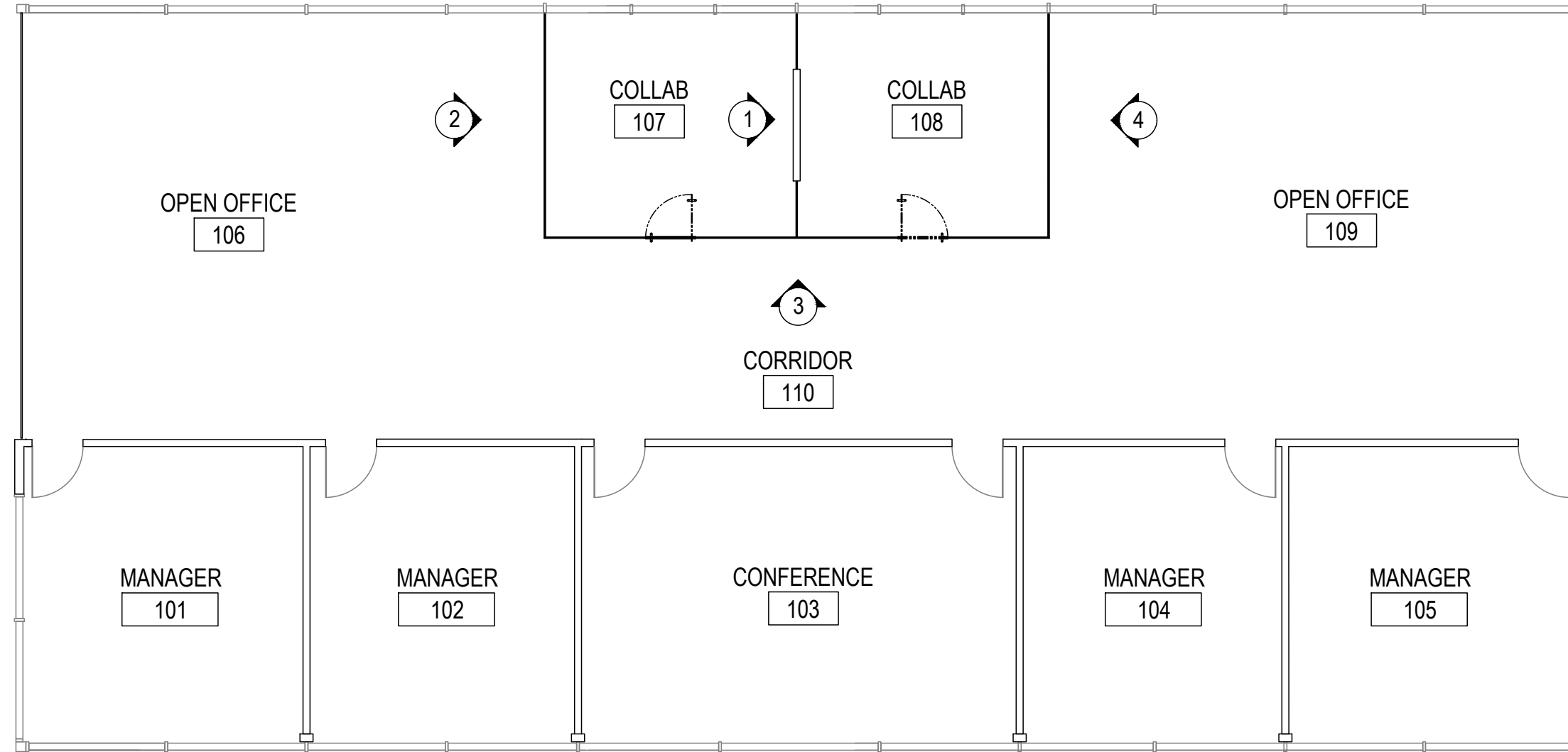


**GLASS
CO.
LOGO**

ADDRESS
CITY, STATE, ZIP
PHONE NO.
EMAIL



DESCRIPTION

DATE

BY

REV

JOB NAME:
SAMPLE SHOP DRAWING

GLAZING CONTRACTOR:
CONTRACTOR NAME

DRAWN BY
MKW

DATE
01.25.24

SCALE
N.T.S.

SHEET
R1

**GLASS
CO.
LOGO**

ADDRESS
CITY, STATE, ZIP
PHONE NO.
EMAIL

REV	BY	DATE	DESCRIPTION

JOB NAME:
SAMPLE SHOP DRAWING

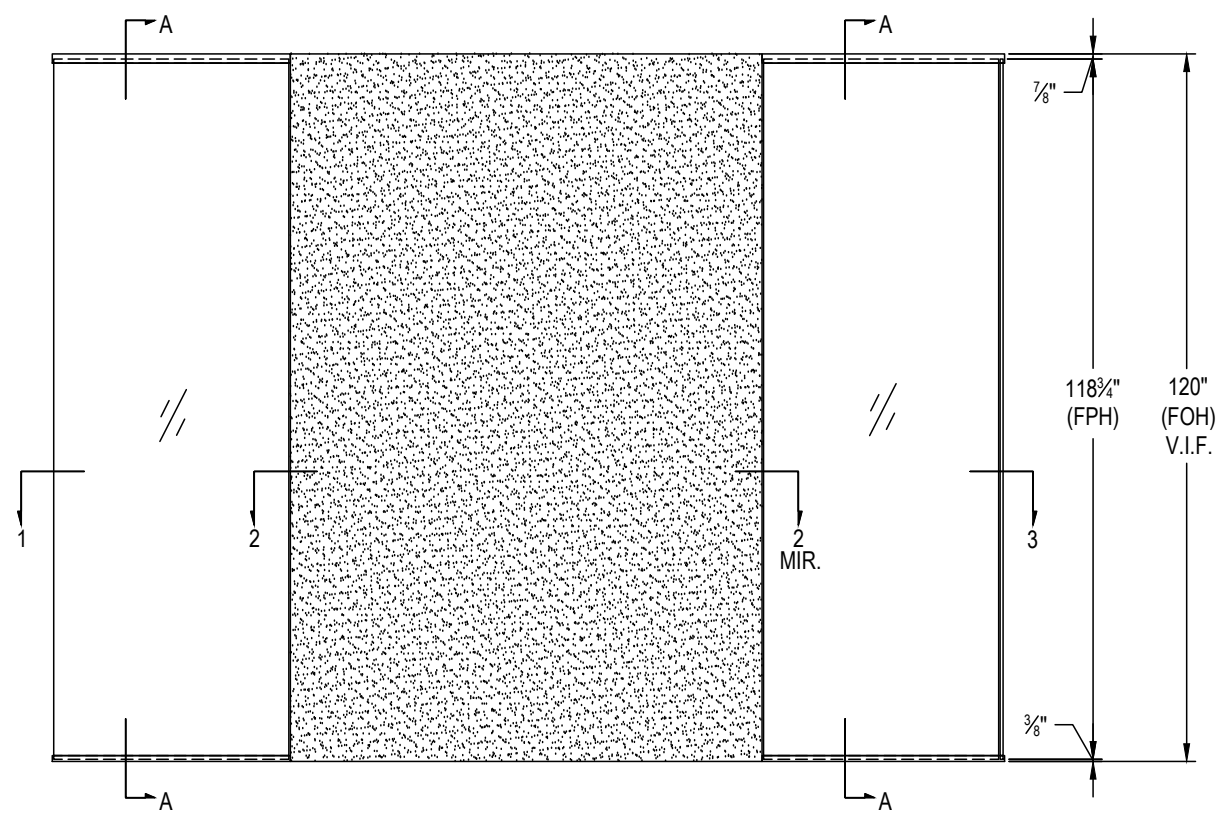
GLAZING CONTRACTOR:

CONTRACTOR NAME

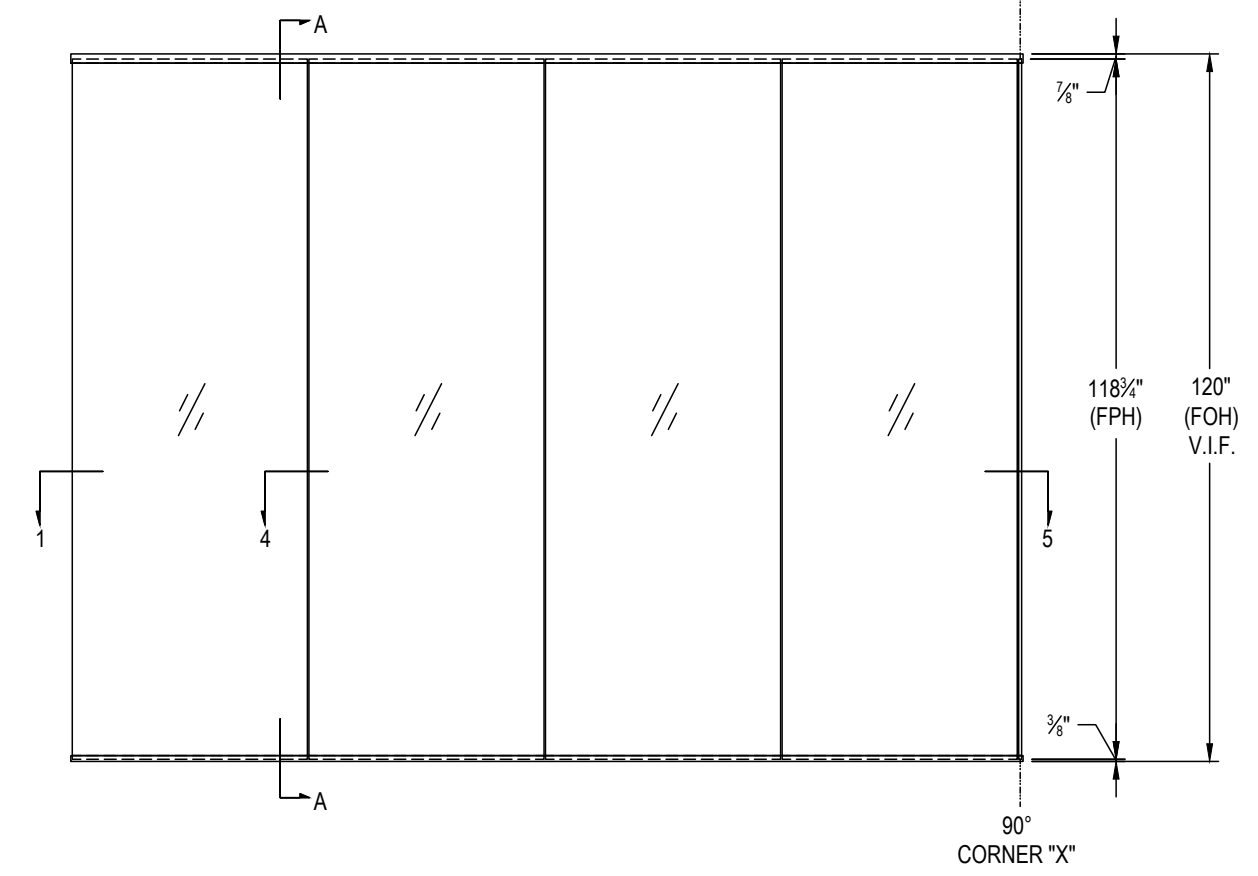
DRAWN BY: MKW DATE: 01.25.24

SCALE: N.T.S.

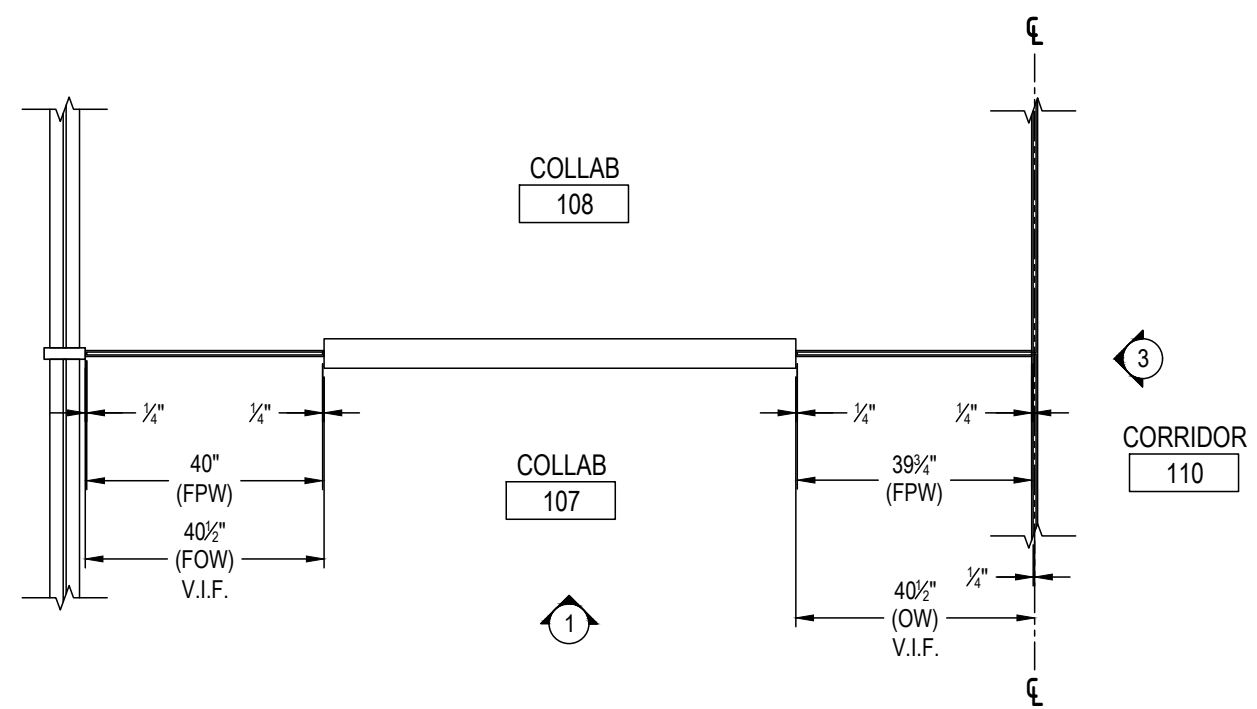
SHEET: **A1**



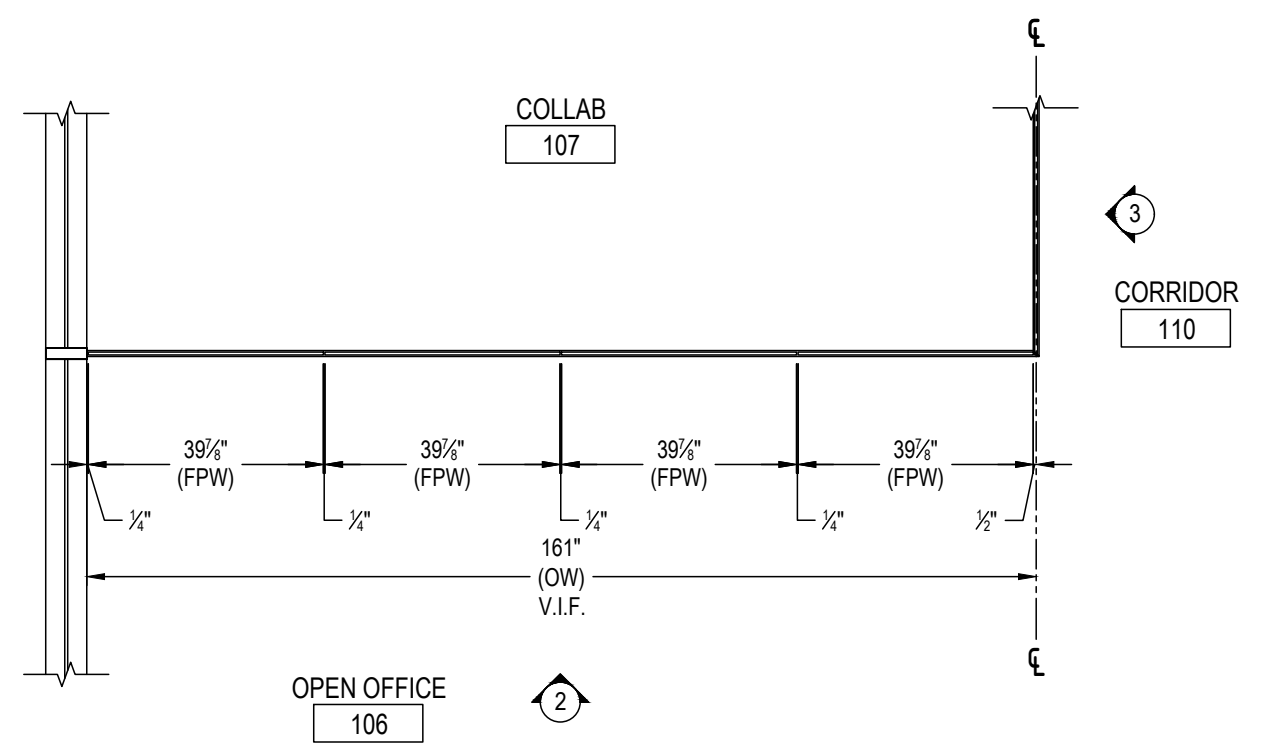
ELEVATION #1



ELEVATION #2



PLAN VIEW



PLAN VIEW

**GLASS
CO.
LOGO**

ADDRESS
CITY, STATE, ZIP
PHONE NO.
EMAIL

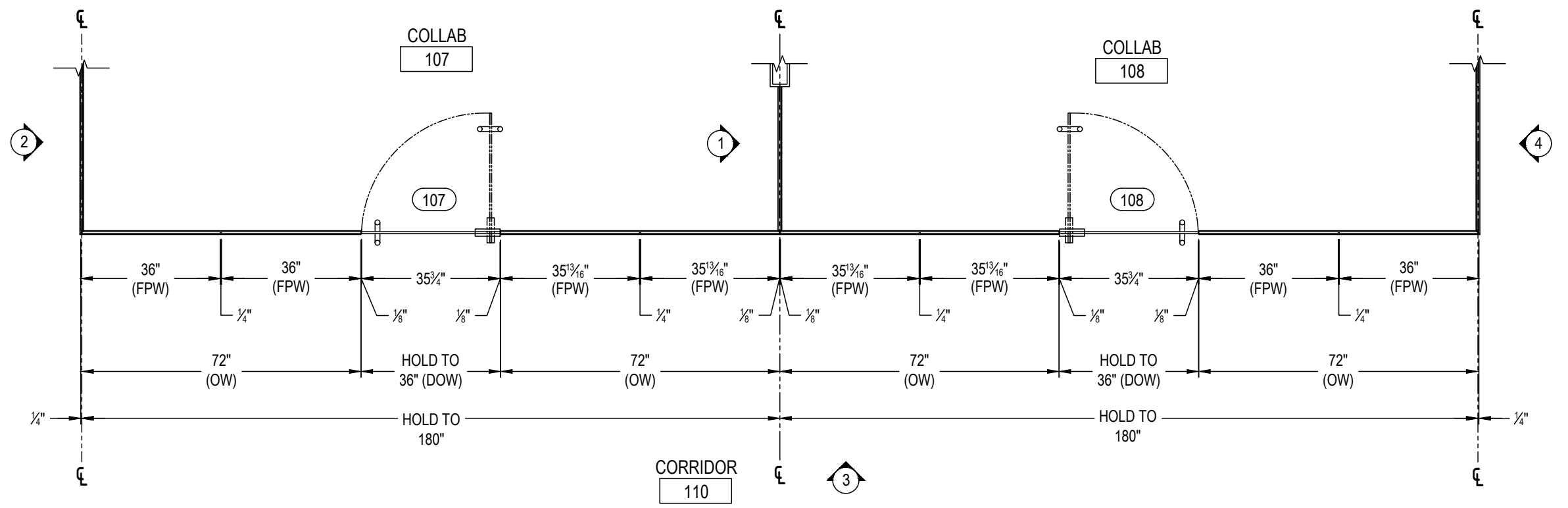
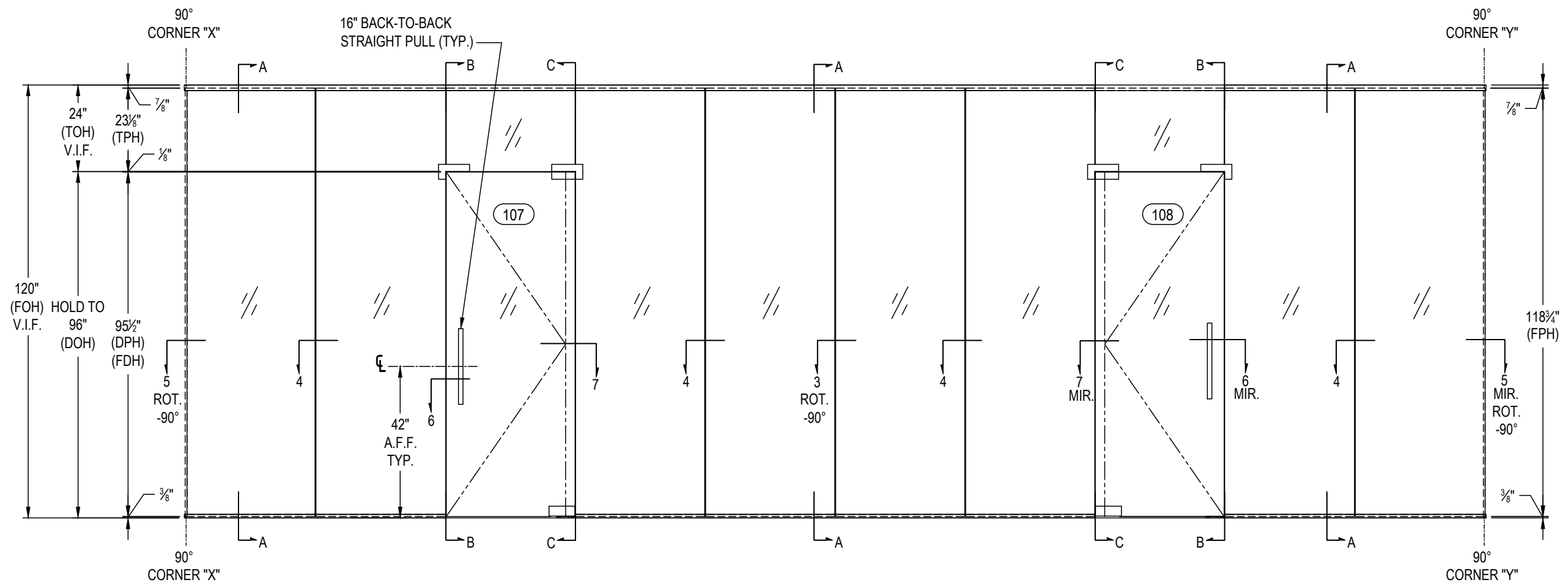
REV	BY	DATE	DESCRIPTION

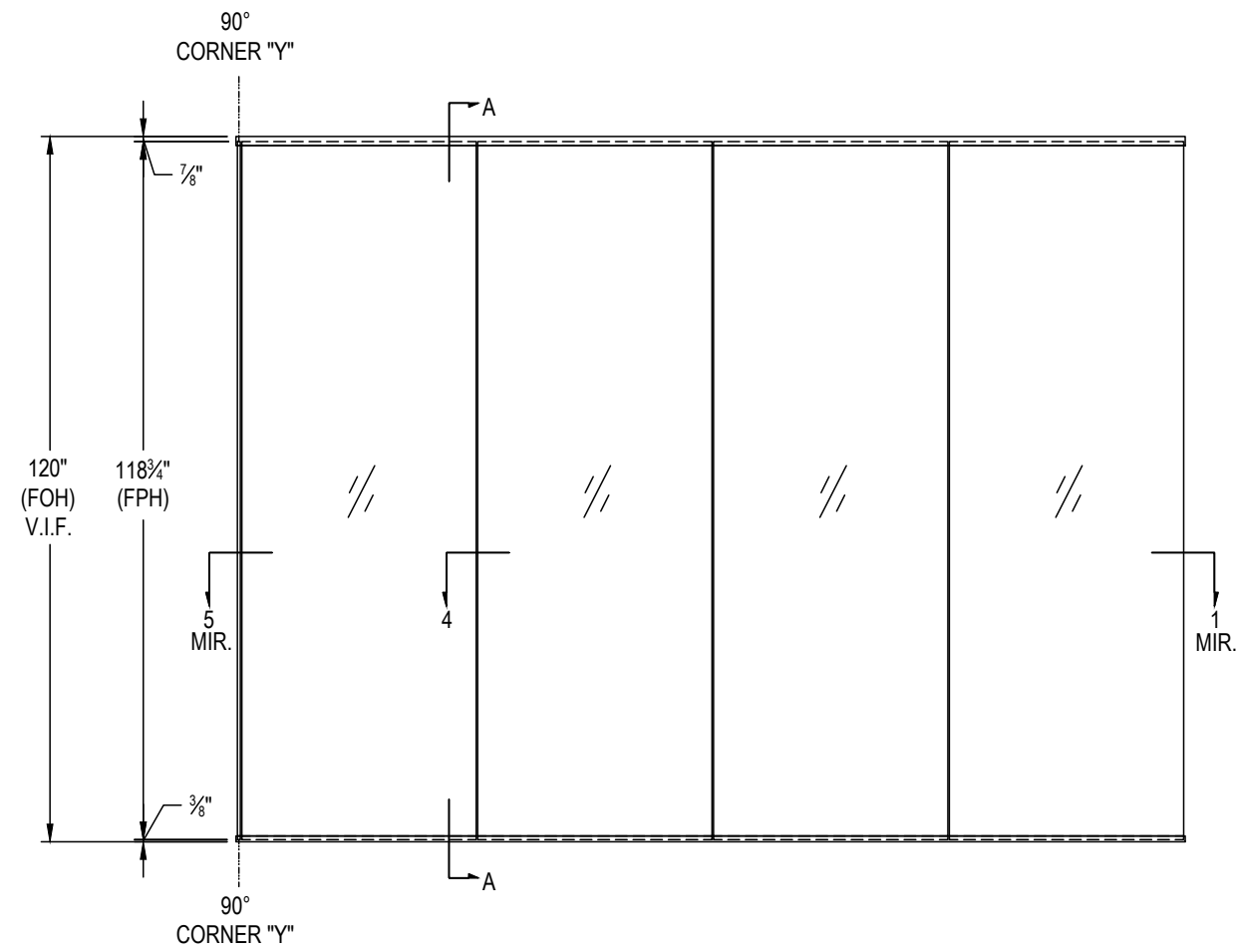
JOB NAME:
SAMPLE SHOP DRAWING
GLAZING CONTRACTOR:
CONTRACTOR NAME

DRAWN BY: MKW DATE: 01.25.24

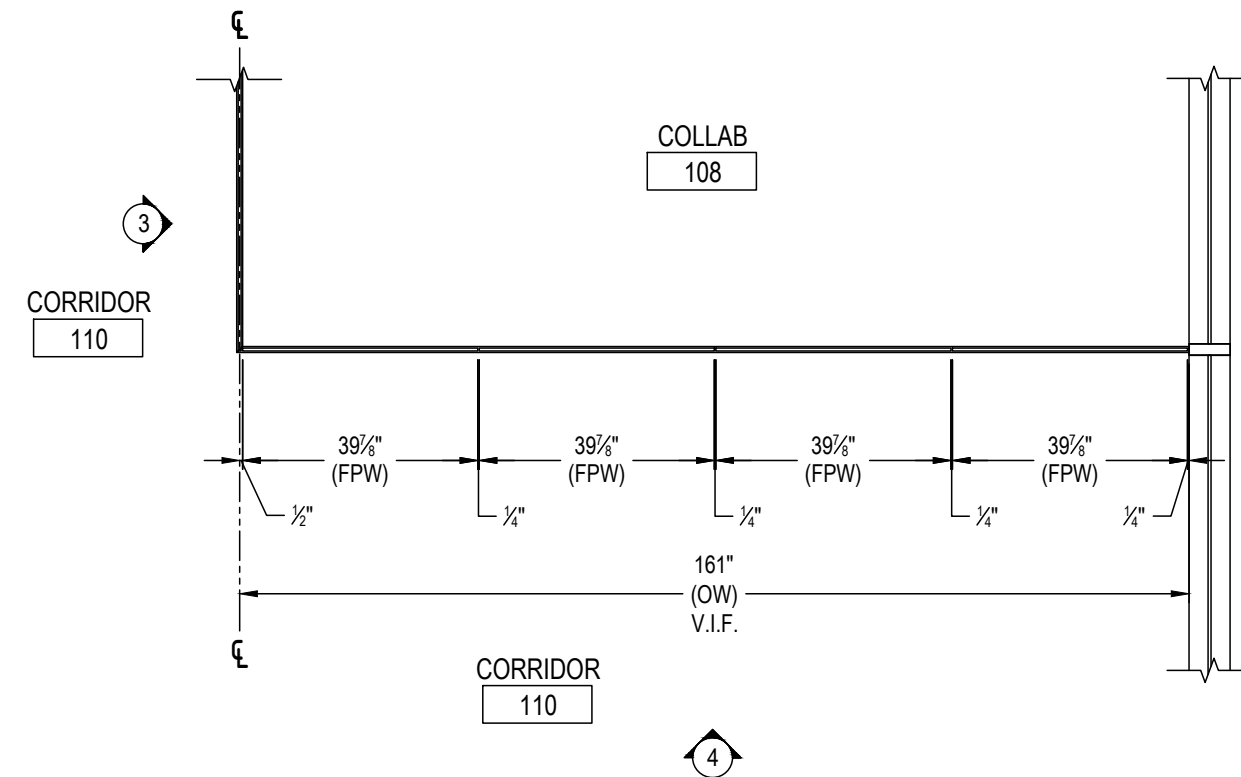
SCALE: N.T.S.

SHEET: A2





ELEVATION #4



PLAN VIEW

**GLASS
CO.
LOGO**

ADDRESS
CITY, STATE, ZIP
PHONE NO.
EMAIL

REV	BY	DATE	DESCRIPTION

JOB NAME:
SAMPLE SHOP DRAWING

GLAZING CONTRACTOR:
CONTRACTOR NAME

DRAWN BY
MKW

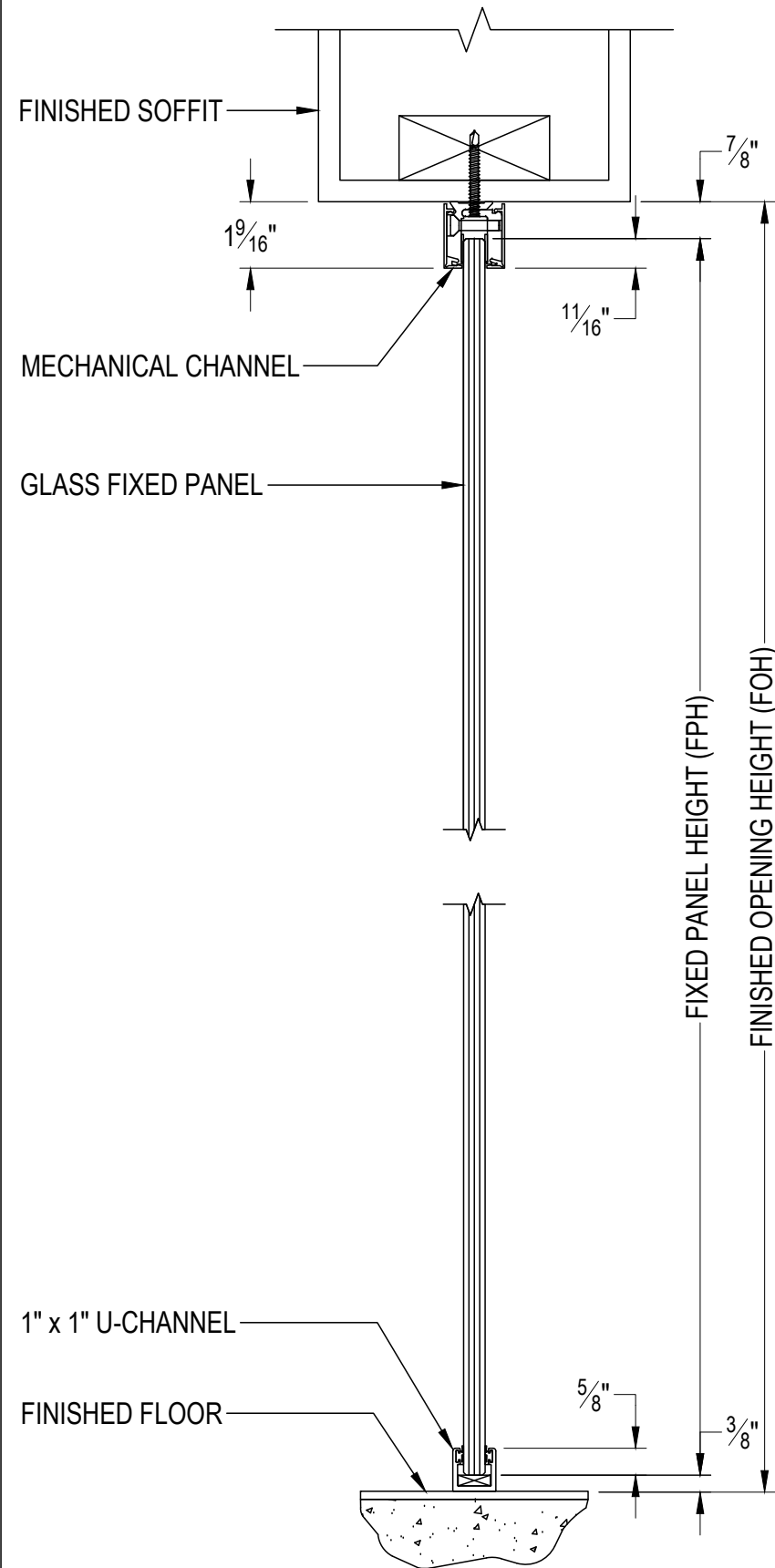
DATE
01.25.24

SCALE
N.T.S.

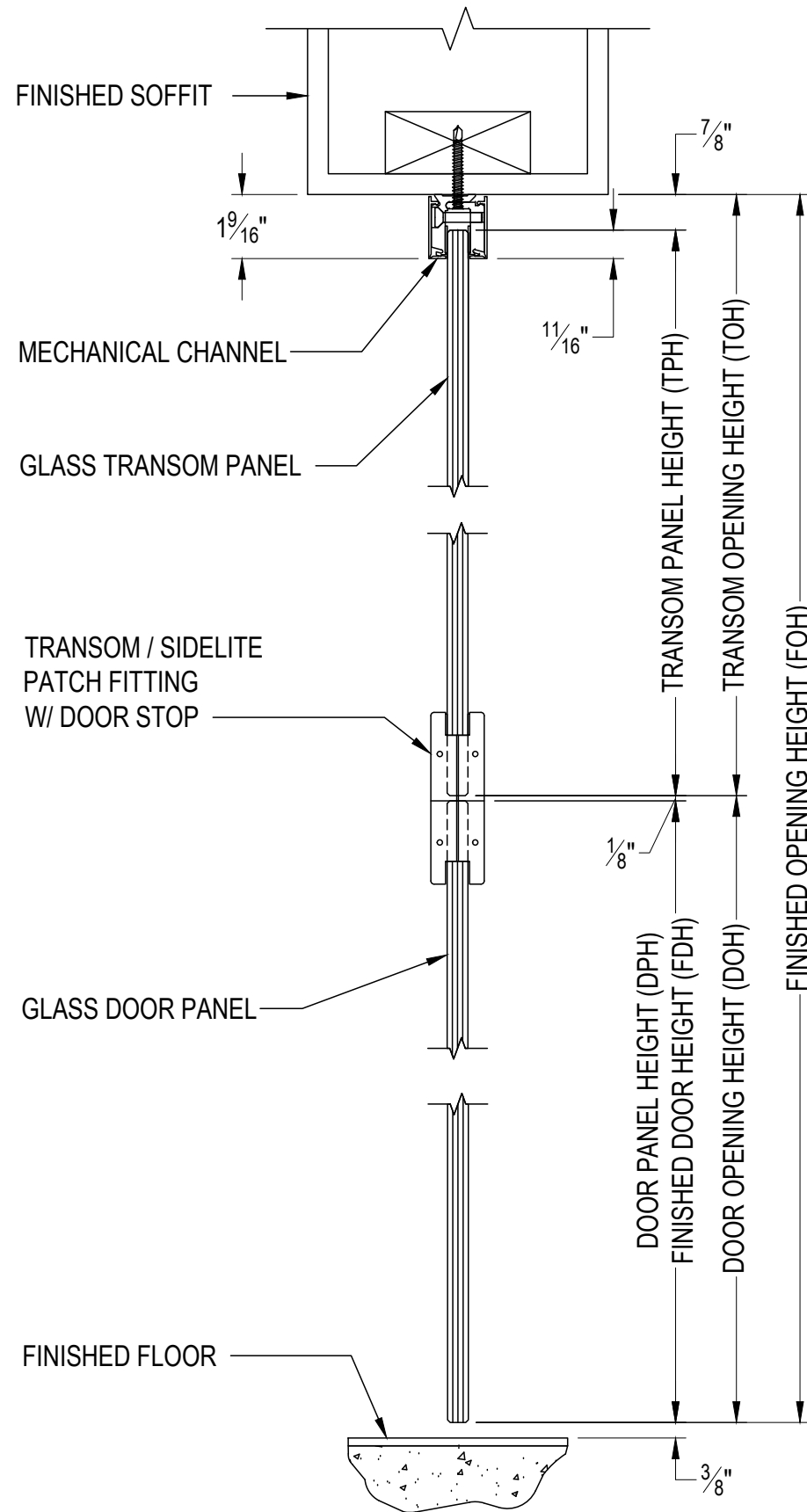
SHEET
A3

VERTICAL SECTION DETAILS

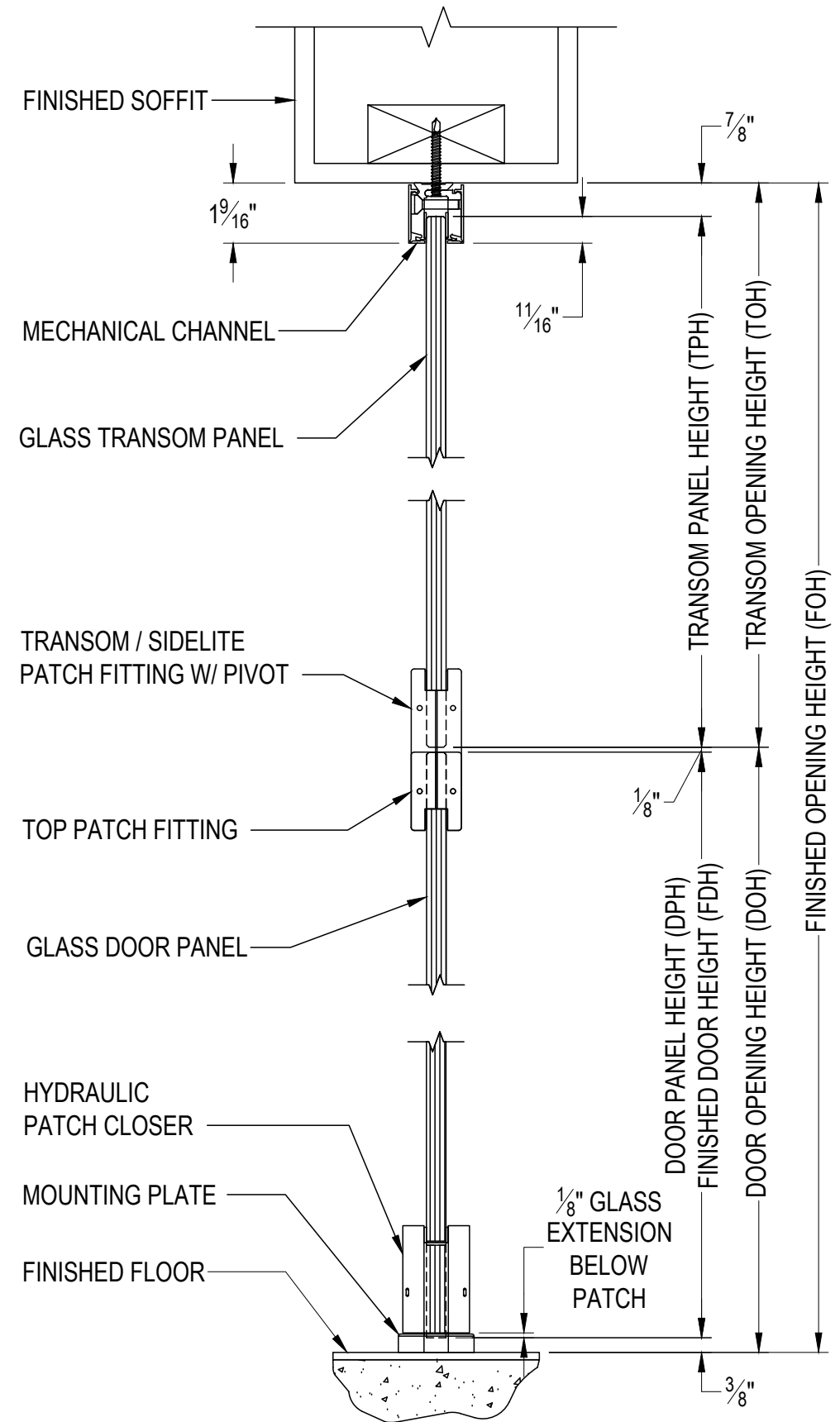
NOTE: ALL BLOCKING, FASTENERS & FINISHED SURFACES BY OTHERS



(A-A) SIDELITE SECTION



(B-B) DOOR END VIEW @ PULL SIDE



(C-C) DOOR END VIEW (PIVOT SIDE)

**GLASS
CO.
LOGO**

ADDRESS
CITY, STATE, ZIP
PHONE NO.
EMAIL

REV	BY	DATE	DESCRIPTION

JOB NAME:
SAMPLE SHOP DRAWING

GLAZING CONTRACTOR:
CONTRACTOR NAME

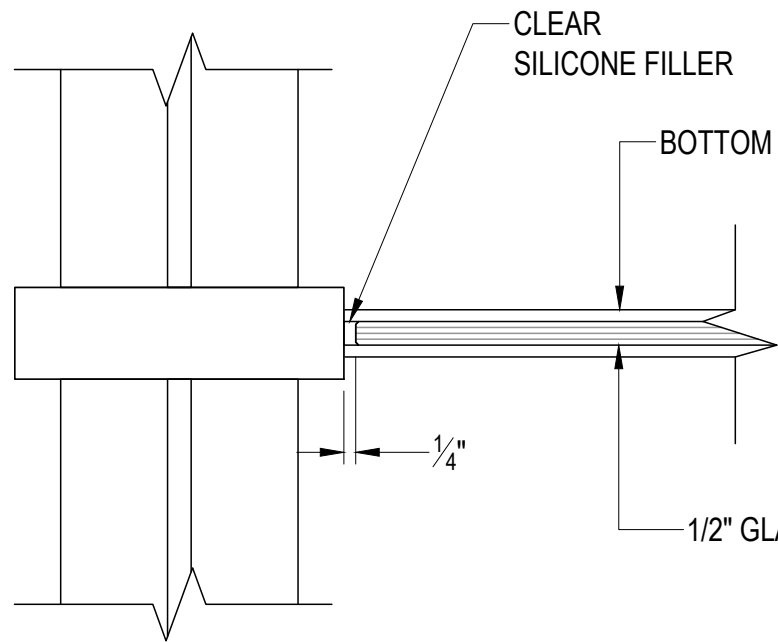
DRAWN BY: MKW DATE: 01.25.24

SCALE: N.T.S.

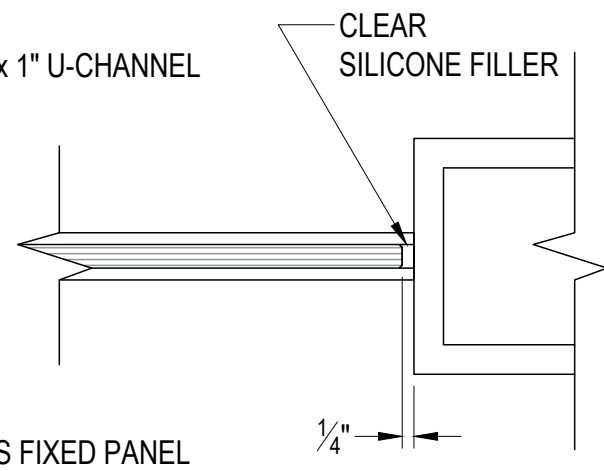
SHEET: D1

PLAN SECTION DETAILS

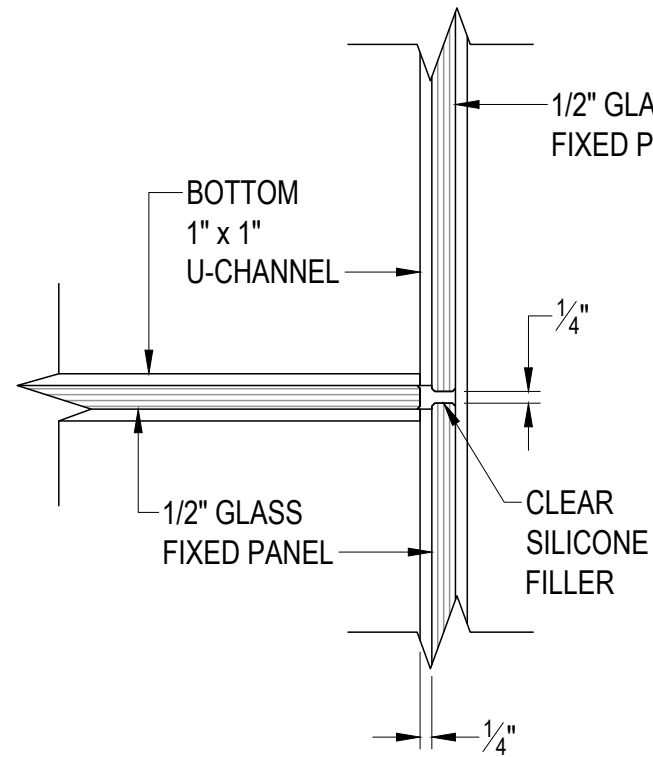
NOTE: ALL BLOCKING, FASTENERS & FINISHED SURFACES BY OTHERS



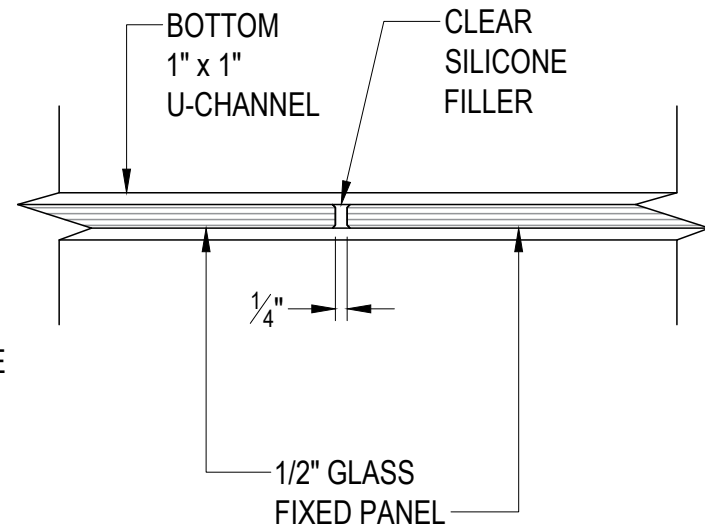
1 SIDELITE @ FINISHED WALL (WINDOW SIDE)



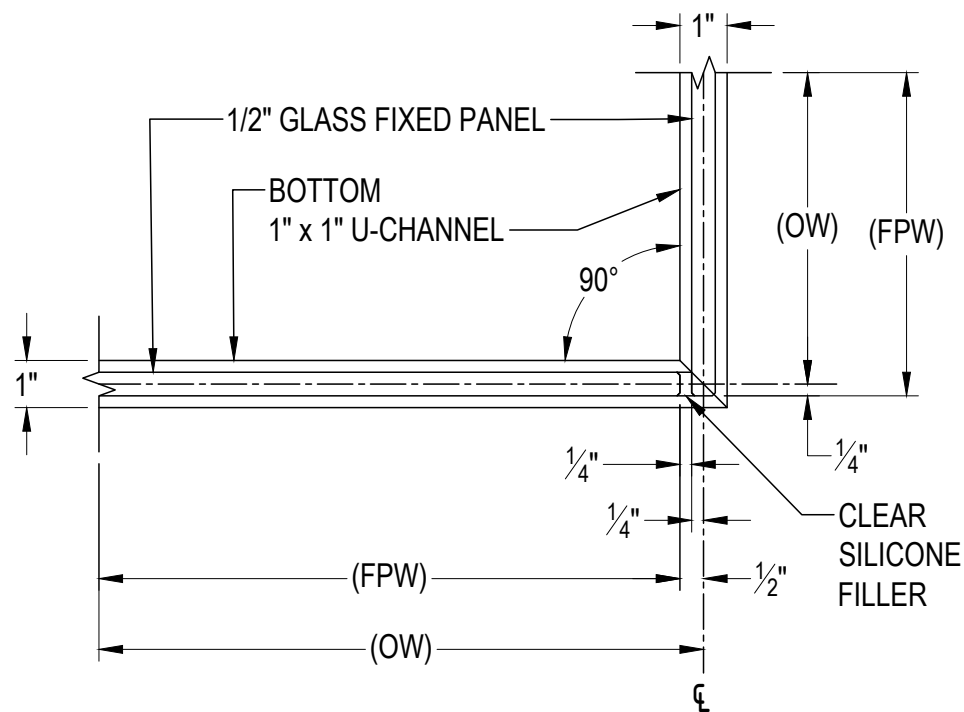
2 SIDELITE @ FINISHED WALL



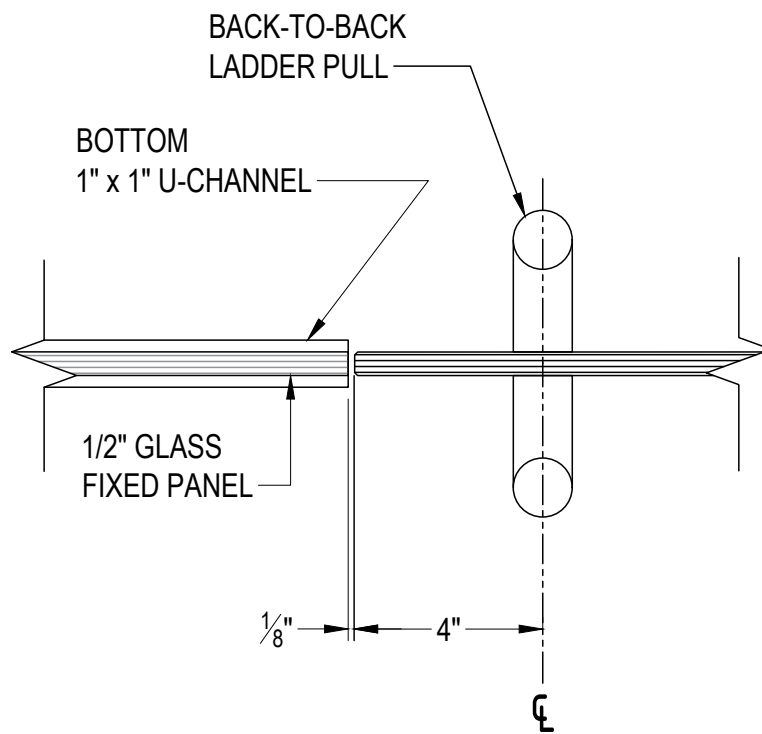
3 SIDELITES @ "T" JUNCTION



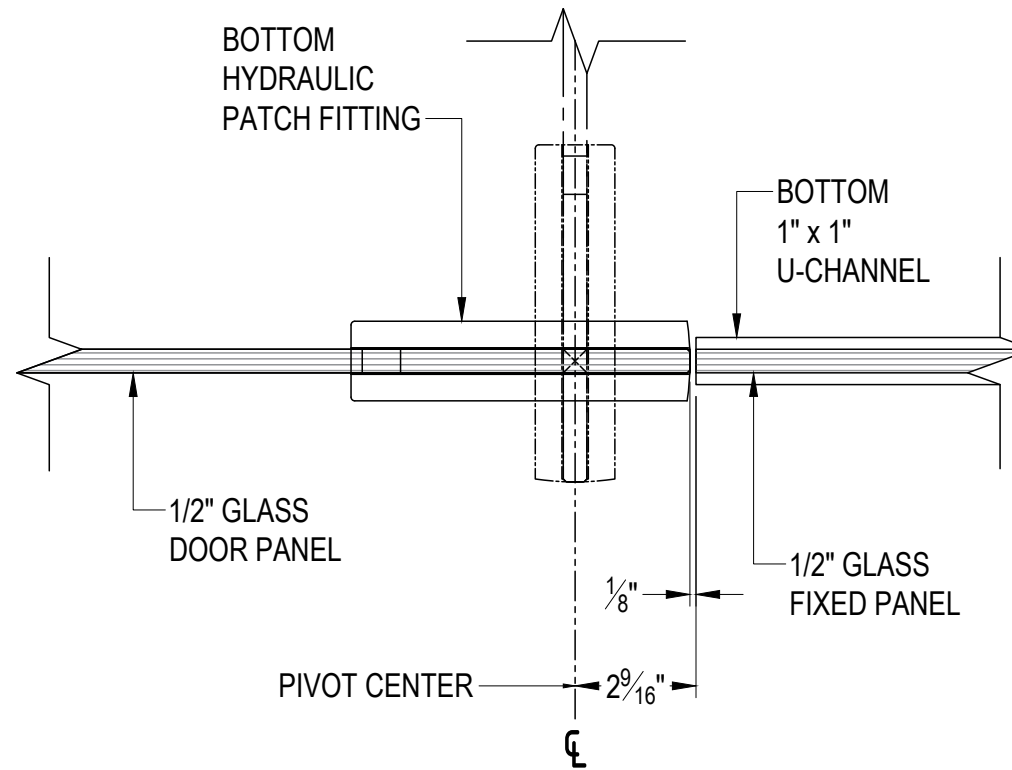
4 ADJACENT SIDELITES



5 SIDELITE @ 90° JUNCTION



6 SIDELITE @ DOOR (PULL SIDE)



7 DOOR (PIVOT SIDE) @ SIDELITE

**GLASS
CO.
LOGO**

ADDRESS
CITY, STATE, ZIP
PHONE NO.
EMAIL

DESCRIPTION

DATE

BY

REV

JOB NAME:
SAMPLE SHOP DRAWING

GLAZING CONTRACTOR:

CONTRACTOR NAME

DRAWN BY
MKW

DATE
01.25.24

SCALE
N.T.S.

SHEET
D2