

**CLIENT
LOGO**

PROJECT NAME

GLASS TYPE: 1/2" CLEAR TEMPERED

NOTES

ALL STRUCTURAL FRAMING BY OTHERS. GENERAL CONTRACTOR TO PROVIDE SURROUNDING CONDITIONS SUFFICIENT TO WITHSTAND LOADS IMPOSED BY THE GLASS ENTRANCE SYSTEM.

CLIENT ASSUMES NO RESPONSIBILITY FOR ERRORS RESULTING FROM THE USE OF THESE DRAWINGS BY OTHER TRADES.

FINAL APPROVAL CONSTITUTES ACCEPTANCE OF ALL FINISHES, CONNECTIONS, DIMENSIONS AND DEVIATIONS DETAILED ON THESE DRAWINGS. ALL DIMENSIONS MUST BE FIELD VERIFIED.



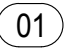

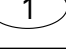

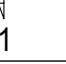
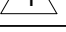
THESE APPLICATION DRAWINGS REPRESENT OUR INTERPRETATION OF THE APPLICATION OF ALL-GLASS ENTRANCE SYSTEM PRODUCTS TO THIS PROJECT IN FUNCTIONAL COMPLIANCE WITH THE ARCHITECTS DRAWINGS & SPECIFICATIONS. APPLICATION DRAWINGS ARE TO BE REVIEWED DIMENSIONALLY & FUNCTIONALLY WITH RESPECT TO ACTUAL ARCHITECT'S INTENT, INTERFACING CONDITIONS & MATERIALS, AND JOBSITE CONDITIONS

ALL SETTING BLOCKS, SPACER BLOCKS, MOUNTING BOLTS, SCREWS, ANCHORS, AND GLASS FILM (IF APPLICABLE) ARE BY OTHERS.

CONTENTS

C1	COVER SHEET
R1	REFERENCE FLOOR PLAN
A1	ELEVATIONS & PLAN VIEWS
A2	ELEVATIONS & PLAN VIEWS
D1	DETAILS
D2	DETAILS
TOTAL NUMBER OF SHEETS: 6	

PARTS LIST	
MANUFACTURER / DESCRIPTION	FINISH
CRL 4-1/2" x 36" SINGLE DOOR HEADER	SATIN ANODIZED
CRL 4-1/2" X 72" DOUBLE DOOR HEADER	SATIN ANODIZED
CRL ADJUSTABLE SPRING POWER 90° NHO 3/4" LONG SPINDLE OVERHEAD CONCEALED CLOSER	N/A
CRL 1/2" GLASS 4" TAPERED TOP DOOR RAIL WITHOUT LOCK 35-3/4" LENGTH	SATIN ANODIZED
CRL END CAP FOR 4" TAPERED 1/2 GLASS WEDGE-LOCK® DOOR RAIL	SATIN ANODIZED
CRL BLUMCRAFT - RHR & LHR RAIL MOUNT KEYED ACCESS "FS" EXTERIOR TOP SECURING ELECTRONIC EGRESS CONTROL HANDLE	- BRUSHED STAINLESS
CRL DUAL-PURPOSE FLOOR MOUNTED PIVOT FOR USE WITH 1" DEEP BOTTOM DOOR RAIL APPLICATIONS	N/A
CRL 4-1/2" HEADER CHANNEL - 120"	SATIN ANODIZED
CRL POCKET SNAP-IN CHANNEL - 120"	SATIN ANODIZED
CRL 4" TAPERED SIDELITE RAIL W/ 1/4 SADDLE	SATIN ANODIZED
CRL ESK1BS ELECTRIC STRIKE KEEPER FOR SINGLE DOORS - FAIL SECURE	BRUSHED STAINLESS
CRL ESK2BS ELECTRIC STRIKE KEEPER FOR DOUBLE DOORS - FAIL SECURE	BRUSHED STAINLESS

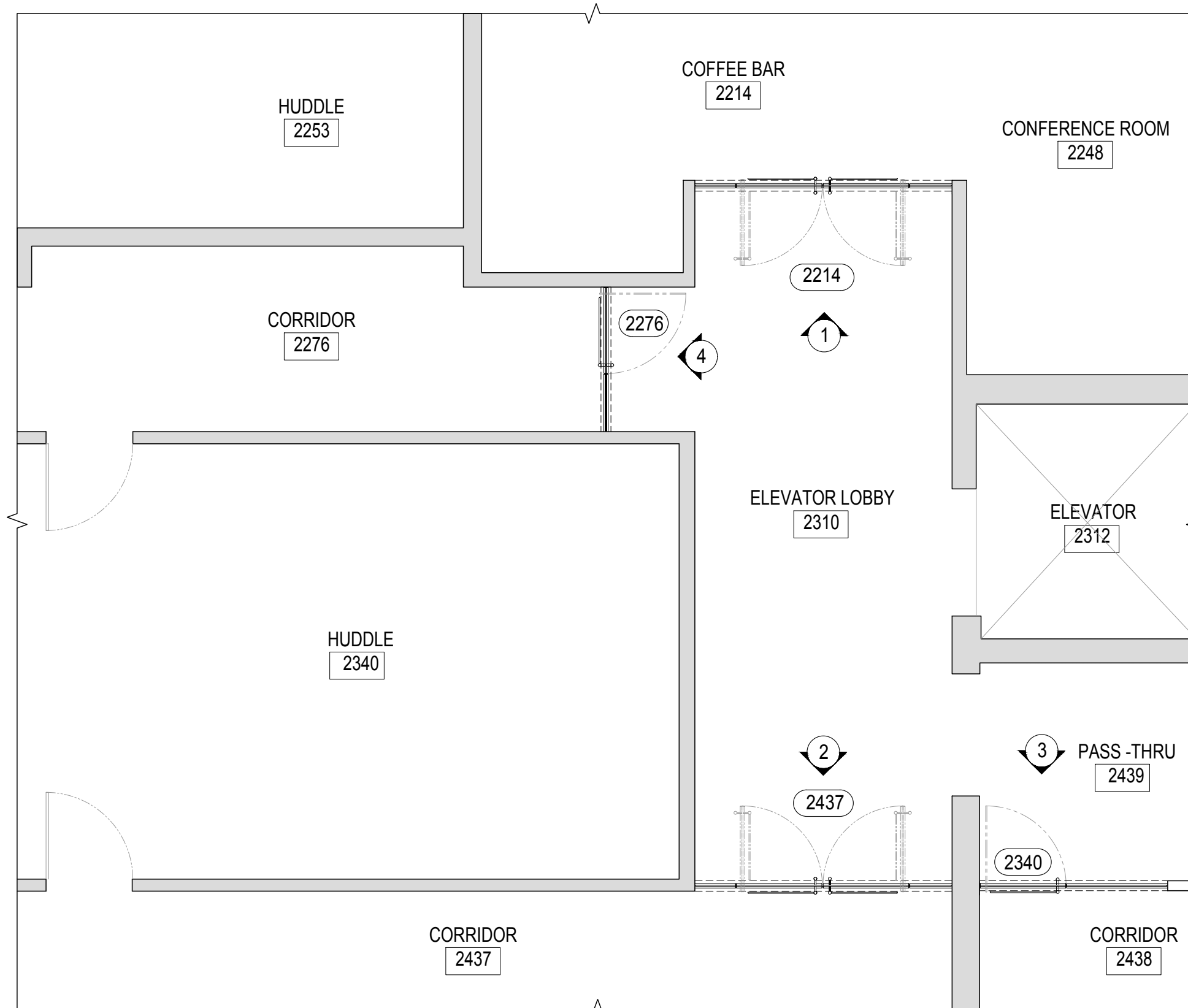
SYMBOLS	
	GLASS PANEL IDENTIFIER
	ELEVATION
	DOOR IDENTIFIER
	VERTICAL SECTION DETAIL
	HORIZONTAL SECTION DETAIL
	VERTICAL SECTION CUT
	PLAN SECTION CUT
	REVISION

ABBREVIATIONS	
ADJ.	ADJUSTABLE
A.F.F.	ABOVE FINISHED FLOOR
C/L	CENTER LINE
DOH	DOOR OPENING HEIGHT
DOW	DOOR OPENING WIDTH
DPH	DOOR PANEL HEIGHT
DPW	DOOR PANEL WIDTH
FDH	FINISHED DOOR HEIGHT
F.F.	FINISHED FLOOR
FOH	FINISHED OPENING HEIGHT
FOW	FINISHED OPENING WIDTH
FPH	FIXED PANEL HEIGHT
FPW	FIXED PANEL WIDTH
NHO	NON HOLD OPEN
SOW	SIDELITE OPENING WIDTH
TYP.	TYPICAL
V.I.F.	VERIFY IN FIELD
W/	WITH
W.O	WITHOUT

DRAWING SUBMITTAL REVIEW	
<input type="checkbox"/>	APPROVED (NO EXCEPTIONS TAKEN)
<input type="checkbox"/>	APPROVED AS NOTED (NO RESUBMISSION REQUIRED)
<input type="checkbox"/>	REVISE AND RESUBMIT
<input type="checkbox"/>	NOT APPROVED
SIGNATURE: _____	
PRINTED NAME: _____	
DATE: _____	
COMPANY: _____	

CLIENT	CLIENT NAME	PROJECT	SAMPLE DRAWING #2	COVER SHEET		
REVISIONS	DESCRIPTION	NO.	DATE			
DRAWN BY MKW		DATE XX.XX.XX		SHEET C1		

REFERENCE FLOOR PLAN



**CLIENT
LOGO**

CLIENT	
SAMPLE DRAWING	
PROJECT	SAMPLE DRAWING #2
REFERENCE FLOOR PLAN	

REVISIONS		DESCRIPTION
NO.	DATE	

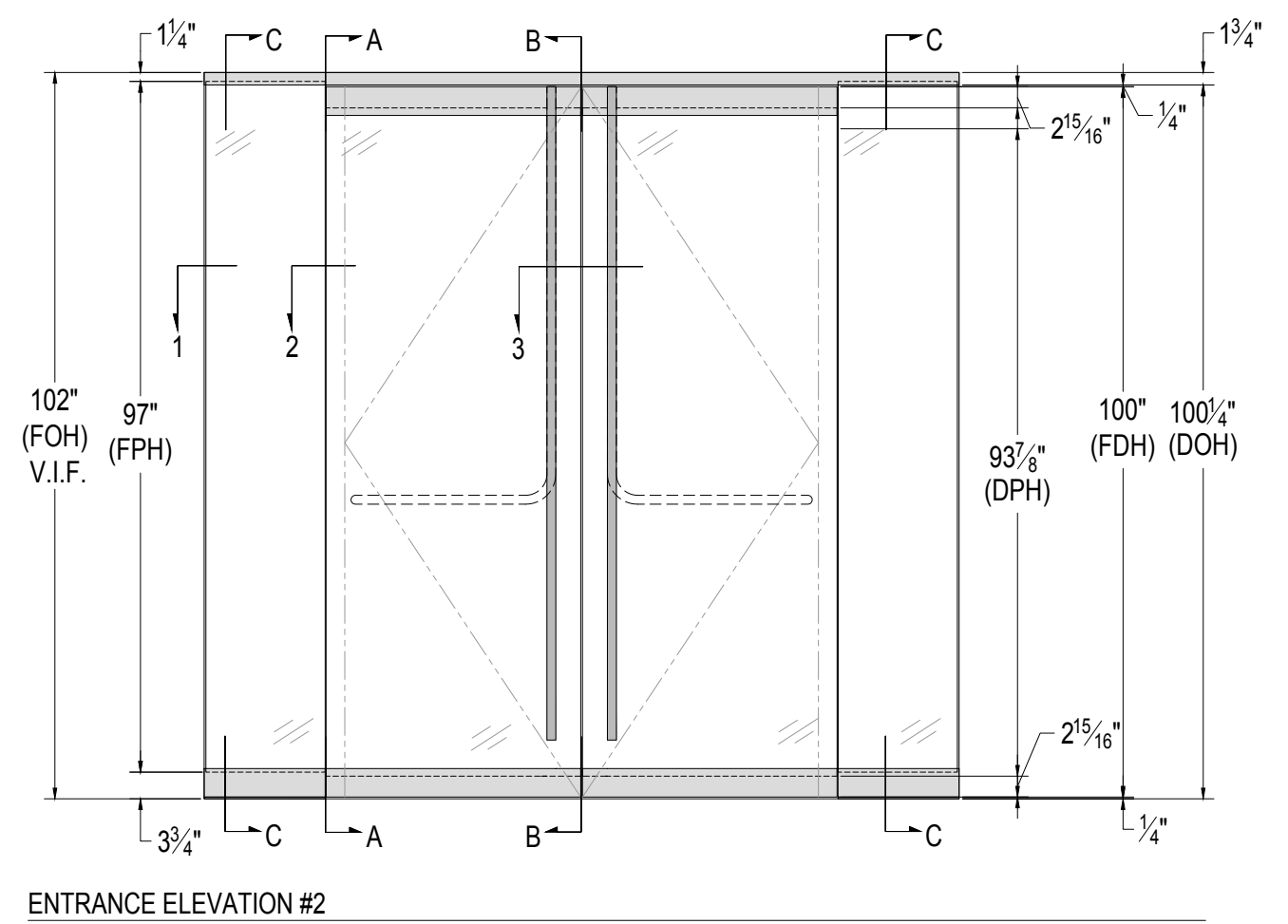
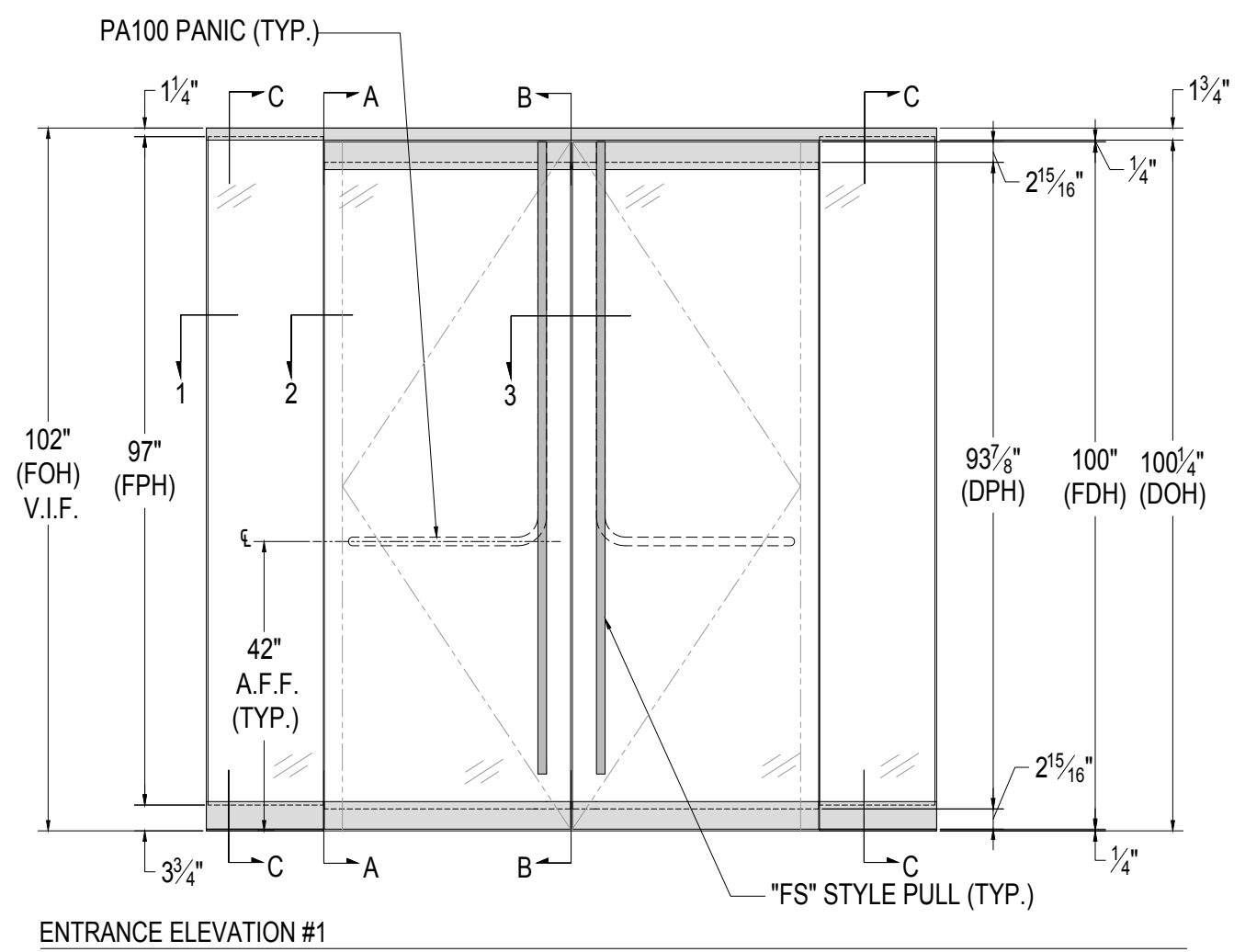
DRAWN BY
MKW

DATE
XX.XX.XX

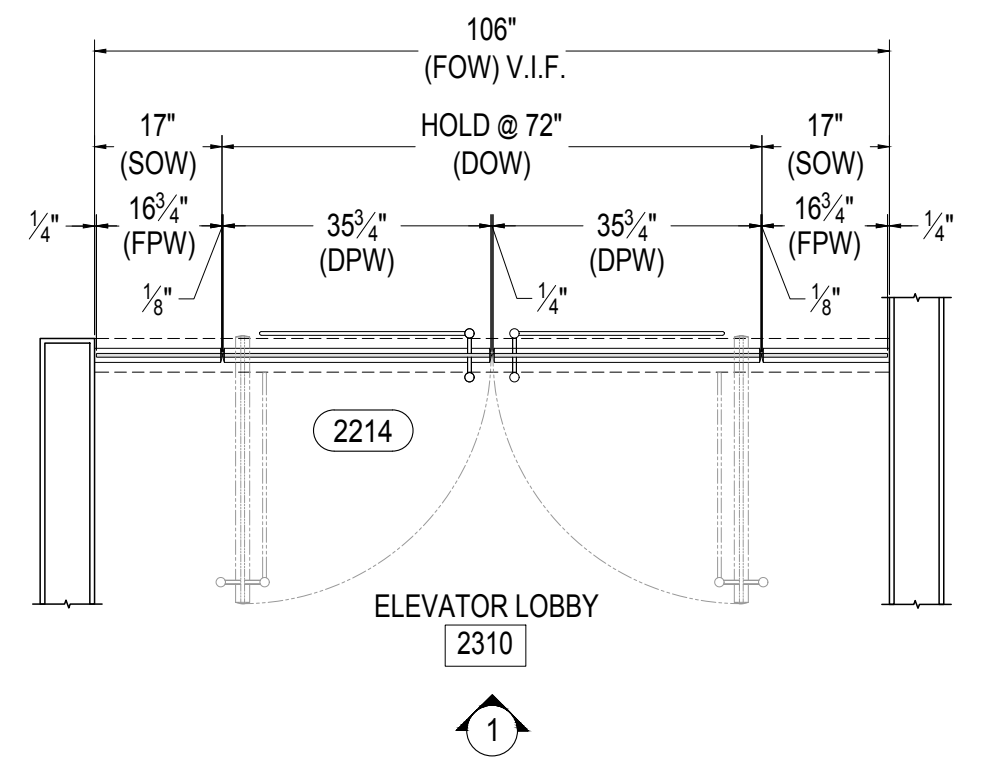
SHEET
R1

**CLIENT
LOGO**

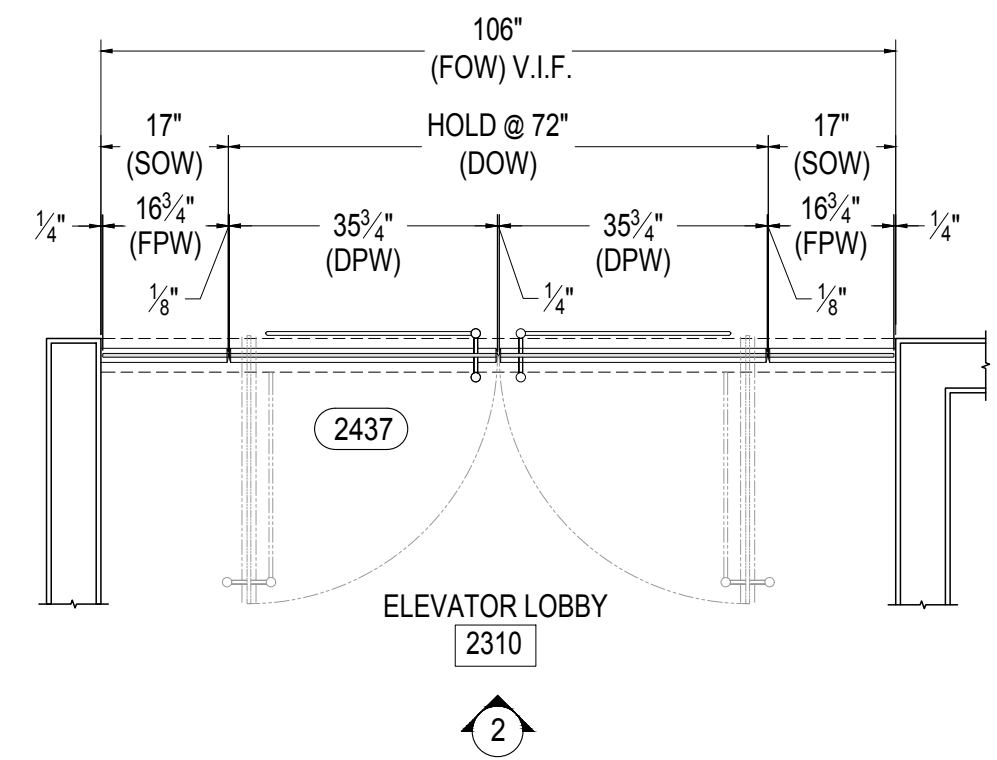
CLIENT
SAMPLE DRAWING
PROJECT
SAMPLE DRAWING #2
ELEVATIONS & PLAN VIEWS



COFFEE BAR
2214

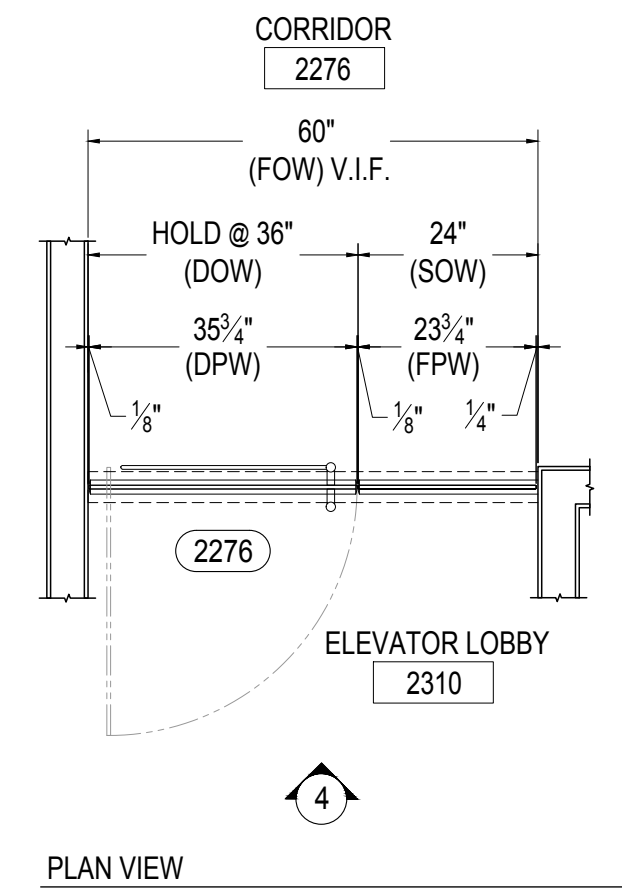
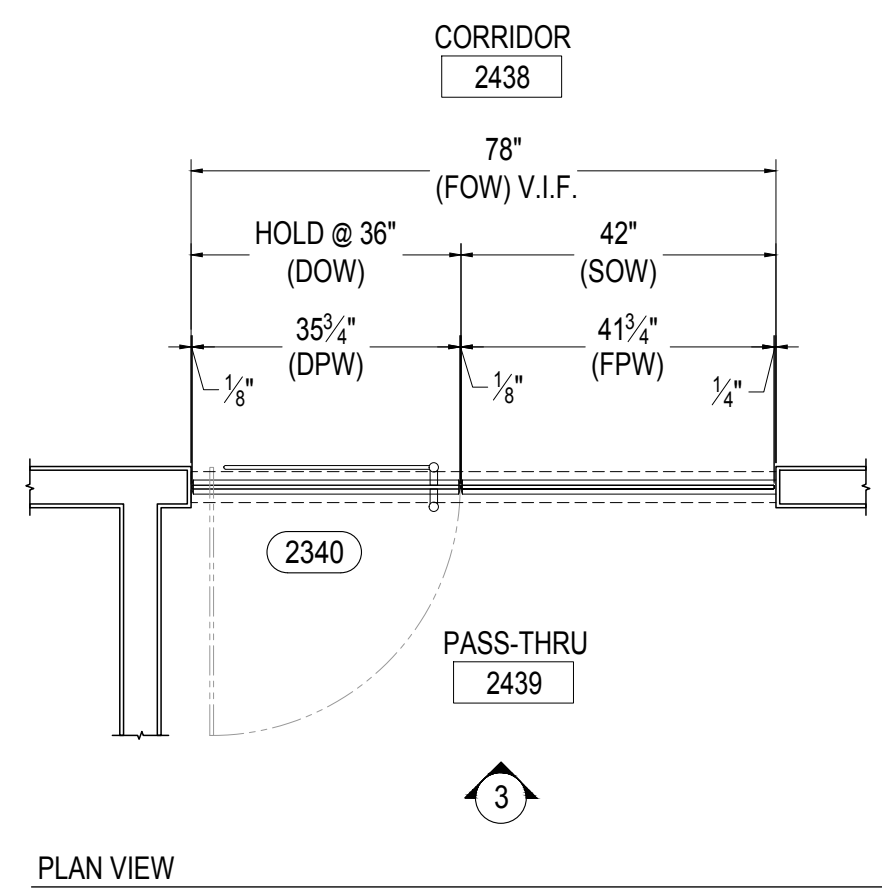
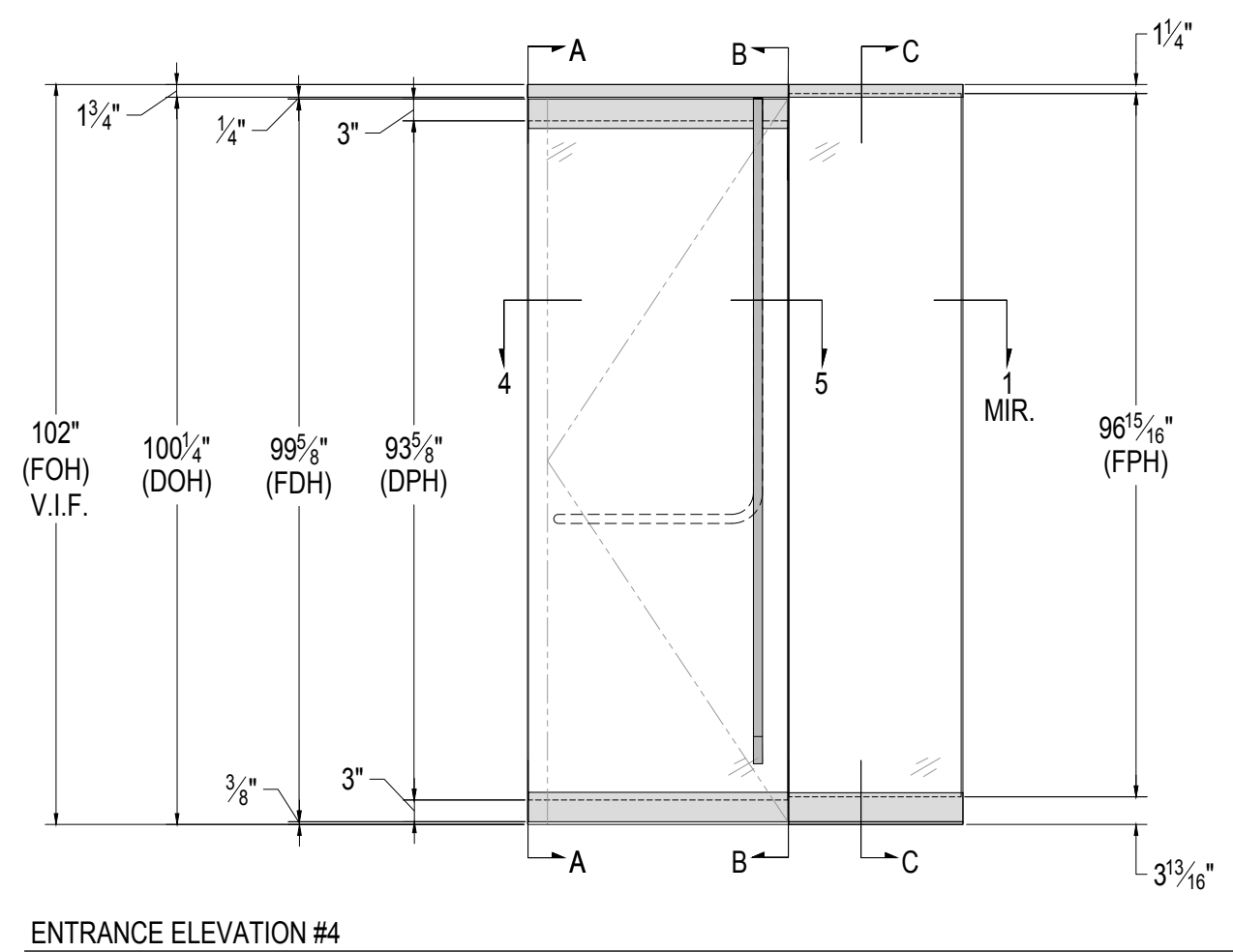
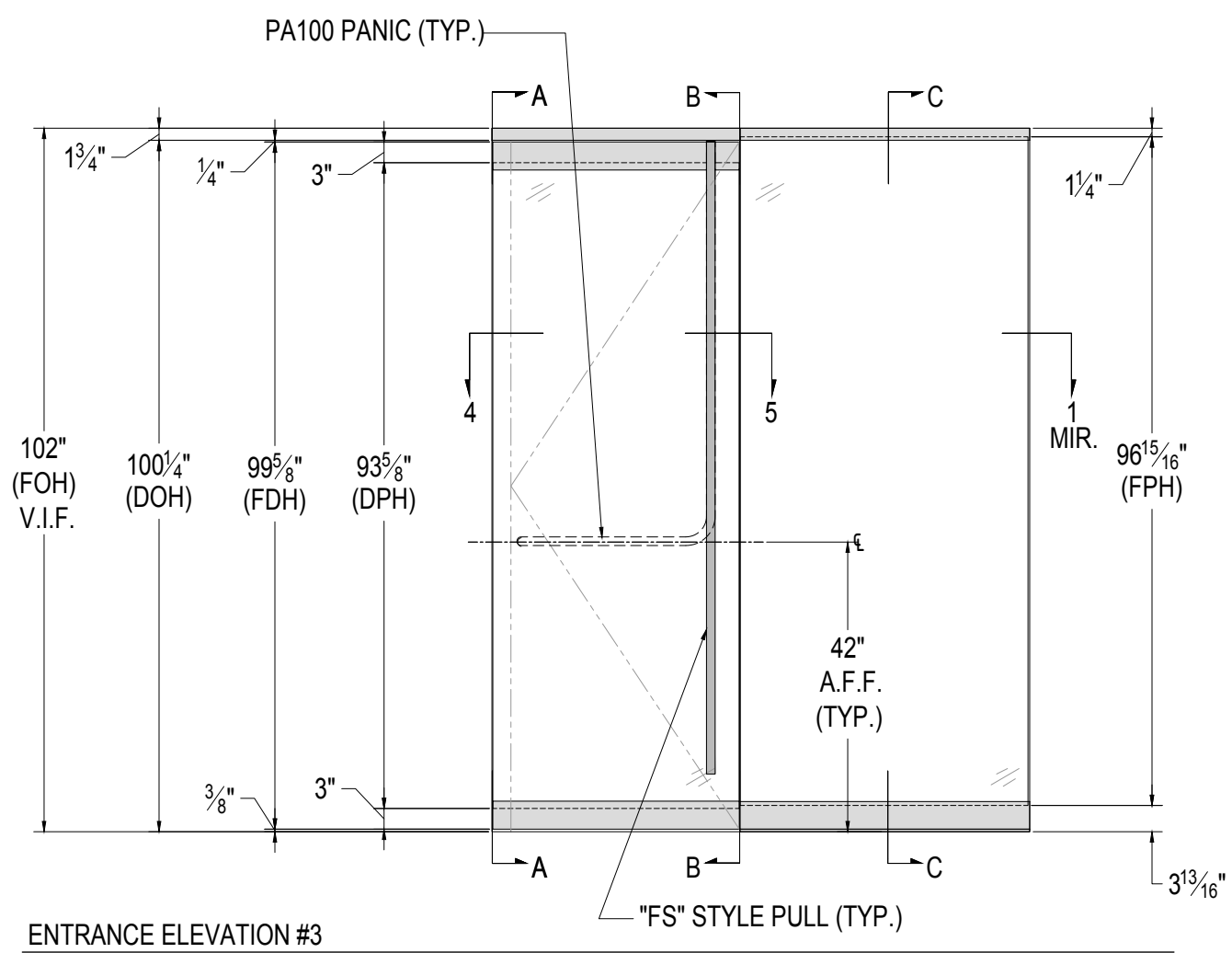


CORRIDOR
2437



REVISIONS	DESCRIPTION	
	NO.	DATE
DRAWN BY MKW		
DATE XX.XX.XX		
SHEET A1		

CLIENT LOGO



CLIENT SAMPLE DRAWING

PROJECT SAMPLE DRAWING #2

ELEVATIONS & PLAN VIEWS

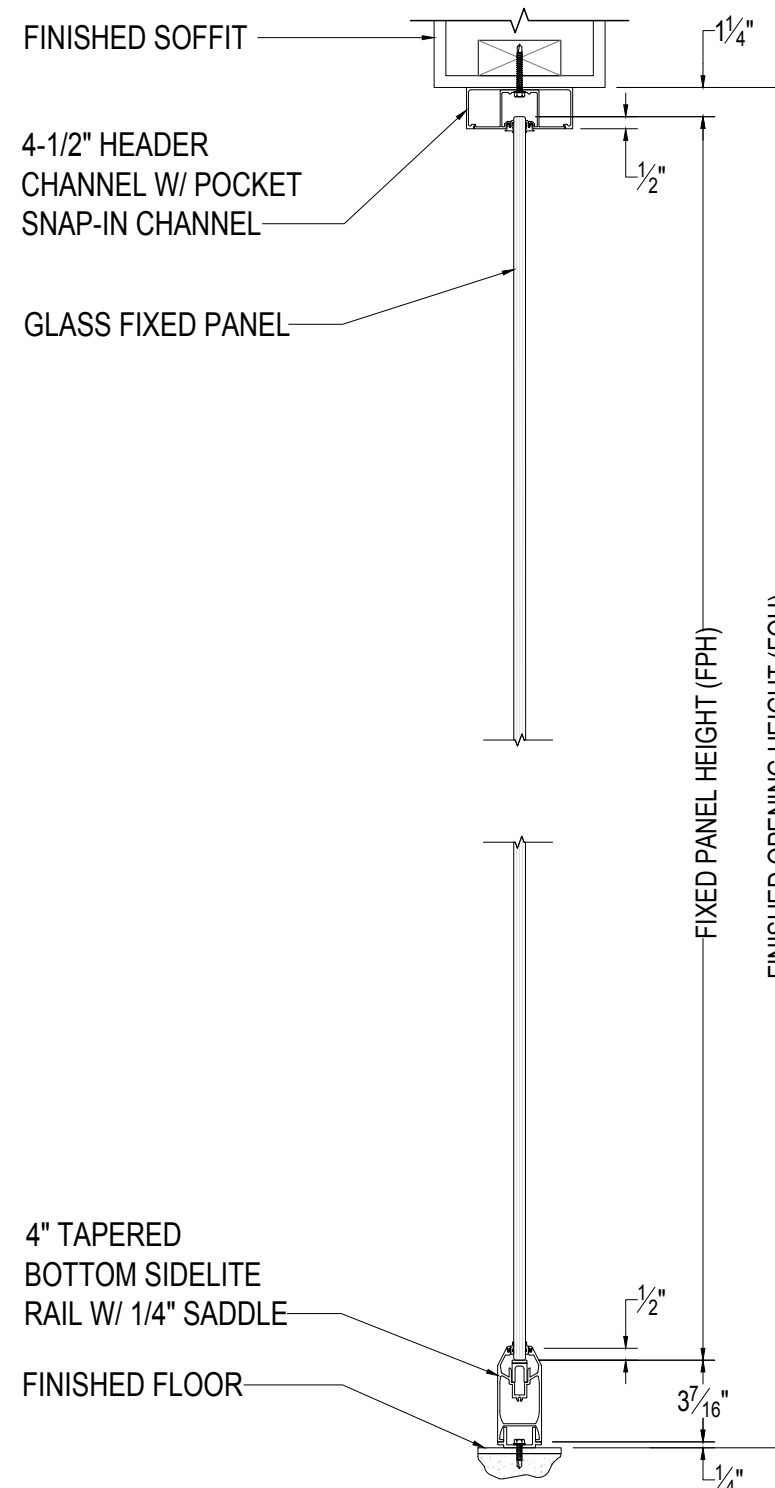
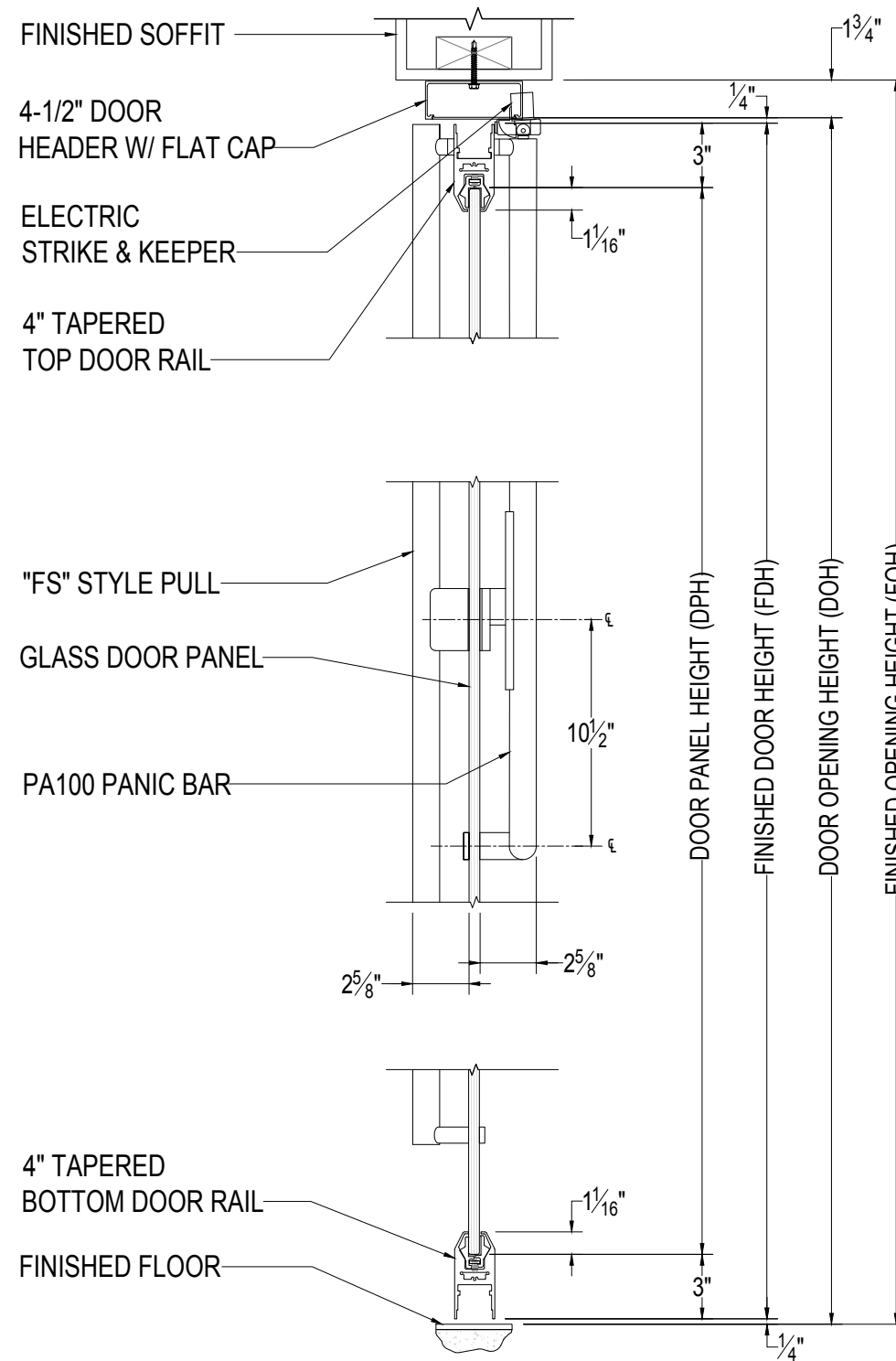
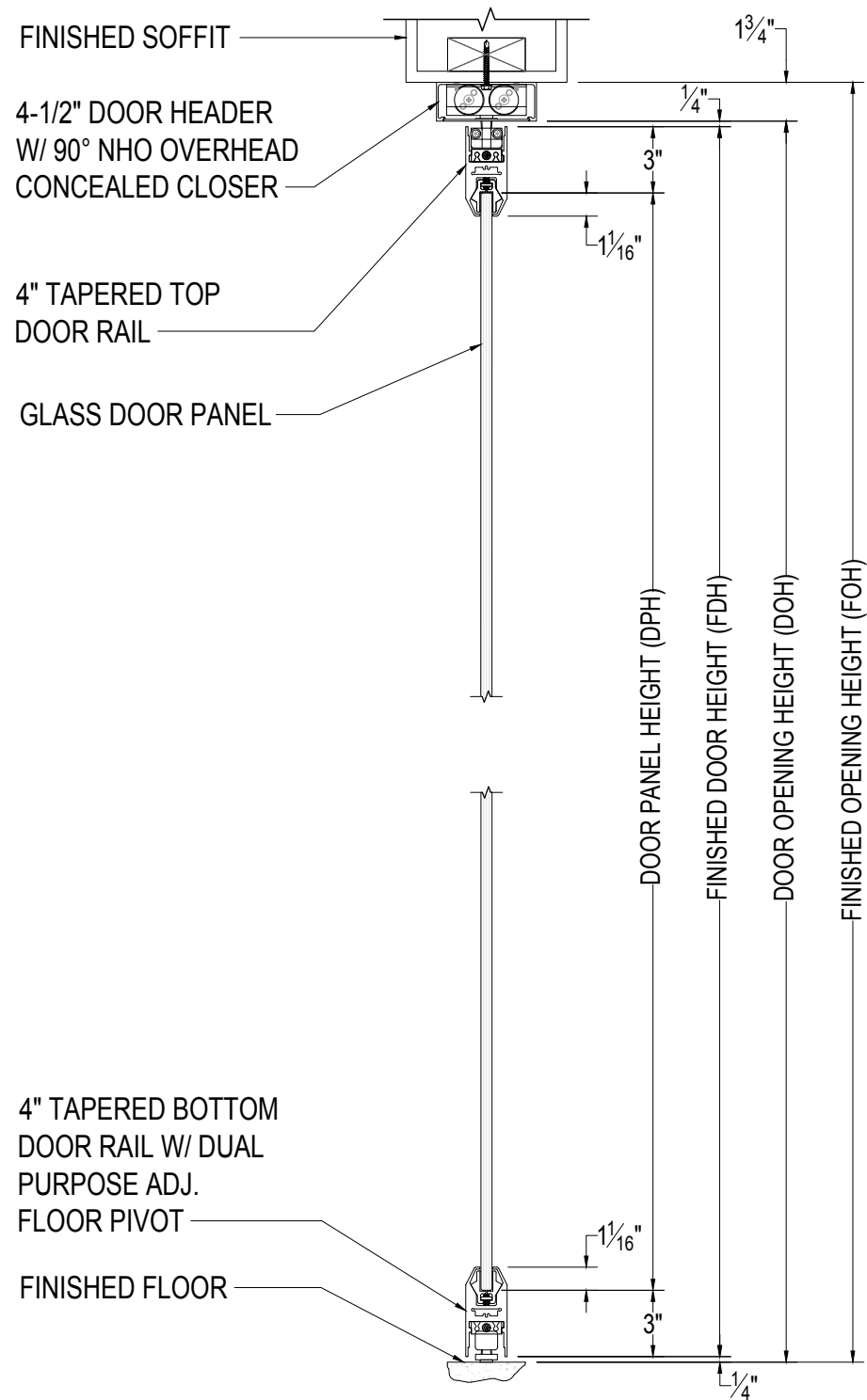
REVISIONS	DESCRIPTION	NO.		DATE	
		1	2	1	2

DRAWN BY MKW

DATE XX.XX.XX

SHEET A2

VERTICAL SECTION DETAILS
NOTE: BLOCKING & FASTENERS BY OTHERS.



A-A DOOR END VIEW @ PIVOT SIDE

B-B DOOR END VIEW @ PULL SIDE

C-C SIDELITE SECTION

CLIENT
LOGO

CLIENT
SAMPLE DRAWING
PROJECT
SAMPLE DRAWING #2
DETAILS

REVISIONS		DESCRIPTION
NO.	DATE	

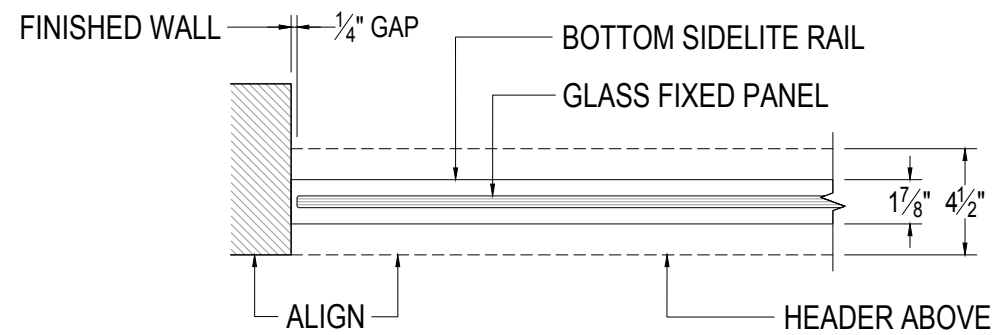
DRAWN BY
MKW

DATE
XX.XX.XX

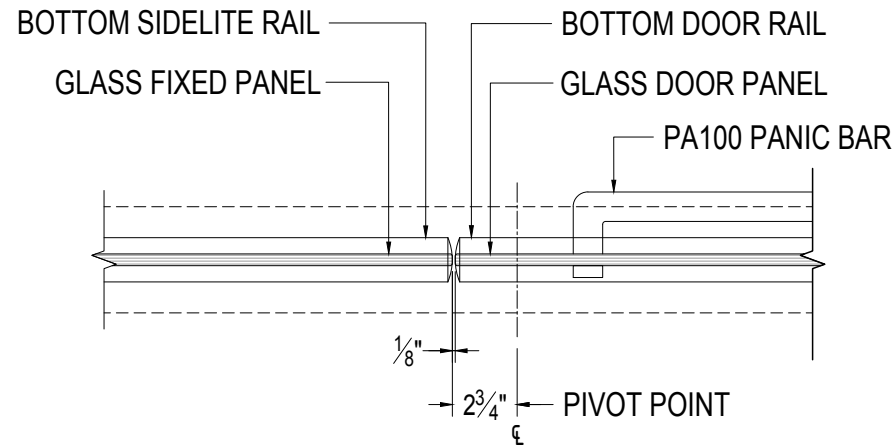
SHEET
D1

PLAN SECTION DETAILS

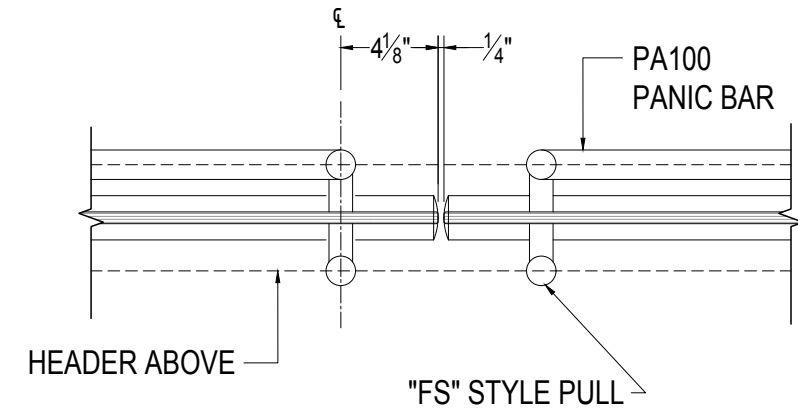
NOTE: BLOCKING & FASTENERS BY OTHERS.



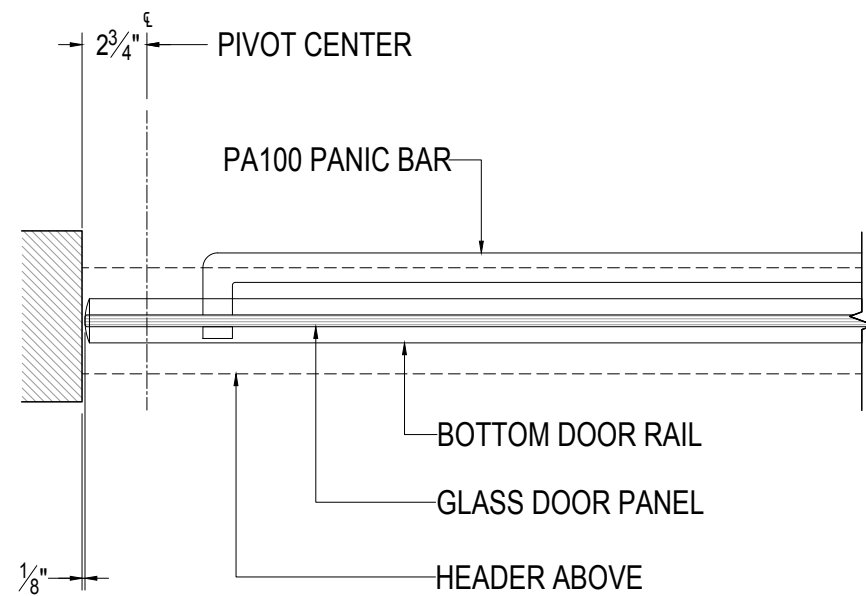
1 SIDELITE @ FINISHED WALL



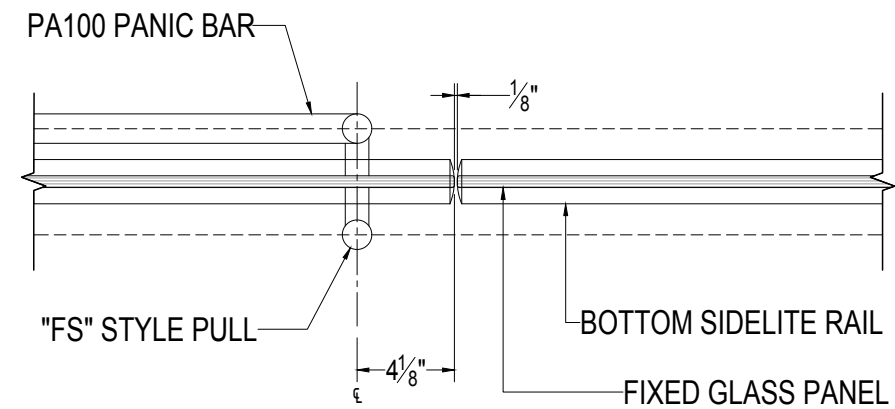
2 SIDELITE @ DOOR (PIVOT SIDE)



3 ADJACENT DOORS



4 DOOR (PIVOT SIDE) @ FINISHED WALL



5 DOOR (PULL SIDE) @ SIDELITE

CLIENT
SAMPLE DRAWING
PROJECT
SAMPLE DRAWING #2
DETAILS

REVISIONS

DESCRIPTION


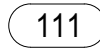

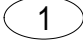

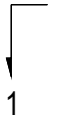
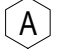
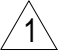
NO. DATE

DRAWN BY
MKW

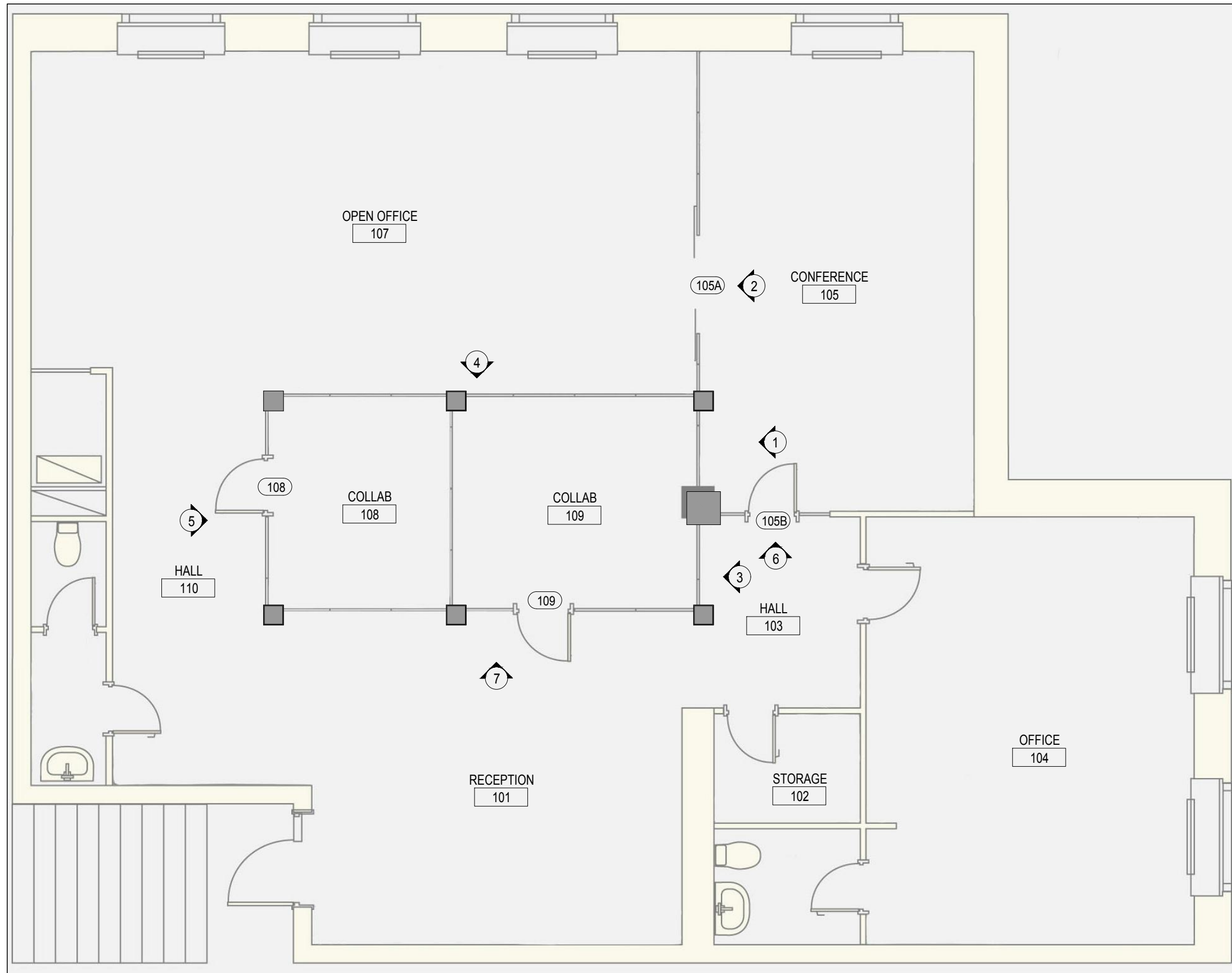
DATE
XX.XX.XX

SHEET
D2

SAMPLE DRAWING

ABBREVIATIONS	SYMBOLS	PARTS LIST	CONTACT INFORMATION																																
<p>ADJ ADJUSTABLE A.F.C. ABOVE FINISHED CEILING A.F.F. ABOVE FINISHED FLOOR B.O. BOTTOM OF BTB BACK TO BACK C/L CENTER LINE COW CLEAR OPENING WIDTH DIA. DIAMETER DLO DAYLIGHT OPENING HEIGHT DOH DOOR OPENING HEIGHT DOW DOOR OPENING WIDTH DPH DOOR PANEL HEIGHT DPW DOOR PANEL WIDTH ELEV. ELEVATION FDH FINISHED DOOR HEIGHT F.F. FINISHED FLOOR FOH FINISHED OPENING HEIGHT FOW FINISHED OPENING WIDTH FPH FIXED PANEL HEIGHT FPW FIXED PANEL WIDTH G.C. GENERAL CONTRACTOR L.P. LONG POINT MIR. MIRRORED HO HOLD OPEN NHO NON HOLD OPEN REV. REVISION R.O.H. ROUGH OPENING HEIGHT R.O.W. ROUGH OPENING WIDTH ROT. ROTATED SOW SIDELITE OPENING WIDTH SPH SLIDING PANEL HEIGHT SPW SLIDING PANEL WIDTH T.O. TOP OF TOH TRANSOM OPENING HEIGHT TOW TRANSOM OPENING WIDTH TPH TRANSOM PANEL HEIGHT TPW TRANSOM PANEL WIDTH TYP. TYPICAL V.I.F. VERIFY IN FIELD W/ WITH</p>	<p> ELEVATION</p> <p> DOOR NUMBER</p> <p> VERTICAL SECTION DETAIL</p> <p> HORIZONTAL SECTION DETAIL</p> <p> VERTICAL SECTION CUT</p> <p> PLAN SECTION CUT</p> <p> GLASS PANEL IDENTIFIER</p> <p> REVISION</p>	<p>MANUFACTURER: DORMA FINISH: CLEAR ANODIZED (101)</p> <ul style="list-style-type: none"> · 4-1/8" SINGLE DOOR HEADER W/ RTS88 OVERHEAD CONCEALED DOOR CLOSER 90° NHO · PT-22 TOP PATCH FITTING · PT-10 BOTTOM PATCH FITTING W/ 355.5 FLOOR PIVOT · AR20 PATCH LOCK · 4-1/8" DRI-FIT® SIDELITE HEADER W/ GLAZING POCKET · 1" x 1" DRI-FIT® BOTTOM U-CHANNEL · POLYCARBONATE GLAZING STRIPS · MUTO PREMIUM XL150 MANUAL SLIDING DOOR SYSTEM <p>MANUFACTURER: ASSA ABLOY FINISH: SATIN STAINLESS</p> <ul style="list-style-type: none"> · ROCKWOOD RM3301 - MEGATEK 60" BACK-TO-BACK NON-LOCKING LADDER PULLS · ROCKWOOD 441 - LOW DOME STOP 	<p>CONTACT: CONTACT'S NAME TITLE: CONTACT'S TITLE EMAIL: CONTACT'S EMAIL CELL: CONTACT'S CELL PHONE OFFICE: CONTACT'S OFFICE PHONE FAX: CONTACT'S FAX ADDRESS: CONTACT'S ADDRESS CITY, STATE, ZIP: CONTACT'S CITY, STATE, ZIP</p>																																
<u>NOTES</u>			<p style="text-align: center;"><u>SYSTEM INFORMATION</u></p> <p>GLASS TYPE: 1/2" CLEAR TEMPERED</p> <p>TOTAL NUMBER OF SHEETS: 8</p>																																
<p>ALL STRUCTURAL FRAMING BY OTHERS. GENERAL CONTRACTOR TO PROVIDE SURROUNDING CONDITIONS SUFFICIENT TO WITHSTAND LOADS IMPOSED BY THE GLASS ENTRANCE SYSTEM.</p> <p>CLIENT ASSUMES NO RESPONSIBILITY FOR ERRORS RESULTING FROM THE USE OF THESE DRAWINGS BY OTHER TRADES.</p> <p>FINAL APPROVAL CONSTITUTES ACCEPTANCE OF ALL FINISHES, CONNECTIONS, DIMENSIONS AND DEVIATIONS DETAILED ON THESE DRAWINGS. ALL DIMENSIONS MUST BE FIELD VERIFIED.</p> <p>THESE APPLICATION DRAWINGS REPRESENT OUR INTERPRETATION OF THE APPLICATION OF ALL-GLASS ENTRANCE SYSTEM PRODUCTS TO THIS PROJECT IN FUNCTIONAL COMPLIANCE WITH THE ARCHITECTS DRAWINGS & SPECIFICATIONS. APPLICATION DRAWINGS ARE TO BE REVIEWED DIMENSIONALLY & FUNCTIONALLY WITH RESPECT TO ACTUAL ARCHITECT'S INTENT, INTERFACING CONDITIONS & MATERIALS, AND JOBSITE CONDITIONS.</p> <p>ALL SETTING BLOCKS, SPACERS BLOCKS, MOUNTING BOLTS, SCREWS, ANCHORS, AND GLASS FILM (IF APPLICABLE) ARE BY OTHERS.</p>			<table border="1"> <tr> <td rowspan="4" style="writing-mode: vertical-rl; transform: rotate(180deg);">DESCRIPTION</td> <td></td> <td></td> <td></td> <td></td> </tr> <tr> <td style="writing-mode: vertical-rl; transform: rotate(180deg);">DATE</td> <td></td> <td></td> <td></td> </tr> <tr> <td style="writing-mode: vertical-rl; transform: rotate(180deg);">REV BY</td> <td></td> <td></td> <td></td> </tr> <tr> <td style="writing-mode: vertical-rl; transform: rotate(180deg);">DATE</td> <td></td> <td></td> <td></td> </tr> <tr> <td colspan="5" style="text-align: center;">DATE XX.XX.XX</td> </tr> <tr> <td colspan="5" style="text-align: center;">DRAWN BY MKW</td> </tr> <tr> <td colspan="5" style="text-align: center;">SHEET C1</td> </tr> </table>	DESCRIPTION					DATE				REV BY				DATE				DATE XX.XX.XX					DRAWN BY MKW					SHEET C1				
DESCRIPTION																																			
	DATE																																		
	REV BY																																		
	DATE																																		
DATE XX.XX.XX																																			
DRAWN BY MKW																																			
SHEET C1																																			

REFERENCE FLOOR PLAN

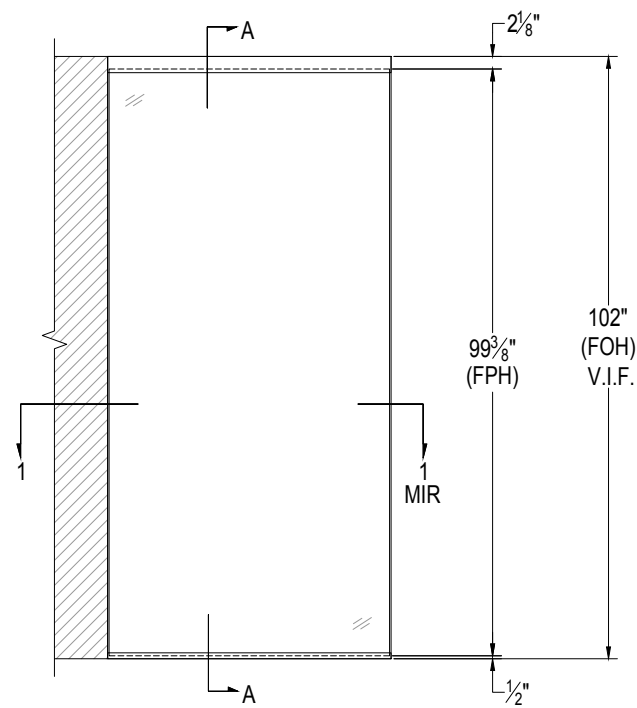


CLIENT
LOGO

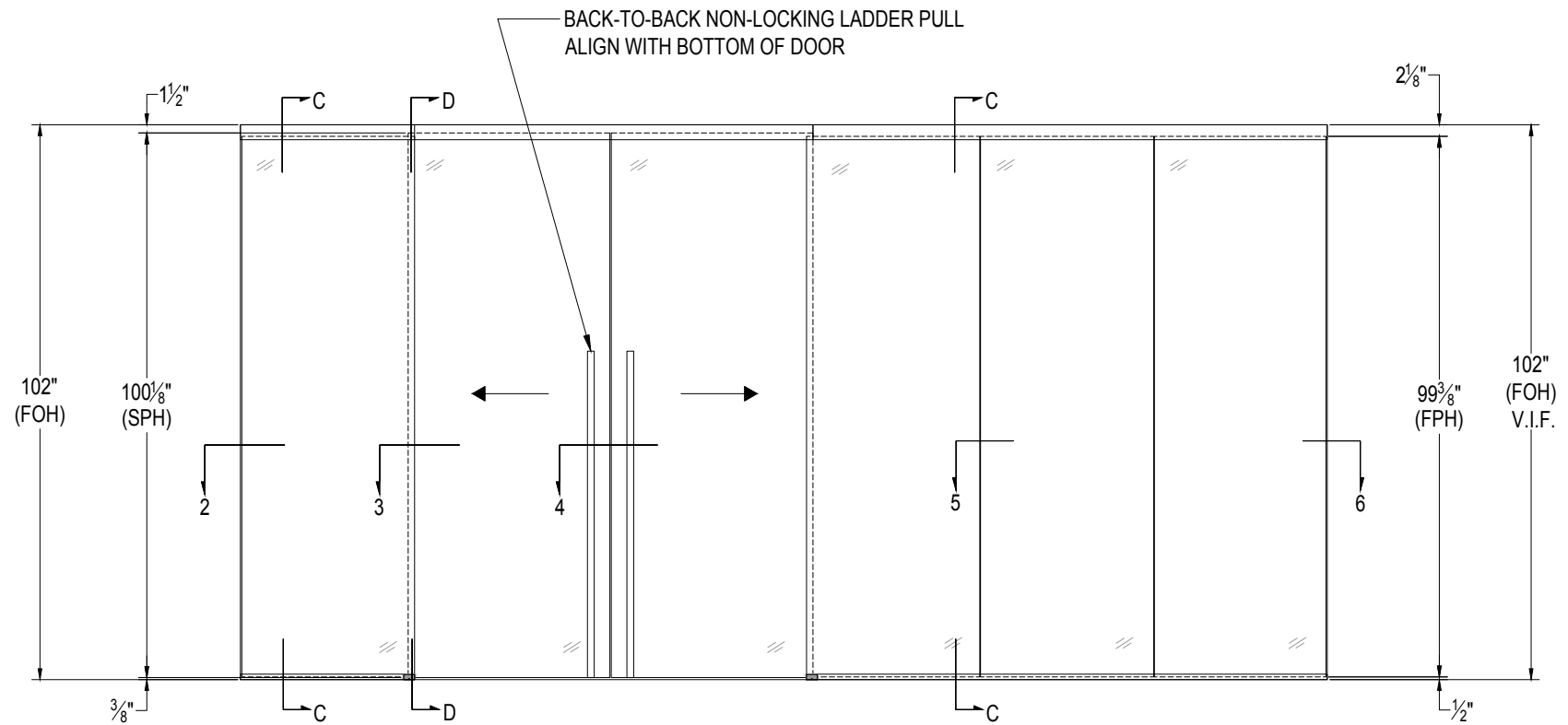
SAMPLE DRAWING #3
ALL GLASS ENTRANCE SYSTEMS
REFERENCE FLOOR PLAN

REV BY	DATE	DESCRIPTION

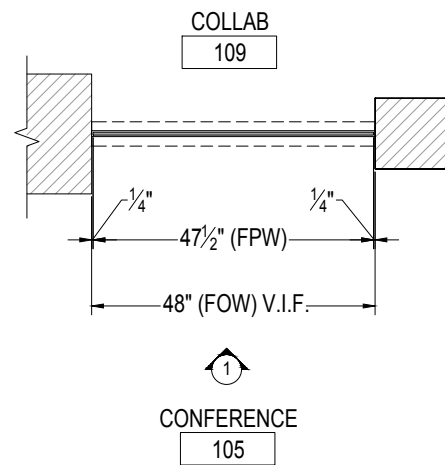
DATE
XX.XX.XX
DRAWN BY
MKW
SHEET
R1



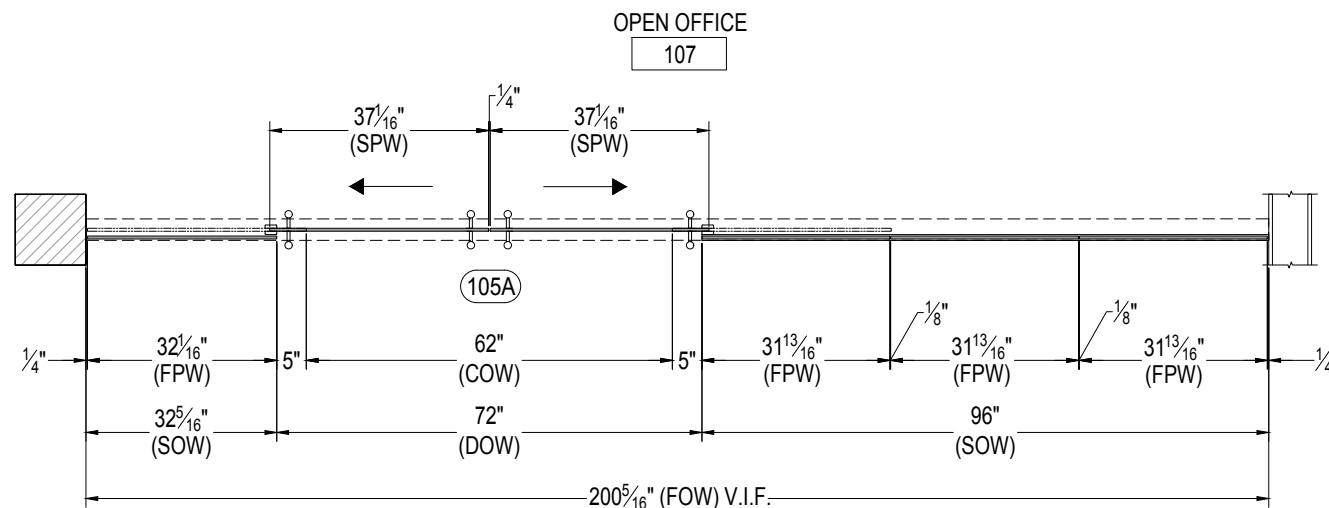
ELEVATION 1 - COLLAB 109 / CONFERENCE 105



ELEVATION 2 - OPEN OFFICE 107 / CONFERENCE 105



PLAN VIEW



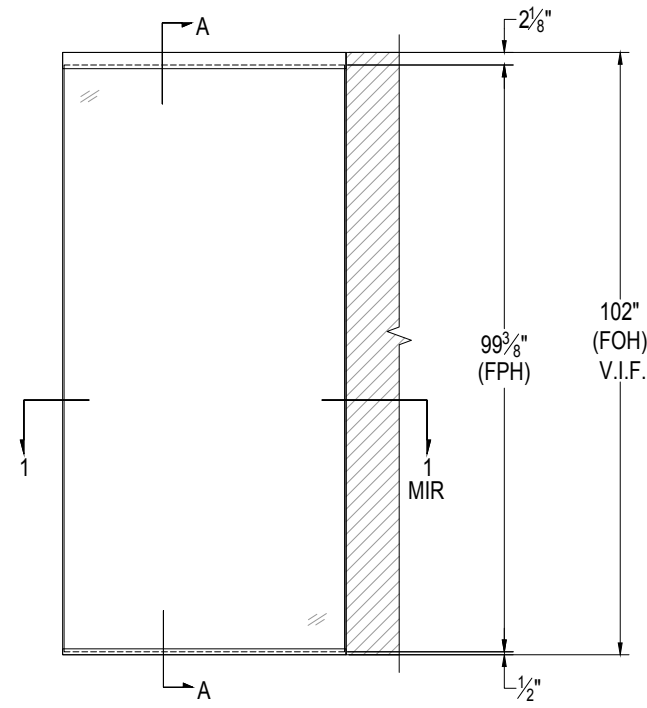
PLAN VIEW

REV BY DATE DESCRIPTION

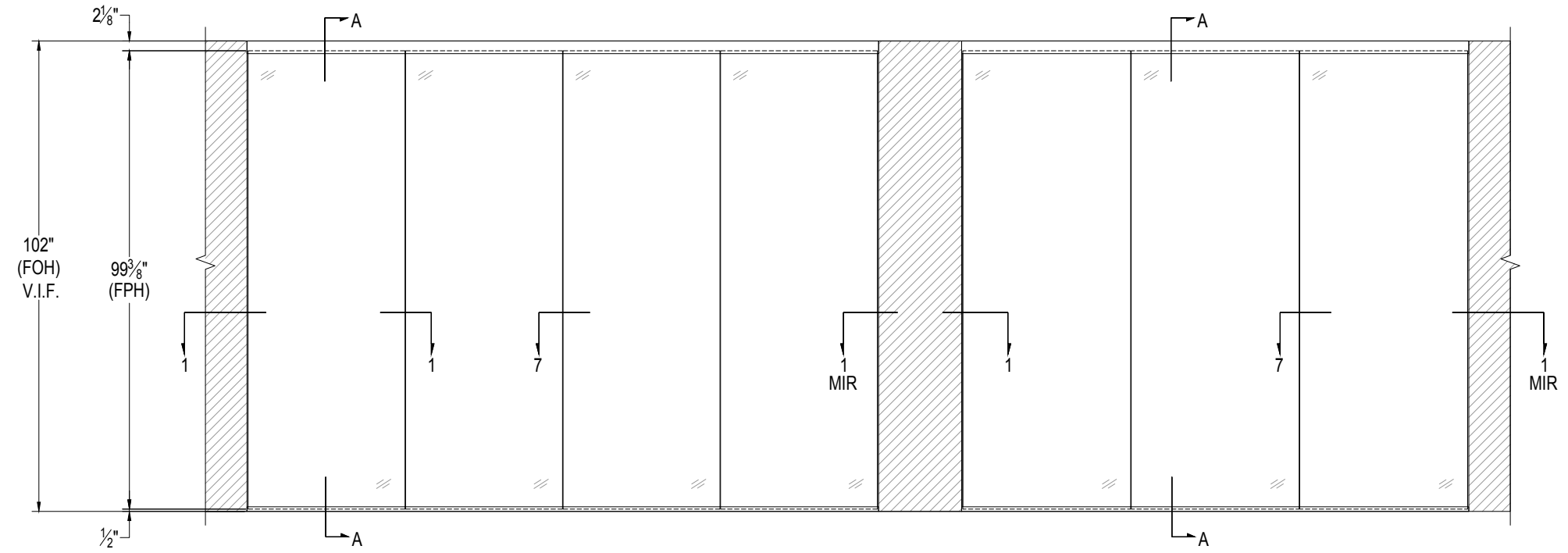
DATE
XX.XX.XX

DRAWN BY
MKW

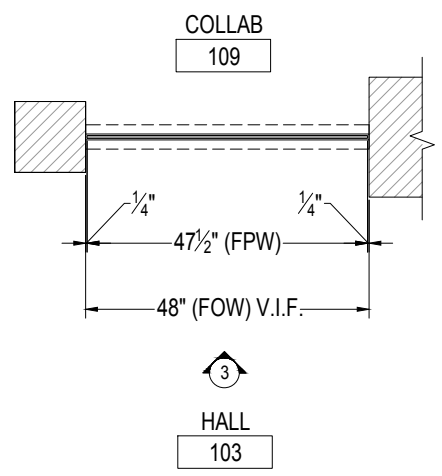
SHEET
A1



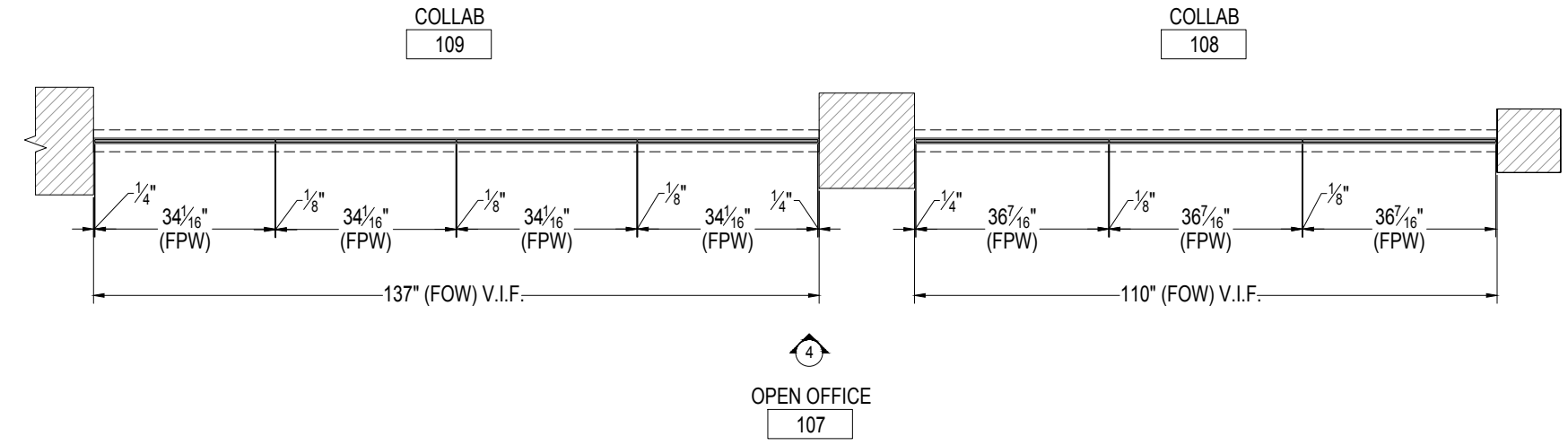
ELEVATION 3 - COLLAB 109 / HALL 103



ELEVATION 4 - COLLABS 109 & 108 / OPEN OFFICE 107



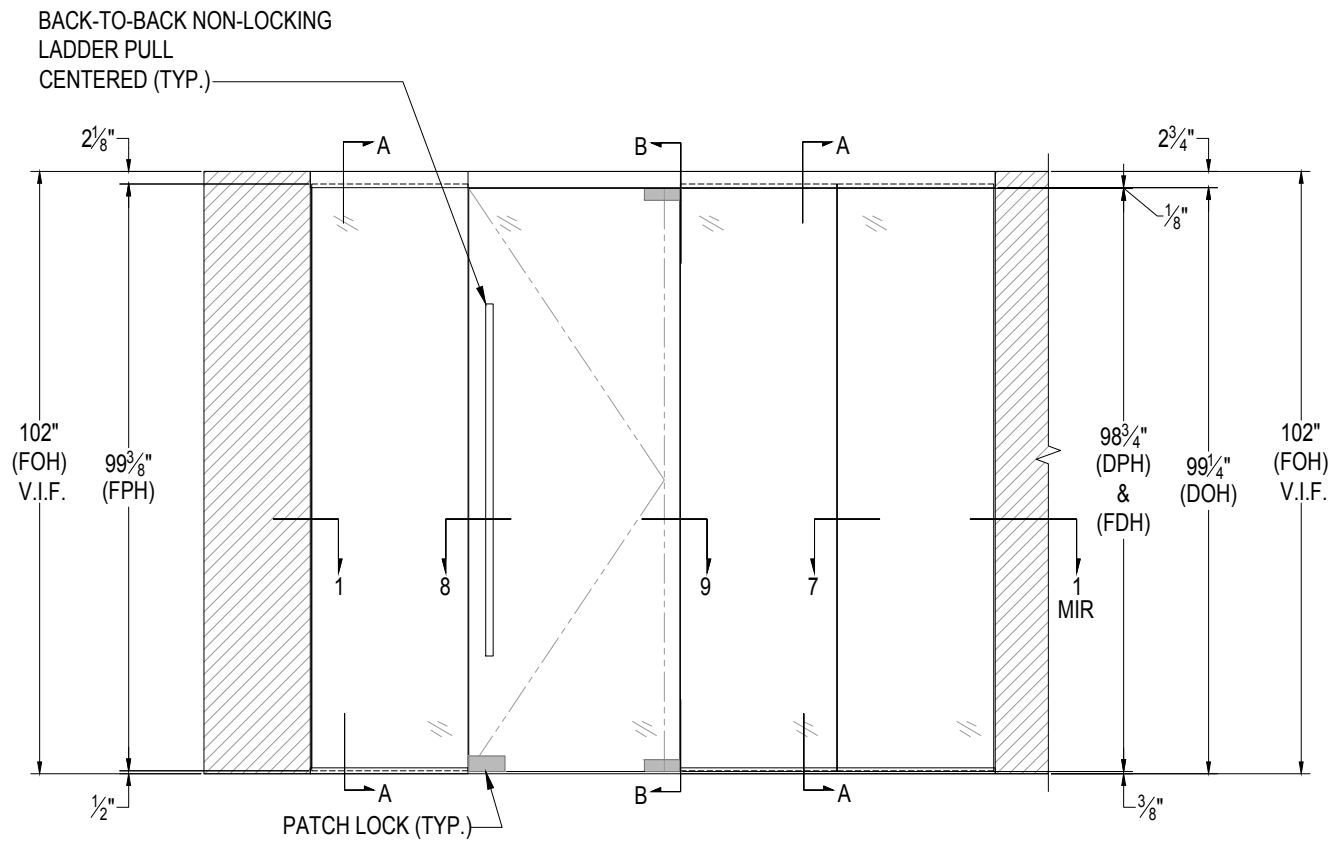
PLAN VIEW



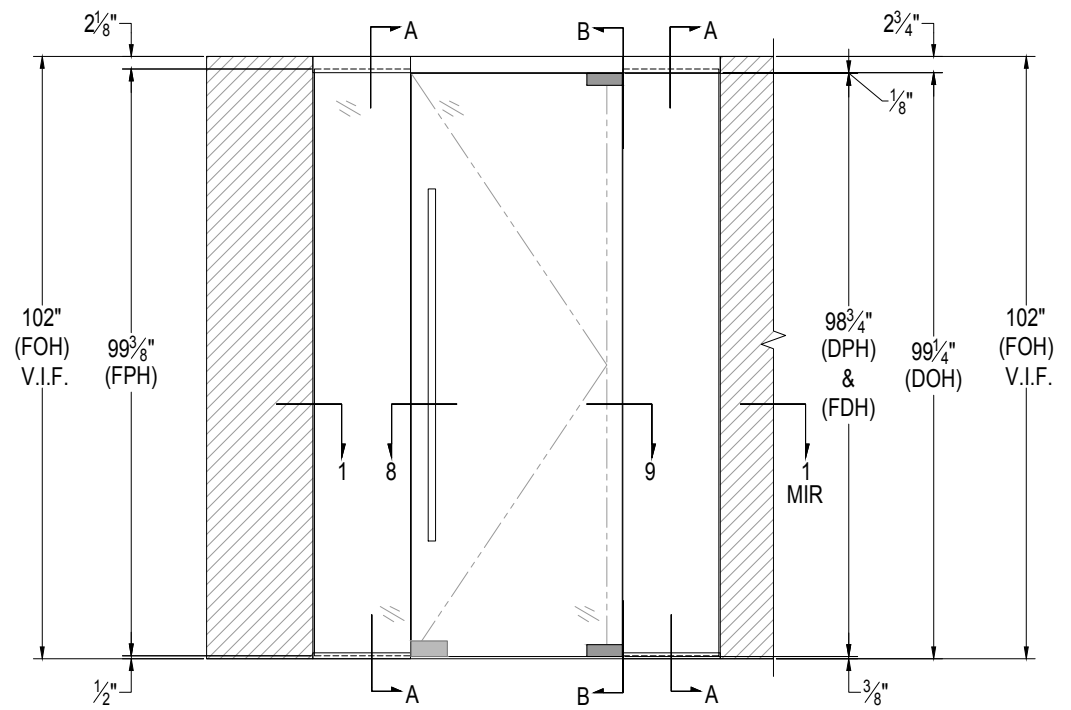
PLAN VIEW

REV BY	DATE	DESCRIPTION

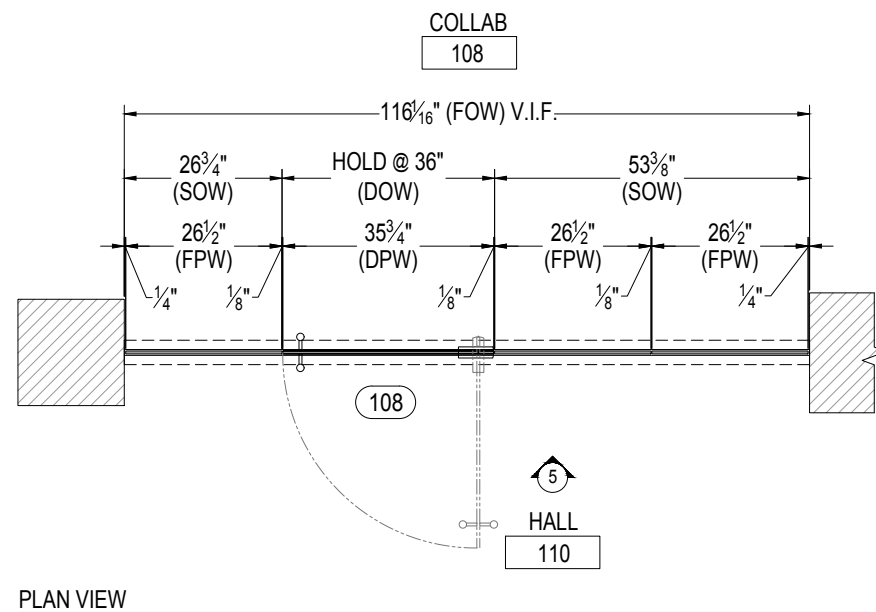
DATE XX.XX.XX
DRAWN BY MKW
SHEET A2



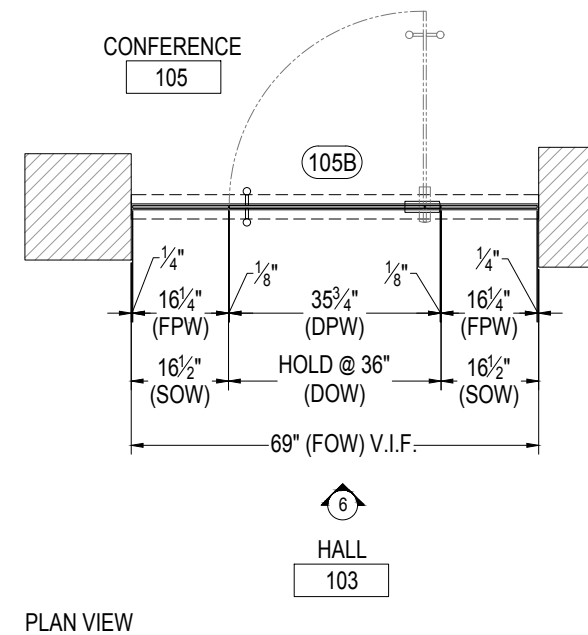
ELEVATION 5 - COLLAB 108 / HALL 110



ELEVATION 6 - CONFERENCE 105 / HALL 103



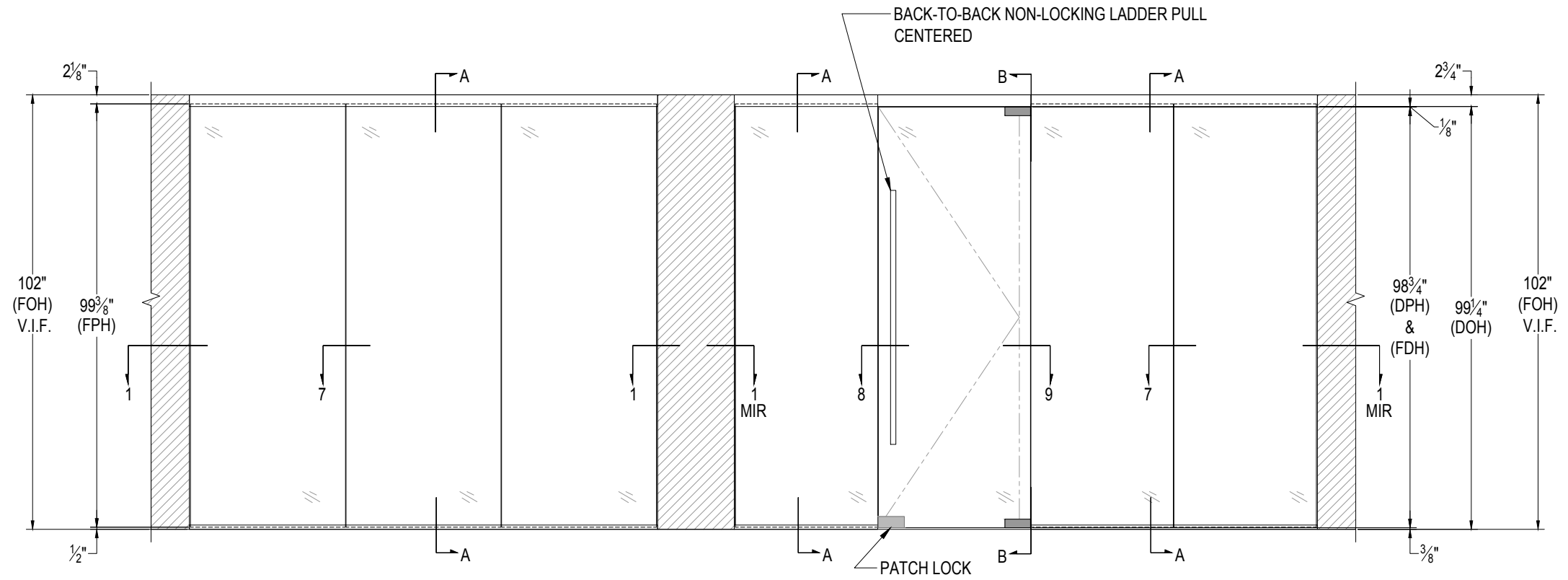
PLAN VIEW



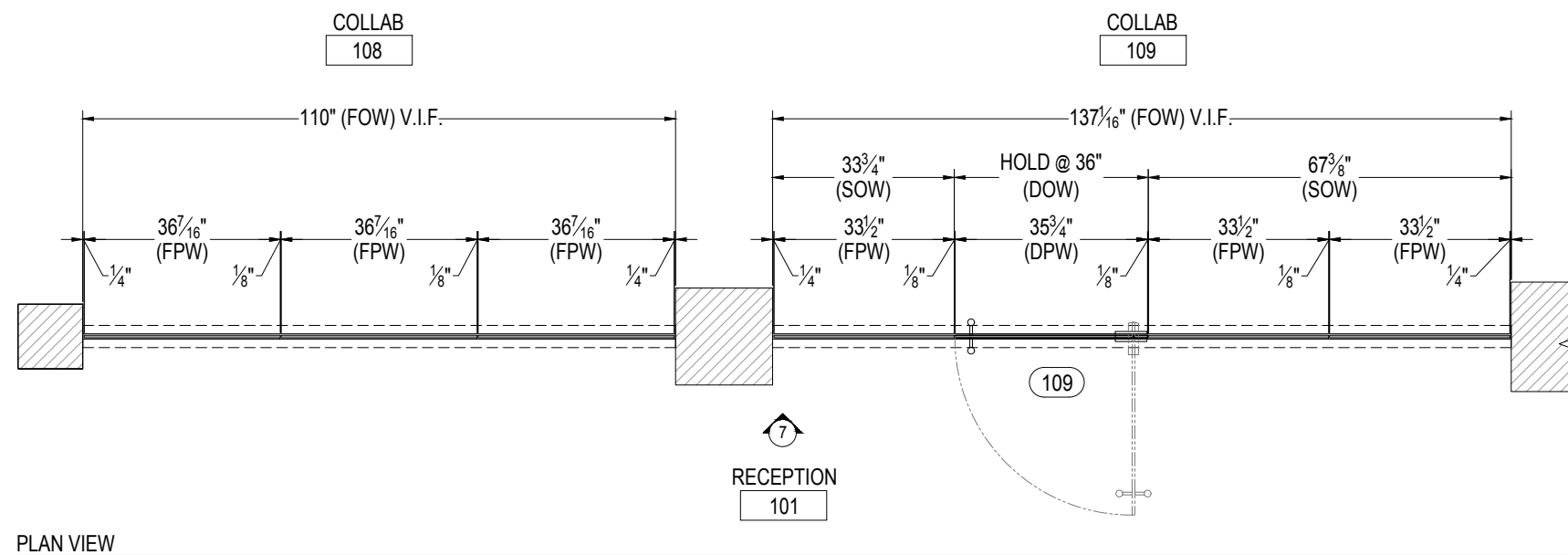
PLAN VIEW

REV BY DATE DESCRIPTION

DATE
XX.XX.XX
DRAWN BY
MKW
SHEET
A3



ELEVATION 7 - COLLABS 108 & 109 / RECEPTION 101



PLAN VIEW

REV BY DATE DESCRIPTION

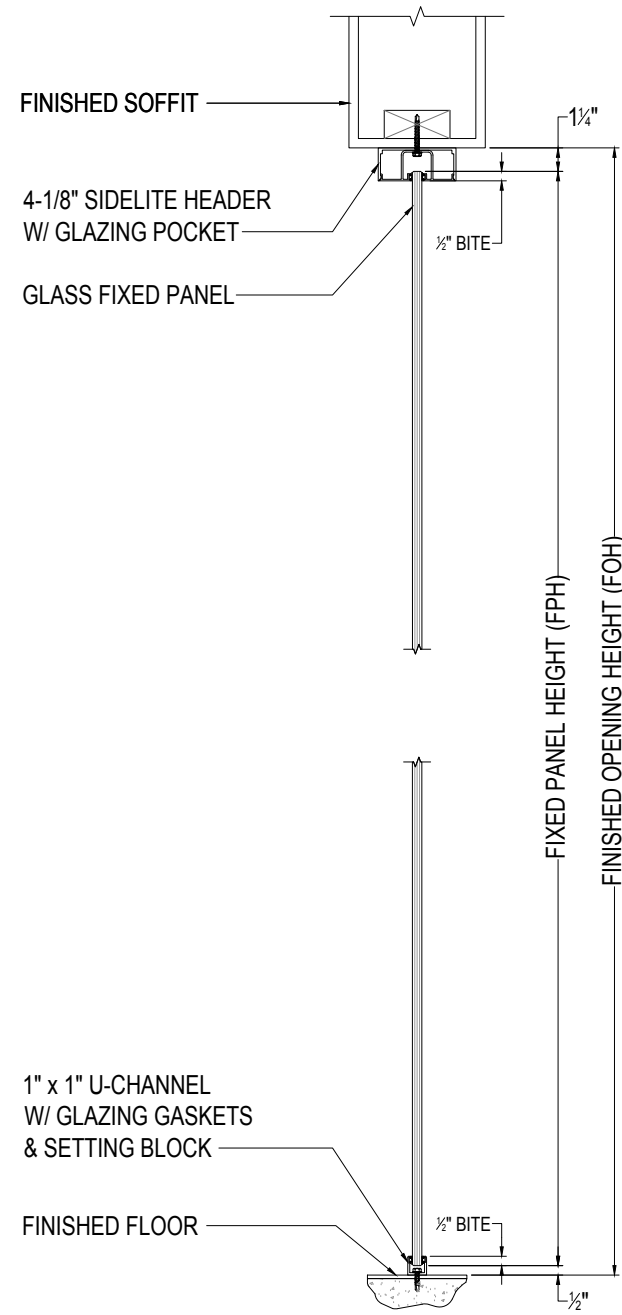
DATE
XX.XX.XX

DRAWN BY
MKW

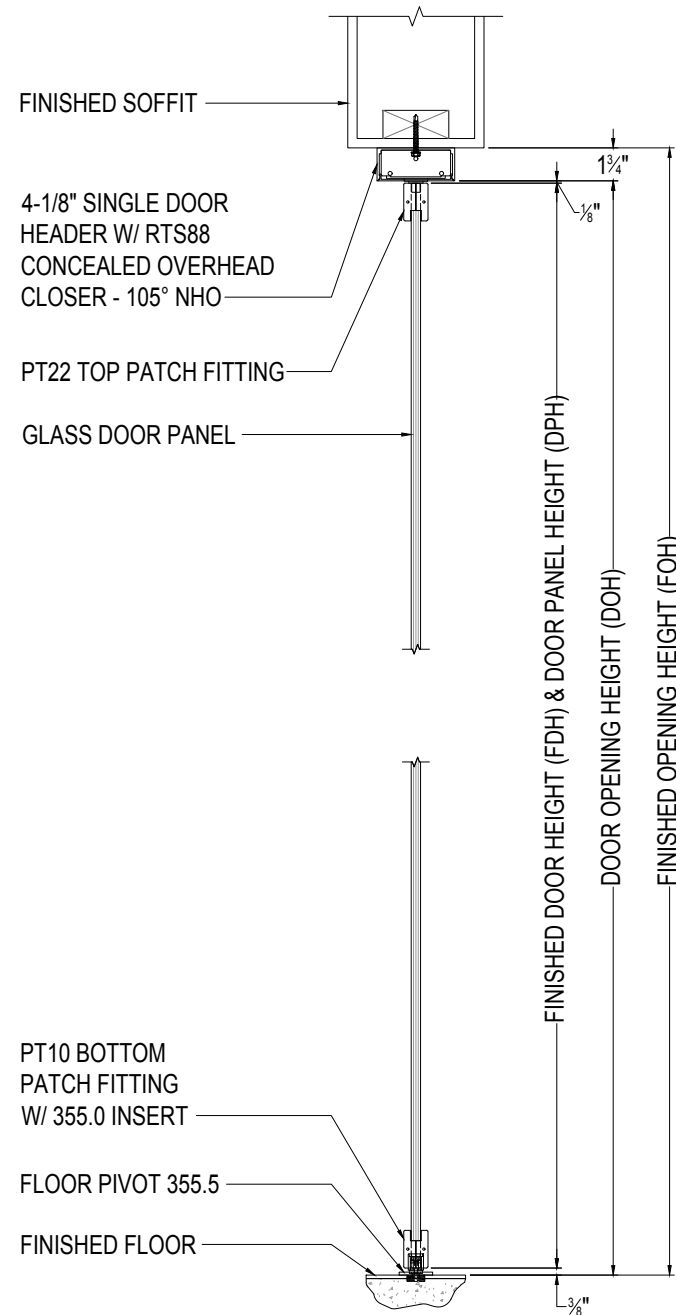
SHEET
A4

VERTICAL SECTION DETAILS

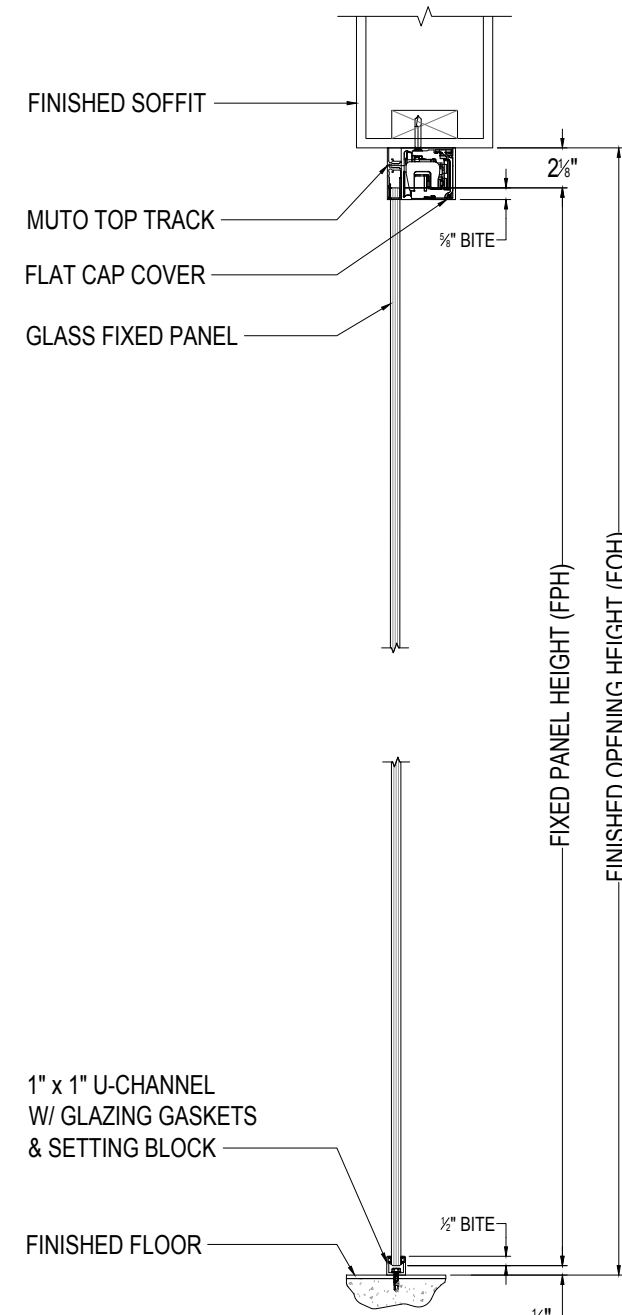
NOTE: ALL BLOCKING & FASTENERS BY OTHERS.



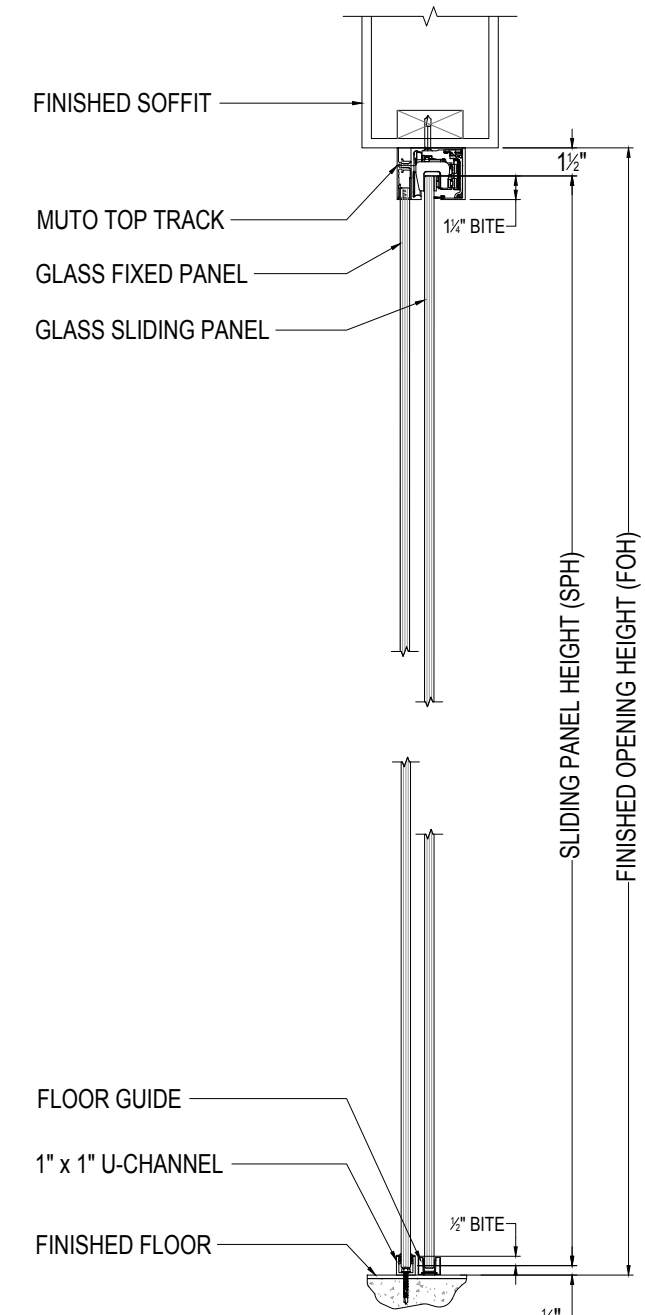
(A-A) SIDELITE SECTION



(B-B) DOOR END VIEW (PIVOT SIDE)



(C-C) SIDELITE SECTION



(D-D) SLIDING PANEL @ FIXED PANEL SECTION

SAMPLE DRAWING #3
ALL GLASS ENTRANCE SYSTEMS
DETAILS

REV BY	DATE	DESCRIPTION

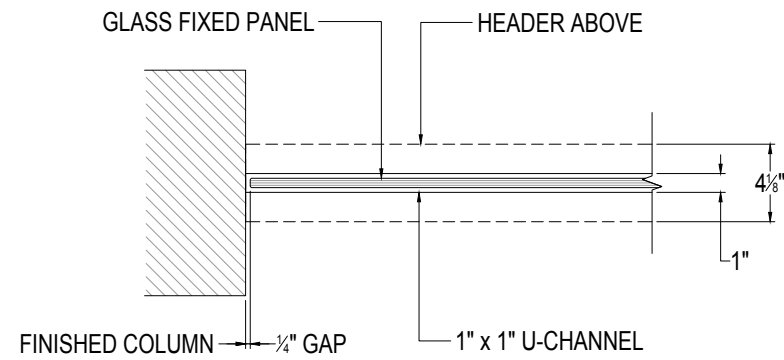
DATE
XX.XX.XX

DRAWN BY
MKW

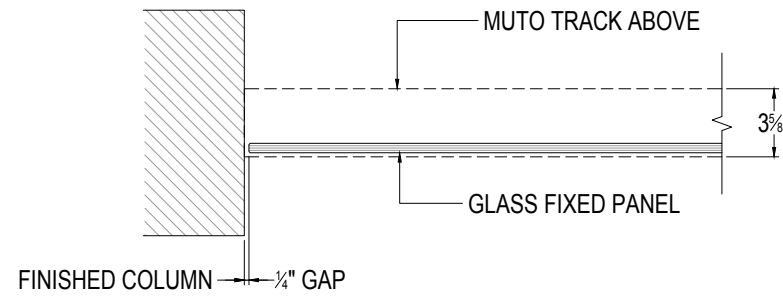
SHEET
D1

PLAN SECTION DETAILS

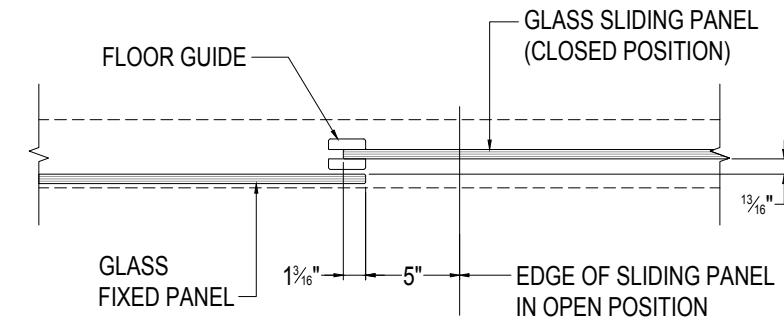
NOTE: ALL BLOCKING & FASTENERS BY OTHERS.



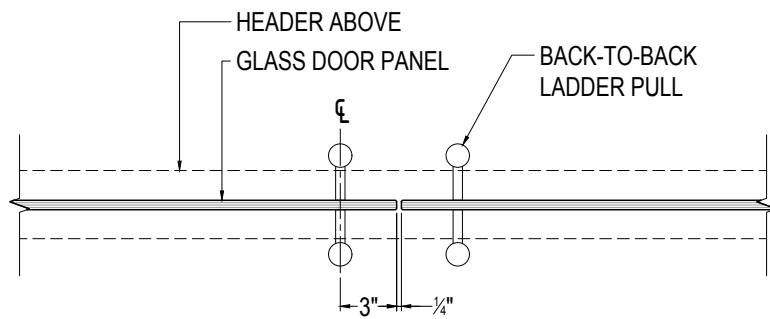
1 SIDELITE @ FINISHED COLUMN



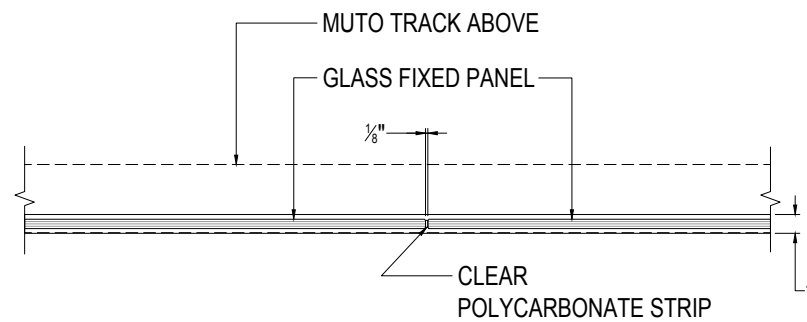
2 SIDELITE @ FINISHED COLUMN



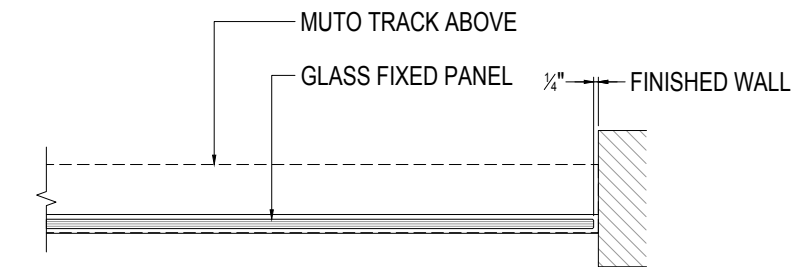
3 FIXED PANEL @ SLIDING PANEL



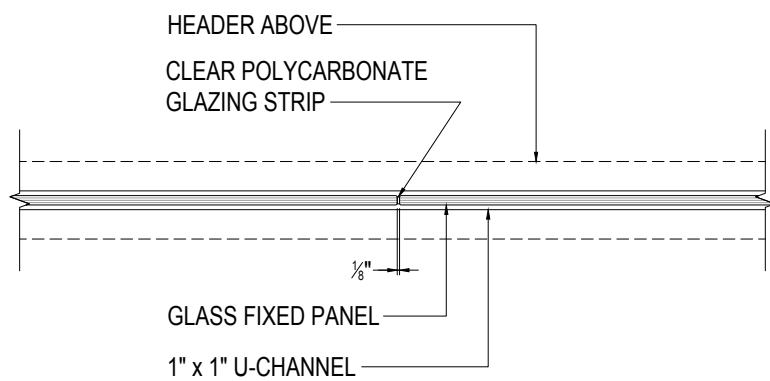
4 ADJACENT SLIDING DOORS



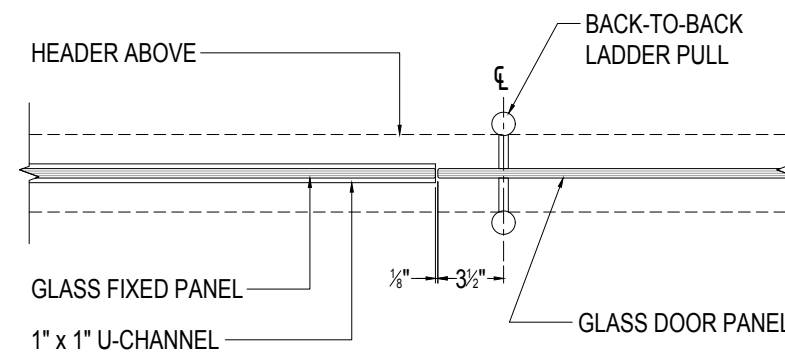
5 ADJACENT FIXED PANELS



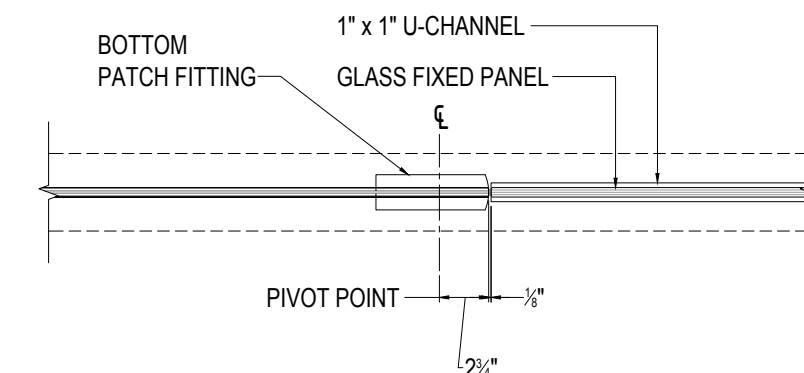
6 MUTO SIDELITE @ FINISHED WALL



7 SIDELITE - ADJACENT FIXED PANELS



8 SIDELITE @ DOOR (PULL SIDE)



9 DOOR (PIVOT SIDE) @ SIDELITE

REV BY DATE DESCRIPTION

DATE
XX.XX.XX

DRAWN BY
MKW

SHEET
D2