

DK4

1/9 4WD DESERT RALLY

1/9 DESERT RALLY



BLAZE

- All Composite Parts Manufactured By XRAY In Europe

POWERED BY:

SURRC



Introduction

Blaze DK4 is a professional, high quality 1/9 Electric 4WD Desert Rally. Your DK4 is a pre-assembled car which will provide you with a daring radio-controlled experience. The born of DK4 is started from an idea, to combine a highest-quality composite part (from Xray. s.r.o), with other good materials and aluminum parts put together. Under this, it will offer you a great RC experience and also raise up more excitement but still on an affordable price. We sincerely wish you have a lot of enjoyment with DK4 no matter driving for fun or for racing and very welcome you to share your experiences with us! Just send us your driving video-links on YouTube or images and experiences on Twitter, Facebook and similar. Enjoy!!

Warnings

This product is not a toy. It is not suitable for children under 14 years of age without the direct supervision of a responsible and knowledgeable adult.

- Assemble this kit only in places away from the reach of very small children.
- Exercise care when using tools and sharp instruments and take care when building, as some parts may have sharp edges.
- Do not disassemble or modify any of the products components without the assistance of an experienced RC user. Use Replacement parts from the original manufacturer only to ensure the model is in safe operation.
- Please keep the model away from moisture and other contaminants. Electrical damage may occur and affect the safety operation.
- Immediately after using your model, do NOT touch equipment on the model such as the motor and speed controller, because they generate high temperatures. You may seriously burn yourself touching them.
- Plastic is very susceptible to damage or deformation due to extreme heat and cold climate. Do not store the model near any source of heat such as oven or heater. Keep the model indoors, in a climate-controlled, room temperature environment.
- Always turn on your transmitter before you turn on the receiver in the car. Always turn off the receiver before turning your transmitter off. If not, the car may become uncontrollable and possible cause serious damage.
- Be sure that your operating frequency is clear before turning on or running your model, and never share the same frequency with somebody else at the same time. Ensure that others are aware of the operating frequency you are using and when you are using it.
- Use a transmitter designed for ground use with RC cars. Make sure that no one else is using the same frequency as yours in your operating area. Using the same frequency at the same time, it can cause loss of control of the RC model, resulting in a serious accident.
- Keep the wheels of the model off the ground when checking the operation of the radio equipment.
- If you are in doubt of your ability to operate this model, please seek help and assistance from experienced RC users. As Manufacturer and distributors, we assume no liability for the usage of this product.
- Remove any sand, mud, dirt, grass or water before putting your model away.
- If the model behaves strangely, immediately stop the model, check and clear the problem.
- The model car is not intended for use on public places and roads or areas where its operation can conflict with or disrupt pedestrian or vehicular traffic.
- Never shorten the receiver antenna. This might affect the transmitter range of the radio system.
- To ensure the safety, do not operate/use your model near buildings, high voltage cable lines, or trees. Also, places where children and people gather, residential districts and parks, limited indoor spaces, wet conditions, areas where loud noises can disturb others are all inappropriate.
- This product is a RC hobby model. Do not use for other purpose.
- To prevent any serious personal injury and/or damage to property, please be responsible when operating all remote-controlled models.

Electrical Precautions

- Only use the correct type of battery. Any wrong type of battery will cause the products damage and dangerous.
- Low battery power will result in loss of control. Loss of control can occur due to a weak battery in either the transmitter or the receiver. Weak running battery may also result in an out of control car if your car's receiver power is supplied by the running battery. Stop operation immediately if the car starts to slow down.
- When not using RC model, always disconnect and remove battery.
- Do not disassemble battery or cut battery cables. If the running battery short-circuits, leading to fire or burns. Never disassemble battery or cut battery cables.
- Use a recommended charger for the receiver and transmitter batteries and follow the instructions correctly. Over-charging, incorrect charging, or using inferior chargers



Electrical Precautions

can cause the batteries to become dangerously hot. If battery becomes extremely hot during recharging, stop the charging immediately and disconnect the battery from the charger. Never leave the battery unattended while charging. If you are unsure of how to charge the battery, please seek help and advice from experienced RC users.

- Regularly check the charger for potential hazards such as damage to the cable, plug, casing or other defects. Modifying the charger may cause short-circuit or overcharging leading to a serious accident. Therefore, do not modify the charger.
- Always unplug charger when recharging is finished.
- Do not recharge battery while battery is still warm. After use, battery retains heat. Wait until it cools down before charging.
- Do not allow any metal part to short circuit the receiver batteries or other electrical/electronic device on the model.
- Do not operate the model under inclement weather conditions such as darkness, raining, windy, snowing and thundering. Immediately stop running if your RC model gets wet as may cause short circuit.
- Please dispose of batteries responsibly. Never put batteries into fire.

Disclaimers

Blaze-RC makes no warranties expressed or implied. Blaze-RC will not be liable for any loss, injury or damages, whether direct, indirect, special, incidental, or consequential, arising from the use, misuse, or abuse of this product and/or any product or accessory required to operate this product.

Take adequate safety precautions prior to operating this model. Disregard of the any of the above cautions may lead to accidents, personal injury, or property damage. Blaze-RC Limited assumes no responsibility for any injury, damage, or misuse of this product during assembly or operation, nor any addictions that may arise from the use of this product. All rights reserved.

Items included

- 1 x Truck Body with decals and window masks
- 1 x Buggy Body with decals and window masks
- Front and Rear Tires (Pre-assembled)

Equipment Required: (Not included)

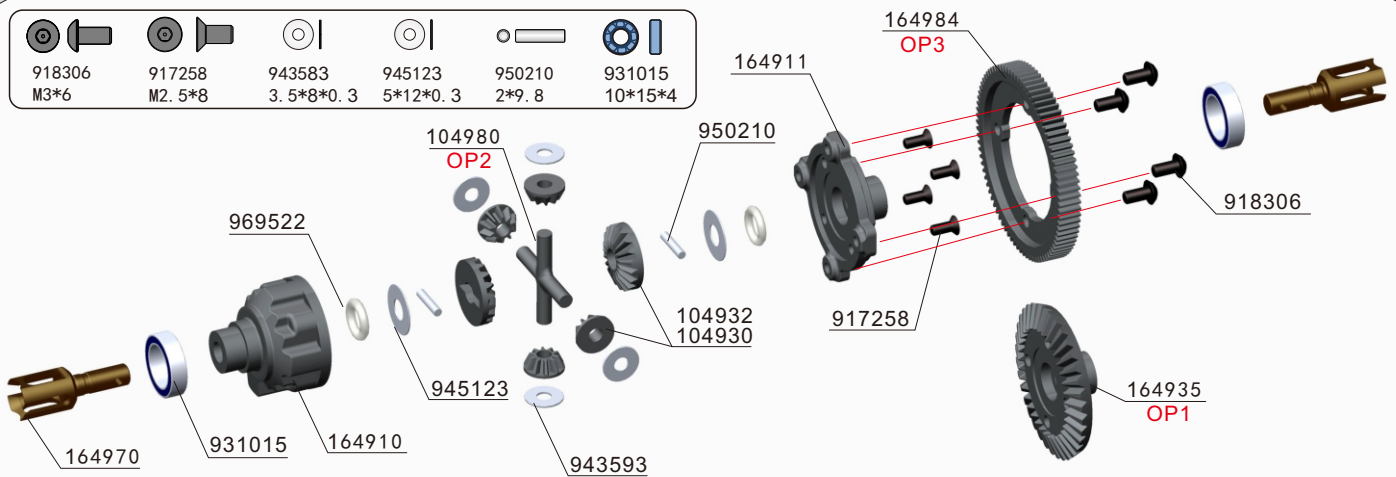
- Transmitter and Receiver
- Battery for Transmitter
- Battery Charger
- Electronic Speed Control (ESC)
- Motor
- Steering Servo
- Lipo Battery

Tools Required: (Not included)

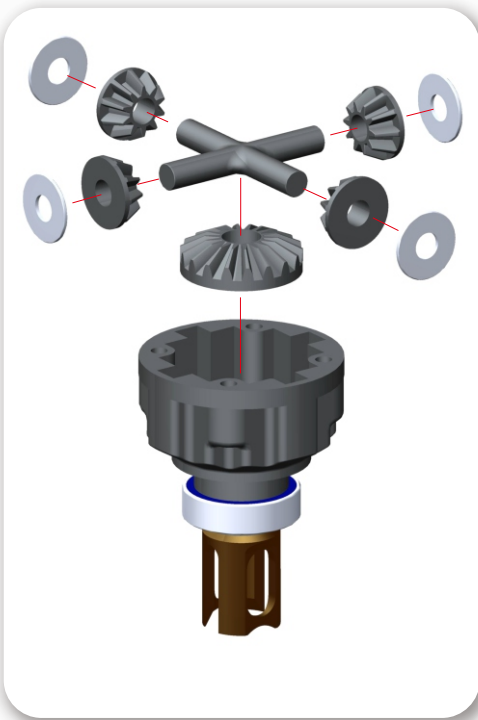
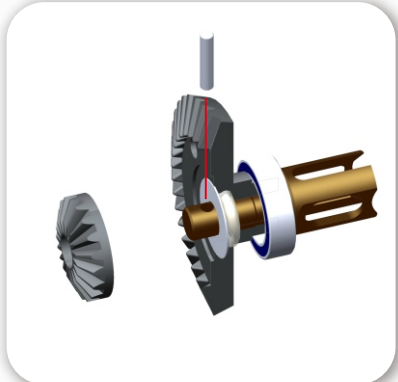
- 1.5mm, 2.0mm, 2.5mm, 3.0mm Allen Wrench
- 5.5mm, 7.0mm Hex socket Wrench
- Craft Knife
- Turnbuckle Wrench
- Calipers / Rulers
- Camber Gauge
- Glue / Thread Lock
- Shock Oil and Diff Oil
- Thrust, Diff and Joint Grease
- Paint for Body

Notes: All replacement parts are listed and be found in www.blazerc.com

918306	917258	943583	945123	950210	931015
M3*6	M2.5*8	3.5*8*0.3	5*12*0.3	2*9.8	10*15*4



- 164970 CENTER DIFF OUTDRIVE ADAPTER -SPRING STEEL
- 104932 GRAPHITE GEAR DIFF BEVEL & SATELLITE GEARS (2+4) - LOWER
- 104930 COMPOSITE GEAR DIFF BEVEL & SATELLITE GEARS (2+4)
- 135080 DIFF PIN 3.5*23.5mm
- 104980 COMPOSITE GEAR DIFF CROSS PIN
- 164911 COMPOSITE CENTER GEAR DIFFERENTIAL ADAPTER
- 164935 COMPOSITE DIFF. BEVEL GEAR 35T - V2
- 164984 COMPOSITE CENTER DIFF SPUR GEAR 84T / 48

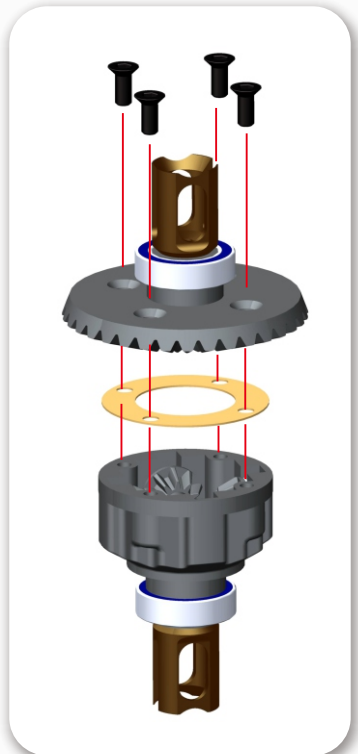


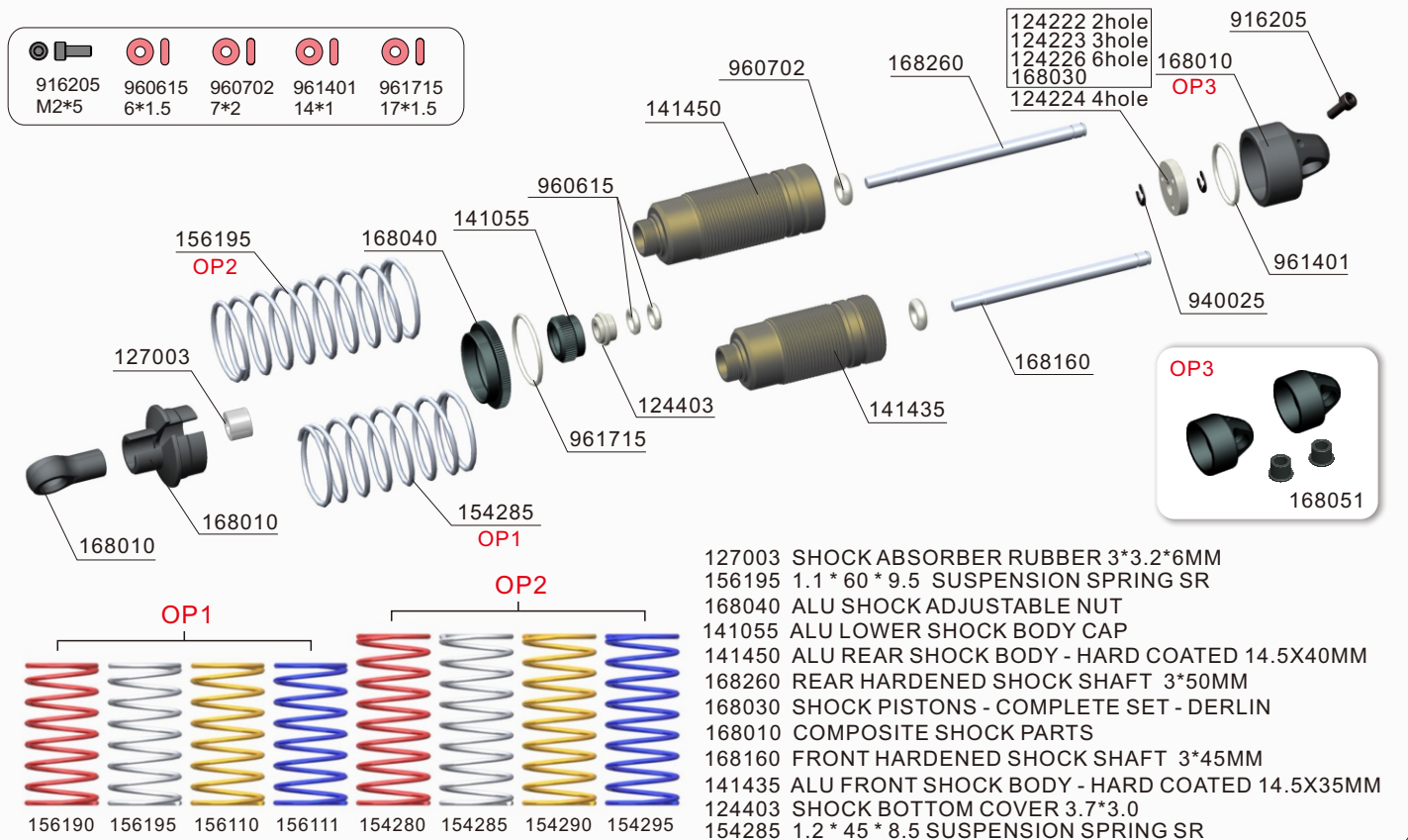
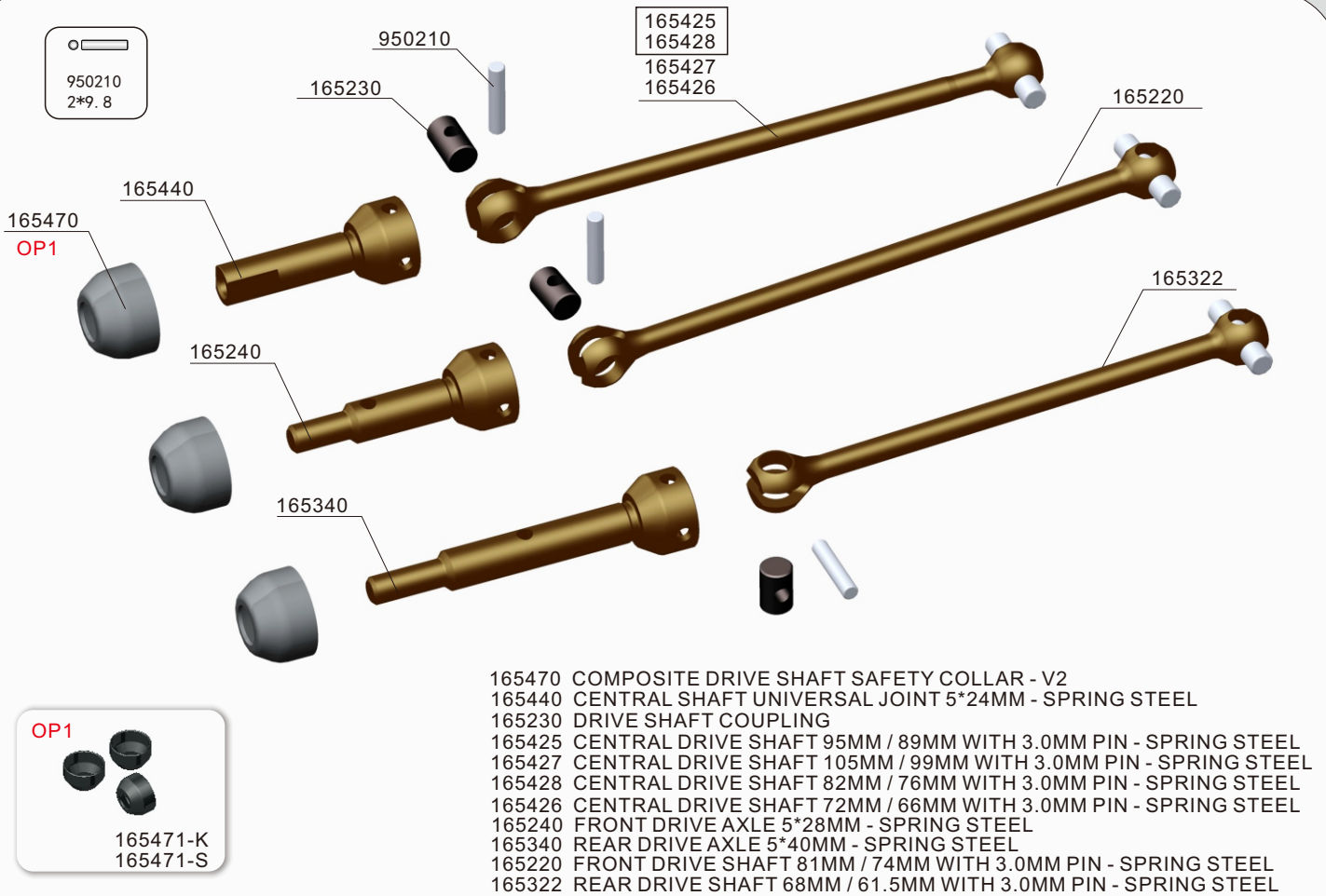
Low-Traction
10000 cst

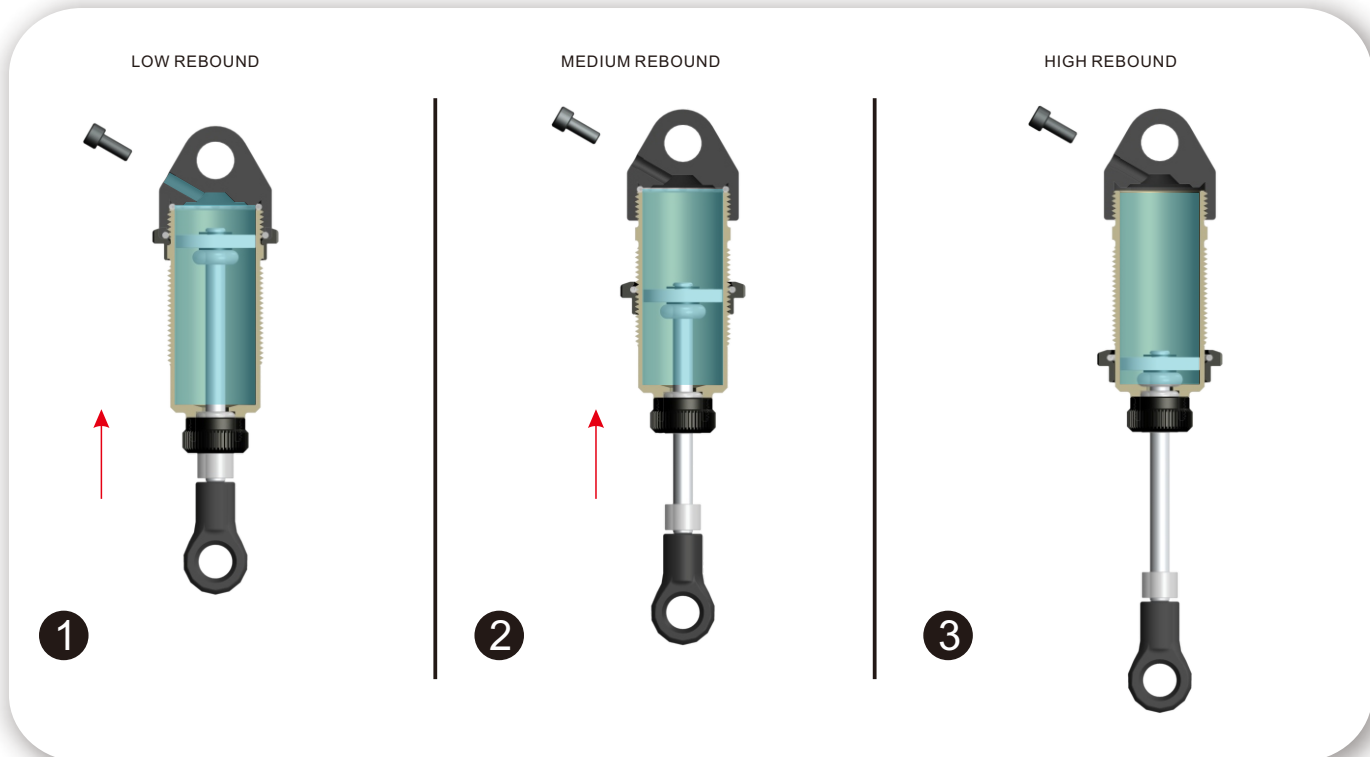
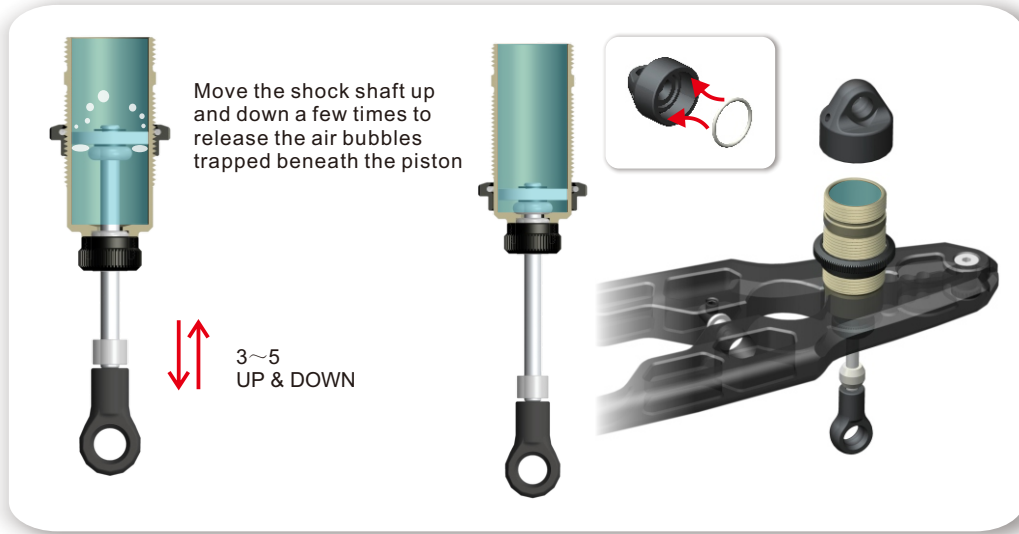
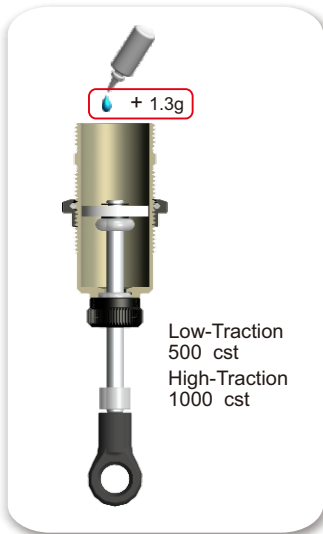
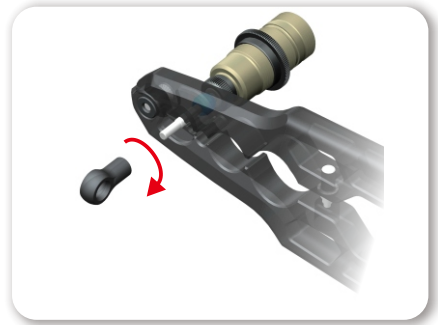
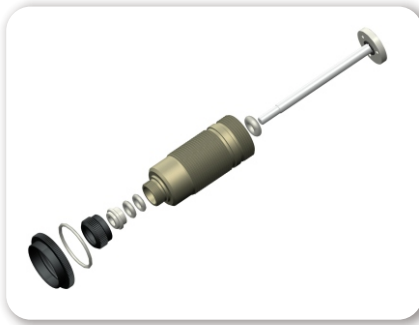
High-Traction
20000 cst

+ 1.3g

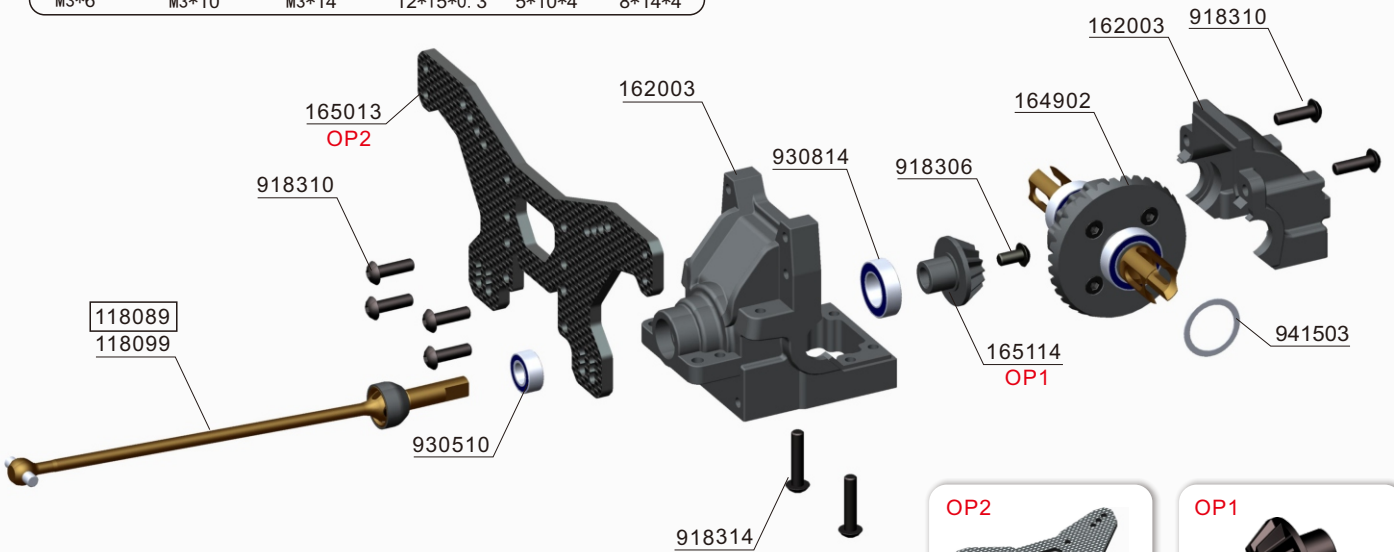
Add 1.3g of oil the diff.





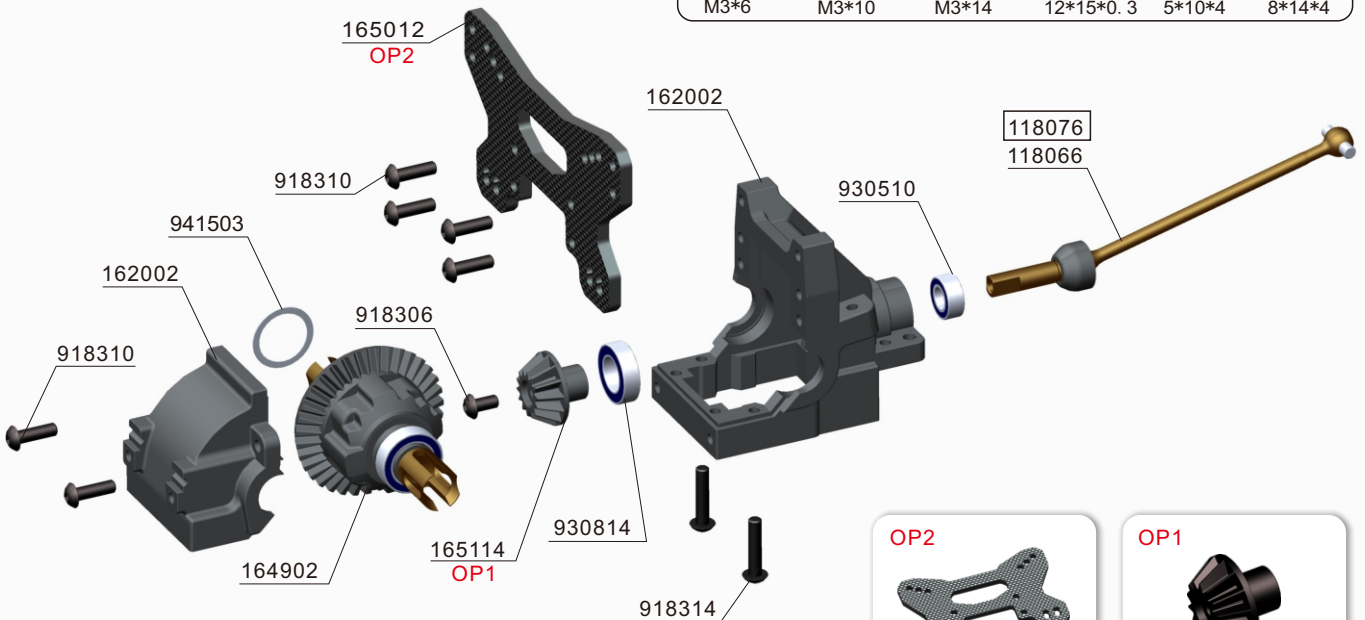


918306	918310	918314	941503	930510	930814
M3*6	M3*10	M3*14	12*15*0.3	5*10*4	8*14*4

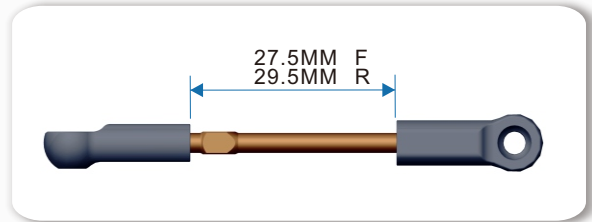
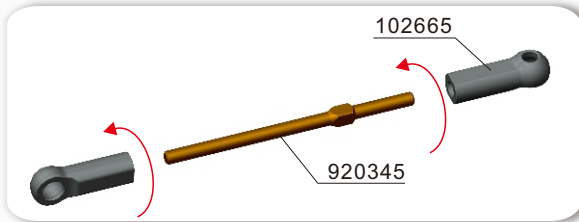
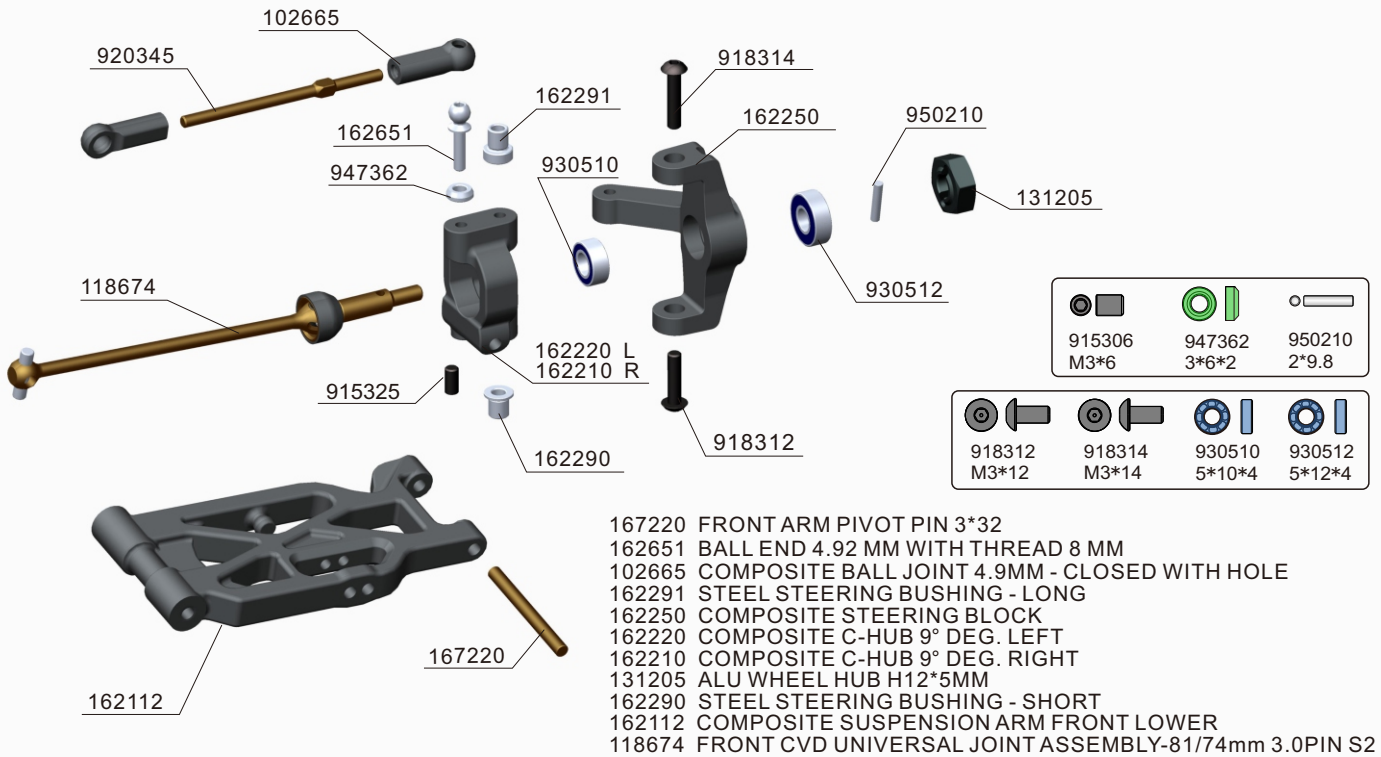


- 164902 GEAR DIFFERENTIAL FOR35T- SET
- 162003 DIFF BULKHEAD BLOCK SET REAR
- 165013 REAR SHOCK TOWER 3.0 MM - GRAPHITE
- 118089 CENTRAL-REAR CVD UNIVERSAL JOINT ASSEMBLY 95 MM - HOLE 89 MM 3.0 PIN S2
- 118099 CENTRAL-REAR CVD UNIVERSAL JOINT ASSEMBLY 105 MM - HOLE 99 MM 3.0 PIN S2

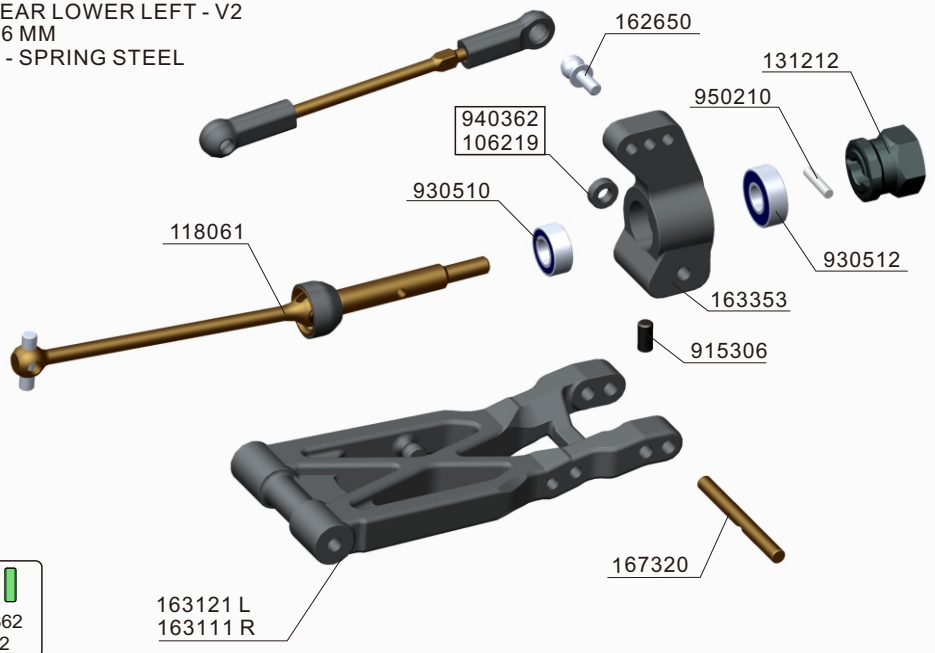
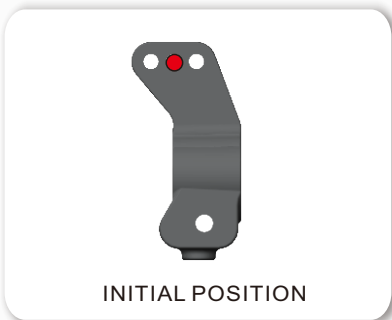
918306	918310	918314	941503	930510	930814
M3*6	M3*10	M3*14	12*15*0.3	5*10*4	8*14*4



- 164902 GEAR CENTER DIFFERENTIAL - SET
- 165114 COMPOSITE BEVEL DRIVE GEAR 14T
- 165012 FRONT SHOCK TOWER 3.0 MM - GRAPHITE
- 162002 DIFF BULKHEAD BLOCK SET FRONT
- 118076 CENTRAL-FRONT CVD UNIVERSAL JOINT ASSEMBLY 82 MM - HOLE 76 MM 3.0 PIN S2
- 118066 CENTRAL-FRONT CVD UNIVERSAL JOINT ASSEMBLY 72 MM - HOLE 66 MM 3.0 PIN S2

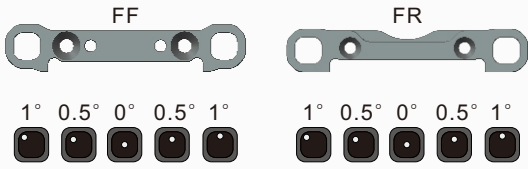


- 106219 COMPOSITE SET OF SERVO SHIMS
- 102665 COMPOSITE BALL JOINT 4.9MM - CLOSED WITH HOLE
- 118061 REAR CVD UNIVERSAL JOINT ASSEMBLY-68/61.5mm 3.0PIN S2
- 163121 COMPOSITE SUSPENSION ARM REAR LOWER LEFT - V2
- 162650 BALL END 4.92 MM WITH THREAD 6 MM
- 920345 ADJ. TURNBUCKLE M3 L/R 45 MM - SPRING STEEL
- 131212 ALU WHEEL HUB H12*12MM
- 163353 COMPOSITE UPRIGHT REAR
- 167320 REAR ARM PIVOT PIN 3*32



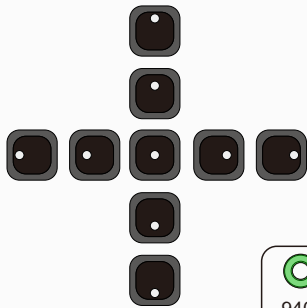
- 163121 COMPOSITE SUSPENSION ARM REAR LOWER LEFT - V2
- 163111 COMPOSITE SUSPENSION ARM REAR LOWER RIGHT - V2
- 163311 ALU REAR LOWER SUSPENSION HOLDER - FRONT, 6061 T6
- 163321 ALU REAR LOWER SUSPENSION HOLDER - REAR, 6061 T6
- 162315 ECCENTRIC BUSHING SET
- 106219 COMPOSITE SET OF SERVO SHIMS
- 167210 SUSPENSION PIVOT PIN 3*48
- 162651 BALL END 4.92 MM WITH THREAD 8 MM

REMOVE THE 3X6.5X2MM SHIM FROM EACH REAR ARM.

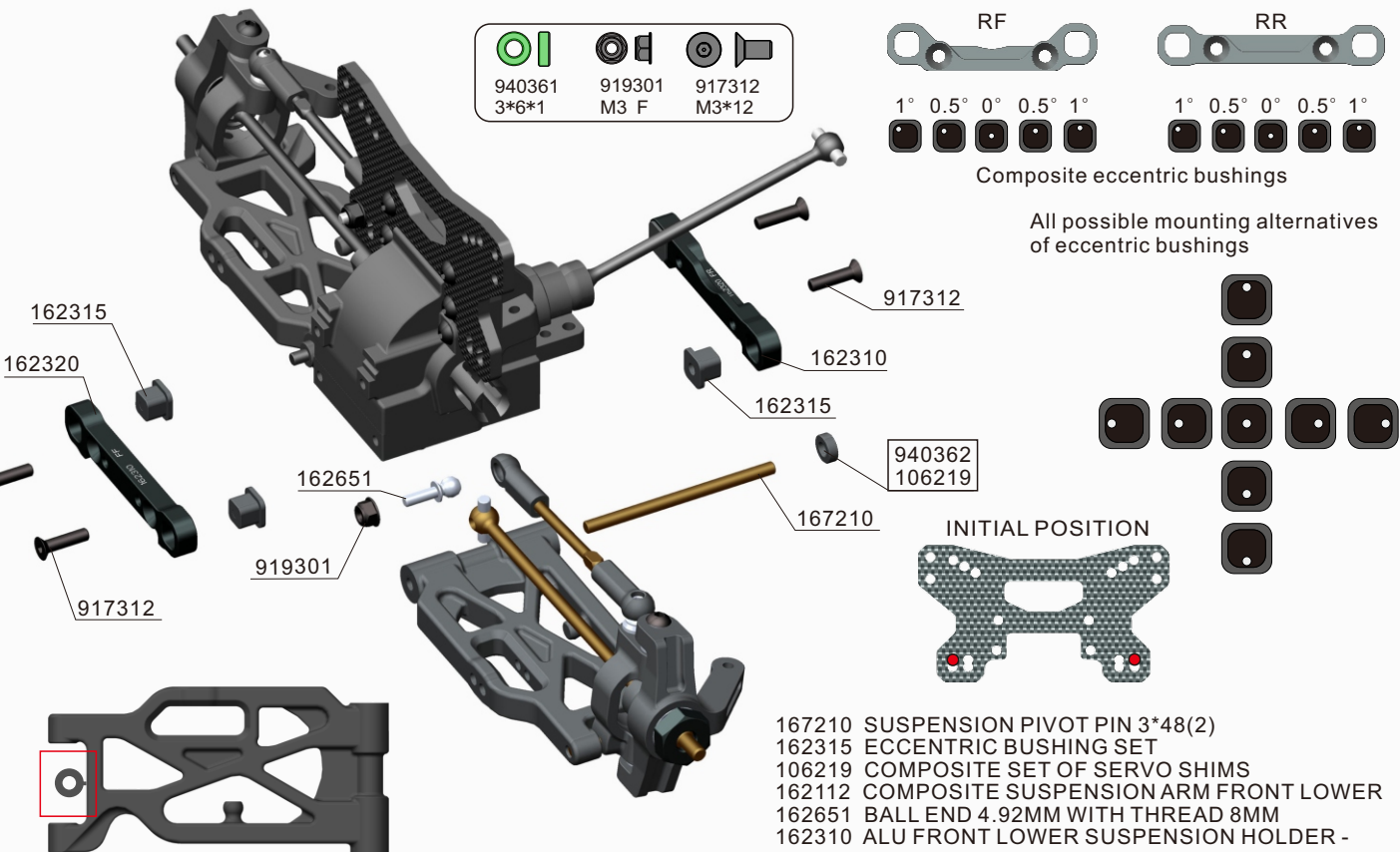
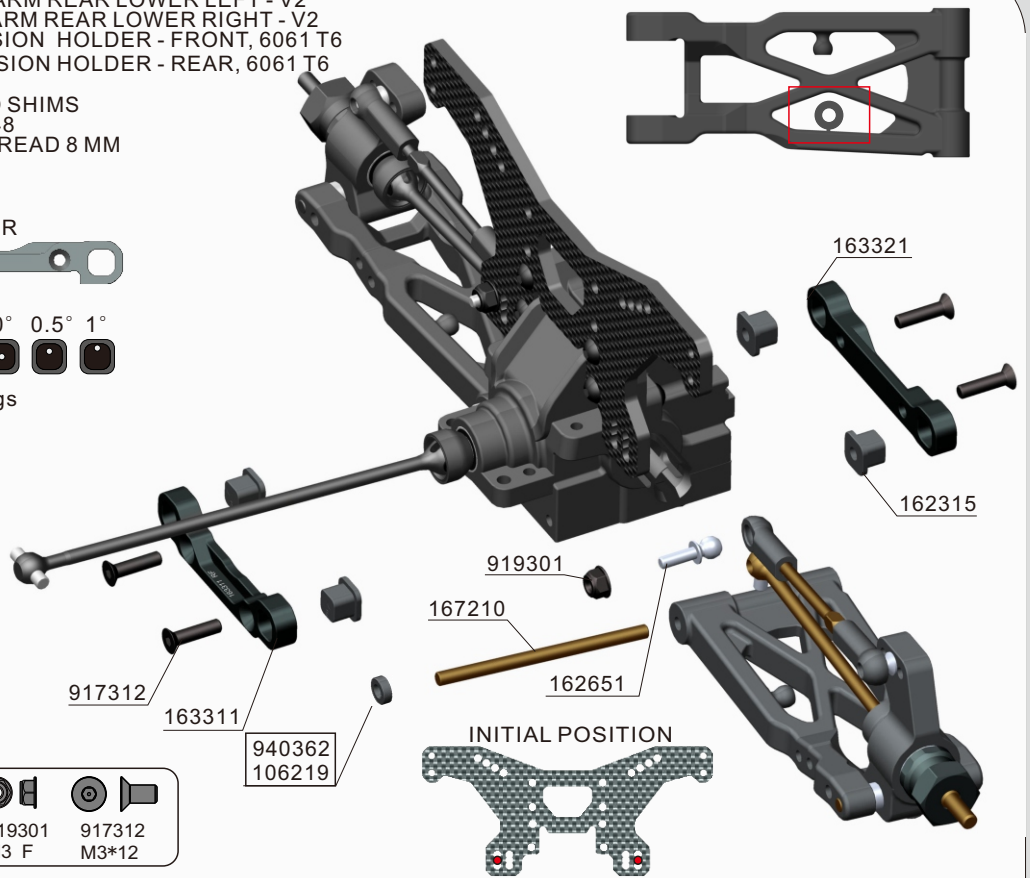


Composite eccentric bushings

All possible mounting alternatives of eccentric bushings



- 940362 3*6*2
- 919301 M3 F
- 917312 M3*12



All possible mounting alternatives of eccentric bushings

REMOVE THE 3X6.5X2MM SHIM FROM EACH REAR ARM.

- 167210 SUSPENSION PIVOT PIN 3*48(2)
- 162315 ECCENTRIC BUSHING SET
- 106219 COMPOSITE SET OF SERVO SHIMS
- 162112 COMPOSITE SUSPENSION ARM FRONT LOWER
- 162651 BALL END 4.92MM WITH THREAD 8MM
- 162310 ALU FRONT LOWER SUSPENSION HOLDER - FRONT - 6061 T6
- 162320 ALU FRONT LOWER SUSPENSION HOLDER - REAR, 6061 T6

OP1



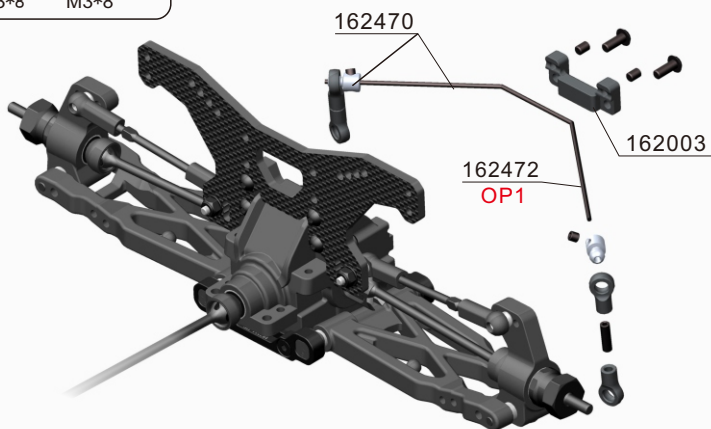
- 162480 2.0
- 162478 1.8
- 162476 1.6
- 162474 1.4
- 162472 1.2

- | | | |
|--------|--------|--------|
| | | |
| 915304 | 915308 | 918308 |
| M3*4 | M3*8 | M3*8 |

OP2



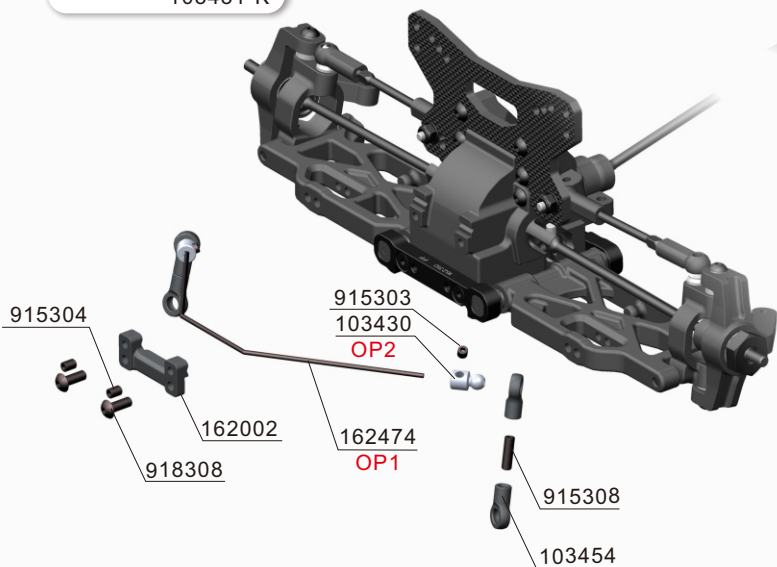
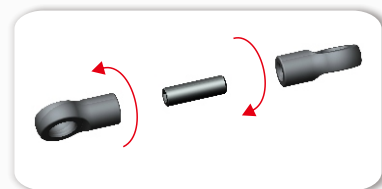
103431-K



162470

162003

162472
OP1



915304

915303
103430
OP2

162002

162474
OP1

918308

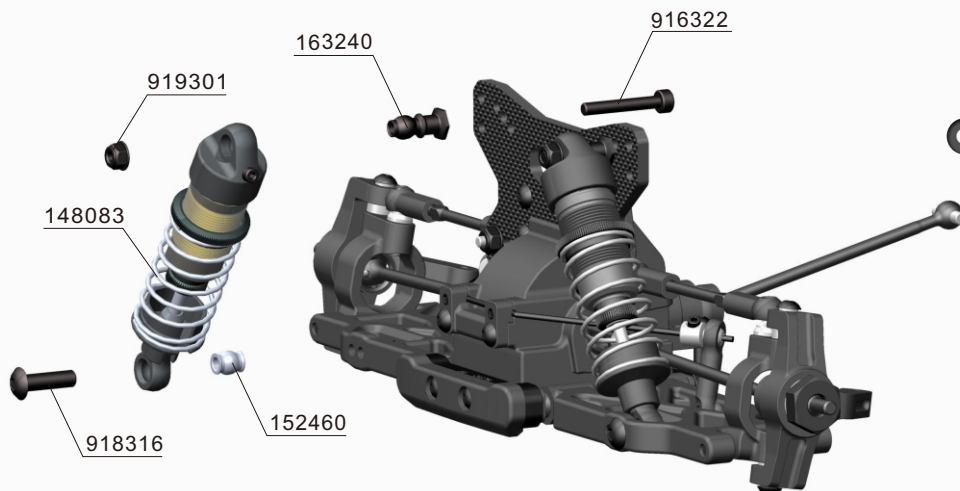
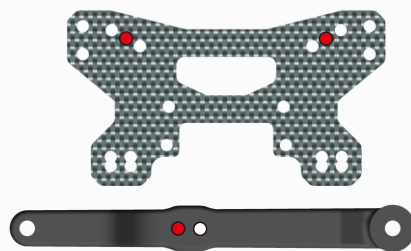
915308

103454

- 162002 DIFF BULKHEAD BLOCK SET FRONT
- 103454 BALL JOINT 4.9MM - OPEN (4)
- 162480 ANTI-ROLL BAR 2.0 MM
- 162478 ANTI-ROLL BAR 1.8 MM
- 162476 ANTI-ROLL BAR 1.6 MM
- 162474 ANTI-ROLL BAR 1.4 MM
- 162472 ANTI-ROLL BAR 1.2 MM
- 103430 BALL HEAD 4.9MM, STEEL (2)
- 162470 ANTI-ROLL BAR COMPLETE SET
- 162003 DIFF BULKHEAD BLOCK SET REAR

- | | | | |
|--------|--------|--------|--------|
| | | | |
| 919301 | 916322 | 918312 | 918316 |
| M3 F | M3*22 | M3*12 | M3*16 |

INITIAL POSITION



919301

148083

918316

163240

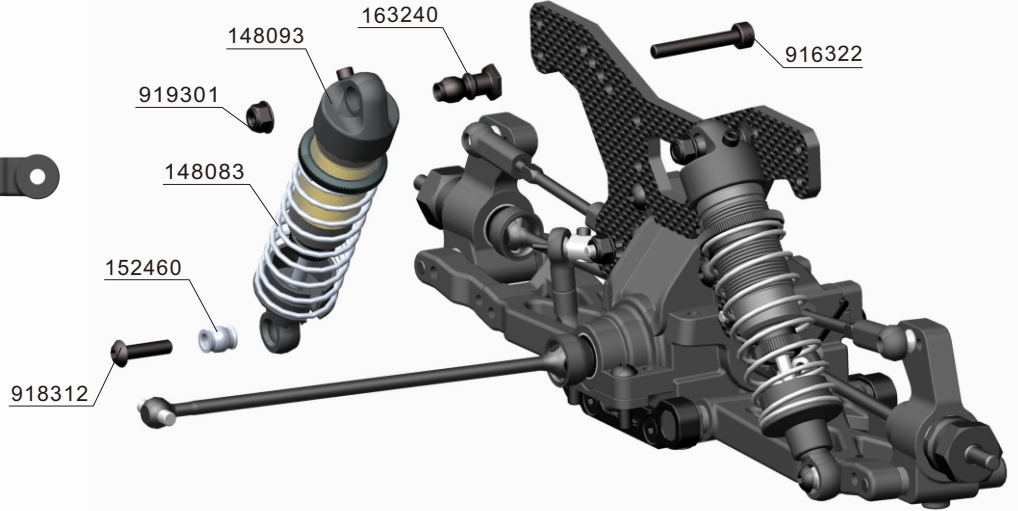
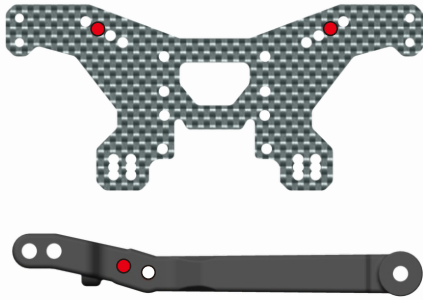
916322

152460

- 152460 PIVOT BALL 5.8
- 163240 BALL UNIVERSAL 5.8MM WITH BACKSTOP
- 148083 FRONT SHOCK ABSORBERS COMPLETE SET 35 MM, 14.5 X 80 MM

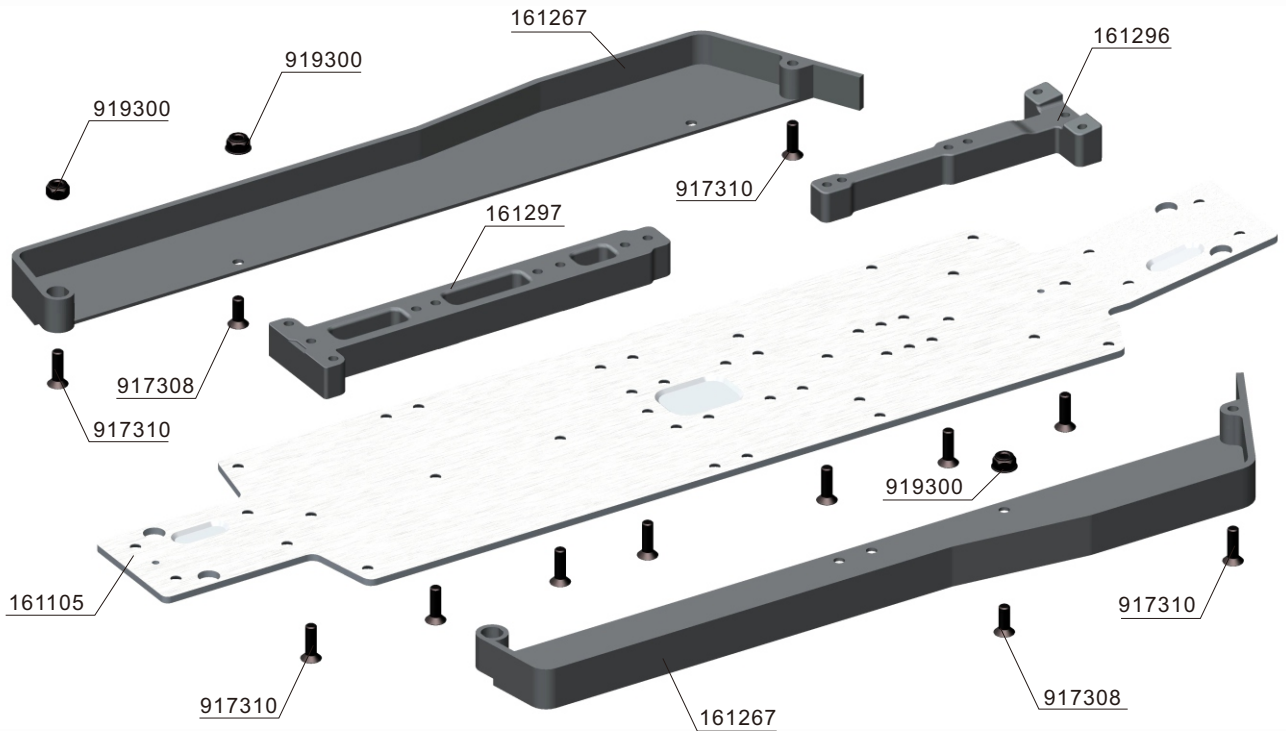
INITIAL POSITION

919301	916322	918312	918316		
M3 F	M3*22	M3*12	M3*16		



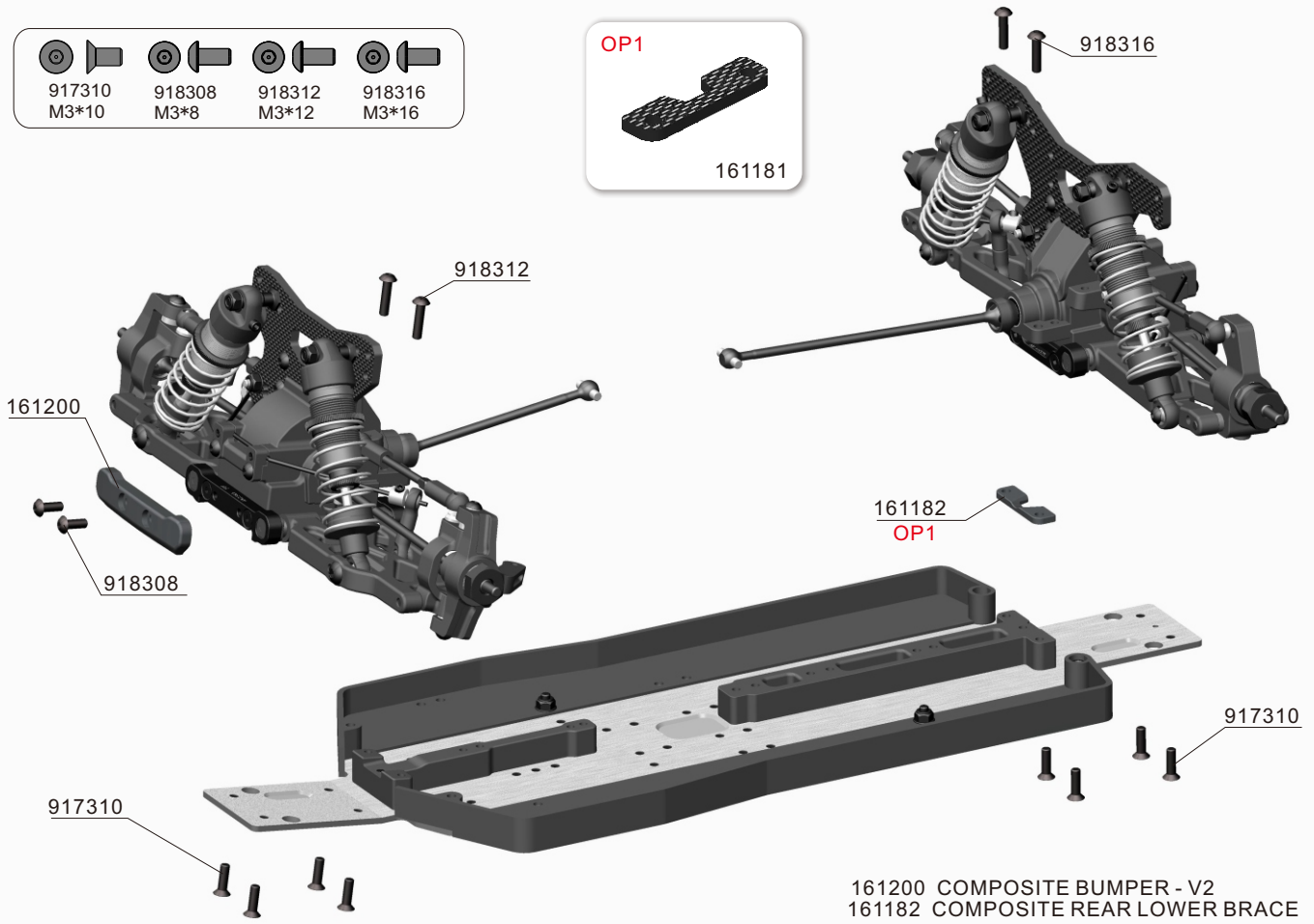
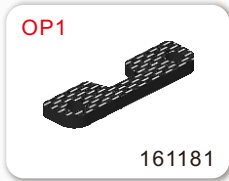
- 152460 PIVOT BALL 5.8
- 163240 BALL UNIVERSAL 5.8MM WITH BACKSTOP
- 148093 REAR SHOCK ABSORBERS COMPLETE SET 40MM 14.5X90MM

917308	917310	919300			
M3*8	M3*10	M3			



- 161105 ALU. CHASSIS 2.0 MM - 6061 T6
- 161267 COMPOSITE CHASSIS SIDE GUARDS L+R - HARD
- 161296 COMPOSITE CHASSIS BRACE FRONT - HARD
- 161297 COMPOSITE CHASSIS BRACE REAR - HARD

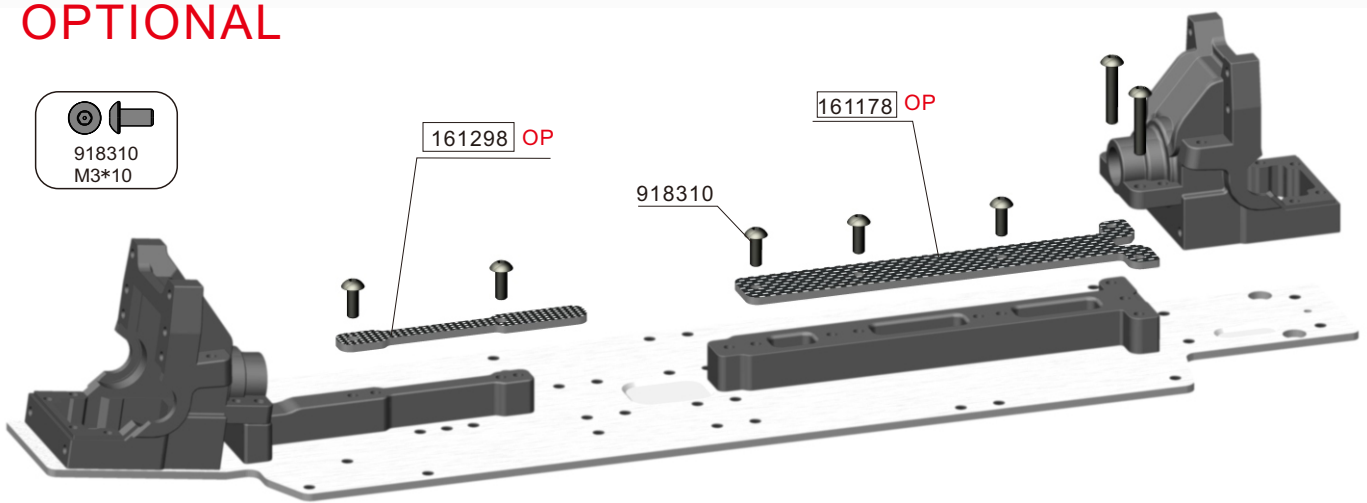
917310 M3*10	918308 M3*8	918312 M3*12	918316 M3*16





161200 COMPOSITE BUMPER - V2
161182 COMPOSITE REAR LOWER BRACE

OPTIONAL

918310 M3*10



161298 GRAPHITE CHASSIS WIRE COVER 2.0MM
161178 GRAPHITE CHASSIS BRACE UPPER DECK 2.0MM

			
918310	961201	947362	930508
M3*10	12*1	3*6*2	5*8*2.5

OP1



162573

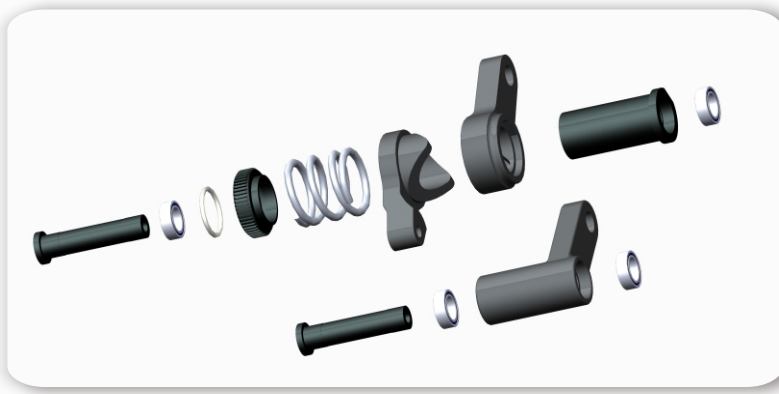
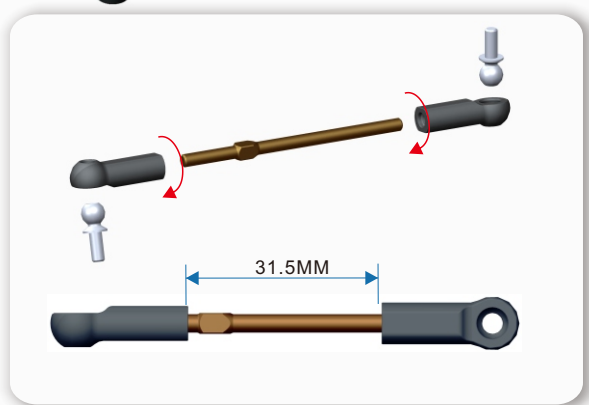
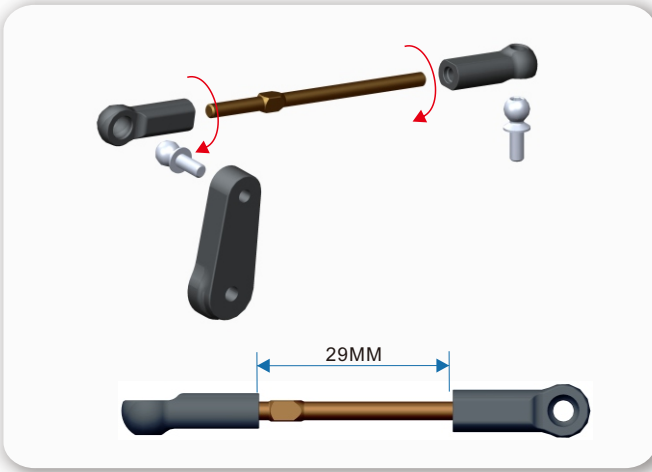
OP1








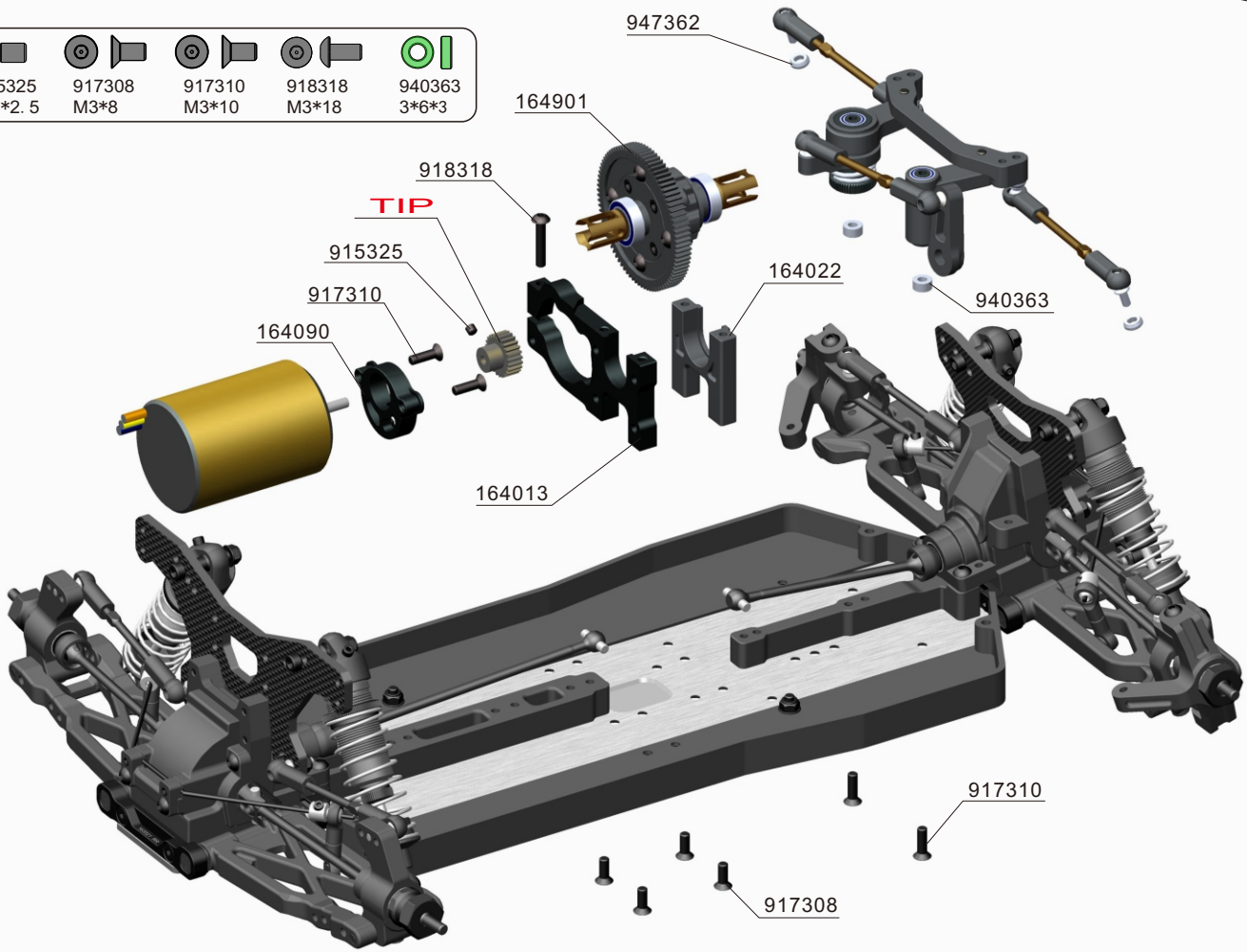
162574



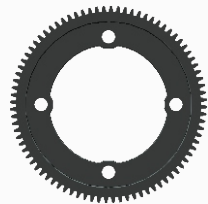
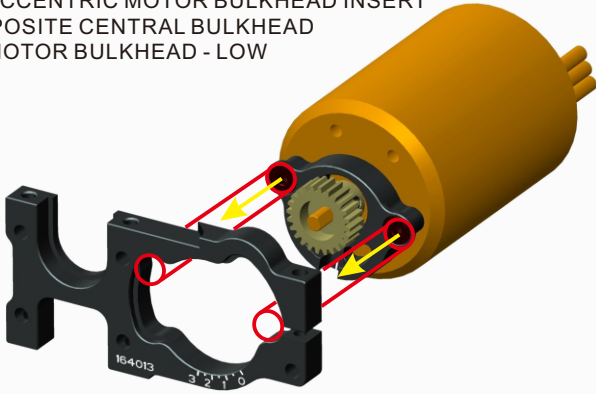
- 162573 ALU STEERING PLATE 4-HOLE
- 162574 ALU STEERING PLATE 2-HOLE
- 162571 COMPOSITE STEERING PLATE
- 162510 COMPOSITE SERVO SAVER
- 162290 STEEL STEERING BUSHING - SHORT
- 162540 ALU SERVO SAVER MAIN SHAFT
- 162550 SERVO SAVER PIVOT SHAFT
- 132561 SERVO SAVER SPRING C=14
- 132540 ALU SERVO SAVER ADJUSTABLE NUT
- 920345 ADJ. TURNBUCKLE M3 L/R 45 MM - SPRING STEEL
- 102665 COMPOSITE BALL JOINT 4.9MM - CLOSED WITH HOLE
- 162650 BALL END 4.92 MM WITH THREAD 6 MM
- 156200 BRAKE/THROTTLE ARMS & STEERING SERVO ARMS - SET



-  915325 M3*2.5
-  917308 M3*8
-  917310 M3*10
-  918318 M3*18
-  940363 3*6*3



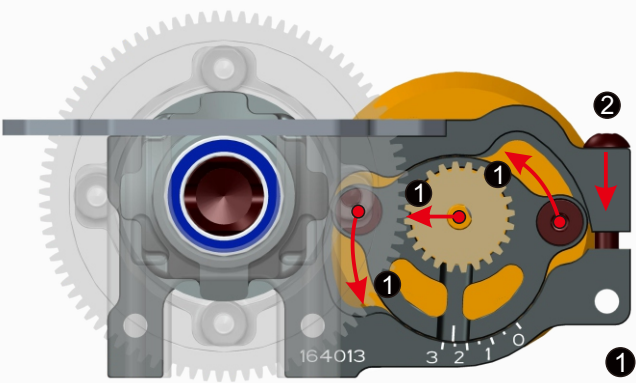
- 164901 GEAR CENTER DIFFERENTIAL - SET
- 164090 ALU ECCENTRIC MOTOR BULKHEAD INSERT
- 164022 COMPOSITE CENTRAL BULKHEAD
- 164013 ALU MOTOR BULKHEAD - LOW



- 164984 84T
- 164981 81T
- SUITABLE FOR USE

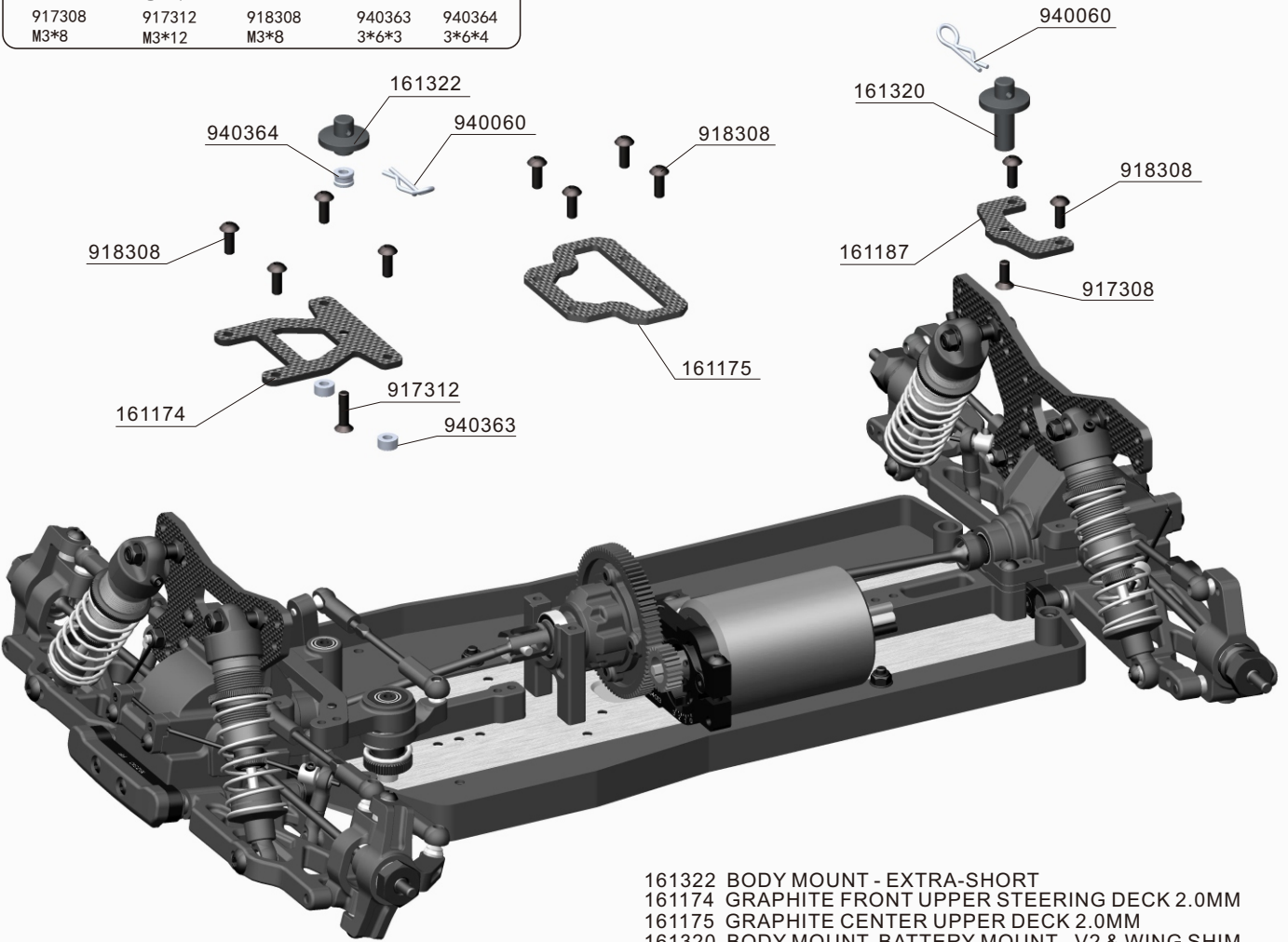
TIP

		164984	164981
		84T	81T
994018	18t/48p	●	●
994019	19t/48p	●	●
994020	20t/48p	●	●
994021	21t/48p	●	●
994022	22t/48p	●	●
994023	23t/48p	●	●
994024	24t/48p	●	●
994025	25t/48p	●	●
994026	26t/48p	●	●
994027	27t/48p	●	●
994028	28t/48p		●
994029	29t/48p		●
994030	30t/48p		●
994031	31t/48p		
994032	32t/48p		
994033	33t/48p		
994034	34t/48p		
994035	35t/48p		
994036	36t/48p		
996037	37t/48p		
994038	38t/48p		



- ① ADJUST GEAR MESH
- ② TIGHTEN THE SCREW

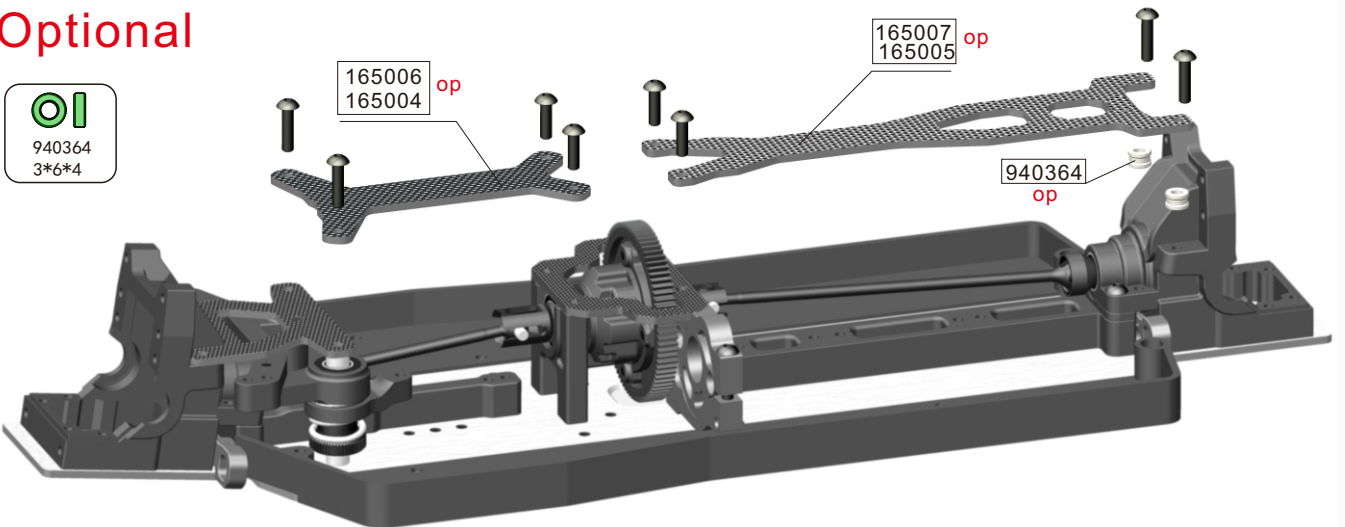
917308 M3*8	917312 M3*12	918308 M3*8	940363 3*6*3	940364 3*6*4











- 161322 BODY MOUNT - EXTRA-SHORT
- 161174 GRAPHITE FRONT UPPER STEERING DECK 2.0MM
- 161175 GRAPHITE CENTER UPPER DECK 2.0MM
- 161320 BODY MOUNT, BATTERY MOUNT - V2 & WING SHIM
- 161187 GRAPHITE REAR UPPER BRACE 2.0MM

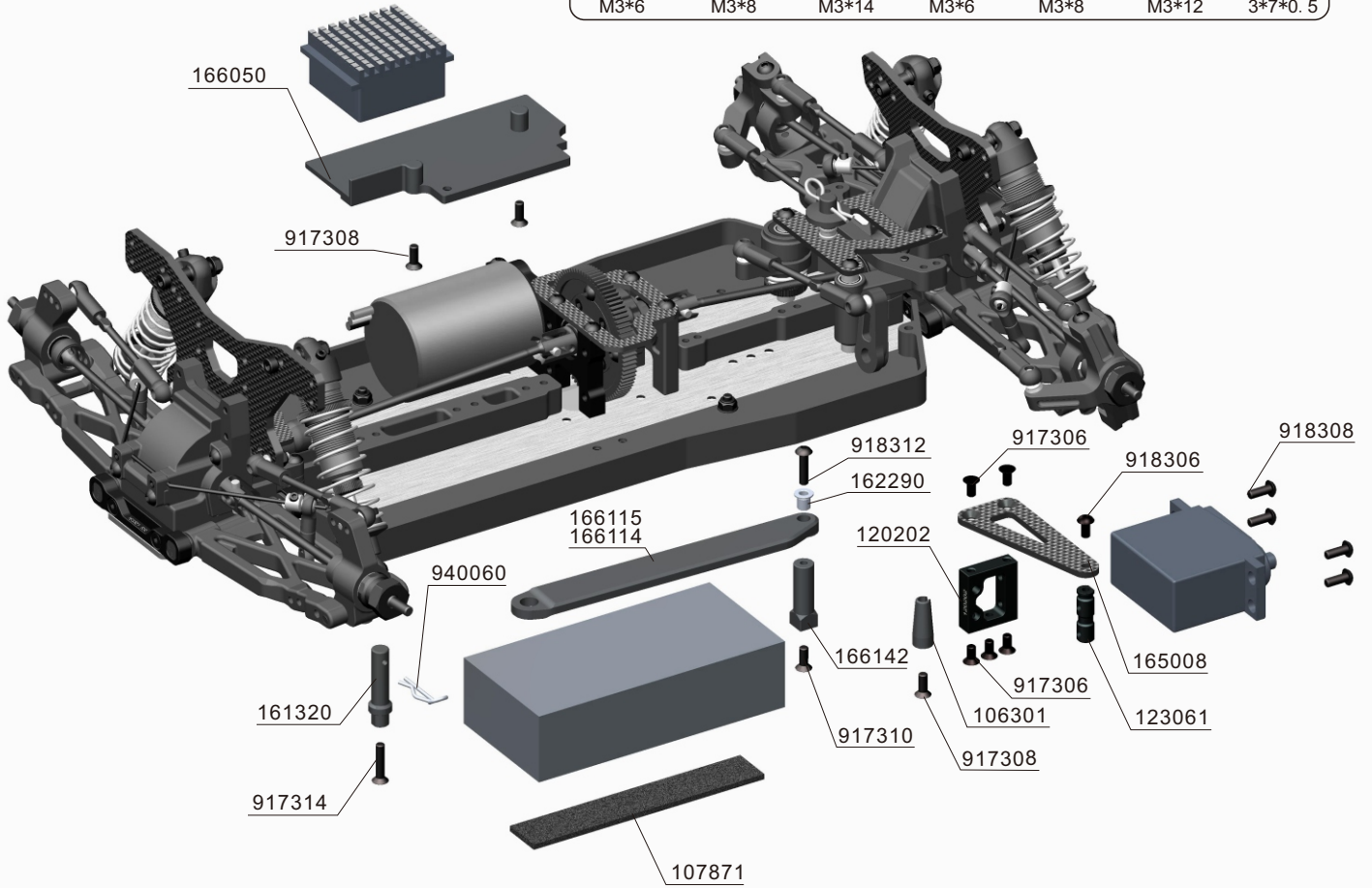
Optional

940364 3*6*4



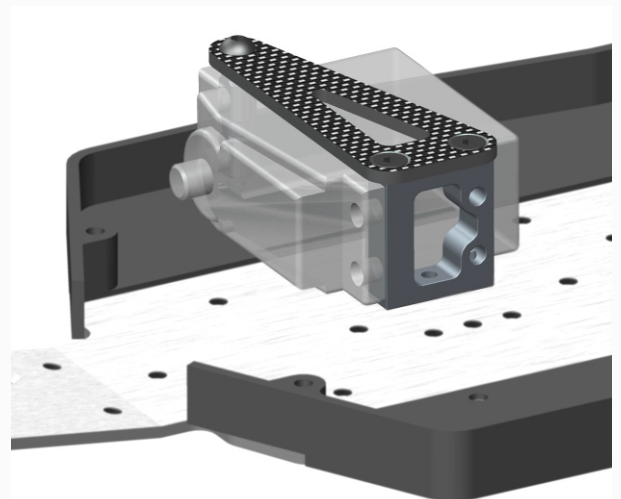
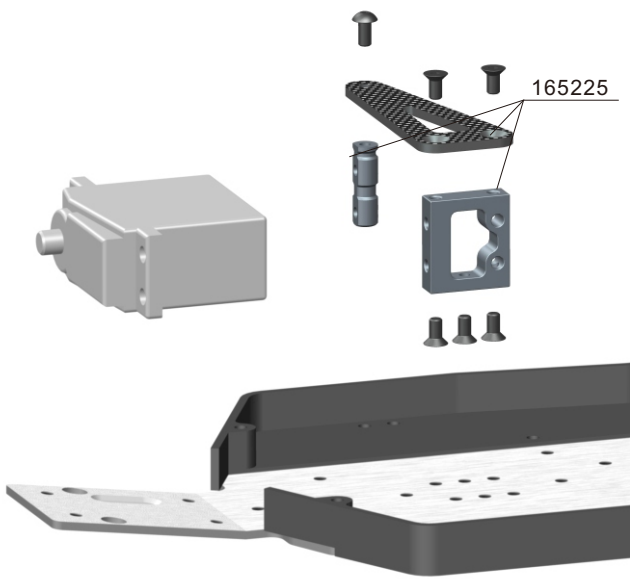
- 165004 FRONT UPPER DECK -66*2.0MM
- 165005 REAR UPPER DECK, GRAPHITE 3 HOLES 131 * 2.0 MM
- 165006 FRONT UPPER DECK -76*2.0MM
- 165007 REAR UPPER DECK, GRAPHITE 2 HOLES 121 * 2.0 MM

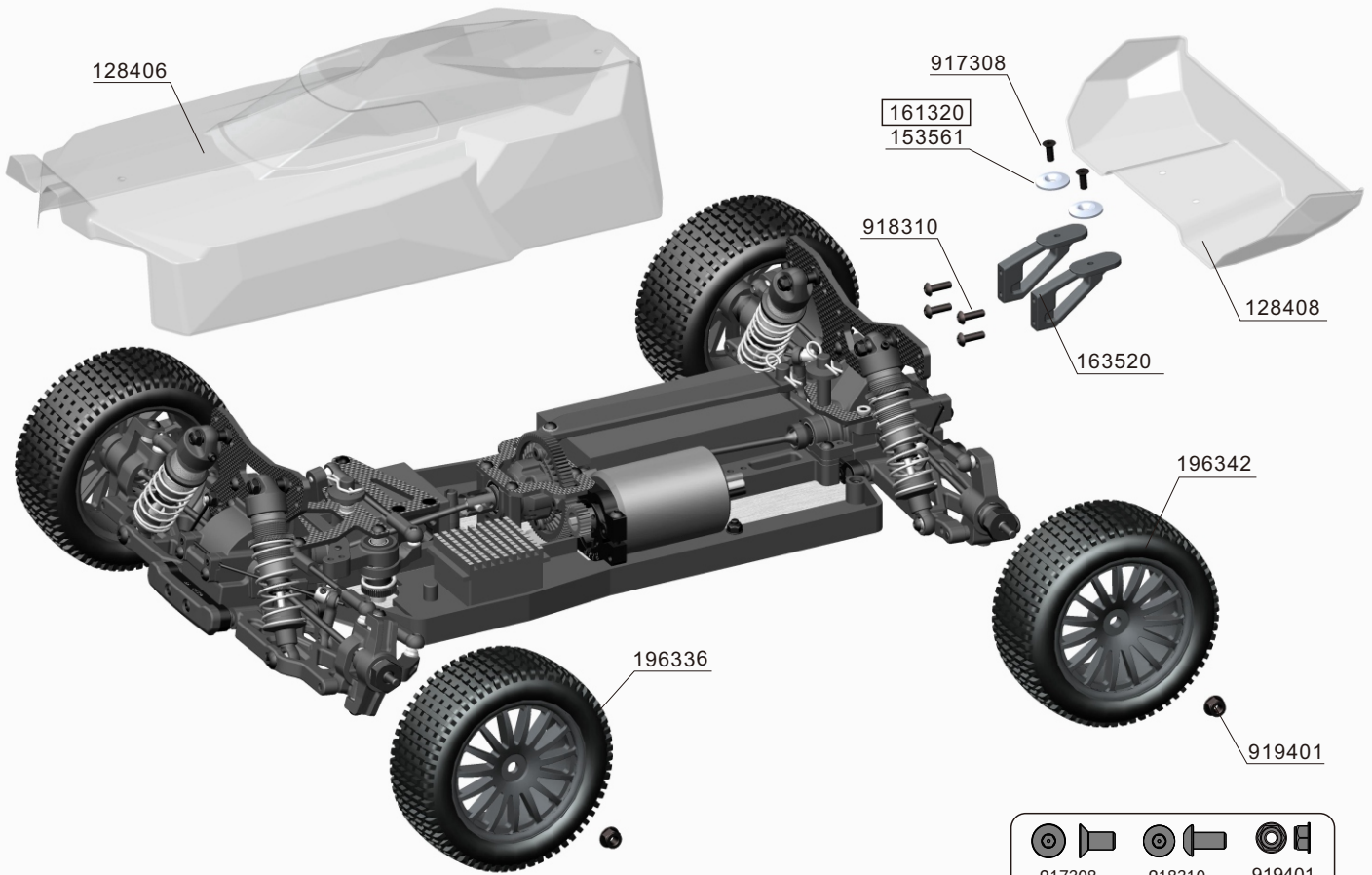
							
917306	917308	917314	918306	918308	918312	940375	
M3*6	M3*8	M3*14	M3*6	M3*8	M3*12	3*7*0.5	








- 165008 GRAPHITE SUSPENSION SERVO MOUNT 2.0 MM
- 165225 SERVO MOUNT SET, CARBON FIBER 2.0 MM
- 166050 COMPOSITE RADIO PLATE - V2
- 106301 ANTENNA MOUNT - THIN
- 162290 STEEL STEERING BUSHING - SHORT
- 107871 BATTERY ANTI-SLIP PAD 15*200mm

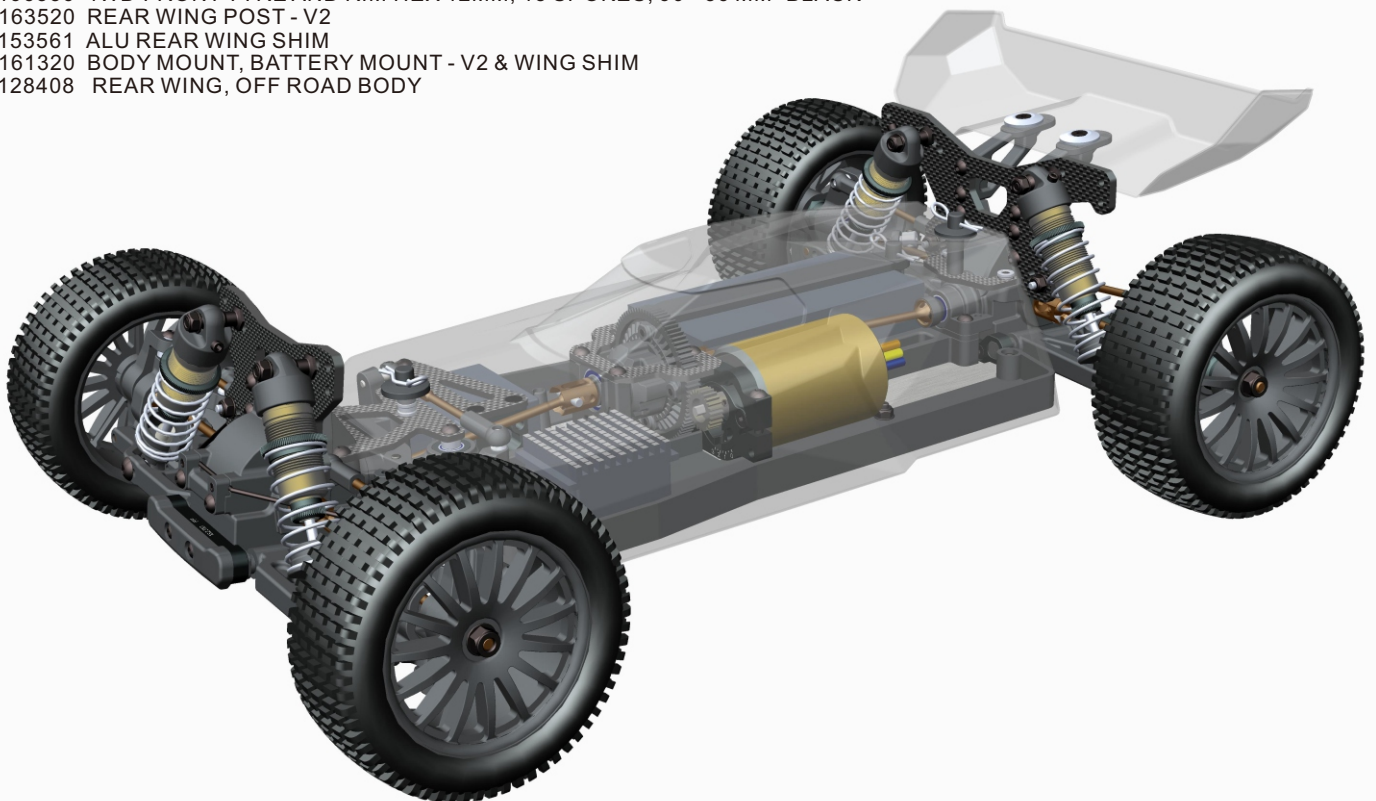
- 123061 ALU. SERVO COLUMN 2-HOLE
- 161320 BODY MOUNT, BATTERY MOUNT - V2 & WING SHIM
- 166115 COMPOSITE BATTERY STRAP - LONG XL
- 166114 COMPOSITE BATTERY STRAP - LONG
- 120202 SUSPENSION MOUNT HOLDER, ALUMINUM
- 166142 COMPOSITE BATTERY HOLDER STAND

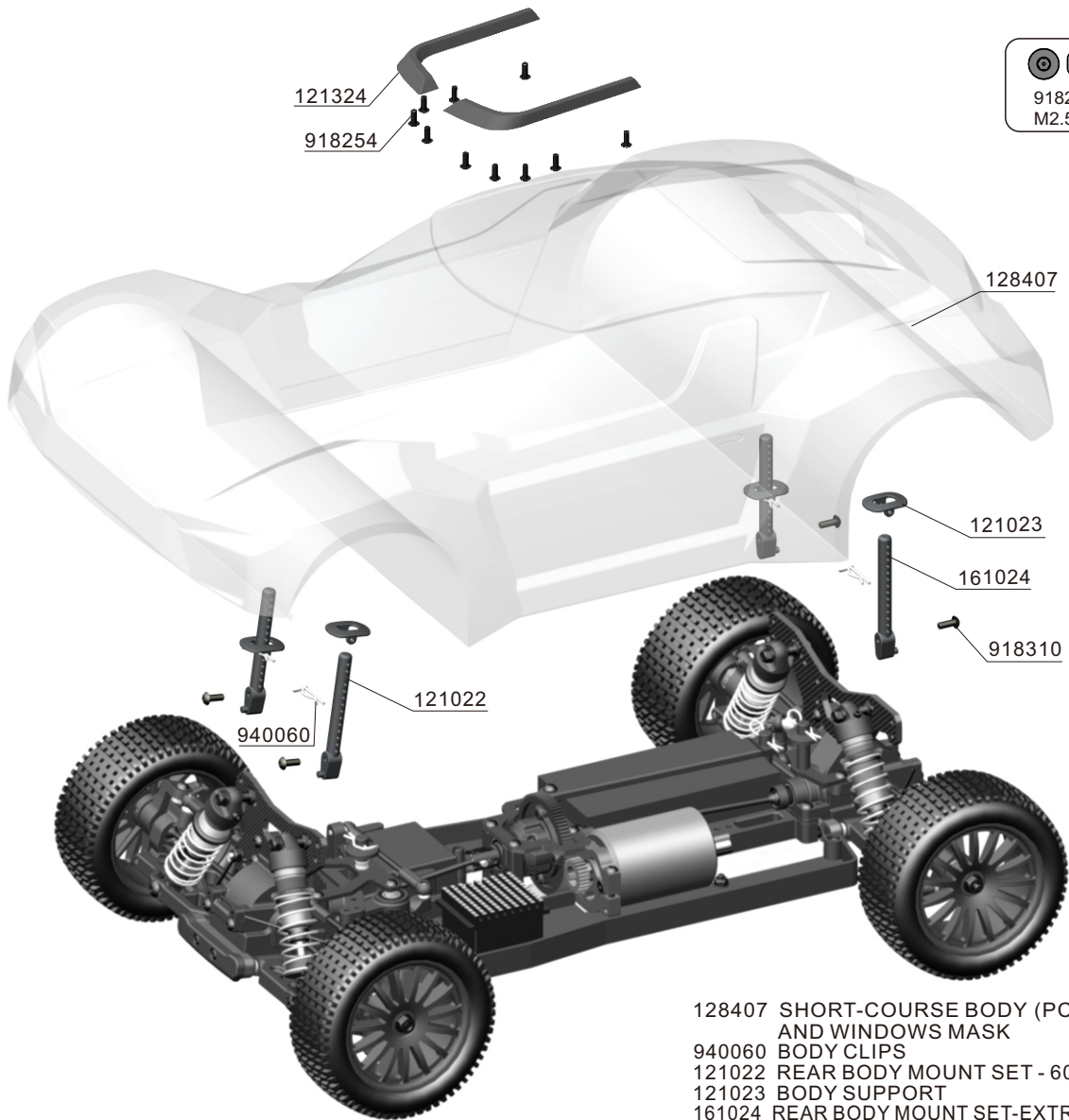




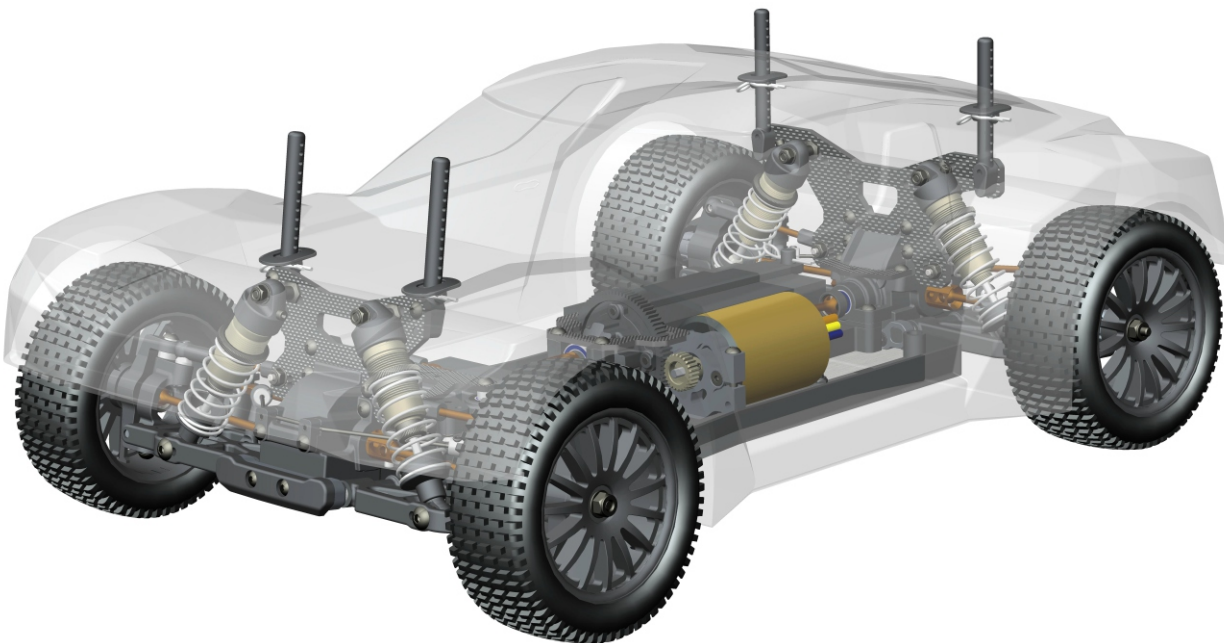
- 128406 OFF ROAD BODY PROTECTION SHELL W/DECAL SHEET AND WINDOWS MASK
- 196342 4WD REAR TYRE AND RIM HEX 12MM, 15 SPOKES, 90 * 42 MM- BLACK
- 196336 4WD FRONT TYRE AND RIM HEX 12MM, 15 SPOKES, 90 * 36 MM- BLACK
- 163520 REAR WING POST - V2
- 153561 ALU REAR WING SHIM
- 161320 BODY MOUNT, BATTERY MOUNT - V2 & WING SHIM
- 128408 REAR WING, OFF ROAD BODY

				
917308	918310	919401		
M3*8	M3*10	M4 F		





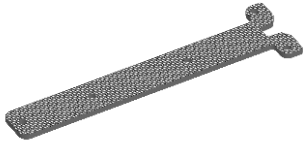
- 128407 SHORT-COURSE BODY (PC) WITH DECAL SHEETS AND WINDOWS MASK
- 940060 BODY CLIPS
- 121022 REAR BODY MOUNT SET - 60MM
- 121023 BODY SUPPORT
- 161024 REAR BODY MOUNT SET-EXTRA LONG 71MM
- 121324 PROTECTION RACK



<p>102665</p>  <p>COMPOSITE BALL JOINT 4.9MM - CLOSED WITH HOLE</p>	<p>103454</p>  <p>BALL JOINT 4.9MM - OPEN</p>	<p>106219</p>  <p>COMPOSITE SET OF SERVO SHIMS</p>	<p>106301</p>  <p>ANTENNA MOUNT - THIN</p>
<p>156200</p>  <p>BRAKE/THROTTLE ARMS & STEERING SERVO ARMS - SET</p>	<p>161182</p>  <p>COMPOSITE REAR LOWER BRACE</p>	<p>161200</p>  <p>COMPOSITE BUMPER - V2</p>	<p>161267</p>  <p>COMPOSITE CHASSIS SIDE GUARDS L+R - HARD</p>
<p>161296</p>  <p>COMPOSITE CHASSIS BRACE FRONT - HARD</p>	<p>161297</p>  <p>COMPOSITE CHASSIS BRACE REAR - HARD</p>	<p>161320</p>  <p>BODY MOUNT, BATTERY MOUNT - V2 & WING SHIM</p>	<p>161322</p>  <p>BODY MOUNT - EXTRA-SHORT</p>
<p>162210</p>  <p>COMPOSITE C-HUB 9° DEG. RIGHT</p>	<p>162220</p>  <p>COMPOSITE C-HUB 9° DEG. LEFT</p>	<p>162250</p>  <p>COMPOSITE STEERING BLOCK</p>	<p>162315</p>  <p>ECCENTRIC BUSHING SET</p>
<p>162112</p>  <p>COMPOSITE SUSPENSION ARM FRONT LOWER</p>	<p>163111</p>  <p>COMPOSITE SUSPENSION ARM REAR LOWER RIGHT - V2</p>	<p>163121</p>  <p>COMPOSITE SUSPENSION ARM REAR LOWER LEFT - V2</p>	<p>163353</p>  <p>COMPOSITE UPRIGHT REAR</p>
<p>163520</p>  <p>REAR WING POST - V2</p>	<p>164022</p>  <p>COMPOSITE CENTRAL BULKHEAD</p>	<p>166050</p>  <p>COMPOSITE RADIO PLATE - V2</p>	<p>166114</p>  <p>COMPOSITE BATTERY STRAP - LONG</p>

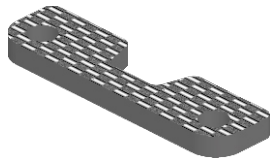
<p>166115</p>  <p>COMPOSITE BATTERY STRAP - LONG XL</p>	<p>166142</p>  <p>COMPOSITE BATTERY HOLDER STAND</p>	<p>166160</p>  <p>FOAM SPACER FOR BATTERY</p>	<p>166200</p>  <p>COMPOSITE SERVO MOUNT</p>
<p>166202</p>  <p>COMPOSITE SERVO MOUNT - HIGHER</p>	<p>169910</p>  <p>4WD FRONT WHEEL AERODISK WITH 14MM HEX - WHITE - V2</p>	<p>169911</p>  <p>4WD REAR WHEEL AERODISK WITH 14MM HEX - WHITE</p>	<p>121022</p>  <p>REAR BODY MOUNT SET - 60MM</p>
<p>121023</p>  <p>BODY SUPPORT</p>	<p>161024</p>  <p>REAR BODY MOUNT SET, EXTRA LONG - 71MM</p>	<p>103430</p>  <p>BALL HEAD 4.9MM, STEEL</p>	<p>103431-K</p>  <p>ALU 4.9MM BALL END - BLACK</p>
<p>152460</p>  <p>PIVOT BALL 5.8</p>	<p>162290</p>  <p>STEEL STEERING BUSHING - SHORT</p>	<p>162291</p>  <p>STEEL STEERING BUSHING - LONG</p>	<p>162571</p>  <p>COMPOSITE STEERING PLATE</p>
<p>162510</p>  <p>COMPOSITE SERVO SAVER</p>	<p>132540</p>  <p>ALU SERVO SAVER ADJUSTABLE NUT</p>	<p>132561</p>  <p>SERVO SAVER SPRING C=14</p>	<p>162540</p>  <p>ALU SERVO SAVER MAIN SHAFT</p>
<p>162550</p>  <p>SERVO SAVER PIVOT SHAFT</p>	<p>161105</p>  <p>ALU. CHASSIS 2.0 MM - 6061 T6</p>	<p>161174</p>  <p>GRAPHITE FRONT UPPER STEERING DECK 2.0MM</p>	<p>161175</p>  <p>GRAPHITE CENTER UPPER DECK 2.0MM</p>

161178



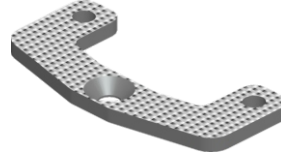
GRAPHITE CHASSIS BRACE UPPER DECK 2.0MM

161181



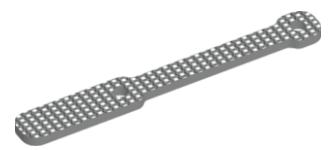
GRAPHITE REAR LOWER BRACE 2.0MM

161187



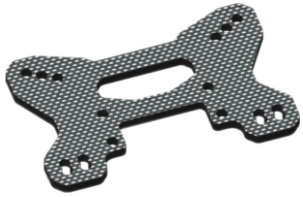
GRAPHITE REAR UPPER BRACE 2.0MM

161298



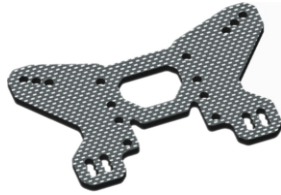
GRAPHITE CHASSIS WIRE COVER 2.0MM

162083



GRAPHITE SHOCK TOWER FRONT 3.6 MM - LOWER

163081



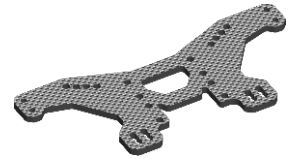
GRAPHITE SHOCK TOWER REAR 3.0MM

165012



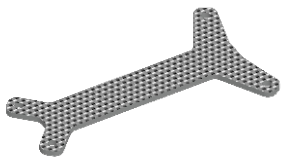
FRONT SHOCK TOWER 3.0 MM - GRAPHITE

165013



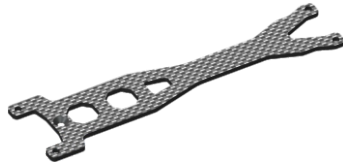
REAR SHOCK TOWER 3.0 MM - GRAPHITE

165004



FRONT UPPER DECK -66*2.0mm

165005



REAR UPPER DECK, GRAPHITE 3 HOLES 131 * 2.0 MM

165006



GRAPHITE SUSPENSION SERVO MOUNT 2.0 MM

165007



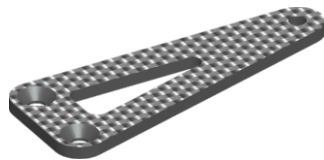
REAR UPPER DECK, GRAPHITE 2 HOLES 121 * 2.0 MM

120202



SUSPENSION MOUNT HOLDER, ALUMINUM

165008



GRAPHITE SUSPENSION SERVO MOUNT 2.0 MM

123061



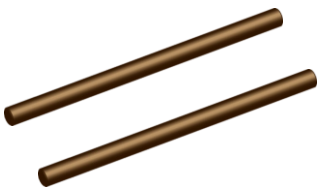
ALU SERVO COLUMN - 2 HOLES

165225



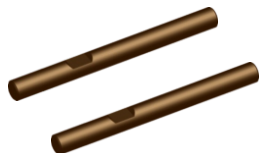
SERVO MOUNT SET, CARBON FIBER 2.0 MM

167210



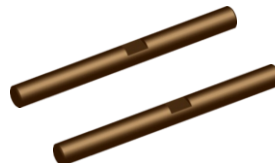
SUSPENSION PIVOT PIN 3*48

167220



FRONT ARM PIVOT PIN 3*32

167320



REAR ARM PIVOT PIN 3*32

162310



ALU FRONT LOWER SUSPENSION HOLDER - FRONT - 6061 T6

162320



ALU FRONT LOWER SUSPENSION HOLDER - REAR, 6061 T6

163311



ALU REAR LOWER SUSPENSION HOLDER - FRONT, 6061 T6

163321


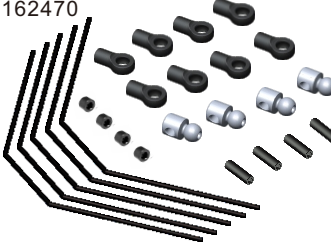
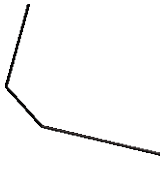
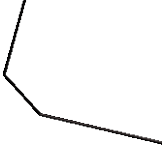
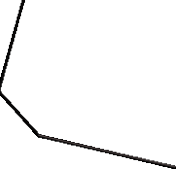




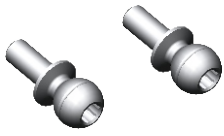
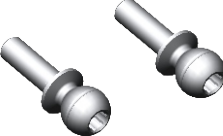
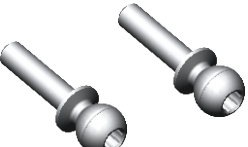
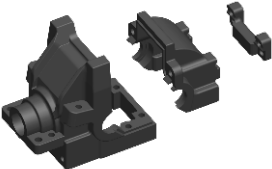
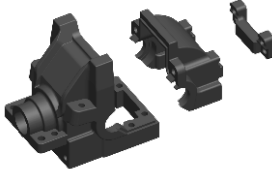


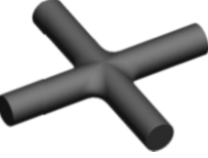
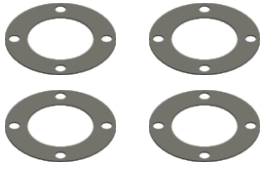









ALU REAR LOWER SUSPENSION HOLDER - REAR, 6061 T6

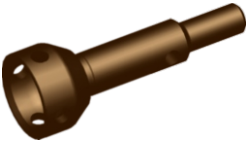



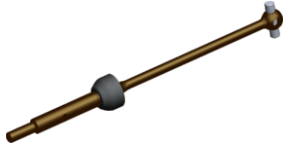



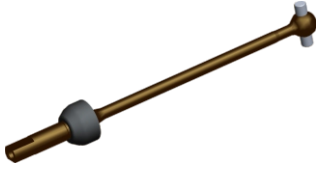
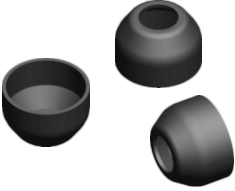
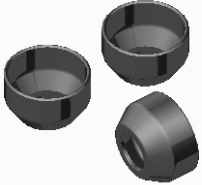


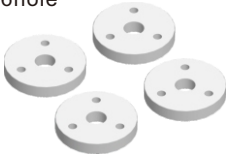
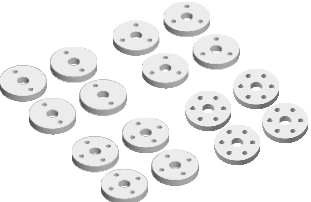





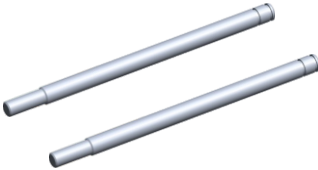
164013



ALU MOTOR BULKHEAD - LOW

<p>164090</p>  <p>ALU ECCENTRIC MOTOR BULKHEAD INSERT</p>	<p>162470</p>  <p>ANTI-ROLL BAR COMPLETE SET</p>	<p>162472</p>  <p>ANTI-ROLL BAR 1.2 MM</p>	<p>162474</p>  <p>ANTI-ROLL BAR 1.4 MM</p>
<p>162476</p>  <p>ANTI-ROLL BAR 1.6 MM</p>	<p>162478</p>  <p>ANTI-ROLL BAR 1.8 MM</p>	<p>162480</p>  <p>ANTI-ROLL BAR 2.0 MM</p>	<p>162573</p>  <p>ALU STEERING PLATE 4-HOLE</p>
<p>162574</p>  <p>ALU STEERING PLATE 2-HOLE</p>	<p>162650</p>  <p>BALL END 4.92 MM WITH THREAD 6 MM</p>	<p>162651</p>  <p>BALL END 4.92 MM WITH THREAD 8 MM</p>	<p>162652</p>  <p>BALL END 4.92 MM WITH THREAD 10 MM</p>
<p>162002</p>  <p>DIFF BULKHEAD BLOCK SET FRONT</p>	<p>162003</p>  <p>DIFF BULKHEAD BLOCK SET REAR</p>	<p>104930</p>  <p>COMPOSITE GEAR DIFF BEVEL & SATELLITE GEARS (2+4)</p>	<p>104932</p>  <p>COMPOSITE GEAR DIFF BEVEL & SATELLITE GEAR (2+4) -LOW</p>
<p>104980</p>  <p>COMPOSITE GEAR DIFF CROSS PIN</p>	<p>104990</p>  <p>DIFF GASKET</p>	<p>164901</p>  <p>GEAR CENTER DIFFERENTIAL(84T) - SET</p>	<p>164902</p>  <p>GEAR DIFFERENTIAL FOR 35T - SET</p>
<p>164903</p>  <p>GEAR CENTER DIFFERENTIAL(81T) - SET</p>	<p>164910</p>  <p>COMPOSITE GEAR DIFFERENTIAL CASE</p>	<p>164911</p>  <p>COMPOSITE CENTER GEAR DIFFERENTIAL ADAPTER</p>	<p>164935</p>  <p>COMPOSITE DIFF. BEVEL GEAR 35T - V2</p>

<p>164955</p>  <p>STEEL DIFFERENTIAL BEVEL GEAR 35T</p>	<p>164981</p>  <p>COMPOSITE CENTER DIFF SPUR GEAR 81T / 48P</p>	<p>164984</p>  <p>COMPOSITE CENTER DIFF SPUR GEAR 84T / 48P</p>	<p>164990</p>  <p>COMPOSITE BEVEL GEAR BUSHING</p>
<p>165114</p>  <p>COMPOSITE BEVEL DRIVE GEAR 14T</p>	<p>165134</p>  <p>STEEL BEVEL DRIVE GEAR 14T</p>	<p>135080</p>  <p>DIFF PIN 3.5*23.5mm</p>	<p>164970</p>  <p>CENTER DIFF OUTDRIVE ADAPTER - SPRING STEEL</p>
<p>131205</p>  <p>H12</p> <p>ALU WHEEL HUB H12*5MM</p>	<p>131212</p>  <p>H12</p> <p>ALU WHEEL HUB H12*12MM</p>	<p>165350</p>  <p>H14</p> <p>ALU WHEEL HUB 14MM*5MM</p>	<p>165352</p>  <p>H14</p> <p>ALU WHEEL HUB 14MM - OFFSET "+0.75MM"</p>
<p>165353</p>  <p>H12</p> <p>ALU WHEEL HUB 12MM</p>	<p>165355</p>  <p>H12</p> <p>ALU WHEEL HUB 12MM - OFFSET "+0.75MM"</p>	<p>165356</p>  <p>H12</p> <p>ALU WHEEL HUB 12MM - OFFSET "+1.50MM"</p>	<p>165357</p>  <p>H12</p> <p>ALU WHEEL HUB 12MM - OFFSET "+2.25MM"</p>
<p>165358</p>  <p>H12</p> <p>ALU WHEEL HUB 12MM - OFFSET "+3.00MM"</p>	<p>165359</p>  <p>H12</p> <p>ALU WHEEL HUB 12MM - OFFSET "+3.75MM"</p>	<p>165360</p>  <p>H12</p> <p>ALU WHEEL HUB 12MM - OFFSET "+4.5MM"</p>	<p>165220</p>  <p>FRONT DRIVE SHAFT 81MM / 74MM WITH 3.0MM PIN - SPRING STEEL</p>
<p>165322</p>  <p>REAR DRIVE SHAFT 68MM / 61.5MM WITH 3.0MM PIN - SPRING STEEL</p>	<p>165340</p>  <p>REAR DRIVE AXLE 5*40MM - SPRING STEEL</p>	<p>165230</p>  <p>DRIVE SHAFT COUPLING</p>	<p>165440</p>  <p>CENTRAL SHAFT UNIVERSAL JOINT 5*24MM - SPRING STEEL</p>

<p>165240</p>  <p>FRONT DRIVE AXLE 5*28MM - SPRING STEEL</p>	<p>165425</p>  <p>CENTRAL DRIVE SHAFT 95MM / 89MM WITH 3.0MM PIN - SPRING STEEL</p>	<p>165426</p>  <p>CENTRAL DRIVE SHAFT 72MM / 66MM WITH 3.0MM PIN - SPRING STEEL</p>	<p>165427</p>  <p>CENTRAL DRIVE SHAFT 105MM / 99MM WITH 3.0MM PIN - SPRING STEEL</p>
<p>165428</p>  <p>CENTRAL DRIVE SHAFT 82MM / 76MM WITH 3.0MM PIN - SPRING STEEL</p>	<p>118061</p>  <p>REAR CVD UNIVERSAL JOINT ASSEMBLY-68/61.5mm 3.0PIN S2</p>	<p>118674</p>  <p>FRONT CVD UNIVERSAL JOINT ASSEMBLY-81/74mm 3.0PIN S2</p>	<p>118066</p>  <p>CENTRAL-FRONT CVD UNIVERSAL JOINT ASSEMBLY 72 MM - HOLE 66 MM 3.0PIN S2</p>
<p>118076</p>  <p>CENTRAL-FRONT CVD UNIVERSAL JOINT ASSEMBLY 82 MM - HOLE 76 MM 3.0 PIN S2</p>	<p>118089</p>  <p>CENTRAL-REAR CVD UNIVERSAL JOINT ASSEMBLY 95 MM - HOLE 89 MM 3.0 PIN S2</p>	<p>118099</p>  <p>CENTRAL-REAR CVD UNIVERSAL JOINT ASSEMBLY 105 MM - HOLE 99 MM 3.0 PIN S2</p>	<p>165470</p>  <p>COMPOSITE DRIVE SHAFT SAFETY COLLAR - V2</p>
<p>165471-K</p>  <p>ALU DRIVE SHAFT SAFETY COLLAR - BLACK</p>	<p>165471-S</p>  <p>ALU. DRIVE SHAFT COLLAR - SILVER</p>	<p>168030</p>  <p>SHOCK PISTONS - COMPLETE SET - DERLIN</p>	<p>124222 2hole 124223 3hole 124224 4hole 124226 6hole</p>  <p>IMPACT PISTON-CNC MACHINING</p>
<p>124229</p>  <p>SHOCK PISTONS - COMPLETE SET -CNC MACHINING</p>	<p>168010</p>  <p>COMPOSITE SHOCK PARTS</p>	<p>168040</p>  <p>ALU SHOCK ADJUSTABLE NUT</p>	<p>168051</p>  <p>ALU SHOCK CAP-NUT WITH VENT HOLE</p>
<p>141435</p>  <p>ALU FRONT SHOCK BODY - HARD COATED 14.5X35MM</p>	<p>141450</p>  <p>ALU REAR SHOCK BODY - HARD COATED 14.5X40MM</p>	<p>168160 3x45</p>  <p>FRONT HARDENED SHOCK SHAFT 3*45MM</p>	<p>168260 3x50</p>  <p>REAR HARDENED SHOCK SHAFT 3*50MM</p>

141055



ALU LOWER SHOCK BODY CAP

124403



SHOCK BOTTOM COVER 3.7 * 3.0

120053



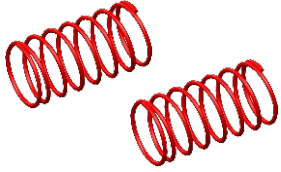
ALU SHOCK BOTTOM CAP SET WITH ORING 3.7x3.0

163240



BALL UNIVERSAL 5.8MM WITH BACKSTOP

156190



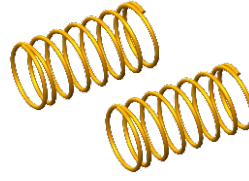
1.1 * 60 * 9.0 SUSPENSION SPRING RD

156195



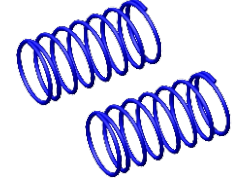
1.1 * 60 * 9.5 SUSPENSION SPRING SR

156110



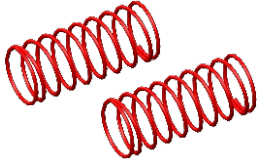
1.1 * 60 * 10 SUSPENSION SPRING YE

156111



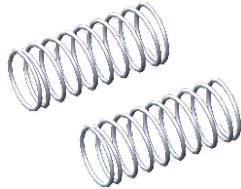
1.1 * 60 * 10.5 SUSPENSION SPRING BL

154280



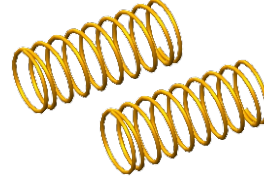
1.2 * 45 * 8.0 SUSPENSION SPRING RD

154285



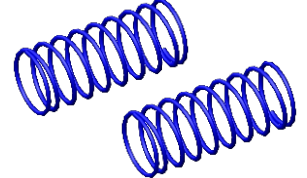
1.2 * 45 * 8.5 SUSPENSION SPRING SR

154290



1.2 * 45 * 9.0 SUSPENSION SPRING YE

154295



1.2 * 45 * 9.5 SUSPENSION SPRING BL

148093



REAR SHOCK ABSORBERS COMPLETE SET 40mm 14.5x90mm

148083



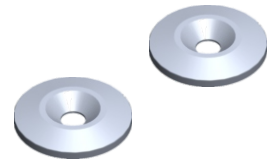
FRONT SHOCK ABSORBERS COMPLETE SET 35 MM, 14.5 X 80 MM

106310



ANTENNA

153561



ALU REAR WING SHIM

107871



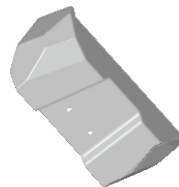
BATTERY ANTI-SLIP PAD 15 * 200 MM

107872



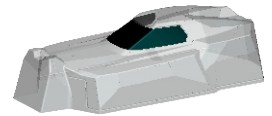
VELCRO STRAP 10 X 500 MM

128408



REAR WING, OFF-ROAD BODY

128406



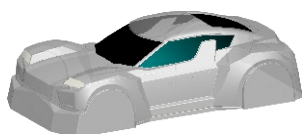
OFF-ROAD BODY (PC) WITH DECAL SHEETS AND WINDOWS MASK

128490



OFF ROAD BODY DECAL SHEET

128407



SHORT-COURSE BODY (PC) WITH DECAL SHEETS AND WINDOWS MASK

128491



SHORT-COURSE BODY DECAL SHEET

121324



PROTECTION RACK

196336

4WD FRONT TYRE AND RIM HEX 12MM, 15 SPOKES, 90*36 MM- BLACK

196342

4WD REAR TYRE AND RIM HEX 12MM, 15 SPOKES, 90*42 MM- BLACK

920345 45mm
920350 50mm
920355 55mm

ADJ. TURNBUCKLE L/R - SPRING STEEL

940060

BODY CLIPS

169000

DK4 SET OF HIGH-SPEED BALL BEARINGS (22)

169300

DK4 MOUNTING HARDWARE PACKAGE - SET

994018 18T 994030 30T
994019 19T 994031 31T
994020 20T 994032 32T
994021 21T 994033 33T
994022 22T 994034 34T
994023 23T 994035 35T
994024 24T 994036 36T
994025 25T 994037 37T
994026 26T 994038 38T
994027 27T 994039 39T
994028 28T 994040 40T
994029 29T

48p

PINION GEAR ALU HARD COATED

994013 18T-30T

48P

PINION GEAR ALU HARD COATED

915325 M3x2.5	915504 M5x4
915303 M3x3	915505 M5X5
915304 M3x4	915506 M5x6
915306 M3x6	
915308 M3x8	
915310 M3x10	
915312 M3x12	
915314 M3x14	

HEX SET SCREW

916205 M2x5	916406 M4x6
916256 M2.5x6	916410 M4x10
916251 M2.5x10	916412 M4x12
	916416 M4x16
916308 M3x8	916420 M4x20
916310 M3x10	916425 M4x25
916312 M3x12	
916314 M3x14	
916316 M3x16	
916318 M3x18	
916320 M3x20	
916322 M3x22	
916325 M3x25	

HEX SOCKET CAP SCREW

917256 M2.5x6	917406 M4x6
917258 M2.5x8	917408 M4x8
917250 M2.5x10	917410 M4x10
917304 M3x4	917412 M4x12
917306 M3x6	917414 M4x14
917308 M3x8	917416 M4x16
917310 M3x10	917418 M4x18
917312 M3x12	917420 M4x20
917314 M3x14	917422 M4x22
917316 M3x16	917425 M4x25
917318 M3x18	
917320 M3x20	

HEX SCREW FLAT HEAD

918205 M2x5	918406 M4x6
918206 M2x6	918408 M4x8
918208 M2x8	918410 M4x10
918210 M2x10	918412 M4x12
918256 M2.5x6	918414 M4x14
918110 M2.5x10	918416 M4x16
918112 M2.5x12	918418 M4x18
918114 M2.5x14	918420 M4x20
918304 M3x4	918425 M4x25
918305 M3x5	
918306 M3x6	
918308 M3x8	
918310 M3x10	
918312 M3x12	
918314 M3x14	
918316 M3x16	
918318 M3x18	
918320 M3x20	

HEX SCREW ROUND HEAD

940025 C2.5
940030 C3.0
940040 C4.0
940050 C5.0

E-CLIP

940360-5	3x6x0.5
940360-5-o	3x6x0.5-o
940360-5-k	3x6x0.5-k
940361	3x6x1
940361-o	3x6x1-o
940361-k	3x6x1-k
940362	3x6x2
940362-o	3x6x2-o
940362-k	3x6x2-k
940363	3x6x3
940363-o	3x6x3-o
940363-k	3x6x3-k
940364	3x6x4
940365	3x6x5
940366	3x6x6

ALU SHIM

947362 3x6x2
947362-o 3x6x2-o
947362-k 3x6x2-k

ALU CONICAL SHIM

940265	2.6x6
940272	2.6x7
940373	3x7x0.3
940375	3x7x0.5
943592	3.5x9x0.2
943593	3.5x9x0.3
943594	3.5x9x0.4
945121	5x12x0.1
945122	5x12x0.2
945123	5x12x0.3
941502	12x14.8x0.2
941503	12x14.8x0.3

WASHER

960615	6x1.5
960702	7x2
960902	9x2
960925	9x2.5
969522	9.5x2.2
961001	10x1
961003	10x3
961201	12x1
961301	13x1
961401	14x1
961501	15x1
961601	16x1
961515	15x1.5
961715	17x1.5

SILICONE O-RING

127003

SHOCK ABSORBER RUBBER 3*3.2*6mm

930508	5x8x2.5
930510	5x10x4
930512	5x12x4
930814	8x14x4
931015	10x15x4

BALL-BEARING

919300
919400

NUT

919403
919402 ALU

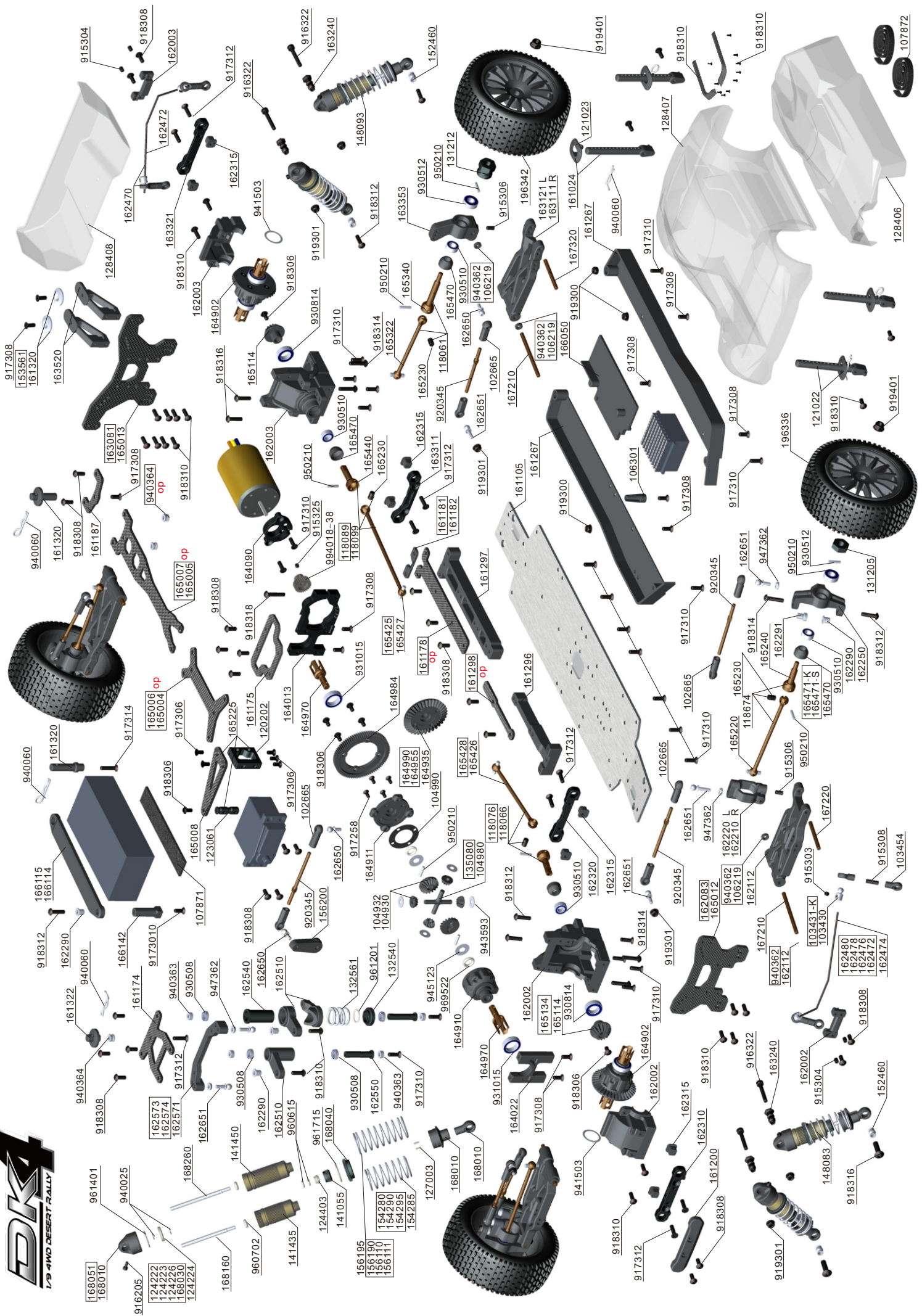
WHEEL LOCK NUT M4

919301
919401

NUT WITH SERRATED FLANGE

951509	1.5x9.0
951510	1.5x9.8
950209	2.0x9.0
950210	2.0x9.8
950212	2.0x12
950312	3.0x12

PIN



DUKKA
TV9 4WD DESERT RALLY

BLAZE

SURC

DUKKA
TV9 4WD DESERT RALLY



Made in China