

■ EP/EA Series General Parameter

Series	Model	Max Torque(N·m)			Max Torque(in·lb)			0~90° Travel time (S)				
		AC/DC 24V	AC110V AC220V	AC110V AC220V AC380 3PH	AC/DC 24V	AC110V AC220V	AC110V AC220V AC380 3PH	AC/DC 24V	AC110V AC220V	50HZ		
										AC110V AC220V 3PH	60HZ	50HZ
EP	EP20P1	10	10	/	89	89	/	9	6	/	/	/
	EP20P2	14	14	/	124	124	/	11	8	/	/	/
	EP20P3	20	20	/	177	177	/	15	11	/	/	/
	EP50P1	35	35	/	310	310	/	11	8	/	/	/
	EP50P2	50	50	/	443	443	/	14	12	/	/	/
	EP100P1	80	80	/	708	708	/	20	16	/	/	/
	EP100P2	100	100	/	885	885	/	27	18	/	/	/
	EP200P1	150	150	/	1328	1328	/	22	8	/	/	/
	EP200P2	200	200	/	1770	1770	/	31	10.5	/	/	/
	EP200P3	250	250	/	2213	2213	/	35	13	/	/	/
	EP200P4	/	300	/	/	2655	/	/	15	/	/	/
	EP200P5	/	400	/	/	3540	/	/	17	/	/	/
	EP500P1	/	300	/	/	2655	/	/	14	/	/	/
	EP500P2	/	400	/	/	3540	/	/	16	/	/	/
	EP500P3	/	500	/	/	4425	/	/	19	/	/	/
EP500P4	/	650	/	/	5753	/	/	22	/	/	/	
EP500P5	/	800	/	/	7080	/	/	27	/	/	/	
EA	EA200P1	/	/	150	/	/	1328	/	/	30	25	30
	EA200P2	/	/	200	/	/	1770	/	/	30	36	36
	EA500P1	/	/	300	/	/	2655	/	/	19	23	23
	EA500P2	/	/	400	/	/	3540	/	/	25	30	30
	EA500P3	/	/	500	/	/	4425	/	/	30	35	35

Note: 1. The motor for EP series is Brushless DC motor and for EA series is AC asynchronous motor.
2. The travel time for 60Hz is 1.2 times faster than 50Hz.



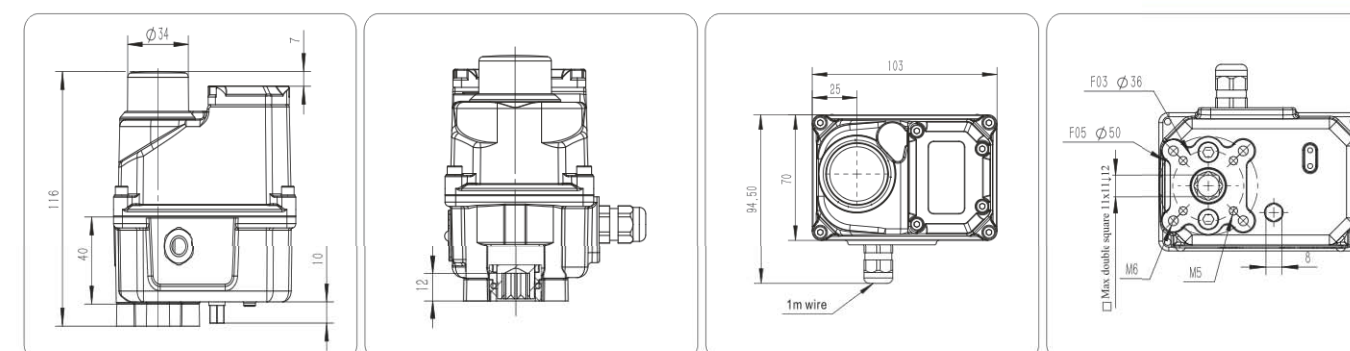
■ EP20 General Parameter / Outline Drawing

General Parameter	0~90° Travel Time (S)	Voltage		Model		P1	P2	P3
						10N·m	14N·m	20N·m
		24V AC/DC		24V AC/DC		9	11	15
		110V AC		110V AC		6	8	11
		220V AC		220V AC		6	8	11
Control Mode	E-Electronic on-off		S-Smart on-off		R-Smart modulating			
Rotation Angle	0~90°		0~90°~180°/0~270°		0~90°			
Duty Cycle	S2 100% (15min)		S4 30%					
Environment Temp.	-25~70°C							
Weight	1.4KGS							
Field Operation Modular	N		Y		Y			
Manual Operation Type	Wrench							
Protection Grade	IP67/NEMA 4/NEMA4X/NEMA6/NEMA6P							
Electric Connection	M18 cable gland with 1m wire							
Motor	Brushless DC motor							
Multi-level protection	Double-level over heat protection (motor/interior actuator) & Over current protection							
Indicator	360° Visible indicator	360° Visible LED indicator	360° Visible indicator					
Heater	3W, The heater works when the ambient temperature is lower than 15°C							
Corrosion Protection	Aluminium alloy enclosure with ISO 12944 C03-02 standard powder painting							
Feedback Signal	Open/Close/Error		3 programmable relays output feedback signals					
Bus Type	Modbus							
Optional Function	Bluetooth/IP68/360° Visible LED indicator/25°C heater/C05 corrosion protection							

Modulating type parameter	Regulating Number	Up to 5 million times, 1200 times starts max/hour	
	Step Accuracy	0.62%/ 160 steps	
	Dead Zone	±0.5% (0.5°)	
	Reaction Time	<1S	
	Linearity	0.02	
	Bus Type	Modbus	
	Input Signal	1-5V, 2-10V, 4-20mA	
	Output Signal	1-5V, 2-10V, 4-20mA	
Feedback Signal	3 programmable relays output feedback signals		

Model	Power	Rated current(A)				Locked-rotor current(A)			
	W	DC24V	AC24V	AC110V	AC220V	DC24V	AC24V	AC110V	AC220V
EP20P1-P3	10	0.7	1	0.32	0.18	1.35	2.25	0.45	0.35

EP20P1-P3



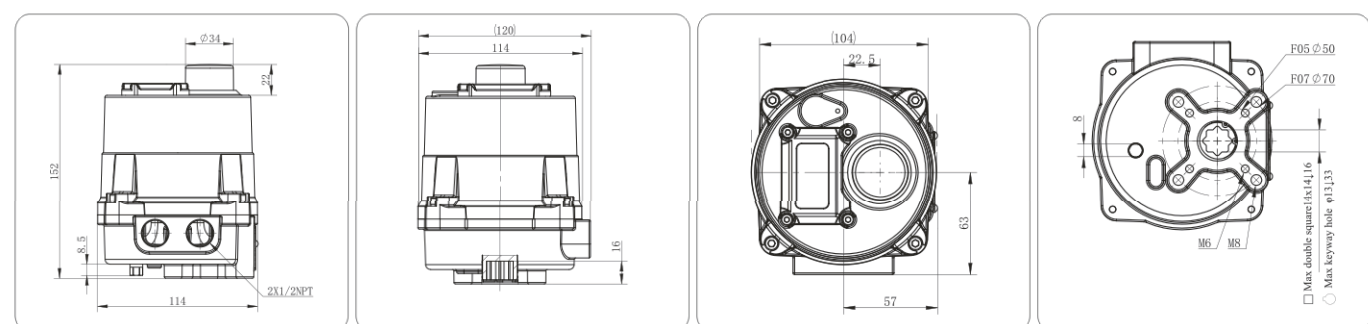
■ EP50 General Parameter / Outline Drawing

General Parameter	0~90° Travel Time (S)	Model		P1	P2
		Voltage		35N·m	50N·m
		24V AC/DC	11	14	
		110V AC	8	12	
220V AC	8	12			
Control Mode	E-Electronic on-off	S-Smart on-off	R-Smart modulating		
Rotation Angle	0~90°	0~90~180°/0~270°	0~90°		
Duty Cycle	S2 100% (15min)		S4 30%		
Environment Temp.	-25~70°C				
Weight	2.1kg				
Field Operation Modular	N	Y	Y		
Manual Operation Type	Wrench				
Protection Grade	IP67/NEMA 4/NEMA4X/NEMA6/NEMA6P				
Electric Connection	2*1/2NPT cable gland with 1m wire				
Motor	Brushless DC motor				
Multi-level protection	Double-level over heat protection (motor/interior actuator) & Over current protection				
Indicator	360° Visible indicator	360° Visible LED indicator	360° Visible indicator		
Heater	15W, The heater works when the ambient temperature is lower than 15°C				
Corrosion Protection	Aluminium alloy enclosure with ISO 12944 C03-02 standard powder painting				
Feedback Signal	Open/Close/Error	3 programmable relays output feedback signals			
Bus Type	Modbus				
Optional Function	Bluetooth/IP68/360° Visible LED indicator/25°C heater/C05 corrosion protection				

Modulating type parameter	Regulating Number	Up to 5 million times, 1200 times starts max/hour
	Step Accuracy	0.62%/ 160 steps
	Dead Zone	±0.5% (0.5°)
	Reaction Time	<1S
	Linearity	0.02
	Bus Type	Modbus
	Input Signal	1-5V, 2-10V, 4-20mA
	Output Signal	1-5V, 2-10V, 4-20mA
	Feedback Signal	3 programmable relays output feedback signals

Model	Power W	Rated current(A)				Locked rotor current(A)			
		DC24V	AC24V	AC110V	AC220V	DC24V	AC24V	AC110V	AC220V
EP50P1-P2	15	1.4	1.9	0.65	0.45	3.75	3.15	1.55	0.78

EP50P1-P2



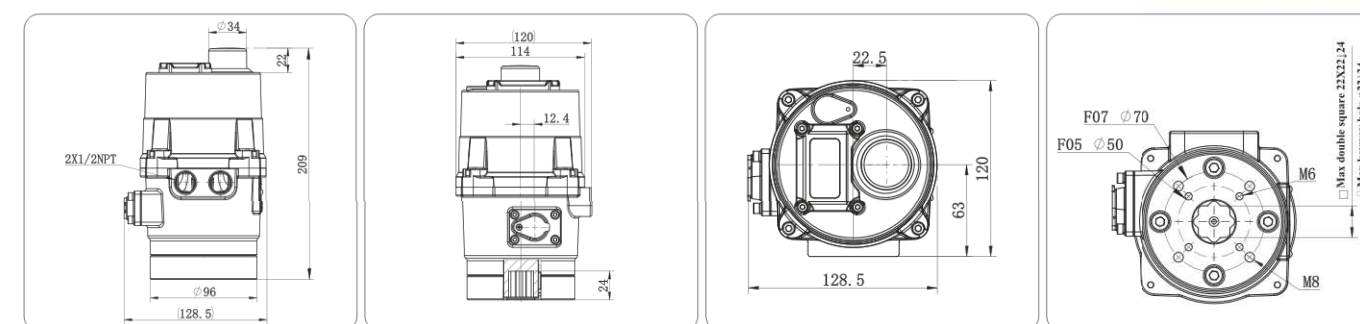
■ EP100 General Parameter / Outline Drawing

General Parameter	0~90° Travel Time (S)	Model		P1	P2
		Voltage		80N·m	100N·m
		24V AC/DC	20	27	
		110V AC	16	18	
220V AC	16	18			
Control Mode	E-Electronic on-off	S-Smart on-off	R-Smart modulating		
Rotation Angle	0~90°	0~90~180°/0~270°	0~90°		
Duty Cycle	S2 100% (15min)		S4 30%		
Environment Temp.	-25~70°C				
Weight	3.8kgs				
Field Operation Modular	N	Y	Y		
Manual Operation Type	Wrench				
Protection Grade	IP67/NEMA 4/NEMA4X/NEMA6/NEMA6P				
Electric Connection	2*1/2NPT cable gland with 1m wire				
Motor	Brushless DC motor				
Multi-level protection	Double-level over heat protection (motor/interior actuator) & Over current protection				
Indicator	360° Visible indicator	360° Visible LED indicator	360° Visible indicator		
Heater	15W, The heater works when the ambient temperature is lower than 15°C				
Corrosion Protection	Aluminium alloy enclosure with ISO 12944 C03-02 standard powder painting				
Feedback Signal	Open/Close/Error	3 programmable relays output feedback signals			
Bus Type	Modbus				
Optional Function	Bluetooth/IP68/360° Visible LED indicator/25°C heater/C05 corrosion protection				

Modulating type parameter	Regulating Number	Up to 5 million times, 1200 times starts max/hour
	Step Accuracy	0.62%/ 160 steps
	Dead Zone	±0.5% (0.5°)
	Reaction Time	<1S
	Linearity	0.02
	Bus Type	Modbus
	Input Signal	1-5V, 2-10V, 4-20mA
	Output Signal	1-5V, 2-10V, 4-20mA
	Feedback Signal	3 programmable relays output feedback signals

Model	Power W	Rated current(A)				Locked-rotor current(A)			
		DC24V	AC24V	AC110V	AC220V	DC24V	AC24V	AC110V	AC220V
EP100P1-P2	15	1.4	1.8	0.65	0.45	2.65	3.70	1.07	0.72

EP100P1-P2



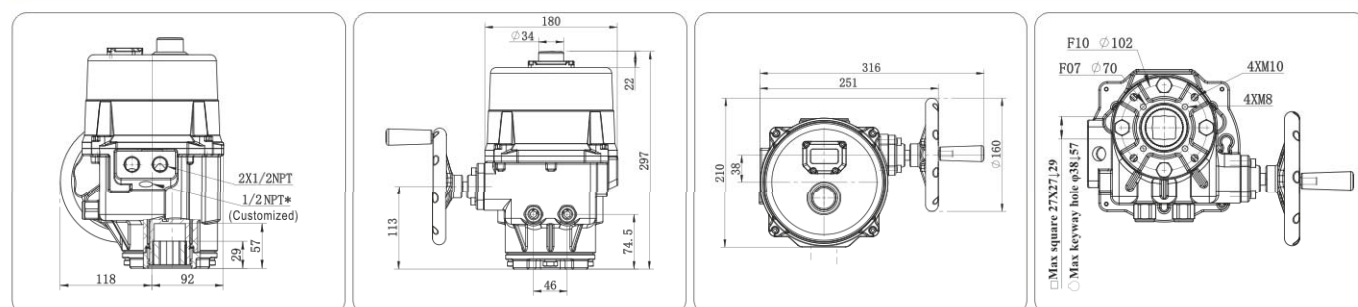
■ EP200 General Parameter / Outline Drawing

General Parameter	0~90° Travel Time (S)	Model					
		Voltage	P1	P2	P3	P4	P5
			150N·m	200N·m	250N·m	300N·m	400N·m
		24V AC/DC	22	31	35	15	17
	110V AC	8	10.5	13	15	17	
	220V AC	8	10.5	13	15	17	
Control Mode	E-Electronic on-off		S-Smart on-off		R-Smart modulating		
Rotation Angle	0~90°		0~90~180°/0~270°		0~90°		
Duty Cycle	S2 100% (30min)		S4 50%				
Environment Temp.	-25~70°C						
Weight	13.7kgs						
Field Operation Modular	N		Y		Y		
Manual Operation Type	Handwheel						
Protection Grade	IP67/NEMA 4/NEMA4X/NEMA6/NEMA6P						
Electric Connection	2*1/2NPT						
Motor	Brushless DC motor						
Multi-level protection	Double-level over heat protection(motor/interior actuator)&Over current protection						
Indicator	360° Visible indicator	360° Visible LED indicator		360° Visible indicator			
Heater	25W,The heater works when the ambient temperature is lower than 15°C						
Corrosion Protection	Aluminium alloy enclosure with ISO 12944 C03-02 standard powder painting						
Feedback Signal	Open/Close/Error	3 programmable relays output feedback signals					
Bus Type	Modbus						
Optional Function	Bluetooth/IP68/360° Visible LED indicator/25°C heater/C05 corrosion protection						

Modulating type parameter	Regulating Number	Up to 2 million times, 600 times starts max/hour	
	Step Accuracy	0.62%/ 160 steps	
	Dead Zone	±0.5% (0.5°)	
	Reaction Time	<1S	
	Linearity	0.02	
	Bus Type	Modbus	
	Input Signal	1-5V,2-10V,4-20mA	
	Output Signal	1-5V,2-10V,4-20mA	
	Feedback Signal	3 programmable relays output feedback signals	

Model	Power W	Rated current(A)				Locked-rotor current(A)			
		DC24V	AC24V	AC110V	AC220V	DC24V	AC24V	AC110V	AC220V
EP200P1-P3	100/80(24V)	1.25	1.3	1.32	0.85	1.88	1.95	1.98	1.28
EP200P4-P5	100			2.2	1.2			3.3	1.8

EP200P1-P5



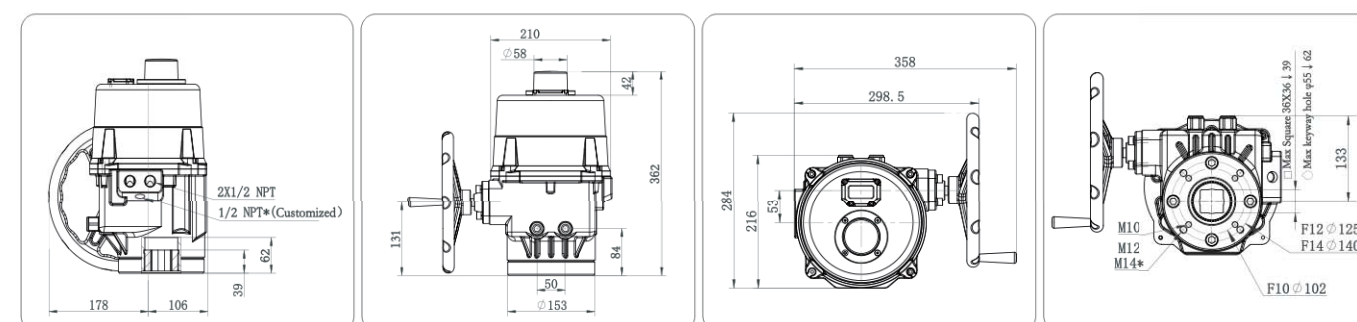
■ EP500 General Parameter / Outline Drawing

General Parameter	0~90° Travel Time (S)	Model					
		Voltage	P1	P2	P3	P4	P5
			300N·m	400N·m	500N·m	650N·m	800N·m
		110V AC	14	16	19	22	27
	220V AC	14	16	19	22	27	
Control Mode	E-Electronic on-off		S-Smart on-off		R-Smart modulating		
Rotation Angle	0~90°		0~90~180°/0~270°		0~90°		
Duty Cycle	S2 100% (60min)		S4 50%[P1-P3]/S4 70%[P4-P5]				
Environment Temp.	-25~70°C						
Weight	24kgs						
Field Operation Modular	N		Y		Y		
Manual Operation Type	Handwheel						
Protection Grade	IP67/NEMA 4/NEMA4X/NEMA6/NEMA6P						
Electric Connection	2*1/2NPT						
Motor	Brushless DC motor						
Multi-level protection	Double-level over heat protection(motor/interior actuator)&Over current protection						
Indicator	360° Visible indicator	360° Visible LED indicator		360° Visible indicator			
Heater	25W,The heater works when the ambient temperature is lower than 15°C						
Corrosion Protection	Aluminium alloy enclosure with ISO 12944 C03-02 standard powder painting						
Feedback Signal	Open/Close/Error	3 programmable relays output feedback signals					
Bus Type	Modbus						
Optional Function	Bluetooth/IP68/360° Visible LED indicator/25°C heater/C05 corrosion protection						

Modulating type parameter	Regulating Number	Up to 2 million times, 600 times starts max/hour	
	Step Accuracy	0.62%/ 160 steps	
	Dead Zone	±0.5% (0.5°)	
	Reaction Time	<1S	
	Linearity	0.02	
	Bus Type	Modbus	
	Input Signal	1-5V,2-10V,4-20mA	
	Output Signal	1-5V,2-10V,4-20mA	
	Feedback Signal	3 programmable relays output feedback signals	

Model	Power W	Rated current(A)		Locked-rotor current(A)	
		AC110V	AC220V	AC110V	AC220V
EP500P1-P5	100	2.2	1.2	3.30	1.80

EP500P1-P5



Order Instruction for EP series

EP 20 P1 - E 0 0 N 0 0 T 0 0 A 12

Model	EP20	EP50	EP100	EP200	EP500	EP2000	EP3000	EP4000
-------	------	------	-------	-------	-------	--------	--------	--------

Size	P1	P2	P3	P4	P5
------	----	----	----	----	----

Control mode	E Electronic On-off Type	S Smart On-off Type	R Modulating type	G Switch On-off Type
--------------	--------------------------	---------------------	-------------------	----------------------

Operation angle	1 0°~90°	2 0°~45°~90° (S Type)	3 0°~180° (S Type)	4 0°~90°~180° (S Type)	5 0°~270° (S Type)
-----------------	----------	-----------------------	--------------------	------------------------	--------------------

Outage mode	1 Manual override	2 Rechargeable li-ion battery	3 Rechargeable supercapacitor	4 Spring return, fail close(developing)	5 Spring return, fail open(developing)
-------------	-------------------	-------------------------------	-------------------------------	---	--

Corrosion protection	D C3-02	E C3-03	F C3-04	G C3-05
----------------------	---------	---------	---------	---------

Water-proof grade	1 IP67	2 IP68	3 NEMA 4	4 NEMA 4X	5 NEMA 6	5 NEMA 6P
-------------------	--------	--------	----------	-----------	----------	-----------

Customize function (Multi-choice)	0 None	1 Labor-saving manual operation modular	2 Mechanical over-torque protection
Remark : Items marked with (12) refers to both 1&2 functions are selected.			

Condensate preventing	A None	B Yes
-----------------------	--------	-------

Position indication	0 None	1 360° visible indicator	2 360° visible LED indicator
---------------------	--------	--------------------------	------------------------------

Outer hanging unit	0 None	1 Field control unit	2 Smart field control unit	3 Non-invasive junction box	4 External power failure reset unit
--------------------	--------	----------------------	----------------------------	-----------------------------	-------------------------------------

Working temperature	T -25~70°C	L -25~65°C	M -25~60°C	C -40~50°C
---------------------	------------	------------	------------	------------

Input voltage	1 12V DC	2 24V AC/DC	3 110V AC/1PH	4 220V AC/1PH
---------------	----------	-------------	---------------	---------------

Note:

- For outage mode selection, capacitor reset mode is only available for EP200 and below sizes. Please refer to Page 21-23 for parameters and outline drawings.
- The customized functions are available for EP200 and above sizes.

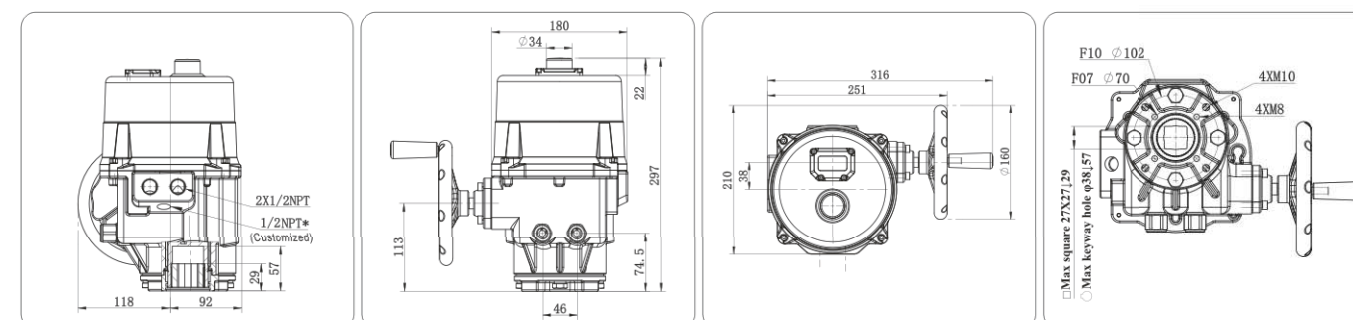
EA200 General Parameter / Outline Drawing

General Parameter	0~90° Travel Time (S)	Model		P1	P2
		Voltage		150N·m	200N·m
		110V AC 1PH 50/60HZ	30/25	36/30	
		220V AC 1PH 50/60HZ	30/25	36/30	
380V AC 3PH 50/60HZ	30/25	36/30			
Control Mode		G-Switch on-off		R-Smart modulating	
Rotation Angle		0~90°			
Duty Cycle		S2 100% (30min)		S4 50%	
Environment Temp.		-25~70°C			
Weight		13kgs			
Field Operation Modular		N		Y	
Manual Operation Type		Handwheel			
Protection Grade		IP67/NEMA 4/NEMA4X/NEMA6/NEMA6P			
Electric Connection		2*1/2NPT			
Motor		AC asynchronism motor			
Multi-level protection		Double-level over heat protection (motor/interior actuator) & Over current protection			
Indicator		360° Visible indicator			
Heater		25W, The heater works when the ambient temperature is lower than 15°C			
Corrosion Protection		Aluminium alloy enclosure with ISO 12944 C03-02 standard powder painting			
Feedback Signal		Open/Close/Error		3 programmable relays output feedback signals	
Bus Type		Modbus			
Optional Function		Bluetooth/IP68/360° Visible LED indicator/25°C heater/C05 corrosion protection			

Modulating type parameter	Regulating Number	Up to 2 million times, 600 times starts max/hour	
	Step Accuracy	0.62%/ 160 steps	
	Dead Zone	±0.5% (0.5°)	
	Reaction Time	<1S	
	Linearity	0.02	
	Bus Type	Modbus	
	Input Signal	1-5V,2-10V,4-20mA	
	Output Signal	1-5V,2-10V,4-20mA	
Feedback Signal	3 programmable relays output feedback signals		

Model	Power W	Rated current(A)		
		AC110V 1PH	AC220V 1PH	AC380V 3PH
EA200P1-P2	40	0.5	0.3	0.15

EA200P1-P2



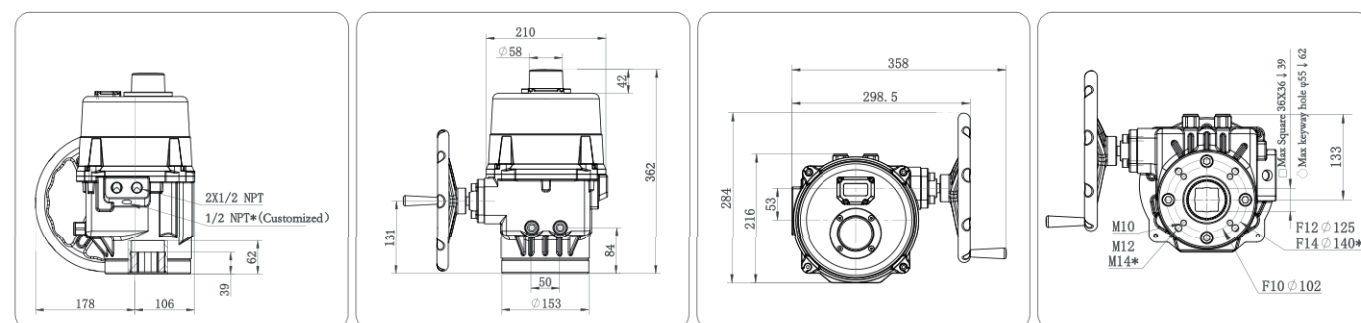
EA500 General Parameter / Outline Drawing

General Parameter	0~90° Travel Time (S)	Model		
		Voltage		
		P1	P2	P3
		300N·m	400N·m	500N·m
	110V AC 1PH 50/60Hz	23/19	30/25	35/30
	220V AC 1PH 50/60Hz	23/19	30/25	35/30
	380V AC 3PH 50/60Hz	23/19	30/25	35/30
Control Mode	G-Switch on-off		R-Smart modulating	
Rotation Angle	0~90°			
Duty Cycle	S2 100% (30min)		S4 50%	
Environment Temp.	-25~70°C			
Weight	24kgs			
Field Operation Modular	N		Y	
Manual Operation Type	Handwheel			
Protection Grade	IP67/NEMA 4/NEMA4X/NEMA6/NEMA6P			
Electric Connection	2*1/2NPT			
Motor	AC asynchronism motor			
Multi-level protection	Double-level over heat protection(motor/interior actuator)&Over current protection			
Indicator	360° Visible indicator			
Heater	25W,The heater works when the ambient temperature is lower than 15 °C			
Corrosion Protection	Aluminium alloy enclosure with ISO 12944 C03-02 standard powder painting			
Feedback Signal	Open/Close/Error	3 programmable relays output feedback signals		
Bus Type	Modbus			
Optional Function	Bluetooth/IP68/360° Visible LED indicator/25°C heater/C05 corrosion protection			

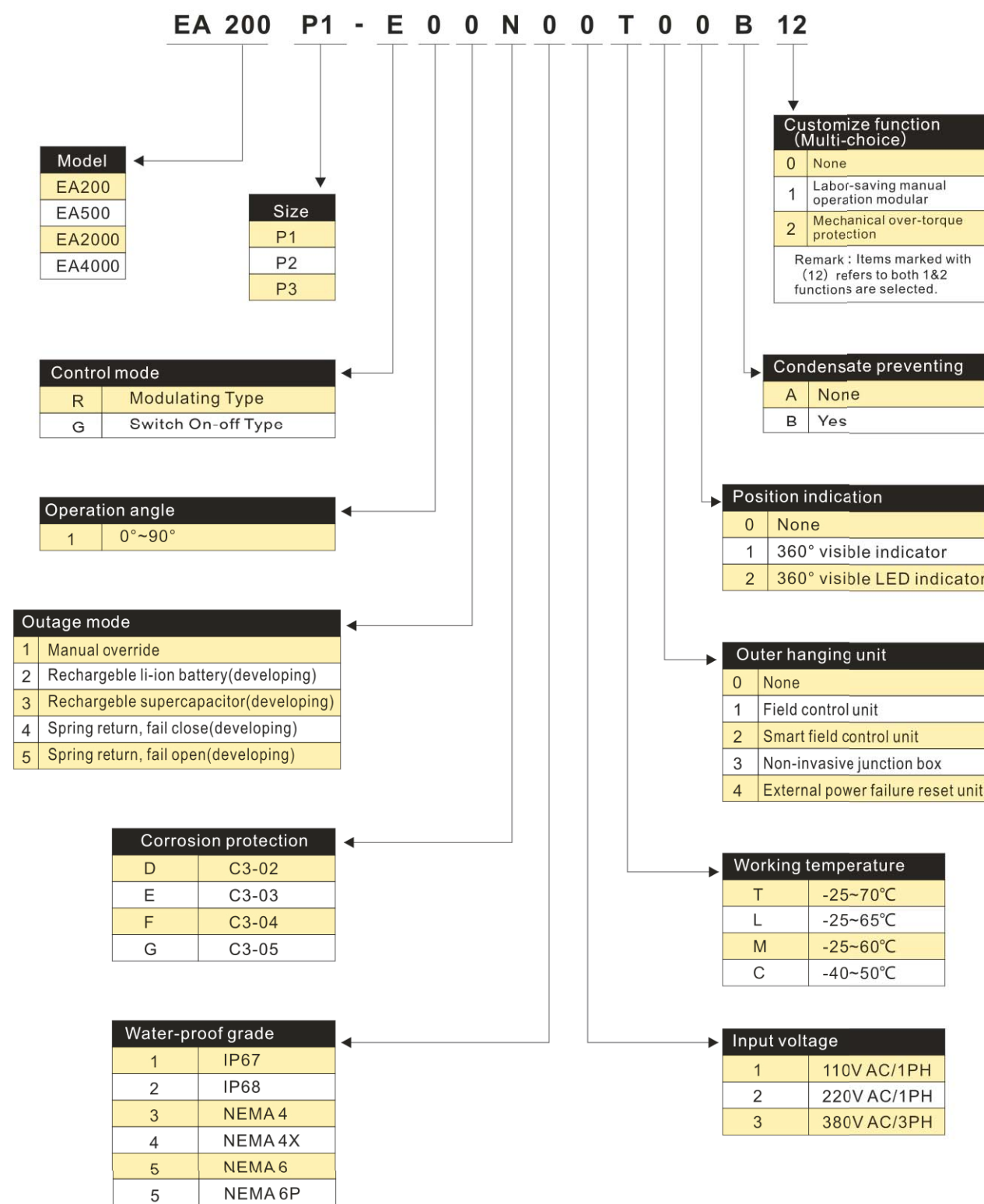
Modulating type parameter	Regulating Number	Up to 2 million times, 600 times starts max/hour
	Step Accuracy	0.62%/ 160 steps
	Dead Zone	±0.5% (0.5°)
	Reaction Time	<1S
	Linearity	0.02
	Bus Type	Modbus
	Input Signal	1-5V,2-10V,4-20mA
	Output Signal	1-5V,2-10V,4-20mA
	Feedback Signal	3 programmable relays output feedback signals

Model	Power W	Rated current(A)		
		AC110V 1PH	AC220V 1PH	AC380V 3PH
EA500P1-P3	90	1.4	0.6	0.3

EA500P1-P3



Order Instruction for EA series



■ EPQ 0~90° ≤5 Sec Quick Open Series General Parameter

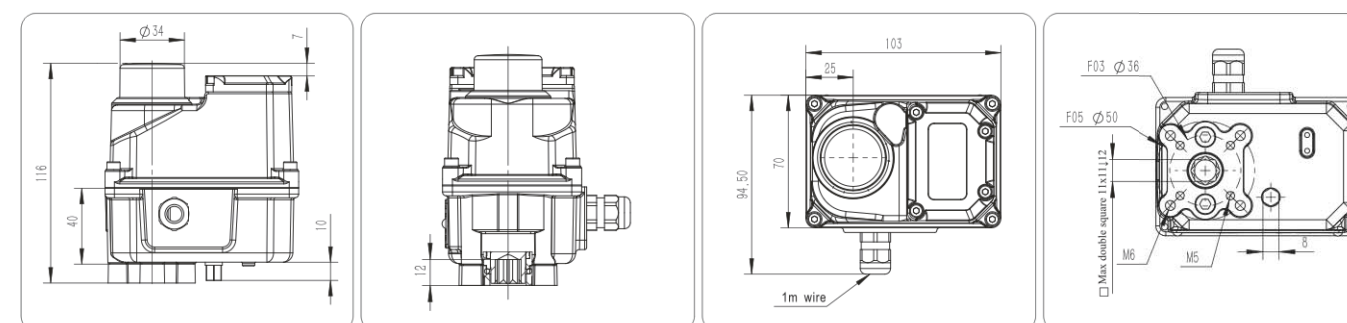
Series	Model	0~90° Travel time(S)		Max Torque(N·m)		Max Torque(in-lb)	
		AC/DC24V	AC110V AC220V	AC/DC24V	AC110V AC220V	AC/DC24V	AC110V AC220V
EPQ	EPQ115	≤5	≤5	8	8	71	71
	EPQ215	≤5	≤5	23	23	204	204
	EPQ315	≤5	≤5	50	50	443	443
	EPQ415	≤5	≤5	80	80	708	708
	EPQ425	≤5	≤5	120	150	1062	1328
	EPQ515	/	≤5	/	300	/	2655
	EPQ525	/	≤5	/	400	/	3540
	EPQ535	/	≤5	/	500	/	4425
	EPQ545	/	≤5	/	650	/	5753



■ EPQ115 General Parameter / Outline Drawing

General Parameter	Model	EPQ115			
	0~90° Travel Time	≤5S			
	Max Torque	9N·m			
	Motor power	10W			
	Voltage	AC24V	DC24V	AC110V	AC220V
	Rated Current(A)	1	0.7	0.32	0.18
	Locked-rotor current(A)	2.25	1.35	0.45	0.35
	Control Mode	E-Electronic on-off		S-Smart on-off	
	Rotation Angle	0~90°		0~90~180°/0~270°	
	Duty Cycle	30%			
	Environment Temp.	-25~70°C			
	Weight	1.4kgs			
	Field Operation Modular	N		Y	
	Manual Operation Type	Wrench			
	Protection Grade	IP67/NEMA 4/NEMA4X/NEMA6/NEMA6P			
	Electric Connection	M18 cable gland with 1m wire			
	Motor	Brushless DC motor			
	Multi-level protection	Double-level over heat protection(motor/interior actuator)&Over current protection			
	Indicator	360° Visible indicator / 360° Visible LED indicator			
Heater	3W,The heater works when the ambient temperature is lower than 15°C				
Corrosion Protection	Aluminium alloy enclosure with ISO 12944 C03-02 standard powder painting				
Feedback Signal	Open/Close/Error		3 programmable relays output feedback signals		
Bus Type	Modbus				
Optional Function	Bluetooth/IP68/25°C heater/C05 corrosion protection				

EPQ115



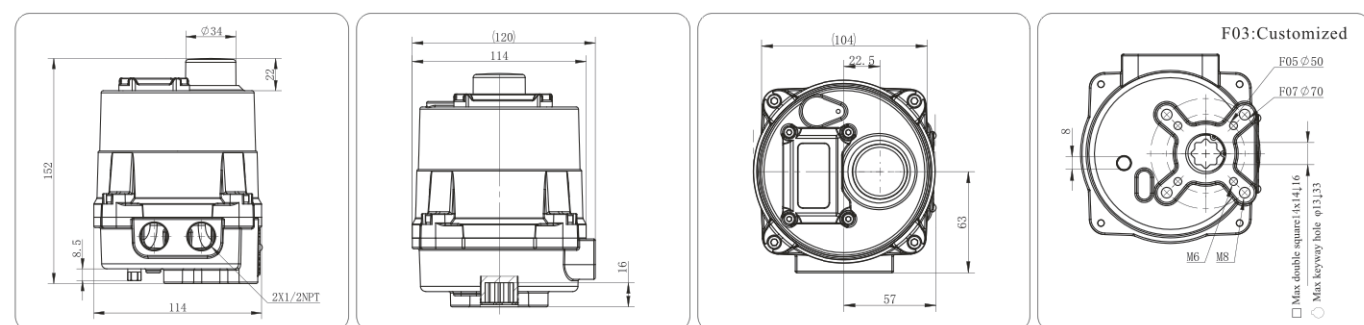
■ EPQ215 General Parameter / Outline Drawing

General Parameter	Model	EPQ215			
	0~90° Travel Time	≤5S			
	Max Torque	23N·m			
	Motor power	30W			
	Voltage	AC24V	DC24V	AC110V	AC220V
	Rated Current(A)	1.9	1.4	0.65	0.45
	Locked-rotor current(A)	3.13	3.75	1.55	0.78
	Control Mode	E-Electronic on-off		S-Smart on-off	
	Rotation Angle	0~90°		0~90~180°/0~270°	
	Duty Cycle	30%			
	Environment Temp.	-25~70°C			
	Weight	2.1kgs			
	Field Operation Modular	N		Y	
	Manual Operation Type	Wrench			
	Protection Grade	IP67/NEMA 4/NEMA4X/NEMA6/NEMA6P			
	Electric Connection	2*1/2NPT cable gland with 1m wire			
	Motor	Brushless DC motor			
	Multi-level protection	Double-level over heat protection(motor/interior actuator)&Over current protection			
	Indicator	360° Visible indicator / 360° Visible LED indicator			
	Heater	15W,The heater works when the ambient temperature is lower than 15°C			
Corrosion Protection	Aluminium alloy enclosure with ISO 12944 C03-02 standard powder painting				
Feedback Signal	Open/Close/Error		3 programmable relays output feedback signals		
Bus Type	Modbus				
Optional Function	Bluetooth/IP68/25°C heater/C05 corrosion protection				

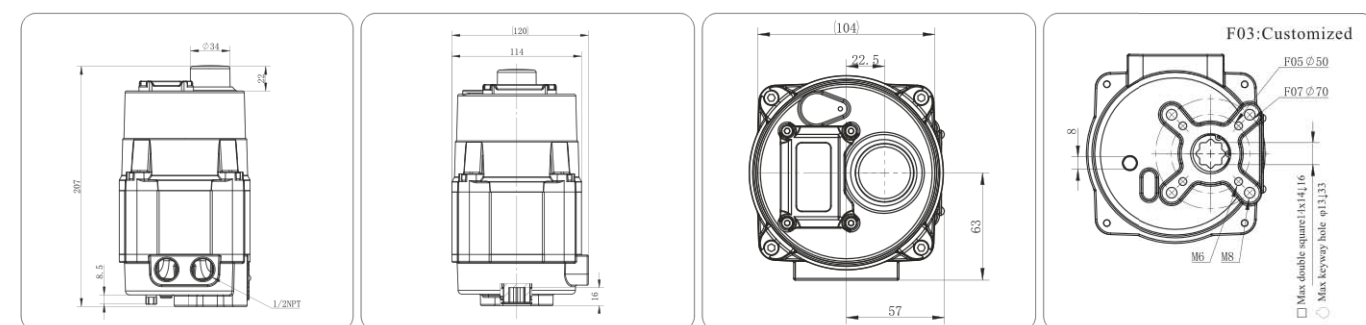
■ EPQ315 General Parameter / Outline Drawing

General Parameter	Model	EPQ315			
	0~90° Travel Time	≤5S			
	Max Torque	50N·m			
	Motor power	30W			
	Voltage	AC24V	DC24V	AC110V	AC220V
	Rated Current(A)	5	4	1.7	0.75
	Locked-rotor current(A)	6.9	6.3	2	1.3
	Control Mode	E-Electronic on-off		S-Smart on-off	
	Rotation Angle	0~90°		0~90~180°/0~270°	
	Duty Cycle	25%			
	Environment Temp.	-25~65°C			
	Weight	2.6kgs			
	Field Operation Modular	N		Y	
	Manual Operation Type	Wrench			
	Protection Grade	IP67/NEMA 4/NEMA4X/NEMA6/NEMA6P			
	Electric Connection	2*1/2NPT cable gland with 1m wire			
	Motor	Brushless DC motor			
	Multi-level protection	Double-level over heat protection(motor/interior actuator)&Over current protection			
	Indicator	360° Visible indicator / 360° Visible LED indicator			
	Heater	15W,The heater works when the ambient temperature is lower than 15°C			
Corrosion Protection	Aluminium alloy enclosure with ISO 12944 C03-02 standard powder painting				
Feedback Signal	Open/Close/Error		3 programmable relays output feedback signals		
Bus Type	Modbus				
Optional Function	Bluetooth/IP68/25°C heater/C05 corrosion protection				

EPQ215



EPQ315



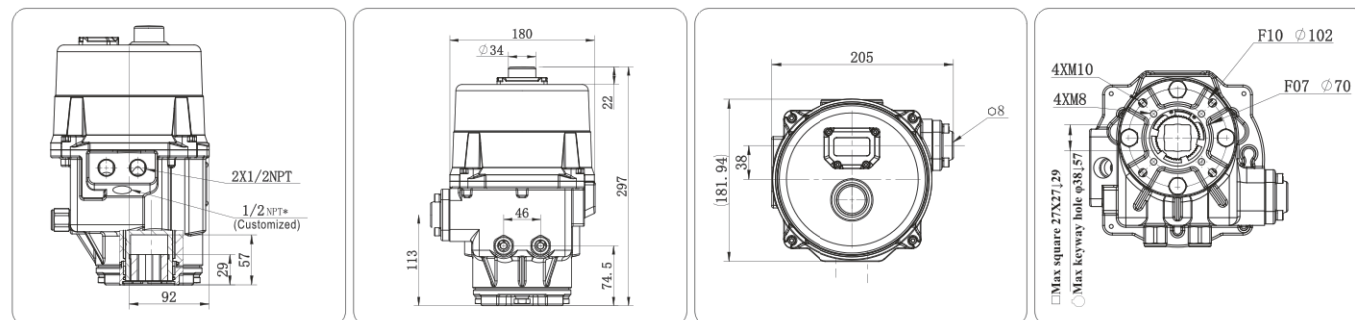
■ EPQ415 General Parameter / Outline Drawing

General Parameter	Model	EPQ415			
	0~90° Travel Time	< 5S			
	Motor power	80W(24V)/100W(AC110V、AC220V)			
	Max Torque	80N·m			
	Voltage	AC24V	DC24V	AC110V	AC220V
	Rated Current(A)	1.3	1.25	1.32	0.85
	Locked-rotor current(A)	1.95	1.88	1.98	1.28
	Control Mode	E-Electronic on-off		S-Smart on-off	
	Rotation Angle	0~90°		0~90~180°/0~270°	
	Duty Cycle	30%			
	Environment Temp.	-25~70°C			
	Weight	12.2kgs			
	Field Operation Modular	N		Y	
	Manual Operation Type	Wrench			
	Protection Grade	IP67/NEMA 4/NEMA4X/NEMA6/NEMA6P			
	Electric Connection	2*1/2NPT			
	Motor	Brushless DC motor			
	Multi-level protection	Double-level over heat protection(motor/interior actuator)&Over current protection			
	Indicator	360° Visible indicator / 360° Visible LED indicator			
	Heater	15W,The heater works when the ambient temperature is lower than 15°C			
Corrosion Protection	Aluminium alloy enclosure with ISO 12944 C03-02 standard powder painting				
Feedback Signal	Open/Close/Error	3 programmable relays output feedback signals			
Bus Type	Modbus				
Optional Function	Bluetooth/IP68 /25°C heater/C05 corrosion protection				

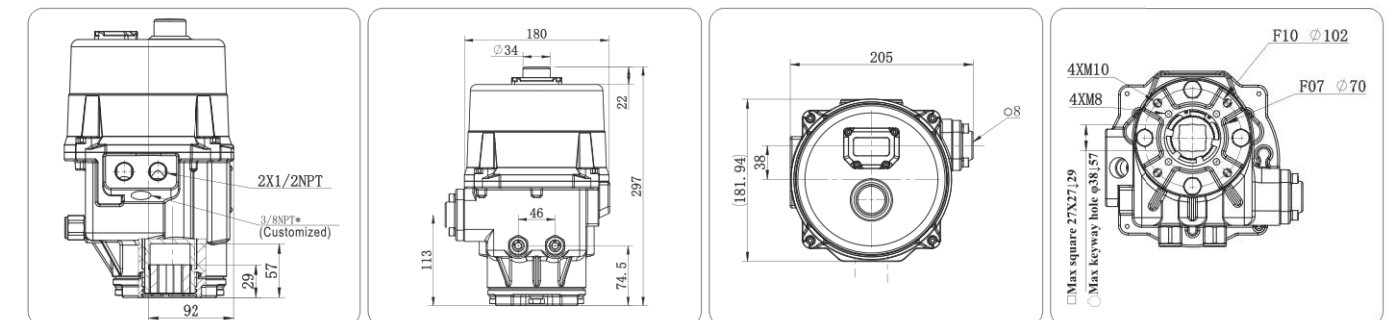
■ EPQ425 General Parameter / Outline Drawing

General Parameter	Model	EPQ425		
	0~90° Travel Time	≤5S		
	Motor power	80W(24V)/100W(AC110V、AC220V)		
	Max Torque	120N·m	150N·m	
	Voltage	DC24V	AC110V	AC220V
	Rated Current(A)	4.5	2.2	1.2
	Locked-rotor current(A)	6.5	3.3	1.8
	Control Mode	E-Electronic on-off		S-Smart on-off
	Rotation Angle	0~90°		0~90~180°/0~270°
	Duty Cycle	30%		
	Environment Temp.	-25~70°C		
	Weight	12.2kgs		
	Field Operation Modular	N		Y
	Manual Operation Type	Wrench		
	Protection Grade	IP67/NEMA 4/NEMA4X/NEMA6/NEMA6P		
	Electric Connection	2*1/2NPT		
	Motor	Brushless DC motor		
	Multi-level protection	Double-level over heat protection(motor/interior actuator)&Over current protection		
	Indicator	360° Visible indicator / 360° Visible LED indicator		
	Heater	15W,The heater works when the ambient temperature is lower than 15°C		
Corrosion Protection	Aluminium alloy enclosure with ISO 12944 C03-02 standard powder painting			
Feedback Signal	Open/Close/Error	3 programmable relays output feedback signals		
Bus Type	Modbus			
Optional Function	Bluetooth/IP68 /25°C heater/C05 corrosion protection			

EPQ415



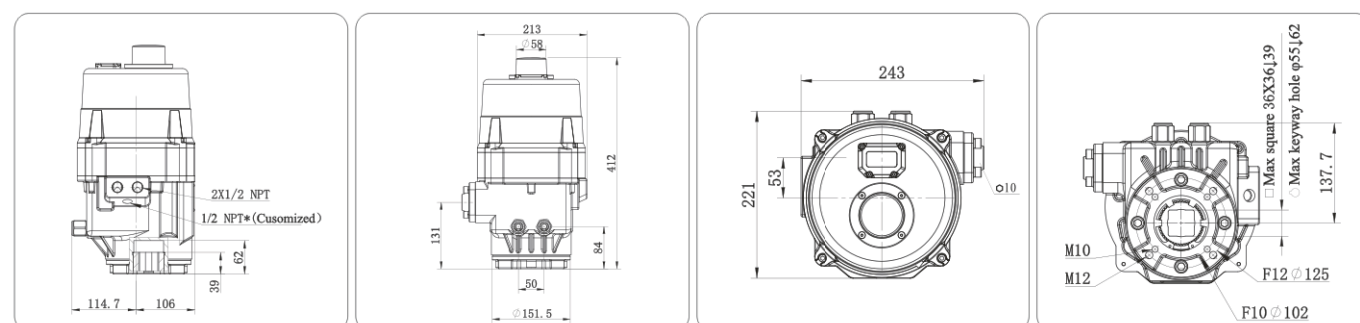
EPQ425



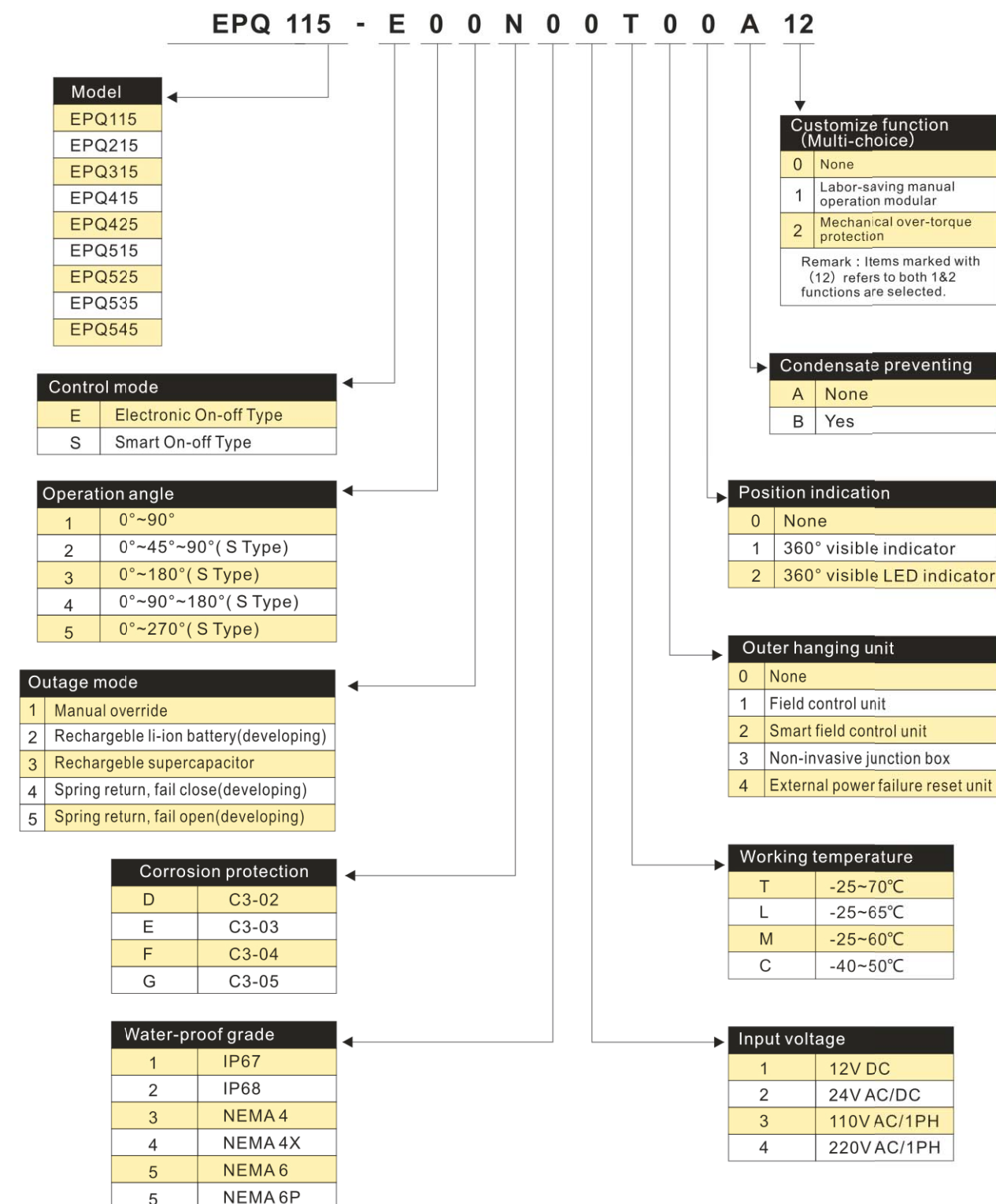
■ EPQ515/525/535/545 General Parameter / Outline Drawing

Model	EPQ515	EPQ525	EPQ535	EPQ545
Max Torque	300N·m	400N·m	500N·m	650N·m
Voltage	AC110V/AC220V	AC110V/AC220V	AC110V/AC220V	AC110V/AC220V
Rated Current(A)	4.3A/2.3A	4.8A/2.4A	5.9A/2.9A	6.9A/3.4A
Locked-rotor current(A)	5.6A/3.0A	6.3A/3.1A	7.7A/3.7A	9.0A/4.4A
0~90° Travel Time	≤5S			
Motor power	550W			
Control Mode	E-Electronic on-off		S-Smart on-off	
Rotation Angle	0~90°		0~90~180°/0~270°	
Duty Cycle	30%			
Environment Temp.	-25~65°C			
Weight	24.8kgs			
Field Operation Modular	N		Y	
Manual Operation Type	Wrench			
Protection Grade	IP67/NEMA 4/NEMA4X/NEMA6/NEMA6P			
Electric Connection	2*1/2NPT			
Motor	Brushless DC motor			
Multi-level protection	Double-level over heat protection(motor/interior actuator)&Over current protection			
Indicator	360° Visible indicator / 360° Visible LED indicator			
Heater	25W, The heater works when the ambient temperature is lower than 15 °C			
Corrosion Protection	Aluminium alloy enclosure with ISO 12944 C03-02 standard powder painting			
Feedback Signal	Open/Close/Error		3 programmable relays output feedback signals	
Bus Type	Modbus			
Optional Function	Bluetooth/IP68 /25°C heater/C05 corrosion protection			

EPQ515-545



■ Order Instruction for EPQ series



Note:

- For outage mode selection, capacitor reset mode is only available for EPQ115/EPQ215/EPQ315. Please refer to Page 21-23 for parameters and outline drawings.
- The customized functions are available for EPQ415 and above sizes.

Super capacitor return model Parameter/Outline drawing

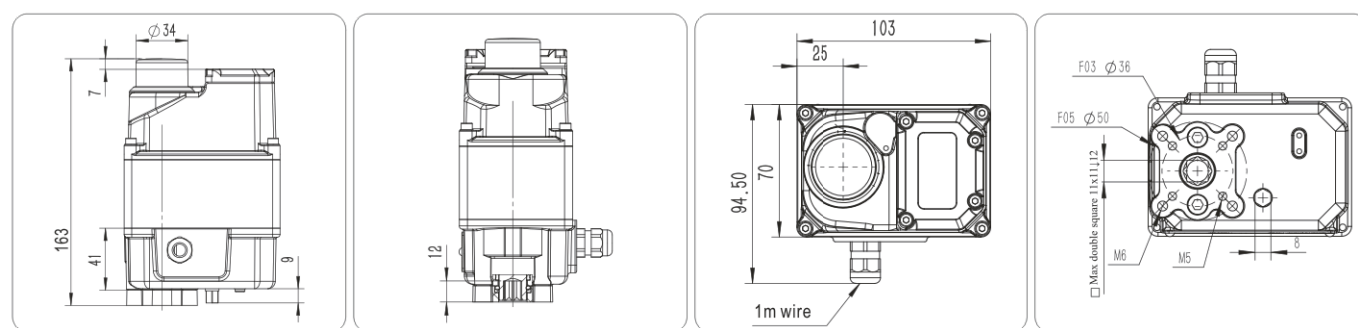
	EP20P1				EP20P2			
	AC24V	DC24V	AC110V	AC220V	AC24V	DC24V	AC110V	AC220V
Voltage	AC24V	DC24V	AC110V	AC220V	AC24V	DC24V	AC110V	AC220V
Rated Current(A)	1	0.7	0.32	0.18	1	0.7	0.32	0.18
Locked-rotor current(A)	2.25	1.35	0.45	0.35	2.25	1.35	0.45	0.35
Max torque	10N·m	10N·m	10N·m	10N·m	14N·m	14N·m	14N·m	14N·m
0~90° Travel Time	9S	9S	6S	6S	11S	11S	8S	8S
Weight	1.7kg				1.7kg			
Capacitor charging time	3min	3min	3min	3min	3min	3min	3min	3min
0~90° travel@Max torque	≥2times	≥3times	≥2times	≥2times	≥2times	≥3times	≥2times	≥2times
0~90° travel@Max torque*0.8	≥3times	≥4times	≥3times	≥3times	≥3times	≥4times	≥3times	≥3times

	EP20P3				EPQ115			
	AC24V	DC24V	AC110V	AC220V	AC24V	DC24V	AC110V	AC220V
Voltage	AC24V	DC24V	AC110V	AC220V	AC24V	DC24V	AC110V	AC220V
Rated Current(A)	1	0.7	0.32	0.18	1	0.7	0.32	0.18
Locked-rotor current(A)	2.25	1.35	0.45	0.35	2.25	1.35	0.45	0.35
Max torque	20N·m	20N·m	20N·m	20N·m	8N·m	8N·m	8N·m	8N·m
0~90° Travel Time	15S	15S	11S	11S	≤5S	≤5S	≤5S	≤5S
Weight	1.7kg				1.7kg			
Capacitor charging time	3min	3min	3min	3min	3min	3min	3min	3min
0~90° travel@Max torque	≥3times	≥3times	≥3times	≥3times	≥2times	≥3times	≥2times	≥2times
0~90° travel@Max torque*0.8	≥4times	≥4times	≥4times	≥4times	≥3times	≥4times	≥3times	≥3times

	EPQ215				EPQ315			
	AC24V	DC24V	AC110V	AC220V	AC24V	DC24V	AC110V	AC220V
Voltage	AC24V	DC24V	AC110V	AC220V	AC24V	DC24V	AC110V	AC220V
Rated Current(A)	1.7	1.2	0.66	0.33	3	3	1.5	0.8
Locked-rotor current(A)	2.3	2.1	1.5	0.6	4.7	6.8	2.1	1.3
Max torque	23N·m	23N·m	23N·m	23N·m	40N·m	50N·m	50N·m	50N·m
0~90° Travel Time	≤5S	≤5S	≤5S	≤5S	≤5S	≤5S	≤5S	≤5S
Weight	2.4kg				3kg			
Capacitor charging time	3min	3min	3min	3min	3min	3min	3min	3min
0~90° travel@Max torque	≥4times	≥5times	≥5times	≥5times	≥2times	≥3times	≥2times	≥2times
0~90° travel@Max torque*0.8	≥6times	≥7times	≥7times	≥7times	≥3times	≥4times	≥3times	≥3times

	EP50P1				EP50P2			
	AC24V	DC24V	AC110V	AC220V	AC24V	DC24V	AC110V	AC220V
Voltage	AC24V	DC24V	AC110V	AC220V	AC24V	DC24V	AC110V	AC220V
Rated Current(A)	1.9	1.4	0.65	0.45	1.9	1.4	0.65	0.45
Locked-rotor current(A)	3.13	3.75	1.55	0.78	3.13	3.75	1.55	0.78
Max torque	35N·m	35N·m	35N·m	35N·m	50N·m	50N·m	50N·m	50N·m
0~90° Travel Time	11S	11S	8S	8S	14S	14S	12S	12S
Weight	2.4KG				2.4KG			
Capacitor charging time	3min	3min	3min	3min	3min	3min	3min	3min
0~90° travel@Max torque	≥3times	≥3times	≥3times	≥3times	≥2times	≥3times	≥2times	≥2times
0~90° travel@Max torque*0.8	≥4times	≥4times	≥4times	≥4times	≥3times	≥4times	≥3times	≥3times

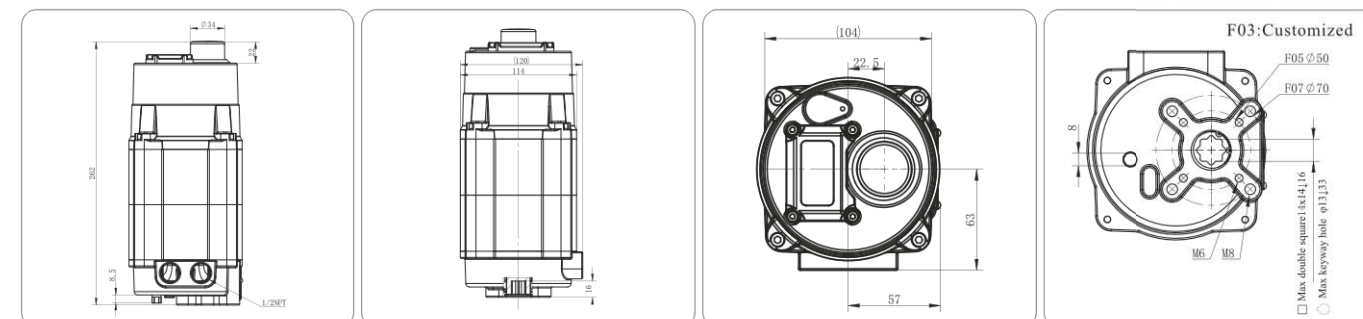
EP20P1-P3/EPQ115



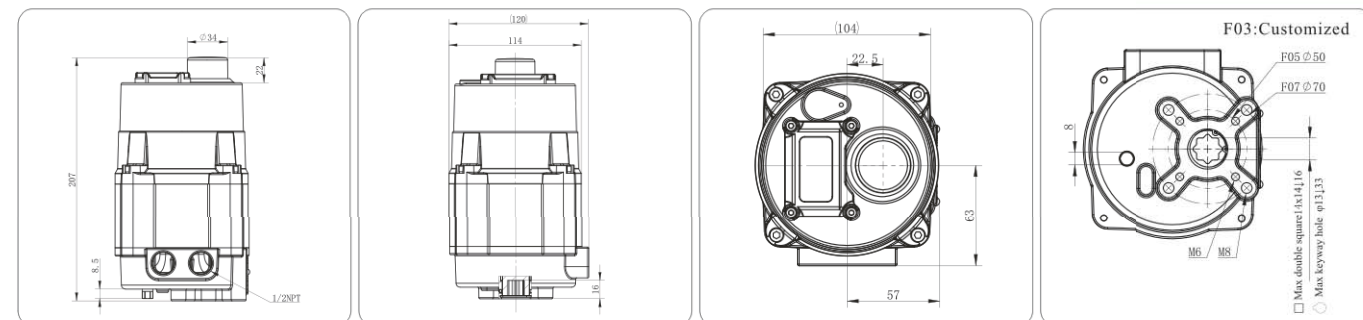
Note:

1. Operation Temperature: -25°C ~ 65°C
2. Equipped with LED screen, easy to operate on site and check the electric quantity of the capacitor

EPQ315



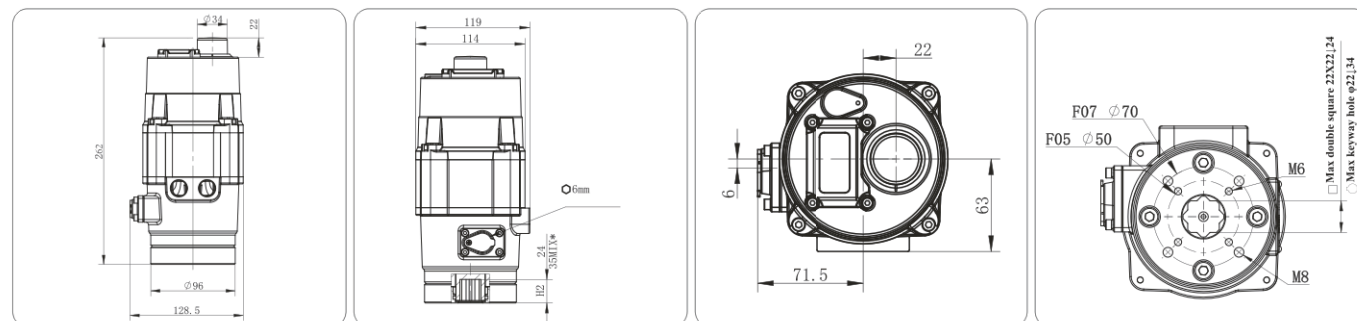
EP 50P1-P2/EPQ215



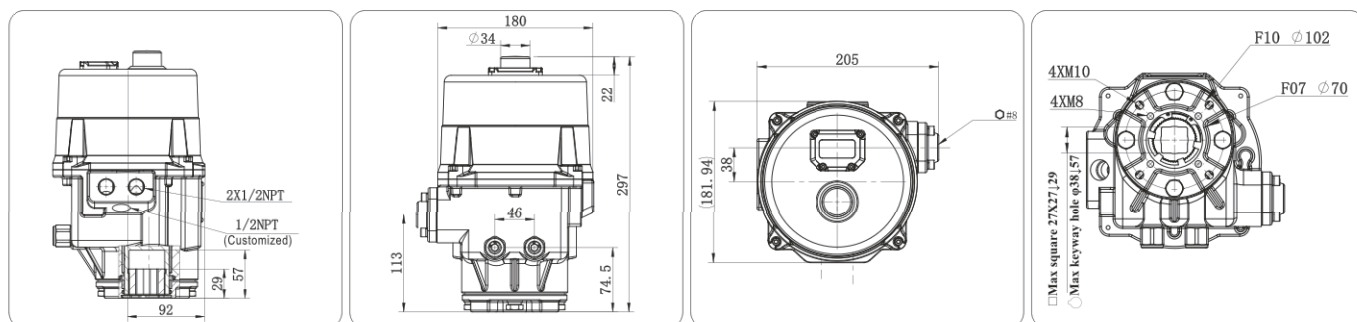
	EP100P1				EP100P2			
	AC24V	DC24V	AC110V	AC220V	AC24V	DC24V	AC110V	AC220V
Voltage	AC24V	DC24V	AC110V	AC220V	AC24V	DC24V	AC110V	AC220V
Rated Current(A)	1.8	1.4	0.65	0.45	1.8	1.4	0.65	0.45
Locked-rotor current(A)	3.7	2.65	1.07	0.72	3.7	2.65	1.07	0.72
Max torque	80N·m	80N·m	80N·m	80N·m	100N·m	100N·m	100N·m	100N·m
0~90° Travel Time	20S	20S	16S	16S	27S	27S	18S	18S
Weight	4.1KG				4.1KG			
Capacitor charging time	3min	3min	3min	3min	3min	3min	3min	3min
0~90° travel@Max torque	≥2times	≥2times	≥2times	≥2times	≥1time	≥1time	≥1time	≥1time
0~90° travel@Max torque*0.8	≥3times	≥3times	≥3times	≥3times	≥2times	≥2times	≥2times	≥2times

	EP200A				EP200B			
	AC24V	DC24V	AC110V	AC220V	AC24V	DC24V	AC110V	AC220V
Voltage	AC24V	DC24V	AC110V	AC220V	AC24V	DC24V	AC110V	AC220V
Rated Current(A)	2.4	1.9	1.1	0.6	2.4	1.9	1.1	0.6
Locked-rotor current(A)	4.7	6.8	2.1	1.3	4.7	6.8	2.1	1.3
Max torque	150N·m	150N·m	150N·m	150N·m	200N·m	200N·m	200N·m	200N·m
0~90° Travel Time	22S	22S	22S	22S	32S	32S	32S	32S
Weight	13.7KG				13.7KG			
Capacitor charging time	9min	9min	9min	9min	9min	9min	9min	9min
0~90° travel@Max torque	≥2times	≥2times	≥2times	≥2times	≥1time	≥1time	≥1time	≥1time
0~90° travel@Max torque*0.8	≥3times	≥3times	≥3times	≥3times	≥2times	≥2times	≥2times	≥2times

EP100P1-P2

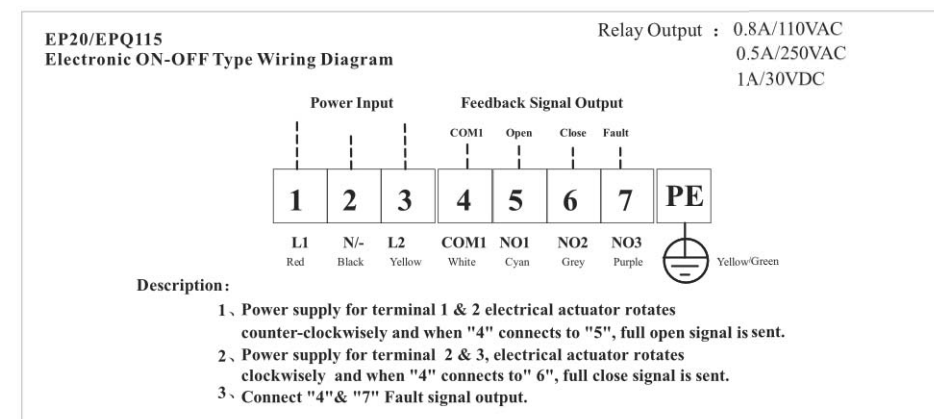


EP200A/EP200B

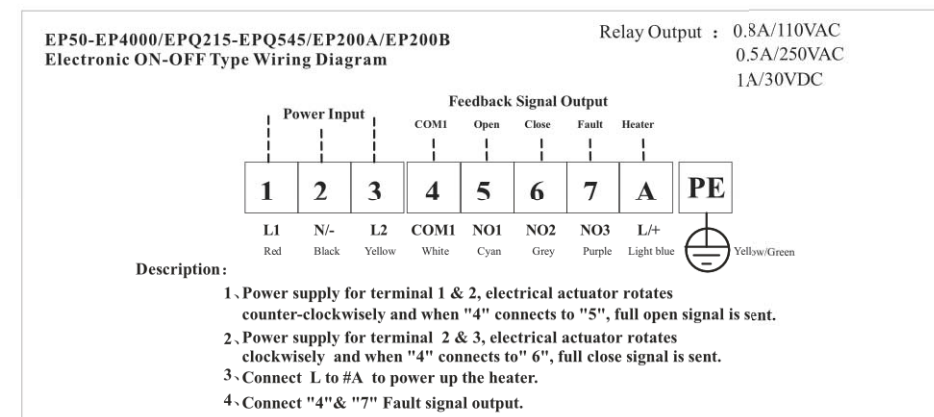


Wiring Diagram

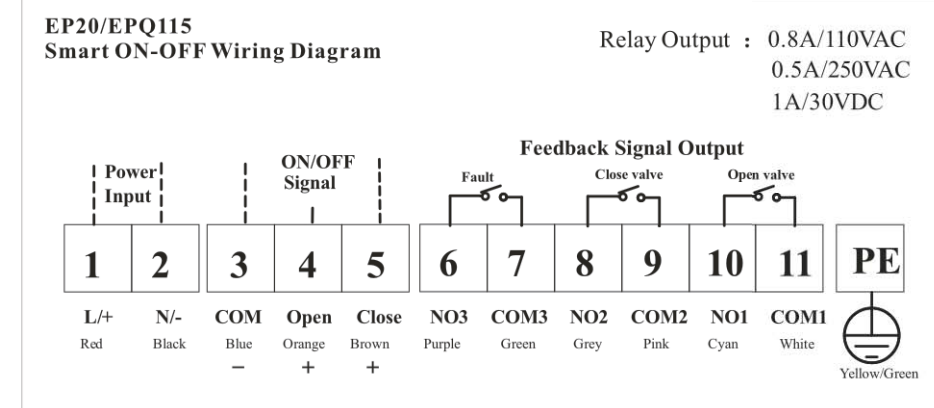
Electronic ON-OFF



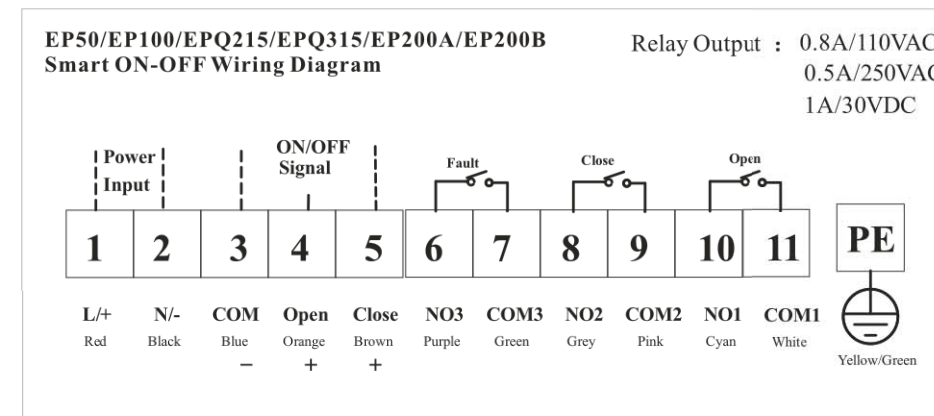
Electronic ON-OFF



Smart ON-OFF

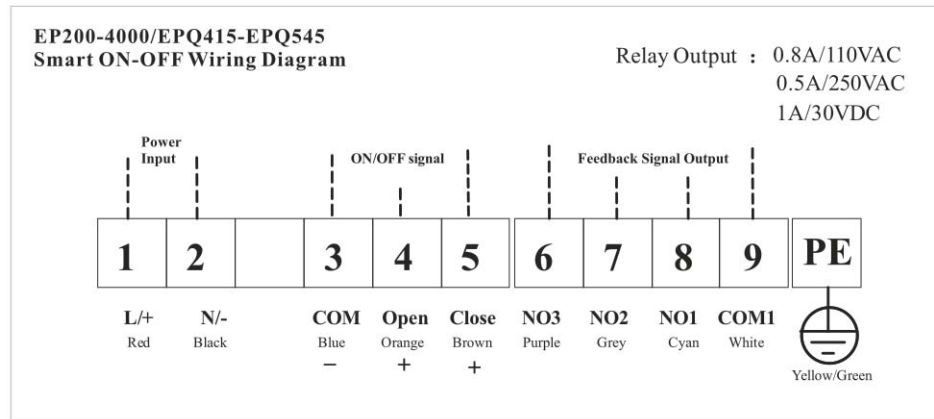


Smart ON-OFF

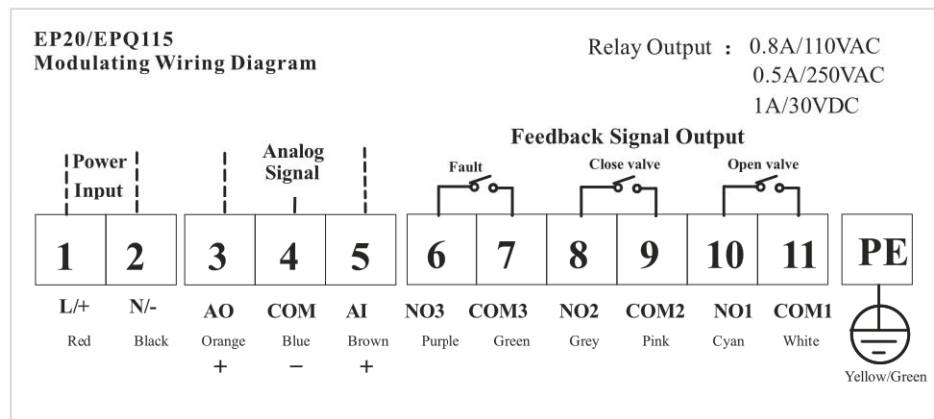


Wiring Diagram

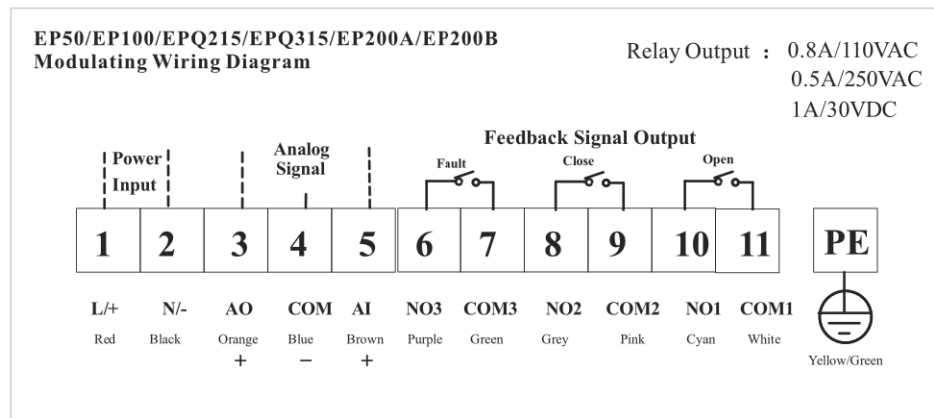
Smart ON-OFF



Modulating



Modulating



Modulating

