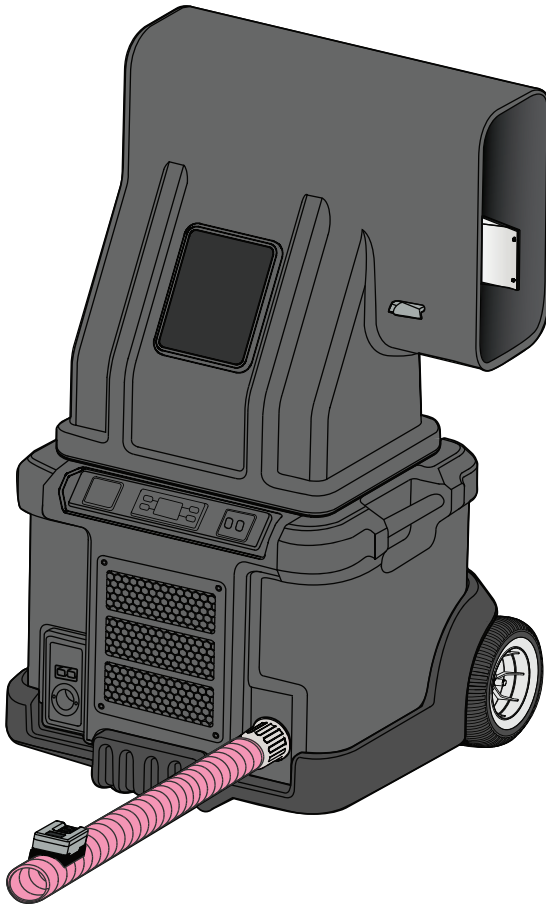




# PRO CAT™



**Professional Loosefill Insulation System**



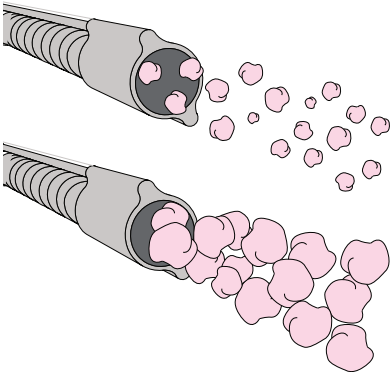
# Table of Contents

<b>Introduction</b>	2
<b>Machine Specification</b>	
Dimensions, Performance, Weight, Electrical Requirements, Hose	3
<b>Machine Construction</b>	
Cord Wrap, Tool Box	4
Wall-blowing Adapter, Remote	5
Air Filter, Molded Agitators, Dense Blow Adapter	6
<b>Parts view</b>	7-10
<b>Expanded Parts view</b>	
Feeder, Feeder Window, Control Panel, Air Intake Vent	11
Bale Guide, AutoCutter, Electrical Inlet, GFCI	12
Hose Coupling, Hose, Wireless Remote, Wheels	13
Latch, Cord Wrap, Tool Box	14
Agitator Shafts, Valve, Lower Agitator Paddles, Lower Agitator Bars, Upper Agitators	15
<b>Wall Blowing Instructions</b>	16,17
<b>Maintenance</b>	18
<b>System Safety</b>	19
<b>Troubleshooting</b>	20-23

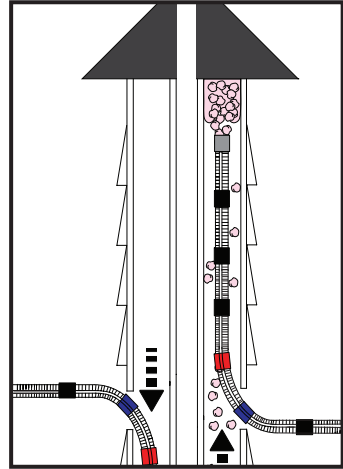
# Introducing the ProCat™

Professional Loosefill Insulation System™

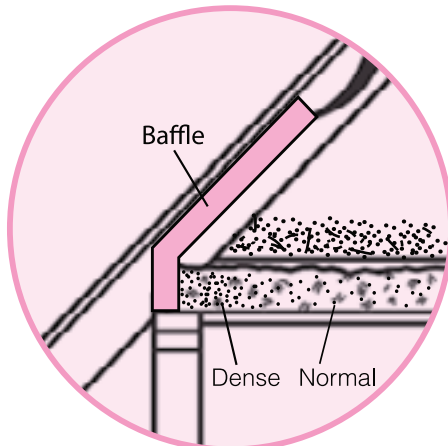
The ProCat™ system is revolutionary in the options it offers professional remodelers. With new control technology, the ProCat™ insulation machine allows precise installation control and flexibility.



Different density settings when in attic mode to ensure tight attic spaces are adequately and easily insulated.



A unique wall-blowing mode with a special hose attachment makes reinsulating walls easy and quick and only requires one insertion hole.

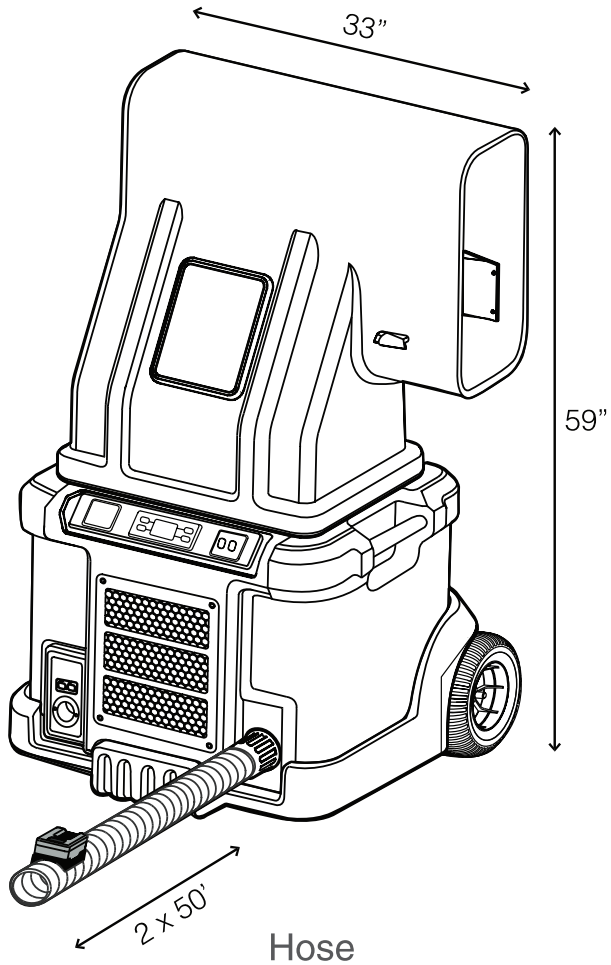


# Machine Specification

## Dimensions

### Weight

181lbs



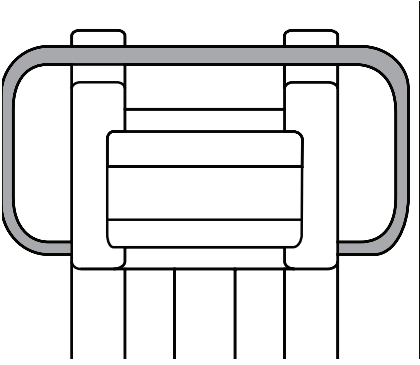
## Electrical Requirements

115 Volt, 15 amp 60 Hz

(14ga up to 50 feet or 12ga up to 100 feet)



# Machine Construction



## Cord Wrap

The handle located on the back of the machine doubles as a cord wrap.

It is a quick and easy way to keep the cord out of the way during transport and when not in use.

## Tool Box

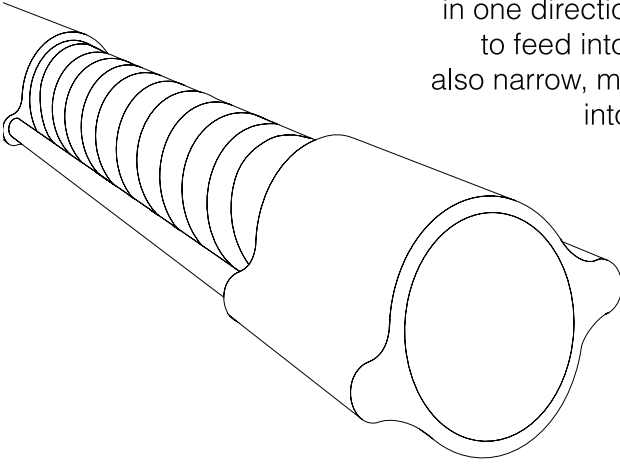
Located in the same area as the cord wrap, the tool box provides tools specific to the ProCat™ machine should maintenance be necessary when in use.

The user manual is also included in the tool box contents.



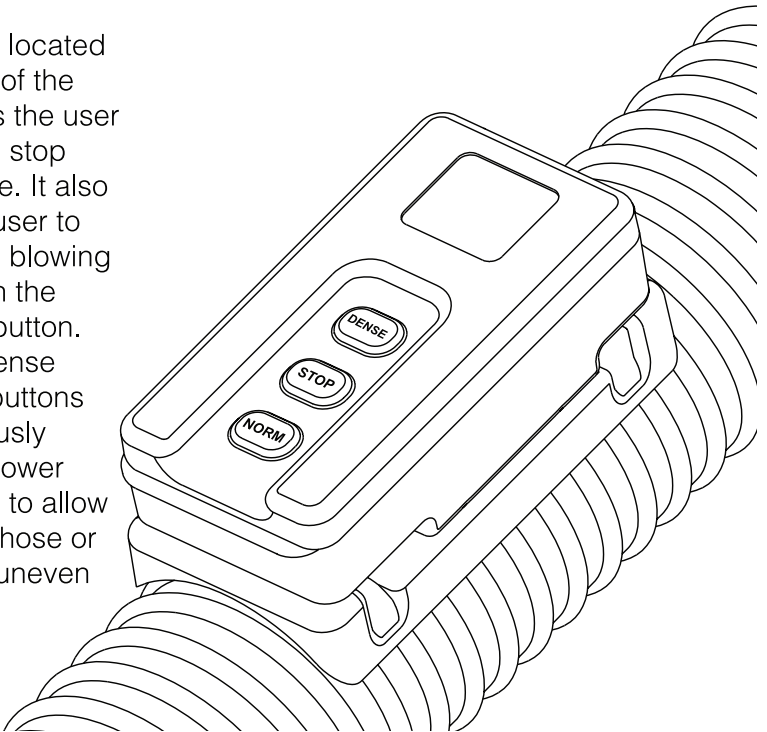
## Wall-blowing adapter

The adapter hose used for wall-blowing makes the task easier than ever. The hose only bends in one direction, making it easier to feed into walls. The hose is also narrow, making it easier to fit into tight wall spaces.



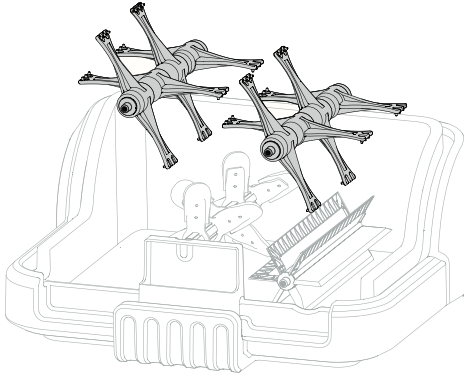
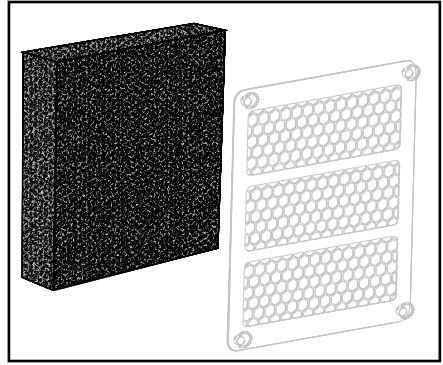
## Remote

The remote located on the end of the hose allows the user to start and stop the machine. It also allows the user to change the blowing density with the press of a button. Pressing dense and norm buttons simultaneously enables “blower only” mode to allow clearing of hose or leveling of uneven insulation.



## Air Filter

Located behind the grill cover on the front of the machine, the air filter protects the machine from debris. Four “1/4-turn” screws allow for easy removal for cleaning. Clean the filter every 3 months to ensure optimum machine performance.

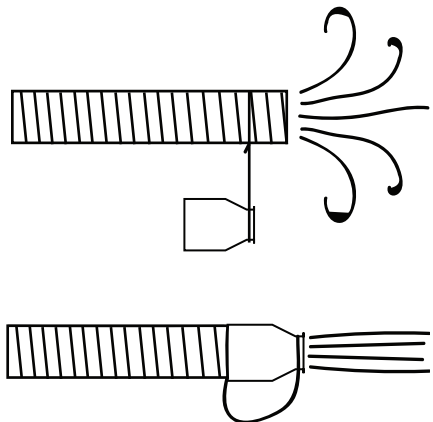


## Molded Upper Agitators

The agitators located on the inside of the machine are molded to offer different density options when breaking up the insulation during the blowing process. The agitators spin at different speeds depending on the density level chosen to achieve this.

## Dense Blow Adapter

Use the included elastic strap to attach the Dense Blow Adapter to the hose for use as needed. When in Dense mode, insert the adapter into the hose or on top to increase projection distance.



# Parts Views

Feeder

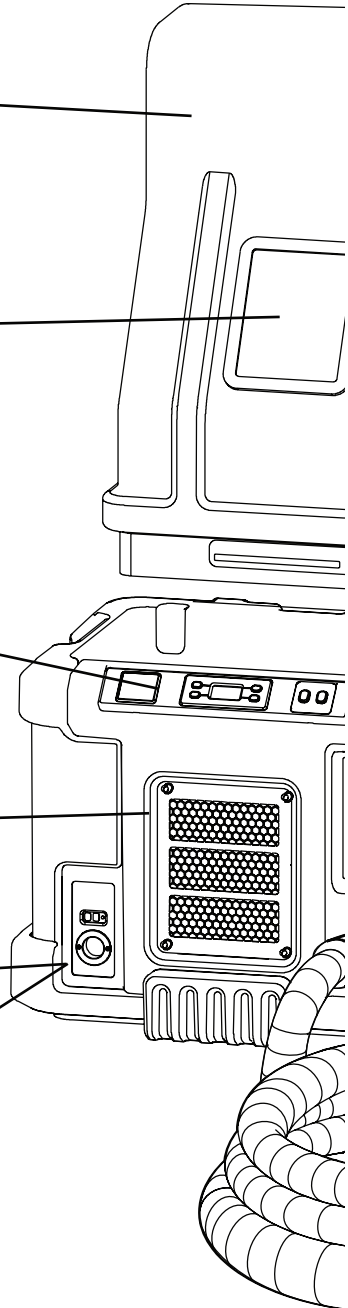
Feeder Window

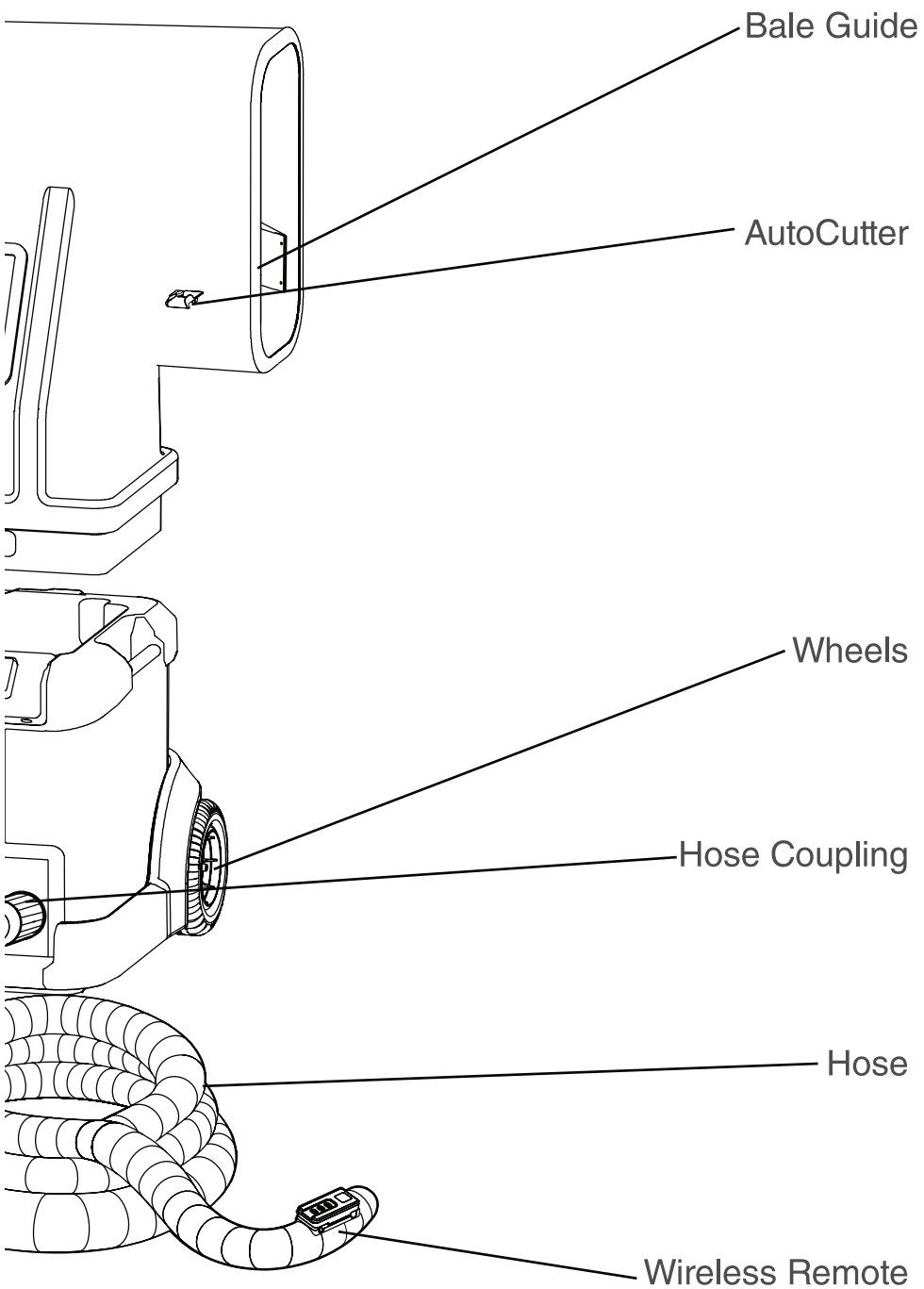
Control Panel

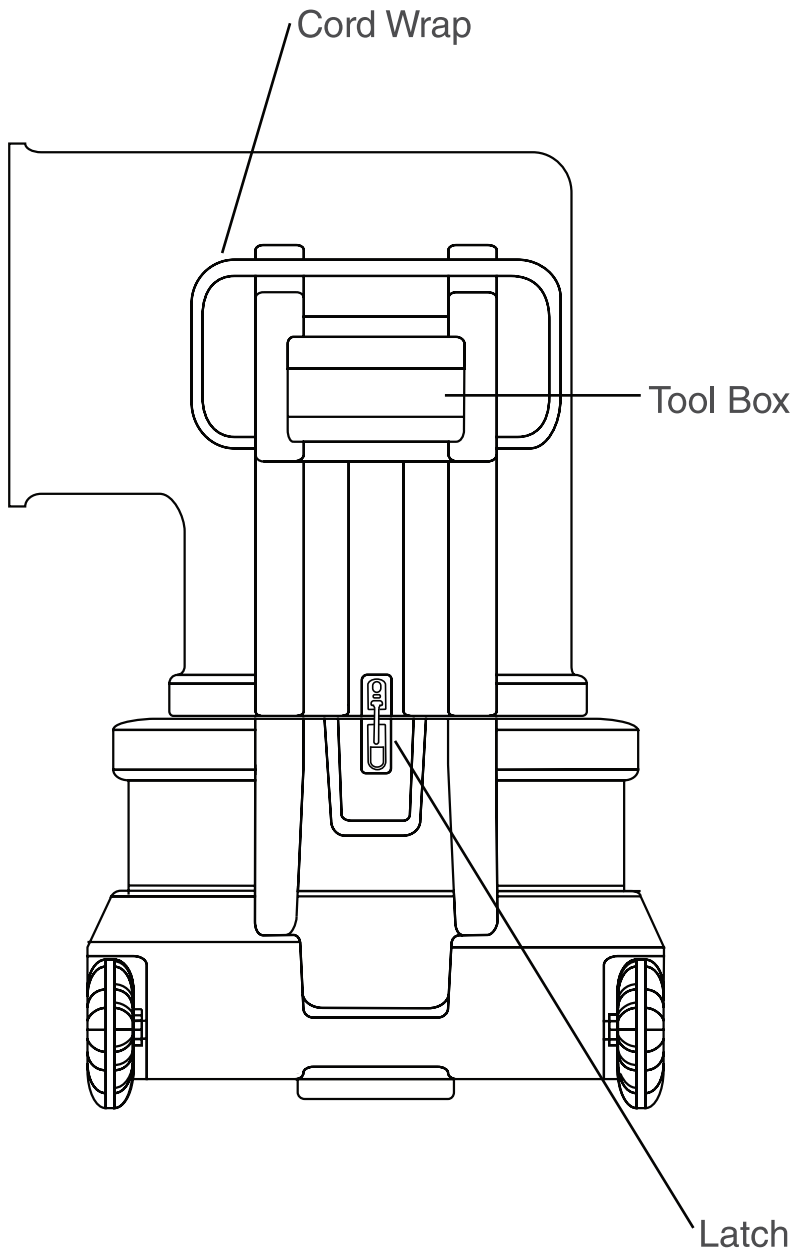
Air Intake Vent

Electrical Inlet

GFCI







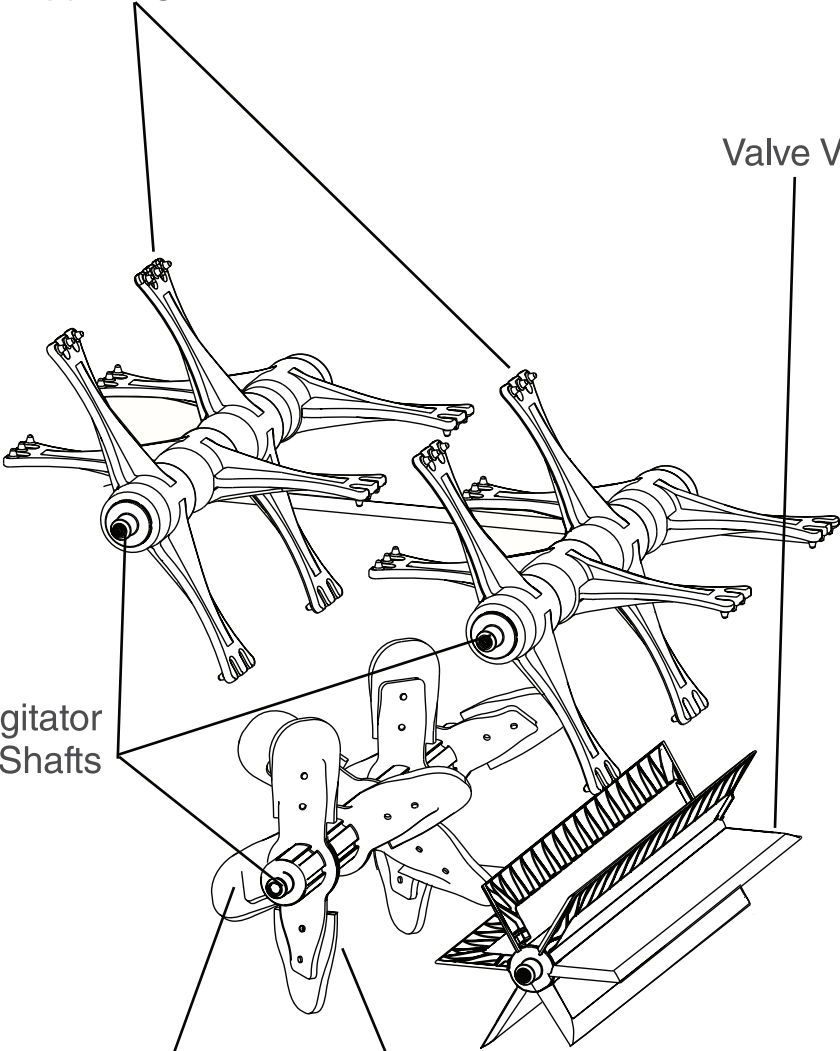
Upper Agitators

Valve Vane

Agitator Shafts

Agitator Paddles

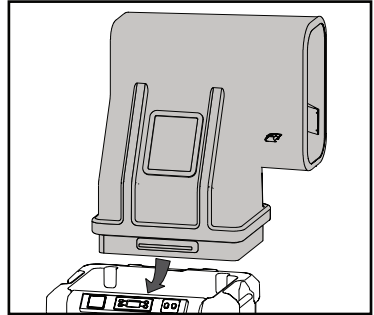
Lower Agitator



# Expanded Parts Views

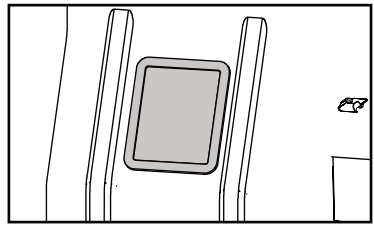
## Feeder

The top portion of the ProCat™ machine and where the user feeds in half bales of ProCat™ Professional Loosefill Insulation.



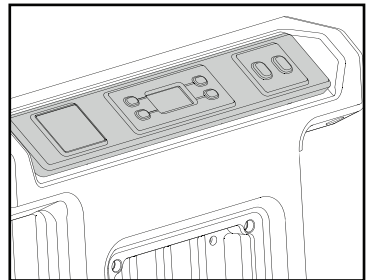
## Feeder Window

Window that allows the user to look into the machine to gauge the amount of insulation left within the machine.



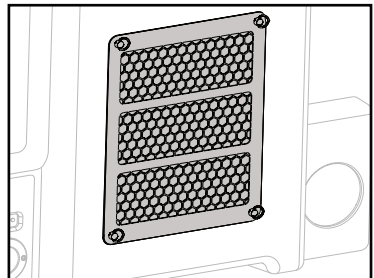
## Control Panel

Allows operator to start and stop the machine, switch between wall and attic modes, change density and blowing speed settings.

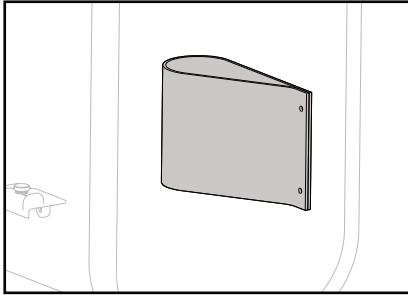


## Air Intake Vent

Takes air into the base unit. The vent is covered with a screen and contains a filter to prevent debris from pulling into the machine.

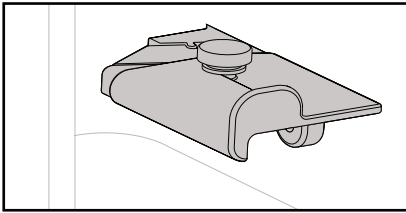






## Bale Guide

Guides bales of insulation against the auto-cutter blade in order to cut plastic when bales are inserted into the machine.



## AutoCutter

Small utility blade attachment used to cut insulation packaging when fed into the machine.

## Electrical Inlet

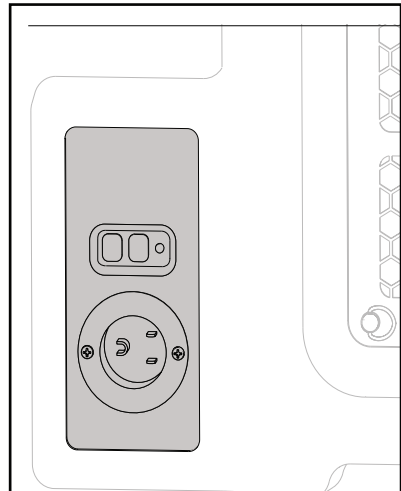
Power cord attaches here (14ga up to 50 feet, or 12ga up to 100 feet).

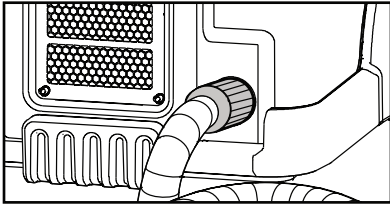
115 Volt

15 amp 60Hz

## GFCI

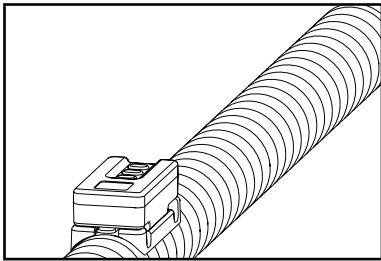
Shuts down the current flow when a ground fault is detected to protect the user from electrical shock.





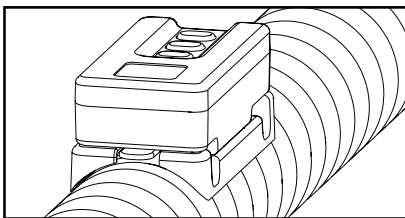
## Hose Coupling

Securely attaches hose to machine.



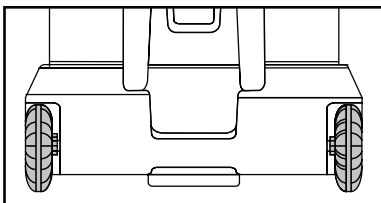
## Hose

Sections attached with hose clamps and attached to the machine with a coupling.



## Wireless Remote

The remote has buttons to control density as well as turn the machine on and off.

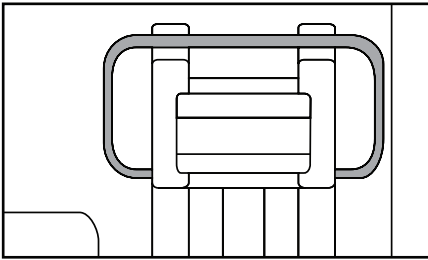
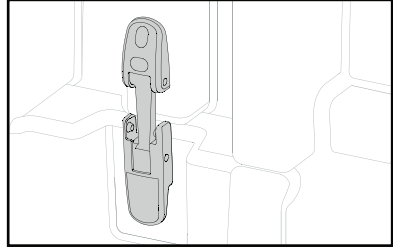


## Wheels

Allow the machine to be tipped back and maneuvered like a dolly.

## Latch

Attaches and secures the feeder to the base (located on the rear of the feeder).

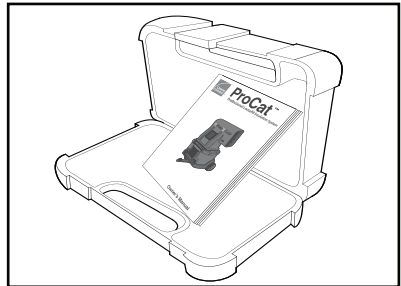


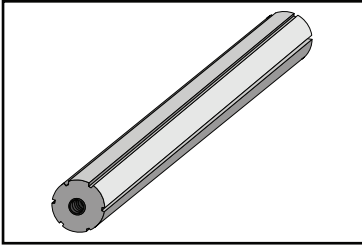
## Cord Wrap

Keeps the cord securely wrapped up during transport and when not in use. Located on the back of the machine.

## Tool Box

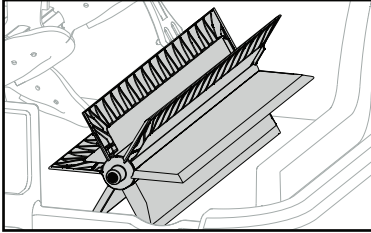
Stored beneath the cord wrap, the tool box contains the necessary tools to make adjustments to the ProCat™ machine should any issues arise. Also contained is the user manual.





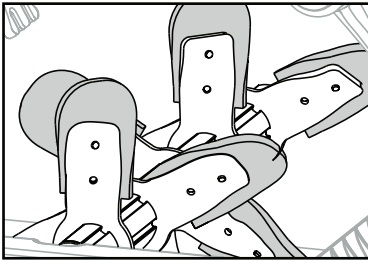
## Agitator Shafts

Attached to the agitator, the shafts revolve within the base unit to break apart the blown-in insulation.



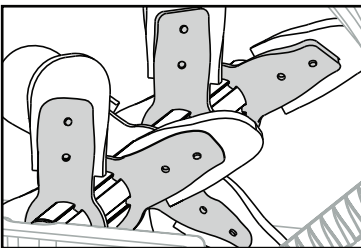
## Valve

The valve is equipped with vanes and attached to the blower. Blown-in insulation is grabbed by six vanes and blown into the hose.



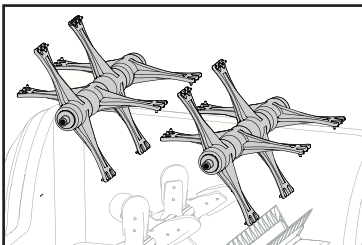
## Lower Agitator Paddles

Rubber ends riveted to the agitator bars.



## Lower Agitator Bars

Aluminum arms that hold the riveted, rubber agitator paddles.

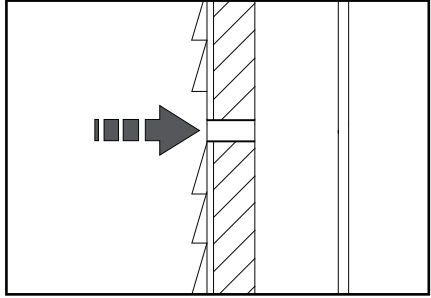


## Upper Agitators

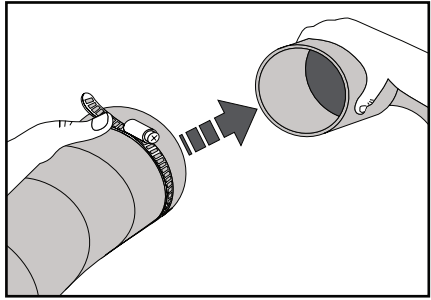
Molded agitators for easy maintenance and longevity.

# Wall-blowing Instruction

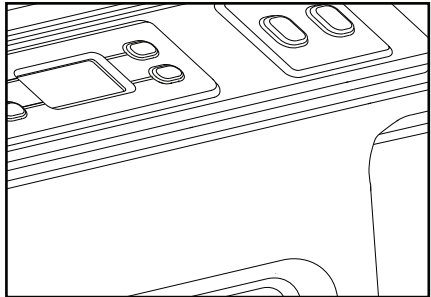
1. Create a 2" diameter hole midway up the wall cavity requiring insulation.



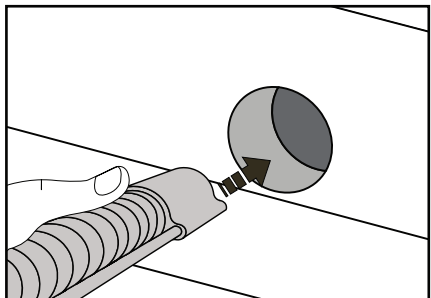
2. Attach the wall-blowing adapter to the ProCat™ hose. Use only one 50ft hose segment with adapter.



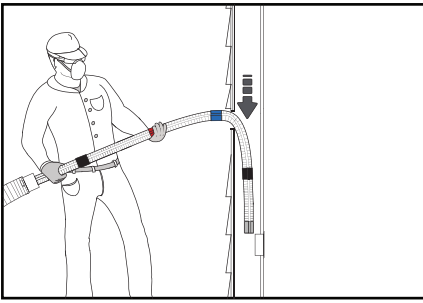
3. Select **Wall Mode** on the main screen; use the **Menu** button to select density settings. On the next screen **1.3lb/CF**, **1.5lb/CF** and **1.8lb/CF** will display. Use the **Sel** button to toggle between different selections (refer to insulation package instructions for guidance in making this selection).



For fine adjustments during operation, select the desired density, then press the **Adj** button. Use the **+** or **-** to increase or decrease density. Each mark indicates an approximate 5% change. (Refer to **Calculating Insulation Coverage for Wall Mode** for guidance in making this adjustment).

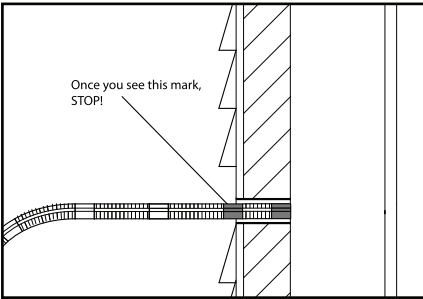


4. Insert the wall-blowing adapter through the hole in the wall cavity.

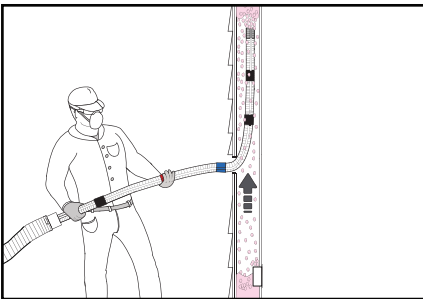


5. Feed hose down into the wall cavity until the hose is just below the top of the outlet height. This ensures insulation fills below wires crossing the cavity.

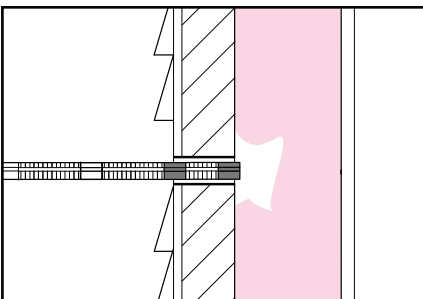
6. Turn on the machine by pressing **Start** on the machine control panel or by pressing **Norm** on the remote. Keep the hose in the same position until insulation stops flowing. At this point, stop the machine and back out the hose.



7. With the tip of the hose pointing up, feed the hose up until the tip is within 1ft of the top. Colored marks on the wall blowing adapter indicate different depths when feeding in the hose. The blue mark on the hose indicates the proper insertion depth for an 8ft wall, the red mark corresponds with a 9ft wall, and the black mark closest to the operator corresponds with a 10ft wall.



8. Once the hose is inserted to the proper height, turn on the machine by pressing **Start** on the machine control panel, or by pressing **Norm** on the remote. Keep the hose in the same position until insulation stops flowing. Slowly back out the hose one segment at a time as this happens. This method optimally fills the cavity. When the tip of the hose is near the opening to the wall cavity, turn off the machine by pressing **Stop** on the machine control panel or remote.



# Maintenance

## Daily Checklist

This list provides a handy daily check. Check each listed component prior to operating the ProCat™ machine for damage or missing components and to ensure user safety.

### AutoCutter

Check cutter blade and assembly. Replace missing or damaged pieces. Ensure material is not blocking the blade.

### Latch

Check for wear and tear or damage that would prevent the latch from tightly securing the feeder to the base.

### Electrical Connection

Inlet panel - check for damage and missing components.

Check for bent prongs on extension cords.

### Attic Remote

Buttons - verify all of the buttons are present and undamaged.

### Bale Guide

Check that the bale guide is in place and not missing any components, nor damaged. Ensure the two rivets are not missing nor damaged.

### Control Panel

Buttons - check to make sure each function properly.

Check for missing or damaged components.

### Wheels

Check for damaged or missing components.

### Hose Assembly

Check for damaged or missing components.

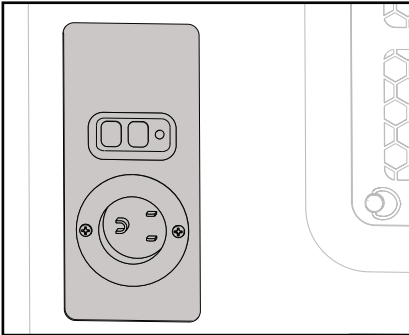
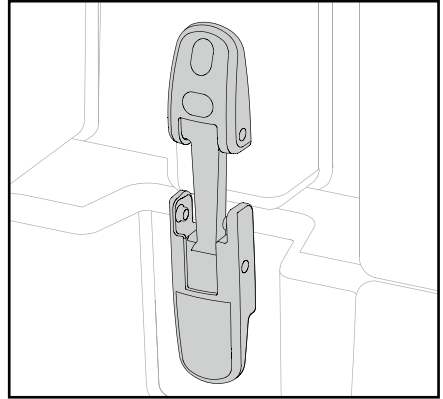
### Air Intake Vent

Check for damaged or missing components.

# System Safety

## Interlock System

This system denies access to internal moving parts of the machine while running by locking together the feeder and shroud. If the feeder is removed, the ProCat™ machine will not run, thus limiting the chance for injury from the agitator



## GFCI

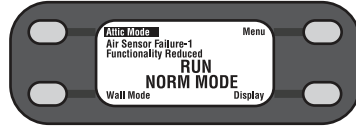
The Ground Fault Circuit Interrupter measures the flow of electricity to and from the machine. If at any time it detects uneven current between the two, it will trip the circuit and prevent the flow of electricity – protecting the user from electric shock.

**WARNING:** The GFCI protects from ground faults at the machine. The cord from the home to the machine may be unprotected if the home circuit is not a GFCI.



# Trouble Shooting

## **Air Sensor Failure-1** **Functionality Reduced**



This type of fault would occur if:

- The MAS (Mass Airflow Sensor) were not connected to the control
- The MAS itself has had a failure
- The MAS had a short or open in the connection to the microcontroller

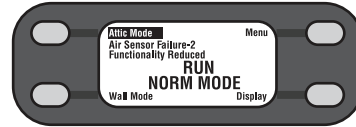
Whenever the machine powers up, test to see if the MAS outputs normal voltage for zero airflow (normal voltage is 1.05 VDC). If the voltage is below 0.8 VDC or above 1.5 VDC this indicates an Air Sensor Failure -1 which will continue to be displayed until the unit is powered down.

If this occurs, the machine will operate in only three modes:

1. Attic Normal - 100% blower; blocked hose shut down is disabled.
2. Attic Dense - Current blower preset for Dense Mode (starting blower value for dense blow); blocked hose shut down is disabled.
3. Wall blow, only Mid Density available - Current blower preset value for mid density wall blowing regardless of density selected.

- Solution:**
- Disconnect power from machine and reconnect
  - Check MAS connector on main board and at MAS
  - Replace MAS sensor
  - Call for service

## **Air Sensor Failure-2** **Functionality Reduced**



This type of fault occurs if:

- The inlet to the air filter were severely obstructed or if the inlet of the MAS were partially or completely blocked.

Blower start test will occur each time after the start button is pushed on the control panel or the remote. During this test, read the MAS voltage output after the blower starts but before the agitator starts to determine if the output is within the expected range for the mode the machine is in. In the event this fault is detected, indicate Air Sensor Failure-2 on the control panel, which will continue until the machine is powered down or the machine is restarted and the fault is cleared by a passed test.

Pressing the STOP button clears the error.

If this occurs the machine will operate in only three modes:

1. Attic Normal - 100% blower; blocked hose shut down is disabled.
2. Attic Dense - Current blower preset for Dense Mode (starting blower value for dense blow); blocked hose shut down is disabled.
3. Wall blow, only Mid Density available - Current blower preset value for mid density wall blowing regardless of density selected.

- Solution:**
- Enter Blower Only Mode by depressing **Dense** and **Norm** buttons on remote simultaneously for five seconds to clear hose
  - Manually clear blockage in hose
  - Check inlet filter for obstruction
  - Remove MAS, check for debris or blockage
  - Press **STOP** and then **START** to clear error
  - Call for service

# Trouble Shooting

Problem	Potential Cause	Solution
<i>Machine will not start and the green power light on the control panel is not lit.</i>	Power cord is not plugged in to the machine or wall outlet.	Plug the power cord into the machine and into a standard 115V electrical outlet.
	The GFCI (Ground Fault Circuit Interrupter) is tripped.	To Reset the GFCI: <ul style="list-style-type: none"> <li>• Unplug the machine, wait 2 min. and plug it in again.</li> <li>• Press reset.</li> <li>• If the issue persists, try another circuit and new power cord.</li> </ul>
	Circuit breaker is turned off or tripped.	Check household circuit breakers or fuses.
	Feeder is not attached properly to the base.	Attach the feeder and secure the latch.
<i>Control panel displays "blockage."</i>	A material jam has stopped the machine from running.	Unplug the machine. Remove the feeder, clear the material jam, replace the feeder, and plug in the machine.
<i>Attic remote does not work, but the control panel turns on the machine.</i>	Batteries are not working.	Unscrew the 4 screws on the top of the Attic Remote.  Remove the cover.  Replace the 2 AAA batteries.
	The above solution is ineffective.	Control the machine from the control panel.

Problem	Potential Cause	Solution
<i>Machine runs slowly.</i>	Low voltage current.	Plug the cord into another outlet of a different circuit.
	Incorrect power cord.	Use specified power cord.
	Machine is in wall mode.	Check control panel, toggle to Attic mode and restart machine.
<i>Insulation not released from plastic packaging when released into the machine.</i>	The package of insulation was not cut in half.	Cut the package of insulation in half along the dotted-line.
	Too much insulation is being inserted into the machine.	Insert only one half-bag into the feeder at one time.
	The insulation is being incorrectly inserted into the machine.	Insert only one half-bag cut end first and push full to the far end of the feeder wall.
	The autocutter blade is missing, damaged, dull, or clogged with insulation..	Turn off the machine, unplug the power cord, and insert a standard utility knife blade into the Autocutter assembly. If insulation is clogging the blade, carefully remove it.
<i>Insulation released from packaging, but machine appears jammed.</i>	Too much material in the feeder.	Check to see if any insulation is coming out of the open end of the hose.
	Insulation was pushed down into the machine.	<p>Check to see if insulation is flowing through the machine by observing through the feeder window.</p> <p>Turn off machine, unplug power cord, release latches, and remove the feeder from the base. Remove insulation from base, reattach feeder to base, plug in, and press start.</p>

<b>Problem</b>	<b>Potential Cause</b>	<b>Solution</b>
<i>Insulation and air not coming out of hose.</i>	The hose is not attached.	Attach the hose to the machine.
	There is blockage in the hose.	Remove hose and shake vigorously to dislodge insulation and resume flow.
<i>Air, but no insulation coming out of hose.</i>	Machine is jammed.	See previous section.
	Either agitators or valve are not turning.	Secure repair assistance.
<i>After inserting insulation into the machine feeder, plastic packaging is difficult to remove.</i>	Half-bag is not inserted all the way into the feeder and past the autocutter.	Push the half-bag horizontally all the way into the machine feeder, past the autocutter.
		Wait until packaging released the insulation before attempting to remove it.
<i>Plastic packaging falls down into machine.</i>	Too much force was used when pushing the half-bag.	Turn off machine, unplug the power cord, and unattach feeder from base.  Remove the packaging from the base, reattach feeder, and resume use.
<i>Machine is blowing insulation slower than normal rate of 4-5 minutes per bag.</i>	Lost pressure in valve housing due to damaged vanes.	Secure repair assistance.
	Blower is not working properly.	
<b>None of the solutions solve the problem.</b>		<b>Call 1-800-GET-PINK</b>





**Professional Loosefill Insulation System**

Pub No. 10021342  
The color Pink is a registered trademark of Owens Corning.  
© 2016 Owens Corning. All Rights Reserved.

**Owner's Manual**