



13" PROFESSIONAL LAMINATE FLOORING CUTTER



MODEL KC-13LCT INSTRUCTION MANUAL

COPYRIGHT © 2010. ALL RIGHTS RESERVED BY KING CANADA TOOLS INC.



WARRANTY INFORMATION

**2-YEAR
LIMITED WARRANTY
FOR THIS 13" LAMINATE CUTTER**

**KING CANADA TOOLS
OFFERS A 2-YEAR LIMITED WARRANTY
FOR NON-COMMERCIAL USE.**

PROOF OF PURCHASE

Please keep your dated proof of purchase for warranty and servicing purposes.

REPLACEMENT PARTS

Replacement parts for this product are available at our authorized King Canada service centers across Canada.

LIMITED TOOL WARRANTY

King Canada makes every effort to ensure that this product meets high quality and durability standards. King Canada warrants to the original retail consumer a 2-year limited warranty as of the date the product was purchased at retail and that each product is free from defects in the materials. Warranty does not apply to defects due directly or indirectly to misuse, abuse, normal wear and tear, negligence or accidents, repairs done by an unauthorized service center, alterations and lack of maintenance. King Canada shall in no event be liable for death, injuries to persons or property or for incidental, special or consequential damages arising from the use of our products.

To take advantage of this limited warranty, return the product at your expense together with your dated proof of purchase to an authorized King Canada service center. Contact your retailer or visit our web site at www.kingcanada.com for an updated listing of our authorized service centers. In cooperation with our authorized serviced center, King Canada will either repair or replace the product if any part or parts covered under this warranty which examination proves to be defective in workmanship or material during the warranty period.

NOTE TO USER

This instruction manual is meant to serve as a guide only. Specifications and references are subject to change without prior notice.

PARTS DIAGRAM & PARTS LISTS

Refer to the Parts section of the King Canada web site for the most updated parts diagram and parts list.

KING CANADA INC. DORVAL, QUÉBEC, CANADA H9P 2Y4
www.kingcanada.com

GENERAL & SPECIFIC SAFETY INSTRUCTIONS



- 1. FOR YOUR OWN SAFETY, READ INSTRUCTION MANUAL BEFORE OPERATING.** Learn the tool's application and limitations as well as the specific hazards peculiar to it.
- 2. MAINTAIN PRODUCT IN TOP CONDITION.** Keep knife honed and sharpened for best results. Follow instructions in the maintenance section.
- 3. IF YOU ARE NOT** thoroughly familiar with the operation of the laminate cutter, obtain advice from your supervisor, instructor or other qualified person.
- 4. THE USE** of knives or attachments which are not recommended may result in product damage or the risk of personal injury.
- 5. KEEP HANDS AWAY FROM BLADE.** Blade is very sharp!
- 6. ALWAYS WEAR SAFETY GLASSES** Always wear safety glasses (ANSI Z87.1) during the use of the laminate cutter. Everyday eyeglasses only have impact resistant lenses, that are **NOT** safety glasses.
- 7. WARNING: DO NOT** operate your laminate cutter until it is completely assembled and working according to the instruction manual.
- 8. BE CAREFUL** when releasing the handle, it is spring loaded.
- 9. DO NOT LIFT** the laminate cutter by the handle. Always use on a level surface.
- 10. CHECK DAMAGED PARTS.** Before further use of the product, a guard, support or other parts that are damaged should be carefully checked to ensure that they will operate properly and perform their intended function. Check for alignment of moving parts, binding of moving parts, breakage of parts, mounting, and any other conditions that may affect its operation. A guard, support or other parts that are damaged should be properly repaired or replaced.
- 11. KEEP CHILDREN AWAY.** All visitors should be kept a safe distance from work area.
- 12. DON'T FORCE.** It will do the job better and safer at the rate for which it was designed.
- 13. KEEP WORK AREA CLEAN.** Cluttered areas and benches invite accidents. Make sure the floor is clean and not slippery due to wax or sawdust build-up.
- 14. WEAR PROPER APPAREL.** Do not wear loose clothing, neckties or jewelry (rings, watch) which may get caught in moving parts. Non-slip footwear is recommended. Wear protective hair covering to contain long hair.
- 15. USE RECOMMENDED ACCESSORIES.** Consult the manual for recommended accessories. Follow the instructions that accompany the accessories. The use of improper accessories may cause risk of injury to persons.



ASSEMBLY & OPERATION

Unpacking

The laminate flooring cutter is shipped complete in one carton and requires some assembly. Carefully unpack all loose items from the carton.

Assembly

1. Assemble the table assembly (A) Fig.1 to the knife assembly (B) using 4 small Phillips head screws (C) to secure the top of the table. Use two larger pan head screws (D) to secure the table brace.

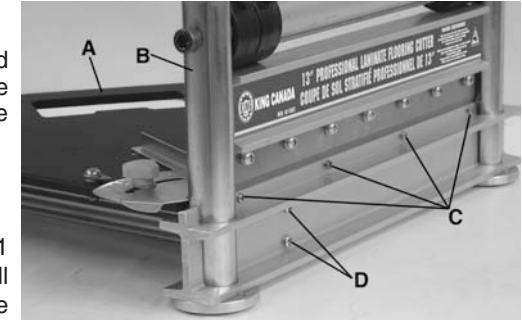


Figure 1

2. Assemble the handle (A) Fig.2 to the top of the knife assembly. First, loosen the three fixing screws (B) using a hex. key. Insert the handle shaft into the cylindrical hole (C), make sure the recessed hole (D) lines up with the center screw. Once properly aligned and inserted, tighten the center fixing screw using a hex. key. Then tighten the other two fixing screws.

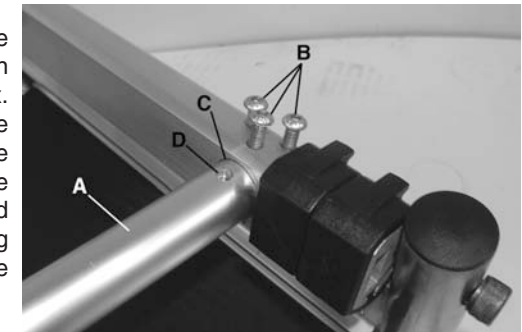


Figure 2

Setting up for operation

1. The laminate flooring cutter is shipped with the knife assembly in the down and locked position. This safety feature ensures that the cutting edge of the knife is not exposed during transport or storage. To unlock the knife assembly, loosen the safety lock knob (A) Fig.3, depress the handle then slide the lock knob to the right to disengage the lock (B).



Figure 3

Warning! Secure handle in the down position and re-engage the safety lock before storing, carrying or transporting your laminate flooring cutter.

OPERATION



Making cuts

The laminate cutter is a manually operated tool. The shearing handle is spring loaded, once a cut is made, slowly lift the handle. If handle is released after a cut, the handle may spring upwards and hit the operator.

Warning! Knife is very sharp. Keep your hands away from the knife while operating. Wearing gloves and safety glasses are recommended.

1. Unlock the safety lock (Fig.3) and lift the shearing handle to its upright position to lift the knife upwards.

2. Set the miter gauge (A) Fig.4 angle. Loosen the miter gauge lock knob (B) and position the miter gauge in the desired angle. Make sure the rounded section (C) of the miter gauge rests against the frame post as shown before tightening lock knob.

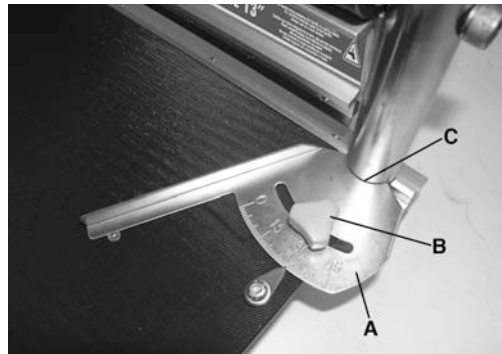


Figure 4

3. Place material no wider than 13" and no thicker than 19/32" onto the table. Place the bottom side of the material flat on the table. Slide the material up against the miter gauge and then under the knife. Line up the material cutting mark with the cutting edge of the knife. See Fig.5.

4. Hold the material in place using one hand, and with the other hand lower the handle. Push handle down to make cut. Some effort may be required, depending on the thickness or hardness of the material.

5. Once the cut is made, slowly lift the handle to its upright position.

6. Once you have finished using the laminate cutter, lower handle and lock the safety lock before carrying, storing or transporting.



Figure 5

IMPORTANT NOTE: A burr may form on the flat edge of the knife within the first 40-100 cuts. This is normal. Use a honing stone to remove the burr. Refer to the maintenance section for further instructions.

MAINTENANCE



HONING, SHARPENING OR REPLACING KNIFE

Honing knife

Removing burrs from the flat edge of the knife is very important, honing a new knife should be done after the first 40-100 cuts, after every 100+ cuts and when the knife has been re-sharpened.

With the knife (B) Fig.6 installed and positioned roughly 1/8" above the table top, lay the flat side of your honing stone (A) against the flat side of the knife. Move the honing stone from one end to the other a few times until burr has been removed.

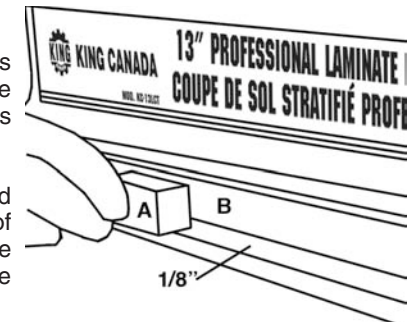


Figure 6

Sharpening or replacing knife

The included knife can be sharpened. Only the beveled edge of the knife must be sharpened. The flat edge of the knife must remain flat. We recommend that this operation be done by a qualified professional.

Warning! Knife is very sharp. Wear gloves when handling knife.

1. To remove the knife (A) Fig.7, remove the seven allen head screws (B) using the supplied hex. key. Carefully remove the knife.

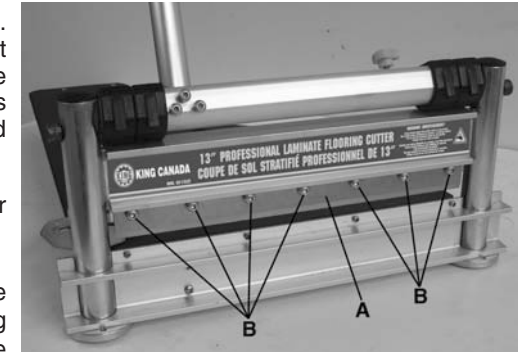


Figure 7

2. Have the knife sharpened by a qualified professional. If the knife is damaged and needs replacement, a replacement knife (King model KW-133) is available for purchase, for more information, contact your nearest retailer of King Canada products.

3. Once knife has been sharpened or replaced, it can be re-installed. Position the knife (A) Fig.8 with its flat edge facing the table (B). Make sure the mounting surface and knife are clean, re-install the knife with the seven allen head screws removed earlier using the supplied hex. key.

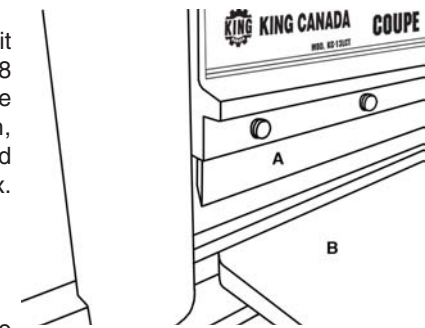


Figure 8

Lubrication

To prevent surface corrosion, it is recommended to apply a small amount of light machine oil on the sliding parts of the laminate cutter. Lubrication should be done once every two months or once a month if working in dirty or dusty conditions.