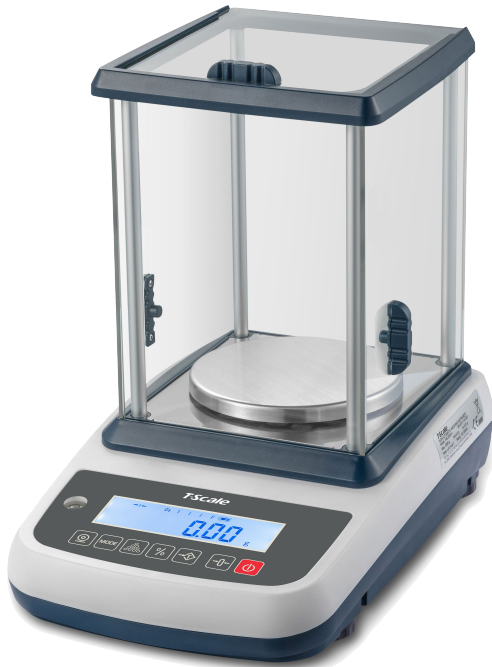


## IHB 24 Precision Balance



High-Resolution Precision Balance with Automatic Internal Adjustment

### Features



#### \* High resolution, upgrade up to 1/600,000

The IHB 24 series combines the latest weighing chip with new developed software offering a competitive performance weighing, internal resolution is up to 4 million divisions, external resolution is up to 600,000 divisions.

#### \* Powerful Back Office Management Software

The management software can display the weight in real time, and can be used as a remote device to perform ZERO and TARE operation. It provide users to manage the PLU, user and customer information, ect. Transferring the weighing data from scales through the method of manual, automatic or time interval.

#### \* Higher Cost Performance

We break the technical bottleneck in traditional analog load cell and offer the advantage of comprehensive linearity and temperature compensation, which provide users competitive performance at an economical price.

#### \* Automatic Internal Adjustment

Automatic internal adjustment time-controlled every 2 hours. Guarantees high degree of accuracy and makes the balance independent of its location.



#### Easy Communication

Multiple connectivity options, RS-232 and USB device ports, Bluetooth, provide versatility and flexibility for a variety of applications.



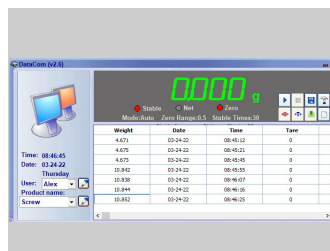
#### Remote Display

Connecting the remote display with the balance via RS232 port for external use (Option).



#### Reliable weighing load cell

The load cell can provide a reliable results, and the built-in overload protection ensures that the balance maintains a long service life.



#### DC500 Back Office Management Software

DC500 PC software allows you to transfer data in real time, compatible with microsoft windows.

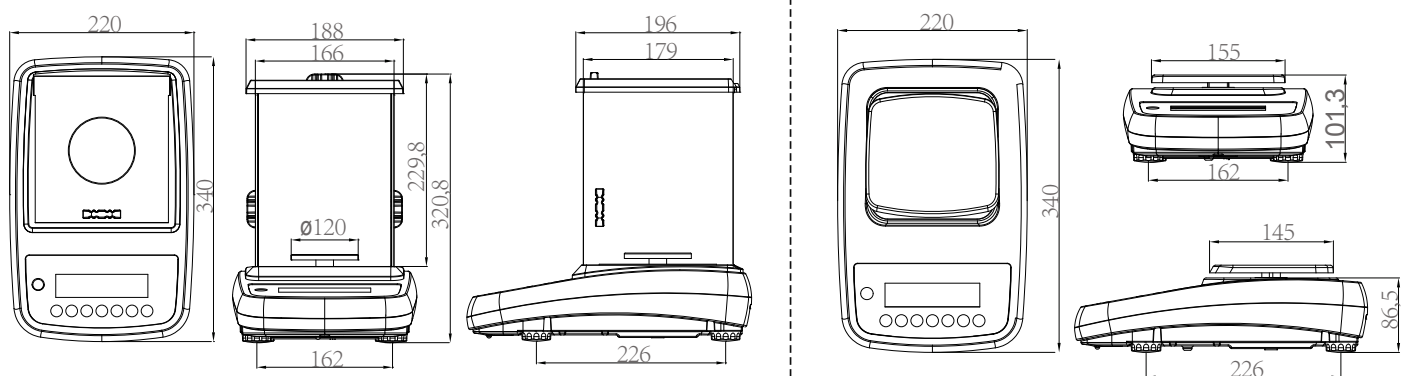
## IHB 24 Precision Balance

### Technical Data



Item	Specification			
Capacity ★	300g	600g	3000g	6000g
Max. Divisions ★	60.000d	150.000d	300.000d	600.000d
Verification Value ★	6000e			
Pan size ★	Φ120mm			140x150mm
Wind shield	YES			NO
Display	16.5mm digit LCD display with white LED backlight			
Housing	Plastic housing , Stainless steel pan			
Keyboard	7 membrane keys			
Interface	DB9 RS232 port			
Factory option	USB2.0 port(Type B)			
Option	Bluetooth5.0 , Remote Display			
Battery life	Approx. 17 hours with backlight of continuous use			
	Approx. 29 hours without backlight of continuous use			
Power	Input AC 100-240V , output DC 12V/500mA 6V/1.3Ah rechargeable battery			
Dimension (WxDxH)	220 x 340 x 320mm			220 x 340 x 101mm
Operating Conditions	Temperature : 10°C~35°C , Humidity : < 85% R.H..			
★ See next page of detail				

### Dimension(mm)



## IHB 24 Precision Balance

### Capacity / Division / Pan Size



Model	Capacity (g)	Division	Readability [d]g	Verification Value [e]g	Pan Size	Net Weight	Gross Weight
IHB24-600g-M	600	6,000e	0.01	0.1	120mm	4.1kg	5.1kg
IHB24-1200g-M	1200	6,000e	0.02	0.2	120mm	4.1kg	5.1kg
IHB24-3000g-M	3000	6,000e	0.05	0.5	140x150mm	3.4kg	4.3kg
IHB24-6000g-M	6000	6,000e	0.1	1	140x150mm	3.4kg	4.3kg
IHB24-300g-3W	300	30,000d	0.01		120mm	4.1kg	5.1kg
IHB24-600g-3W	600	30,000d	0.02		120mm	4.1kg	5.1kg
IHB24-3000g-3W	3000	30,000d	0.1		120mm	4.7kg	5.7kg
IHB24-6000g-3W	6000	30,000d	0.2		140x150mm	3.4kg	4.3kg
IHB24-300g-6W	300	60,000d	0.005		120mm	4.1kg	5.1kg
IHB24-600g-6W	600	60,000d	0.01		120mm	4.1kg	5.1kg
IHB24-3000g-6W	3000	60,000d	0.05		120mm	4.7kg	5.7kg
IHB24-6000g-6W	6000	60,000d	0.1		140x150mm	3.4kg	4.3kg
IHB24-300g-15W	300	150,000d	0.002		120mm	4.1kg	5.1kg
IHB24-600g-15W	600	150,000d	0.005		120mm	4.1kg	5.1kg
IHB24-3000g-15W	3000	150,000d	0.02		120mm	4.7kg	5.7kg
IHB24-6000g-15W	6000	150,000d	0.05		140x150mm	3.4kg	4.3kg
IHB24-300g-30W	300	300,000d	0.001		120mm	4.1kg	5.1kg
IHB24-3000g-30W	3000	300,000d	0.01		120mm	4.7kg	5.7kg
IHB24-600g-60W	600	600,000d	0.001		120mm	4.1kg	5.1kg
IHB24-6000g-60W	6000	600,000d	0.01		140x150mm	3.4kg	4.3kg