



WATERSTONE™

FAUCETS

MADE IN THE USA

SINCE 1999

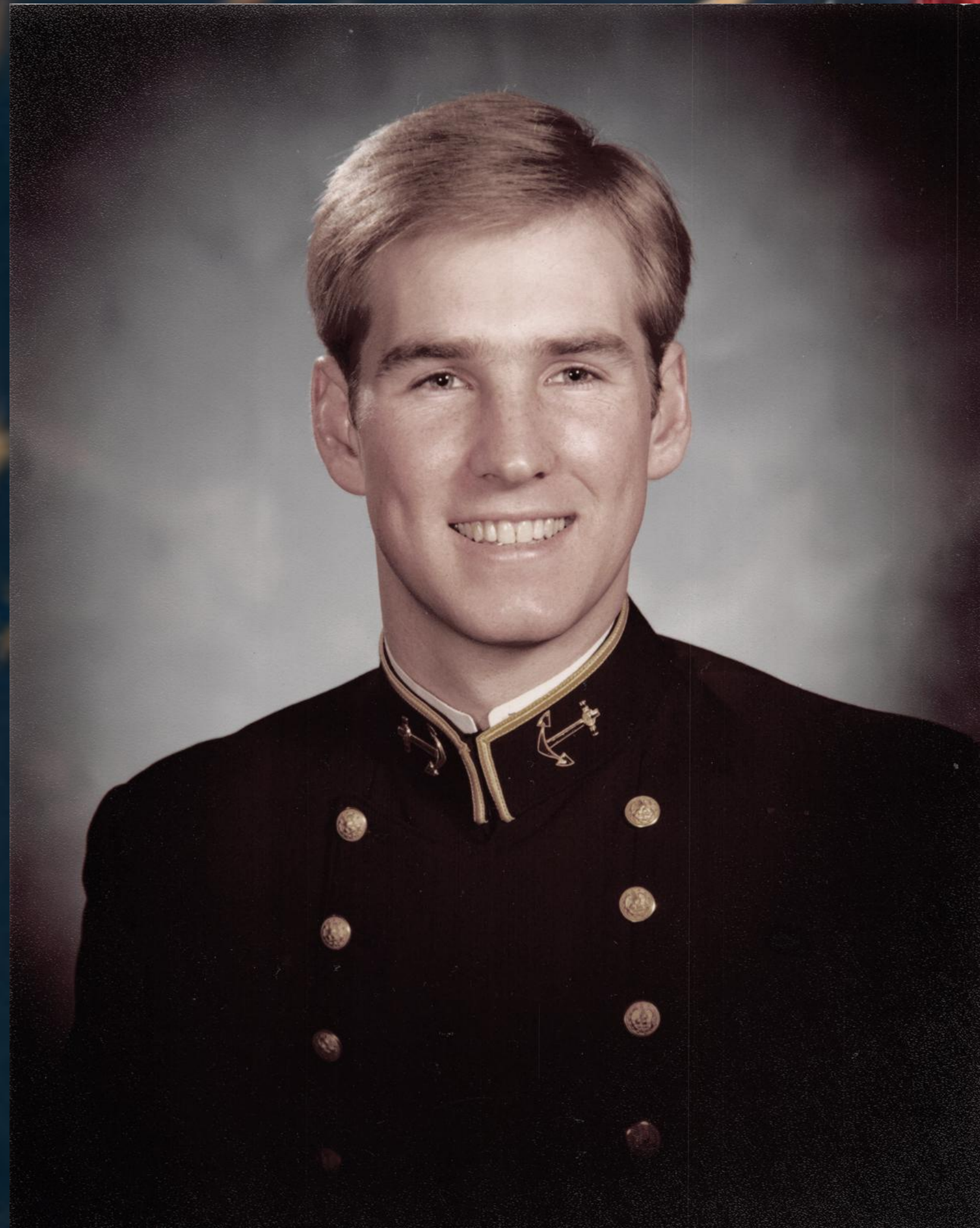


WELCOME TO WATERSTONE TRAINING



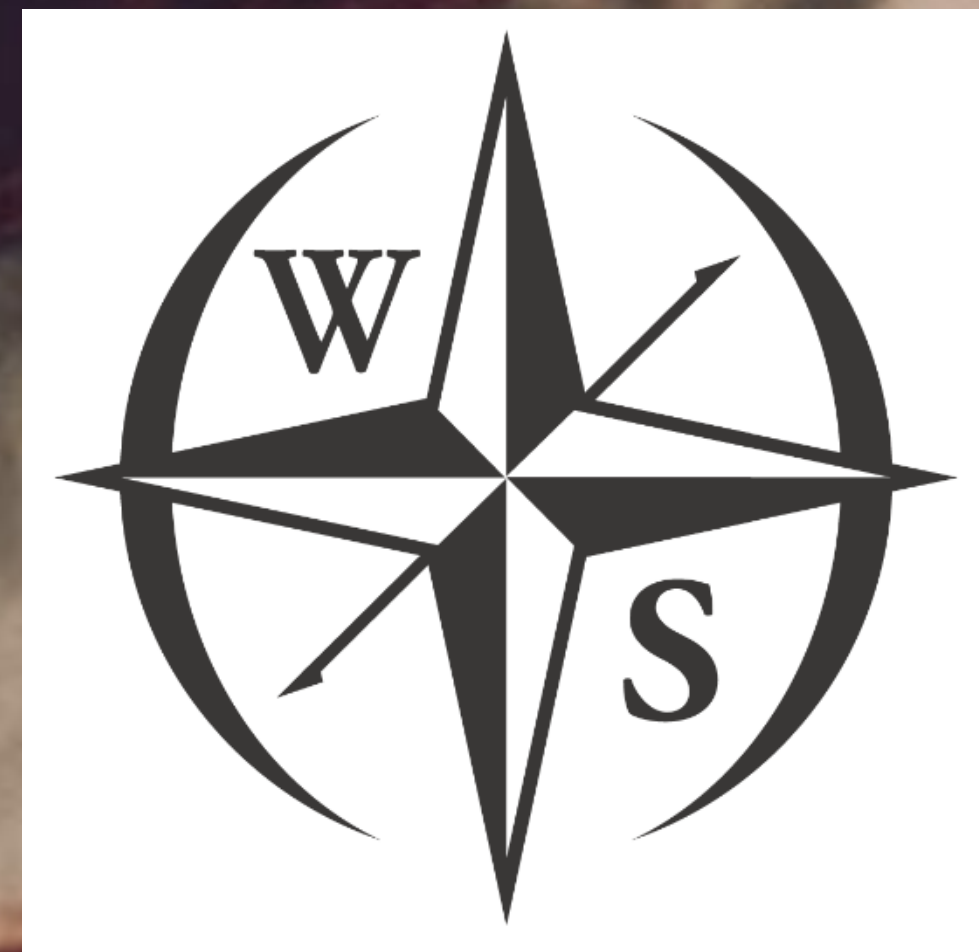
A MESSAGE FROM FOUNDER & OWNER CHRIS KURAN

FOUNDER & OWNER CHRIS KURAN



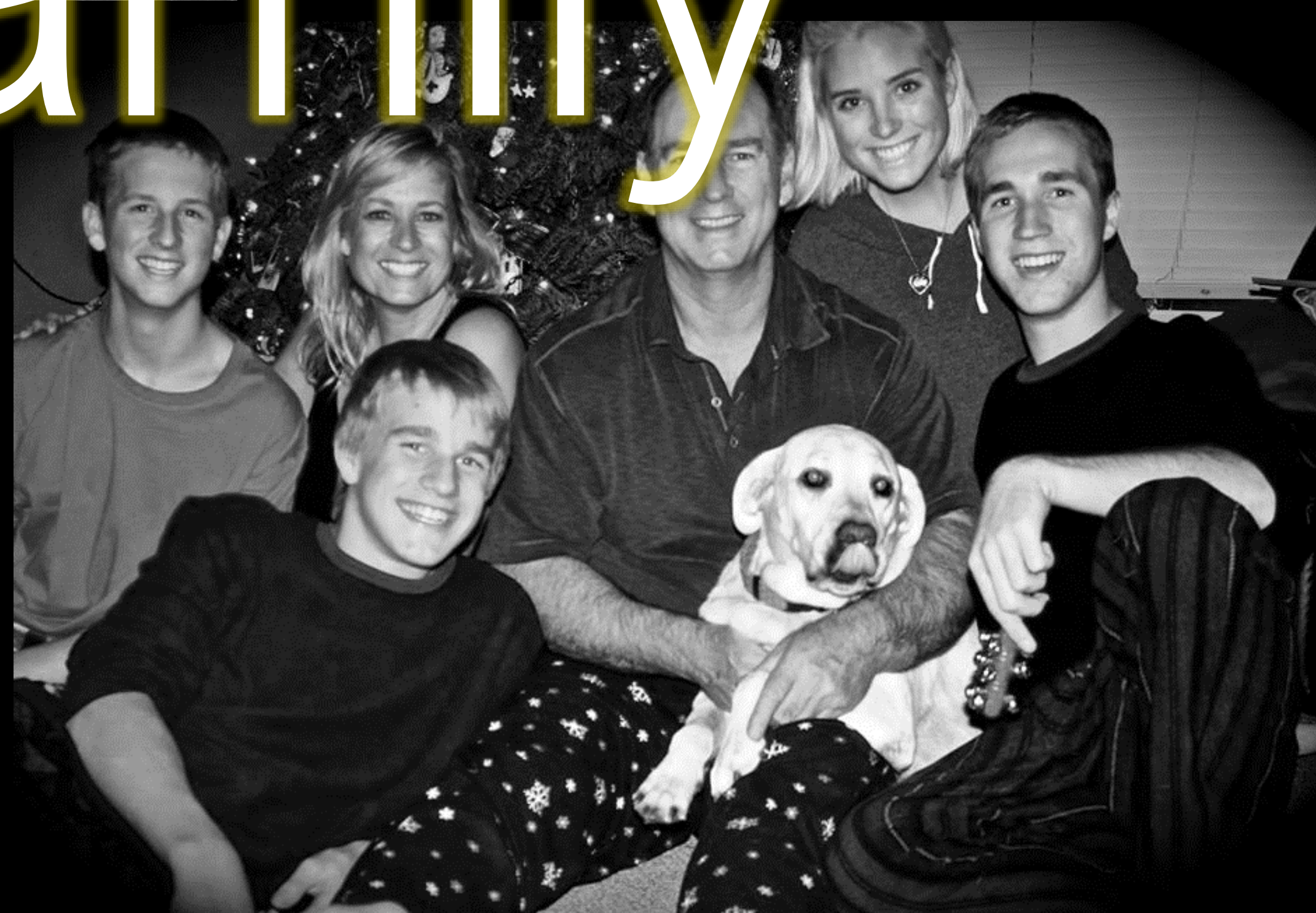
FOUNDED IN 1999 BY CHRIS KURAN

- Initially provided parts and components.
- 2002 launched Waterstone decorative Filtration Faucets.
- 2005 introduced full line of kitchen products.





The Family



THE WATERSTONE FAMILY

EST. 1999



WATERSTONE CORE VALUES

WHO WE ARE AS A BRAND

- ✔ Passion for Excellence
- ✔ Caring For Our Family and Yours
- ✔ Fair and Honest Every Time
- ✔ Teamwork
- ✔ Fun Product, Place, and People



WATERSTONE FAUCETS

KEY PILLARS

LUXURIOUS CRAFTSMANSHIP

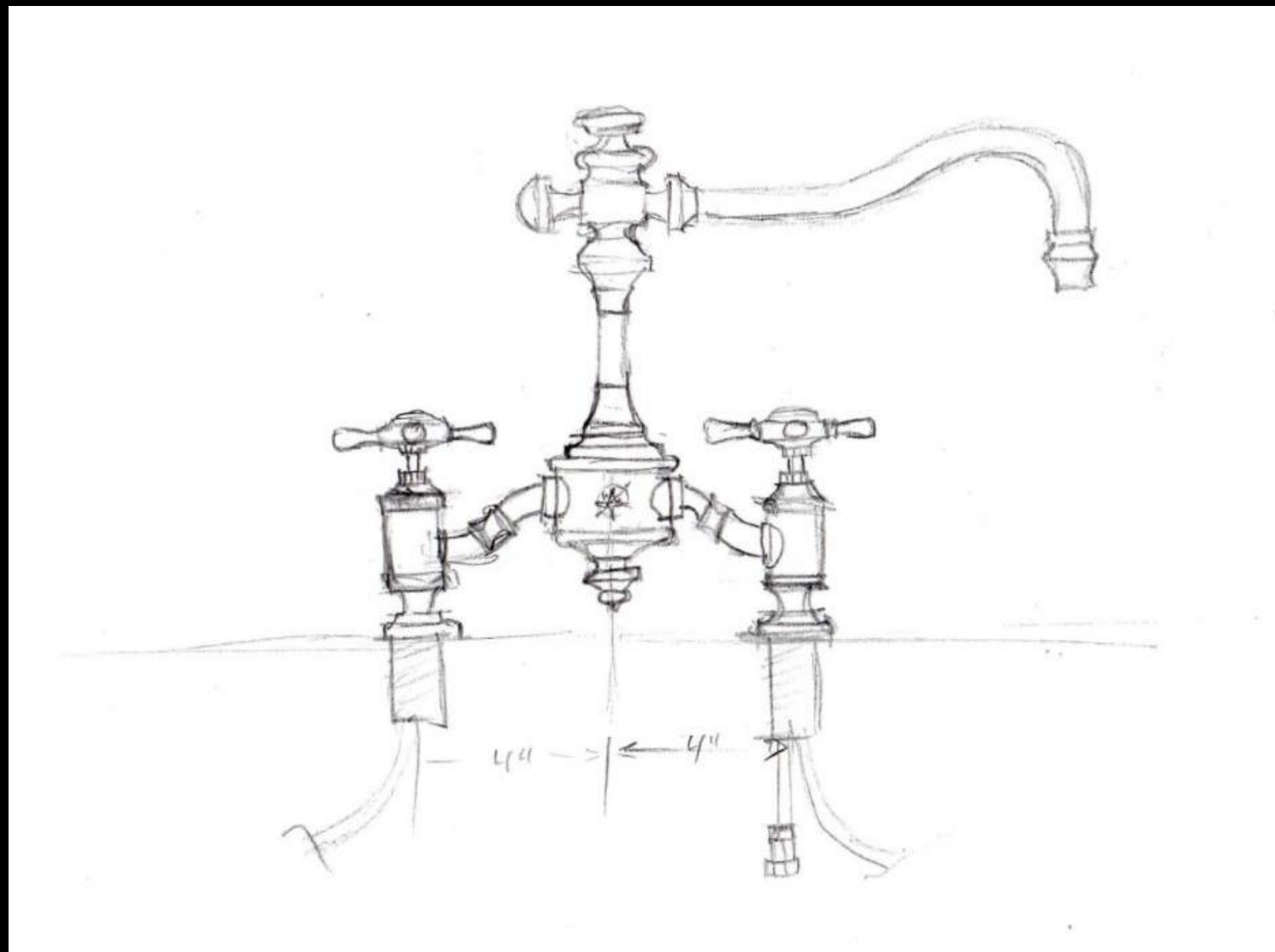
INDUSTRY LEADING DESIGN

THE DEFINITION OF QUALITY AND CLASS

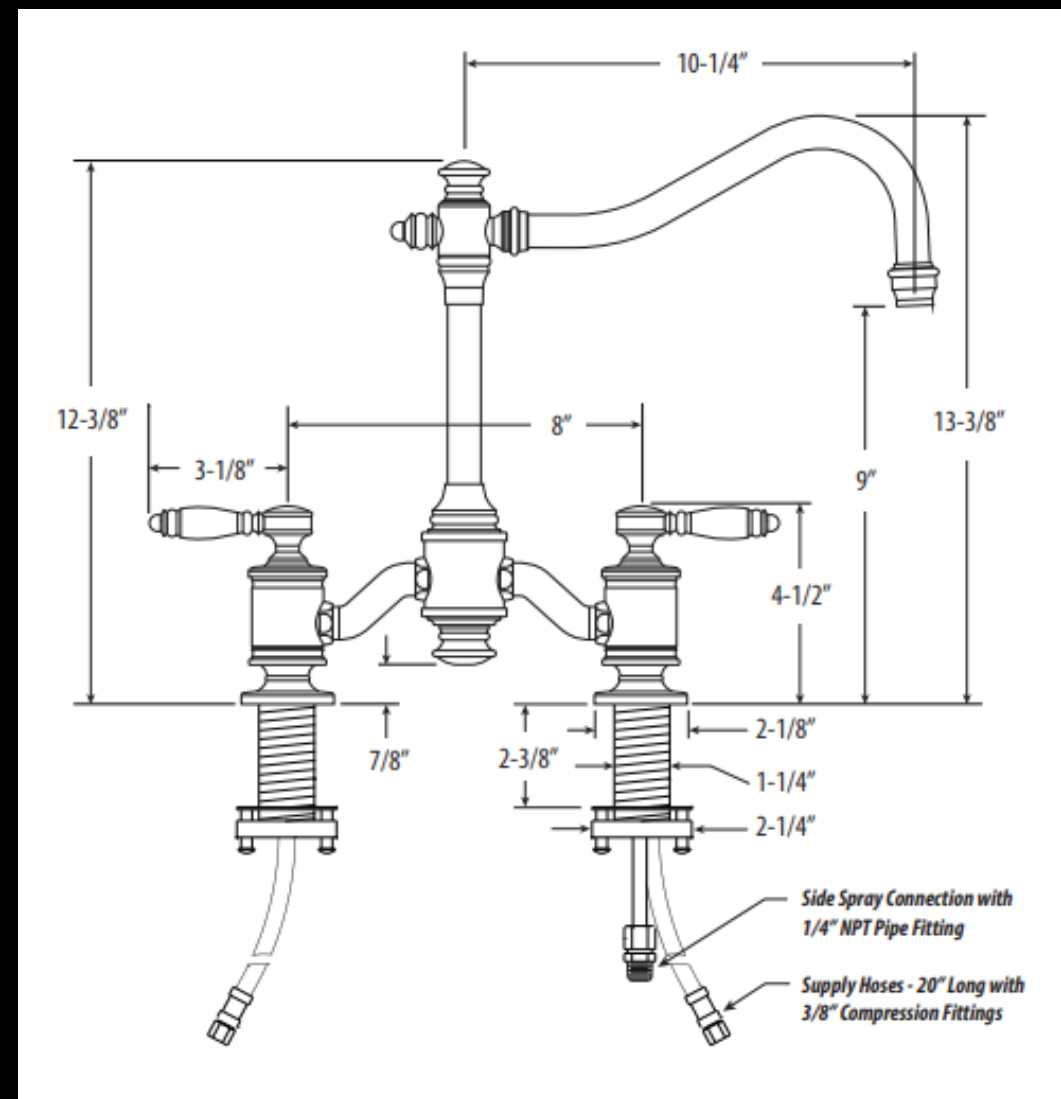
COMPLETE CUSTOMIZATION

LIFETIME COMMITMENT

IT ALL STARTS WITH AN IDEA



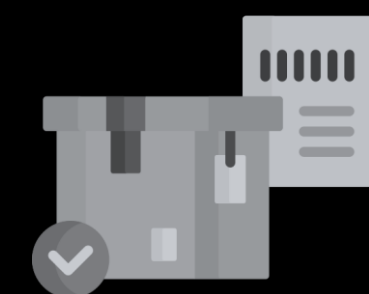
The process starts with multiple sketches and conceptual drawings before any prototype can be made



Once the concept is approved, the engineering team creates technical drawings to be able to build the prototype. Today, the most efficient and cost-effective prototype is 3D printing. This allows for fast prototyping, changes and adjustments before the next stage.

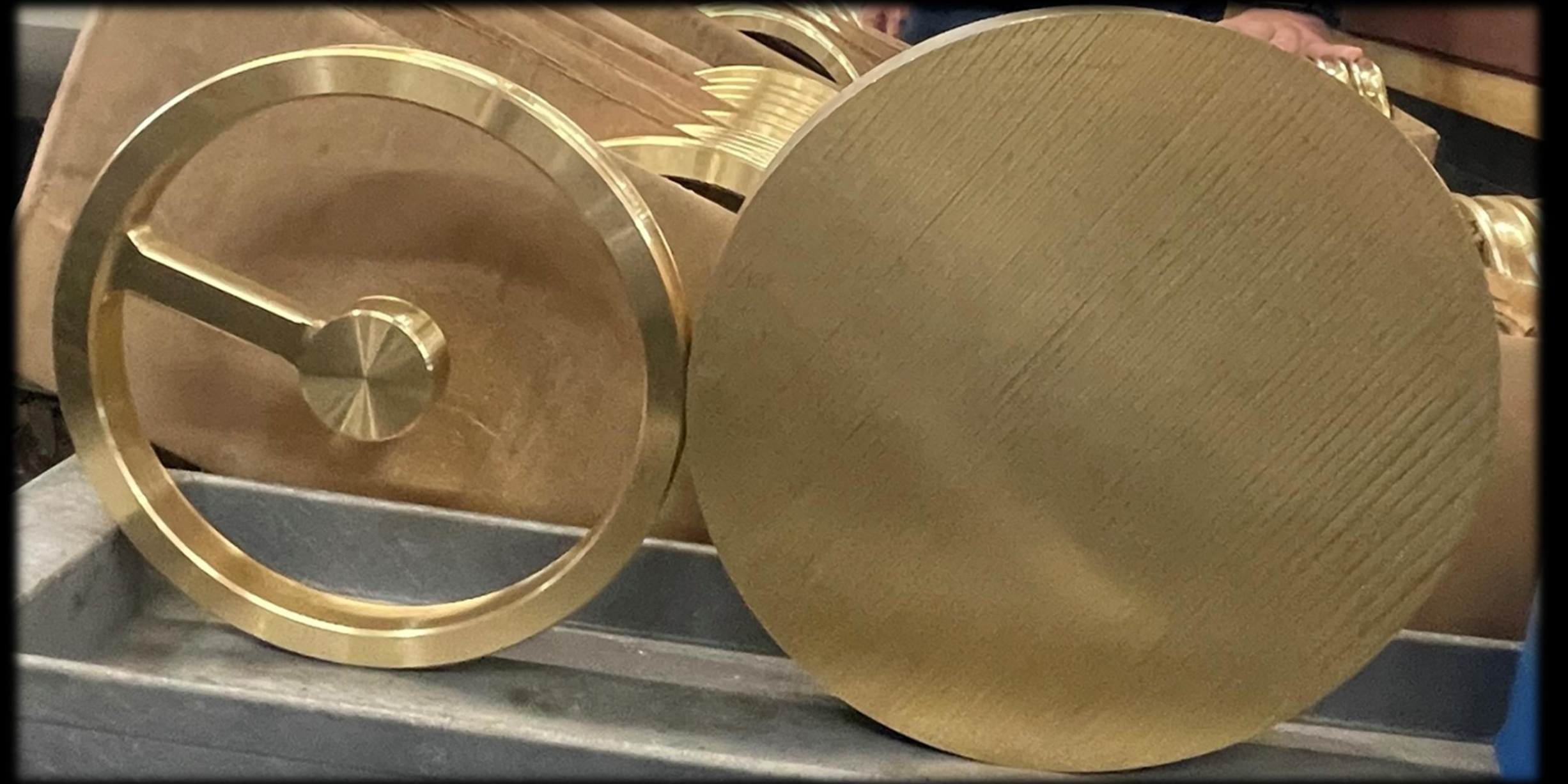


After the 3D model is finalized, the production team begins to create all the pieces necessary to create the final product.

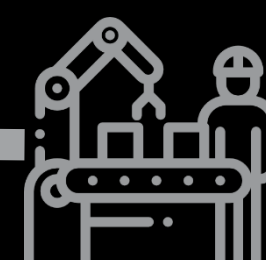
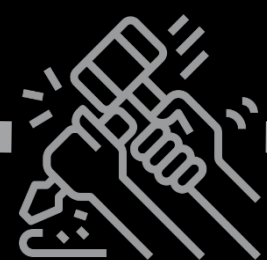
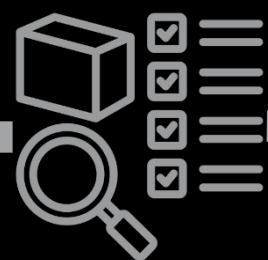
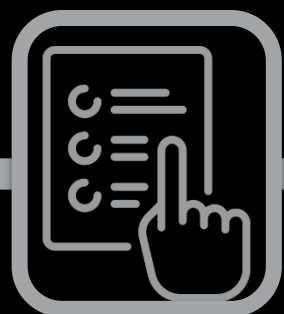


VIRTUAL FACTORY TOUR

ENVIRONMENTALLY CONSCIOUS

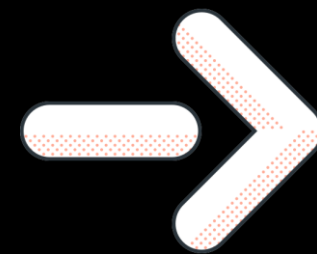


WATERSTONE RECYCLES ALL 62% OF WASTE CREATED THROUGH
CNC MANUFACTURING

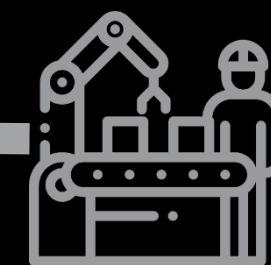
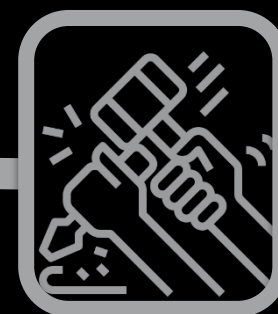
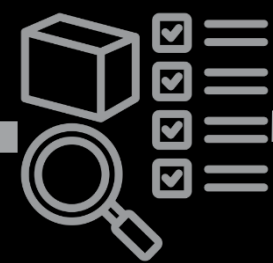
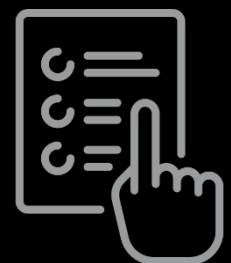


VIRTUAL FACTORY TOUR

STEP 3: FINISHING



POLISHING AND SATINING EACH PIECE BY HAND

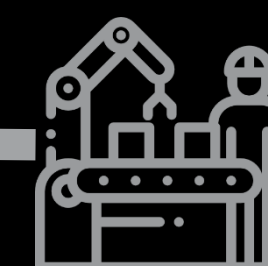
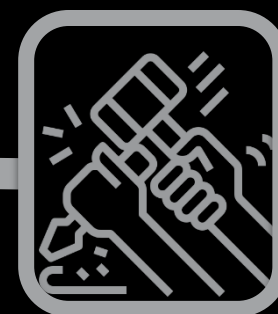
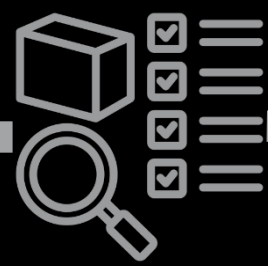
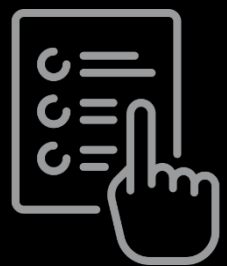


VIRTUAL FACTORY TOUR

STEP 3: FINISHING



GROUP 3 FINISHES ARE ALL COMPLETED BY HAND

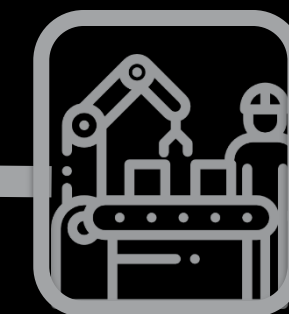
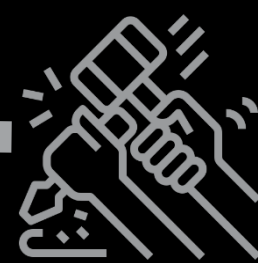
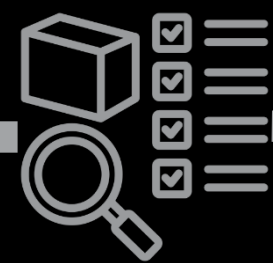


VIRTUAL FACTORY TOUR

STEP 4: ASSEMBLY



EACH FAUCET IS THEN PUT TOGETHER MANUALLY



WATERSTONE FAUCETS

COLLECTION OVERVIEW

INDUSTRY LEADING DESIGN

Beauty and elegance at your fingertips



THE BIRTH OF THE WATERSTONE WHEEL

TRADITIONAL WHEEL

THE DEFINITION OF QUALITY AND CLASS

Inspired by a ship's wheel and American ingenuity, this one-of-a-kind faucet elevates the Pulldown Faucet category. Crafted with premium quality, it features a pulley spray design, a spring-loaded pre-rinse arm, and a 360-degree swivel spout. The innovative braking system ensures a controlled handle return. A single handle allows adjustable hot and cold control.

Make a statement in your kitchen with this enduring centerpiece that will have everyone talking.

Key Features:

- 360-degree swivel
- Pulley braking system prevents spray head snapback
- Spray head pulls up to 20" from spout
- Single handle can mount in front, right or left
- Matching caps to replace WS logo included

Fun Fact. Waterstone uses a luxury automotive seat belt retractor for the pulley braking system.





WATERSTONE IN THE WILD



THE ENDEAVOR
MADE ITS NETFLIX
DEBUT IN
"INVENTING
ANNA"



THE BIRTH OF THE GANTRY

TRADITIONAL GANTRY

THE DEFINITION OF QUALITY AND CLASS

Inspired by massive Gantry cranes in harbors, it features a spring-loaded pre-rinse spray arm and a 360-degree swivel spout. Choose from hook, straight, or articulated spout options with a single handle hot/cold mixer control.

Waterstone, committed to innovation, offers distinctive, durable kitchen faucets for a lifetime of use.

Key Features:

- 360-degree swivel
- Built-in diverter for pre-rinse sprayer.
- Adjustable PTFE Friction Lock for handle feel and sag prevention.
- Single handle can mount in front, right or left
- Matching caps to replace WS logo included

Fun Fact: The gantry also uses a luxury automotive seat belt retractor for the pulley system.





WATERSTONE IN THE WILD

TAYLOR SWIFT
DURING A
VOGUE
MAGAZINE
INTERVIEW WITH
HER
TRADITIONAL
GANTRY WITH
ANNAPOLIS
SPOUT



WATERSTONE IN THE WILD



SELENA GOMEZ WITH HER
TRADITIONAL GANTRY
WITH ANNAPOLIS SPOUT

TRADITIONAL PLP

THE DEFINITION OF QUALITY AND CLASS

Waterstone's exquisite PLP Pulldown Faucets cater to foodies and home cooking, combining contemporary, traditional, transitional, and industrial styles with professional functionality. Simplifying food prep and cleanup, toggle or lever hand sprayers come in standard, extended, or prep sizes. A flexible braided hose ensures smooth movement, counterbalanced weight prevents tug-back, and the sprayer handle locks securely when not in use.

Key Features:

- 360-degree swivel
- Single handle can mount in front, right or left
- Handle can be adjusted 45 degrees
- Spray head pulls up to 18" from spout
- Counterbalance hose weight
- Up to 18lbs of pure American brass
- Matching caps to replace WS logo included

Fun Fact: Waterstone was the originator of PLP technology with our initial patent in 2010.



TRADITIONAL PLP

THE DEFINITION OF QUALITY AND CLASS

Waterstone offer's each style in various sizes, lever options, and our newest offering of angled.



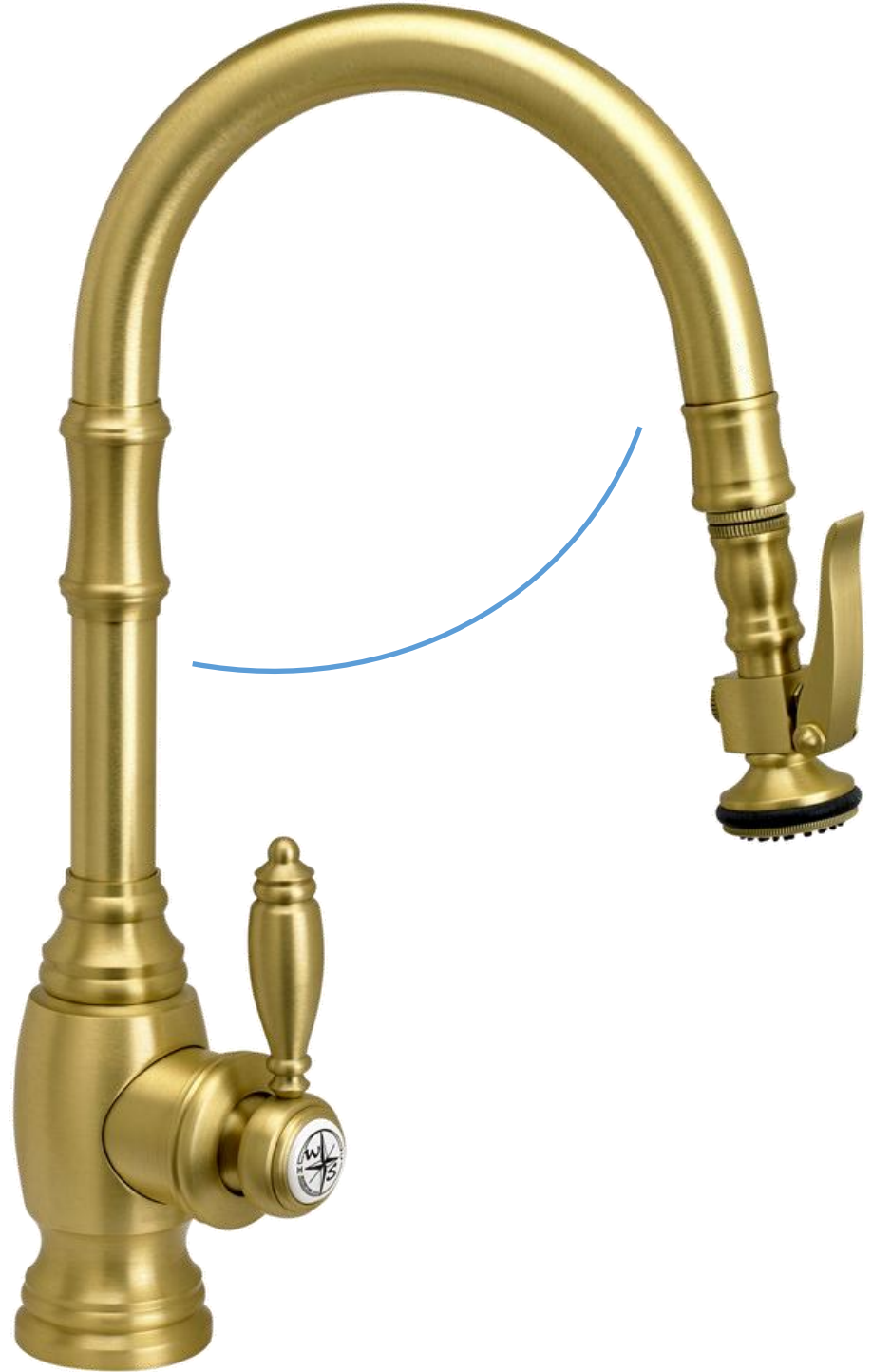
Extended Reach



Standard



Prep



Angled



WATERSTONE IN THE WILD



AMY POEHLER & MAYA RUDOLPH IN THE NETFLIX
MOVIE "WINE COUNTRY" FEATURING A FULL
TRADITIONAL WATERSTONE KITCHEN

PLP (POSITIVE LOCK PULLDOWN)

THE DEFINITION OF QUALITY AND CLASS

Waterstone offers several lines that fall into a contemporary style kitchen. These lines are the Contemporary, Modern, Fulton, Industrial, and our newest 2-handle.

Each PLP has a counterweight already attached to the hose that fits through a standard drilled sink hole. This makes it very convenient for install for plumbers and showrooms alike.

Key Features:

- 360-degree swivel
- Single handle can mount in front, right or left
- Handle can be adjusted 45 degrees
- Spray head pulls up to 18" from spout
- Counterbalance hose weight
- Up to 18lbs of pure American brass

Fun Fact. Waterstone offers each contemporary faucet in a slim body, referred to as the Modern within our price books and website.



PLP STYLES

THE DESIGN IS IN THE DETAILS

Each of the styles below offer designers and customers the ability to completely customize their faucet. Whether they prefer a slimmer body style, best in-class knurling, a double bend spout, or any combination of these designs, Waterstone offers a faucet that will fit perfectly.



Contemporary



Modern



Industrial



Fulton

WATERSTONE IN THE WILD



KENDALL & KRIS JENNER FEATURING A CONTEMPORARY PLP MATTE
BLACK WITH PARCH FILTRATION FAUCET

WATERSTONE IN THE WILD



KHLOE KARDASHIAN AND HER CONTEMPORARY PLP IN POLISHED NICKEL

NEW BEGINNINGS

THE DEFINITION OF QUALITY AND CLASS

Waterstone recently released our newest PLP offering in a 2-handle application. As stunning and unique as this piece is, it is a wonderful option for customer's seeking a sabbath friendly faucet.

This faucet is available in both a modern, sleek body style and industrial style with our gorgeous knurling.



Fun Fact: Many designers are utilizing this 2-handle faucet in a prep size for bars, taking their project to the next level with this beauty.



PLP

INTUITIVE CONVENIENCE

Each faucet can be ordered with the slightest angle, that can make all the difference when it comes to bringing the flow of water another 2" to 3" closer to the end user or hitting that drain just right.



CONTEMPORARY BRIDGE FAUCETS

THE DEFINITION OF QUALITY AND CLASS

Waterstone offers contemporary bridge faucets in 3 different styles.

Key Features:

- Two-holed bridge faucet design mounts 8" on center
- Articulated spout has 12" reach and can swivel 360 degrees
- Equipped with spray diverter and ¼" NPT pipe fitting
- ADA compliant



Hunley



Parche



Fulton



WATERSTONE IN THE WILD



SOFIA VERGARA - LA HOME AS FEATURED IN
ARCHITECTURAL DIGEST FEBRUARY 2024
HAMPTON BRIDGE FAUCET SUITE

WATERSTONE IN THE WILD



SOFIA VERGARA - LA HOME AS FEATURED IN
ARCHITECTURAL DIGEST FEBRUARY 2024
TRADITIONAL PLP & AIR SWITCH

TRADITIONAL KITCHEN FAUCETS

THE DEFINITION OF QUALITY AND CLASS

Waterstone offers the classic faucets in 3 different varieties.

Key Features:

- Articulated spout has 12" to 18" reach and can swivel 360 degrees
- Single handle can mount front, right, or left and adjust for backsplash
- Equipped with spray diverter and ¼" NPT pipe fitting
- 1.75 gpm maximum flow rate with aerated tip
- Matching caps to replace WS logo included



Hampton



Towson



Annapolis

CONTEMPORARY KITCHEN FAUCETS

THE DEFINITION OF QUALITY AND CLASS

Waterstone offers contemporary kitchen faucets in 3 different styles.

Key Features:

- Articulated spout has 12" to 18" reach and can swivel 360 degrees
- Single handle can mount front, right, or left and adjust for backsplash
- Equipped with spray diverter and ¼" NPT pipe fitting
- 1.75 gpm maximum flow rate with aerated tip



Hunley



Parche



Fulton

WATERSTONE IN THE WILD



NATE BERKUS AND JEREMIAH BRENT HANCOCK
PARK HOME FEATURING THE ANNAPOLIS SINGLE
HANDLE FAUCET, BRIDGE SUITE, FILTRATION,
AND POTFILLER

WATERSTONE IN THE WILD



SPOT THE
HUNLEY FAUCET
DURING GUY
FIERI'S COOKING
SHOW

FILTRATION FAUCETS

THE DEFINITION OF QUALITY AND CLASS

Waterstone offers the classic faucets in 4 different varieties.

Key Features:

- Hot, cold, or hot/cold configurations available
- For use with the Waterstone filtration system
- Each model offers a 360-degree swivel
- Single handle and dual handle offered in both lever and cross style



Hunley



Annapolis



Parche



Pembroke



Towson



Fulton



Hampton



Industrial

UNDER SINK SYSTEMS

QUALITY IN EVERY SIP

Waterstone several under counter systems that pair with all our filtration faucets.

Key Features:

- An ABS plastic housing give the unit a lighter overall weight.
- Inside is a 304 stainless steel water tank that is insulated for heat retention and noise reduction.
- Built-in inline Pressure Regulator Valve protects lifespan of internal parts.
- An overheat sensor will automatically shut off if water gets low or runs out.
- Amperage is 11.5 and wattage is 1500 watts.
- Stainless Steel push fit adapters included
- 3/8 npsm x 1/4" push fit and 3/8" npsm x 5/16" push fit
- Heating capacity and recovery rate of the tank.
- Heats from 167- 208 degrees and the recovery is 3-5 mins when all hot water has been dispensed.
- 2 liters per min (60 cups per hour)
- Programmable pre-set temperatures
- 2 Year Warranty



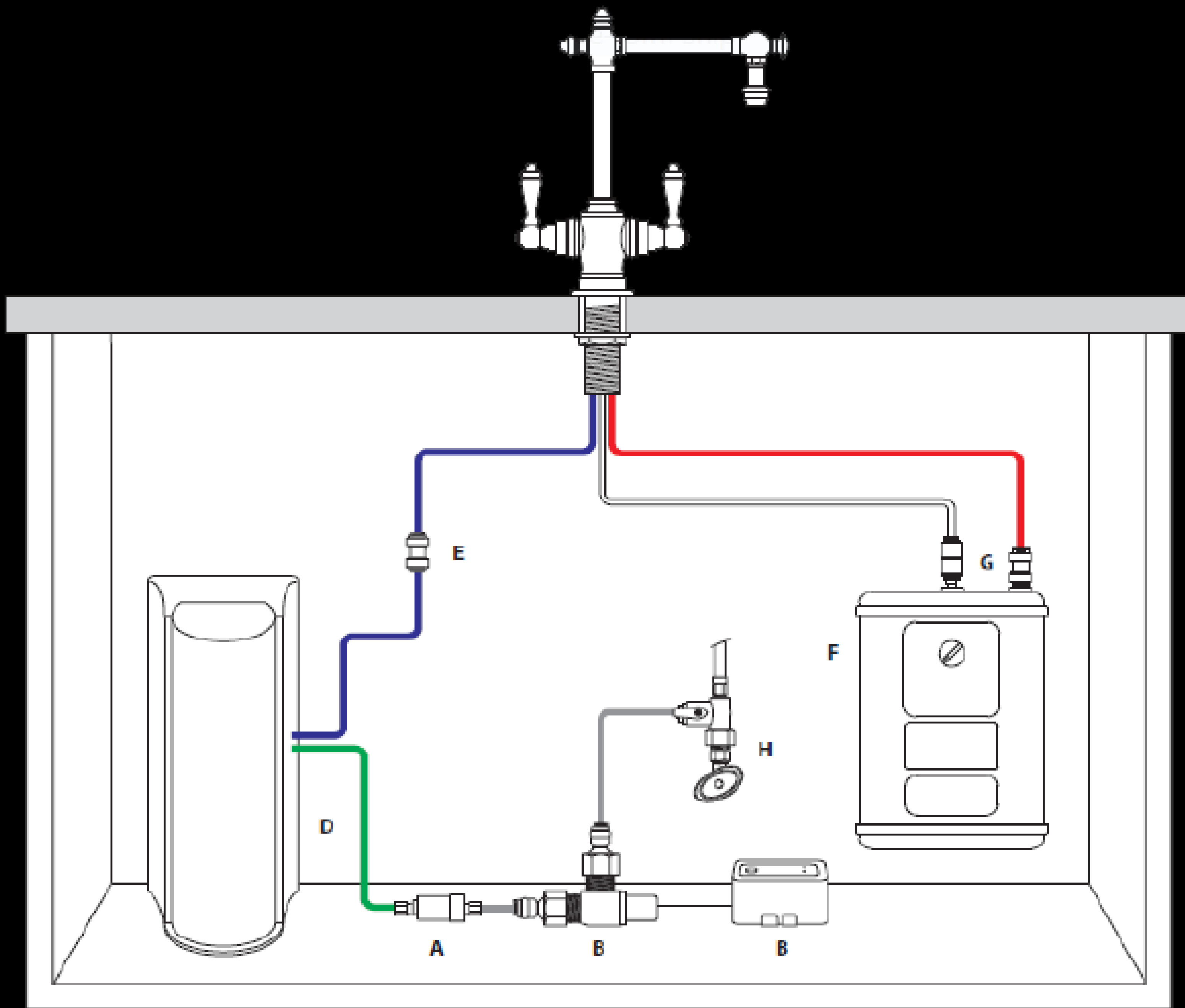
Safety Valve Leak Detector



Digital Hot Tank



Multi-Stage Filtration Unit



TRADITIONAL POT FILLERS

THE DEFINITION OF QUALITY AND CLASS

Waterstone offers both wall and deck mounted pot fillers.

Key Features:

- Cold water hook up.
- Stub-out connection 1/2" NPT.
- Articulated spout reach swings 22".
- Built-in check valve prevents dripping.
- 1.75 gpm maximum flow rate with aerated



CONTEMPORARY POT FILLERS

THE DEFINITION OF QUALITY AND CLASS

Waterstone offers both wall and deck mounted pot fillers.

Key Features:

- Cold water hook up.
- Stub-out connection 1/2" NPT.
- Articulated spout reach swings 22".
- Built-in check valve prevents dripping.
- 1.75 gpm maximum flow rate with aerated



ACCESSORIES

THE DEFINITION OF QUALITY AND CLASS

Waterstone offers the full suites of accessories to match our faucets.



Side Spray

Key Features:

- Ergonomic and fully insulated handle.
- Reaches every corner of the sink.
- No drip spray nozzle head.
- 48" nylon reinforced connection hose.



Air Switch

Key Features:

- Includes two-outlet control box and tubing.
- Isolated from electrical connections.
- Easily replaceable air pump.
- Includes 2 accent button options.



Dispenser

Key Features:

- Pump can be removed to refill soap from top of sink.
- Solid feel, smooth non-wobble pump action feel.
- High volume 2cc pump



Air Gap

Key Features:

- Prevents dishwasher back flow and dirt buildup.
- Matches all traditional Waterstone faucets.
- Cover hides upper nut and washer edges



Hole Cover

Key Features:

- 2-1/8" diameter cover: standard size sink hole
- Perfect for 2-holed Bridge Faucets.



Plate

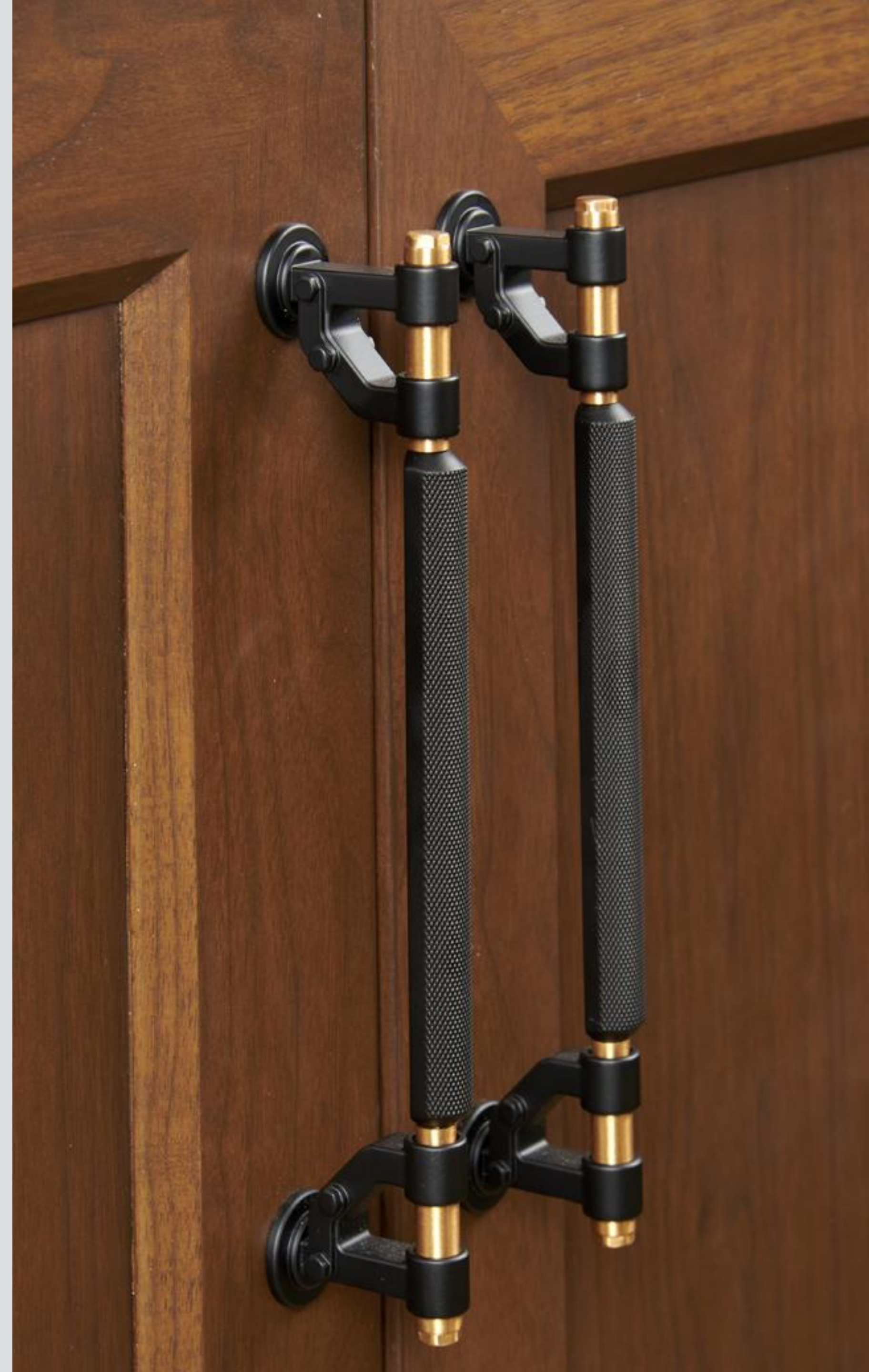
Key Features:

- 6" base plate for concealing extra faucet holes.
- Machine tapered top won't pool water.
- Plate will accept 1-3/8" or 1-1/4" mounting shanks.

HARDWARE

THE DEFINITION OF QUALITY AND CLASS

Waterstone offers a wide variety of hardware to match each contemporary style faucet suite.



FINISHES OVERVIEW

COMPLETE CUSTOMIZATION

Waterstone offers 33 standard finishes, stainless steel options in certain models, and even custom color selections.

GROUP 1



Chrome

STAINLESS STEEL



316 Stainless Steel

PRECIOUS METALS



Polished Gold



Satin Gold

GROUP 3



Antique Brass



American Bronze



Antique Bronze*



Antique Copper



Antique Pewter



Black Oil Rubbed Bronze*

GROUP 2



Black Nickel



Chocolate Bronze



Classic Bronze



Graphite



Matte Black



Matte White



Caribbean Bronze*



Distressed Antique Brass



Distressed Antique Copper



Distressed American Bronze



Distressed Antique Pewter



Matte Antique Brass



Polished Brass



Polished Nickel



Satin Brass



Satin Chrome



Satin Nickel



Unlacquered Polished Brass*



Matte Antique Copper



Matte Antique Pewter



Polished Copper



Tuscan Brass*



SPLIT FINISHES AVAILABLE



Fun Fact: Waterstone's stainless steel is 316 marine grade, meaning it is outdoor and yacht approved. All aboard!

SPLIT FINISHES

COMPLETE CUSTOMIZATION

Waterstone offers accent finishes on all faucets utilizing any combination of standard or custom color offerings.

- For our standard 33 finishes, it is a 10% upcharge from the highest group.
- The Waterstone price book has accent diagrams available for each model available.





WATERSTONE FAUCETS

FINISHES

COMPLETE CUSTOMIZATION

Next level customization unlocked

CUSTOM & CUSTOM SPLIT FINISHES

COMPLETE CUSTOMIZATION

Waterstone offers accent finishes on all faucets utilizing any combination of standard or custom color offerings.

- For custom finishes, whether it is split or not, it is a 40% upcharge from group 3.
- The Waterstone price book has accent diagrams available for each model available.





ARGONAUT

Collection Overview
Designs By Chris Kuran



Introducing the Argonaut Bath Suite by Waterstone Faucets

This luxurious collection features over 18 unique pieces machined from domestically sourced, solid brass bar stock, and is crafted by Waterstone's trained artisans in Murrieta, California.

Key Argonaut features:

- Available in CD, CH, MB, PN, SN, UPB, and split finish.
- Incorporates diamond cut knurling decorative accents.
- Lifetime warranty.
- American engineering.



Chris Kuran's unique design of the Argonaut shower system takes its cues from modern U.S. nuclear submarines.

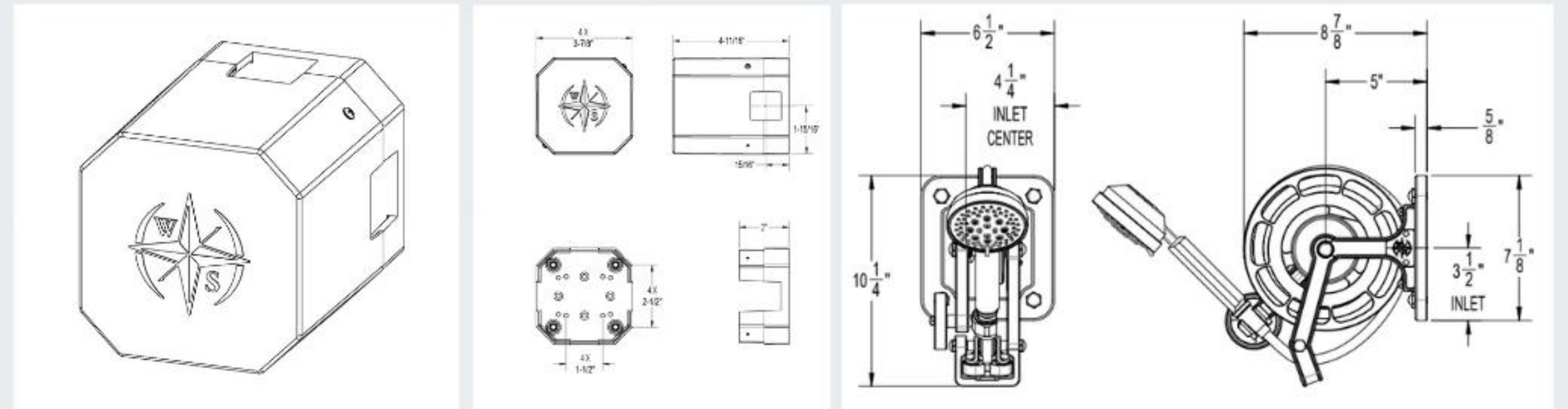


Argonaut was designed to inspire and create an artistic and emotional reaction. Everything we do is designer-driven and creates a one-of-a-kind experience that only Waterstone can deliver.
- Chris Kuran

Argonaut: Retractable Wheel System With Hand Shower

Key Features: AG254-1

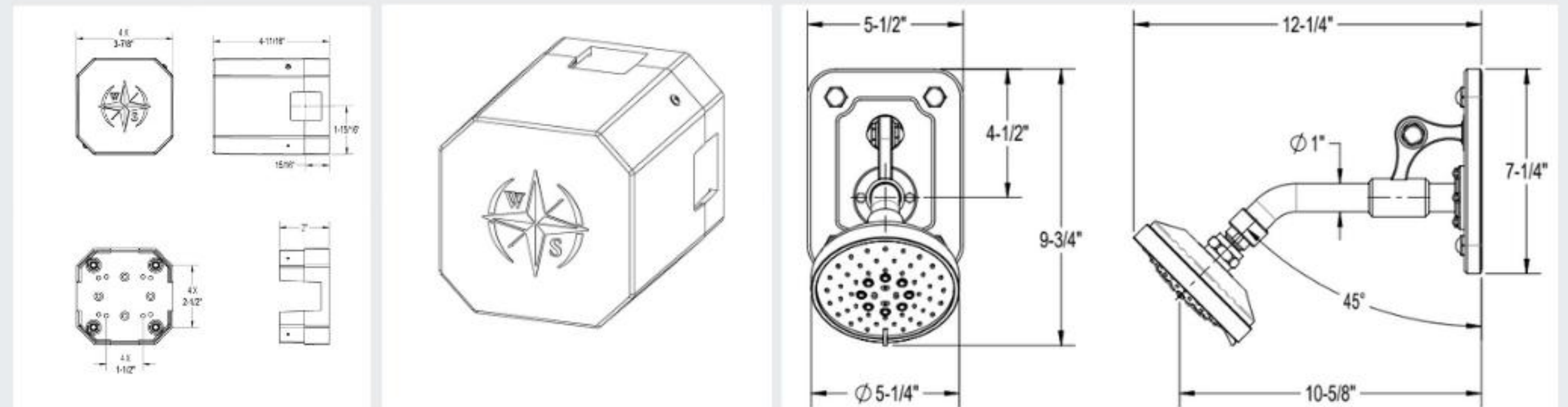
- Machined from solid brass and 316 stainless steel.
- Wheel spring technology allows for smooth extraction and retraction from and to the holder.
- 4" face with 3 individual spray functions: firm, massage, and soft aerated spray.
- 68" hose length.
- Rough-in (10122) required sold separately.



Argonaut: Wall Mount Shower Head with Back Plate

Key Features: AG250-1

- Machined from solid brass.
- 5" spray face.
- 3 individual spray functions: firm, massage, and soft aerated spray.
- Decorative arm and backplate.
- Rough-in (10122) required and sold separately.

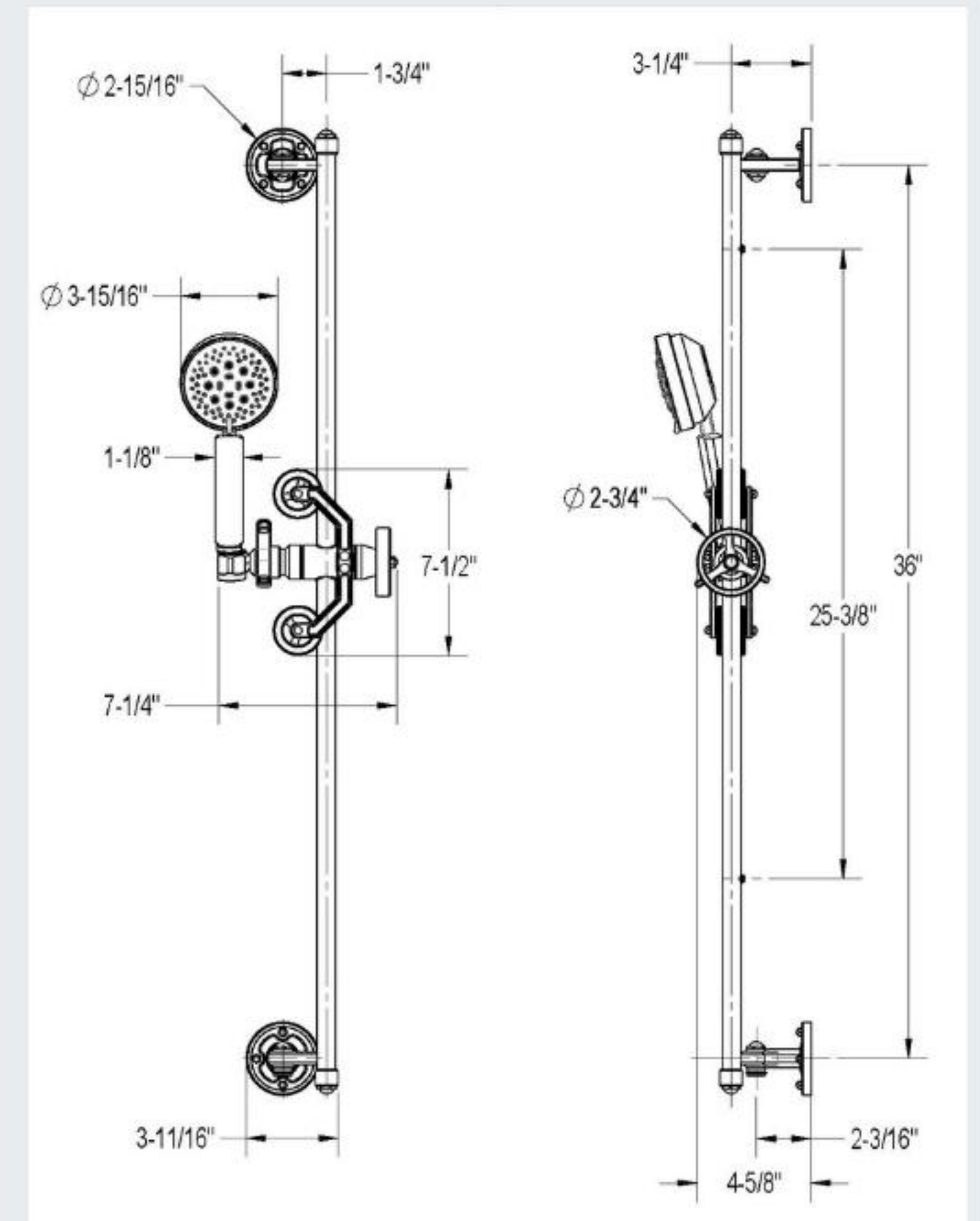




Argonaut: Slide Bar with Hand Shower

Key Features: AG255-1

- Machined from solid brass.
- 36" slide rail with stop.
- 4" spray face.
- 3 individual spray functions: firm, massage, and soft aerated spray.





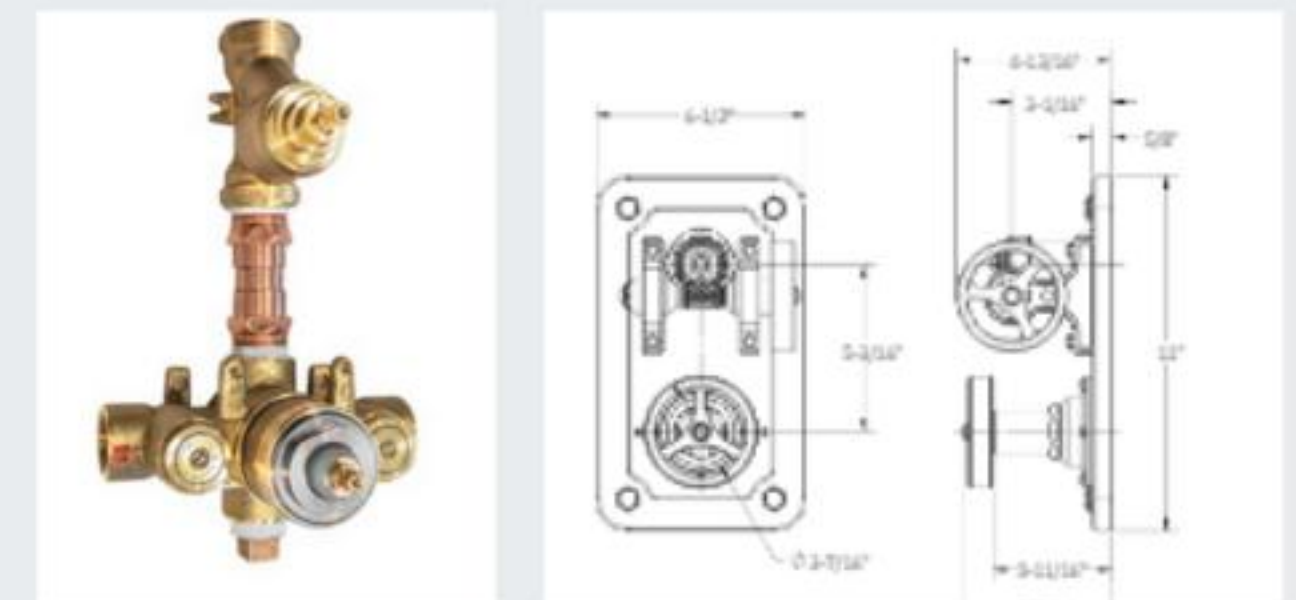
Argonaut: Thermostatic Shower Trim w/ Built in Volume Control

Key Features: AG221-1

- Machined from solid brass in Murrieta, CA.
- Independent controls for volume and water temperature.
- Push and turn handle feature overrides hot limit stop to increase water temperature.
- Volume control operates by stainless steel spherical drive system.
- 3/4" high-flow volume regulator allows full flow to all outlets.
- Includes cartridge stem extension kit for wall thickness up to 3".

Rough-in (10120) valve kit for the AG221-1

- 3/4" NPT female thread (inlet and outlet) valve body.
- 1/4 turn washer-less ceramic disc.
- 3/4" valve cartridges.



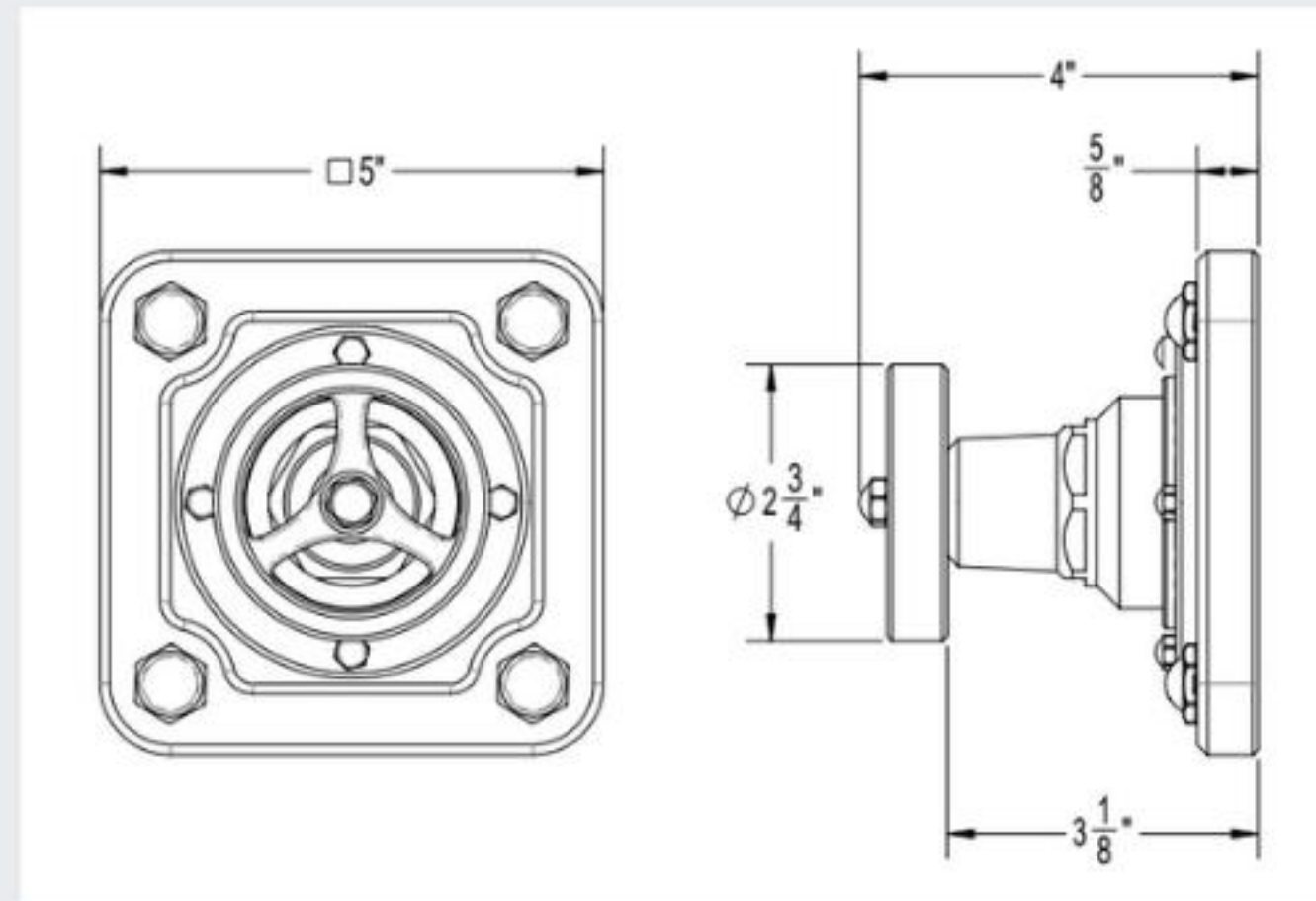
Argonaut: Diverter

Key Features: AG231-1

- Machined from solid brass.
- Single handle diverter allows a quick switch between 2 or 3 individual components.
- When turned, the handle gently clicks into the desired function.
- Includes cartridge stem extension kit for wall thickness up to 3".

Rough-in (10121) valve for the AG231-1

- 1/2" NPT female inlet connection.
- Three 1/2" npt female outlet connections.
- Two or three-way diverter valve.



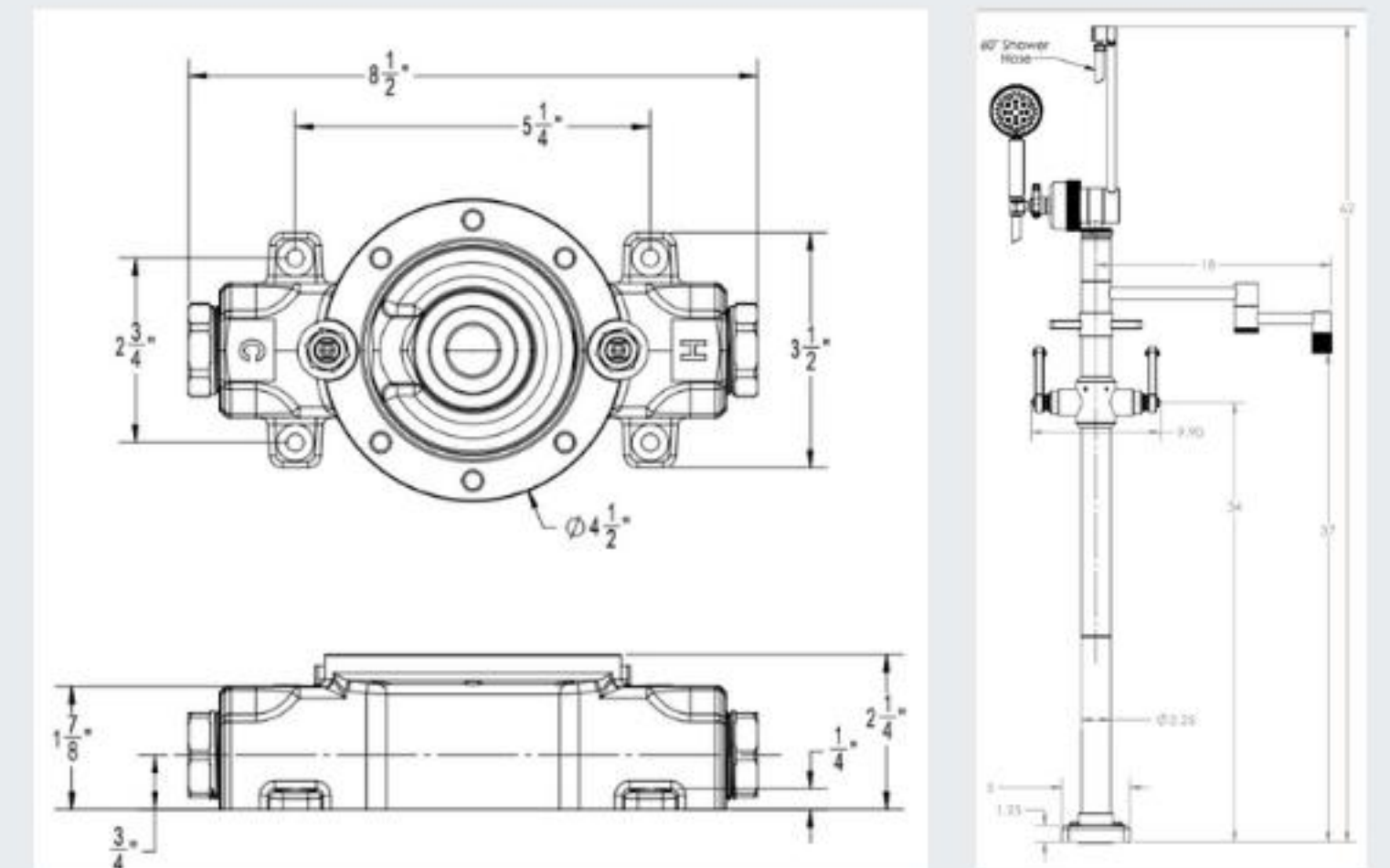
Argonaut: Freestanding Tub Filler w/ Hand Shower

Key Features: AG245-1

- 18 gpm maximum flow rate.
- 3/4" hot and cold ceramic disk 1/4 turn cartridges.
- Push lever diverts water flow between tub spout and hand shower.
- 17" articulated spout reach.
- Long reaching 60" spray hose.
- Spray arm spring technology lets hand shower extend with ease.
- 4" hand shower spray face.
- 1.75 gpm hand shower flow rate.
- 3 individual spray options – firm, massage or soft aerated spray.

Rough-in (10123) required sold separately.

- 3/4" npt inlet connections.
- Maximum floor thickness 2-1/4".
- Brass construction.
- Includes mudguard and hardware.
- Trim sold separately.

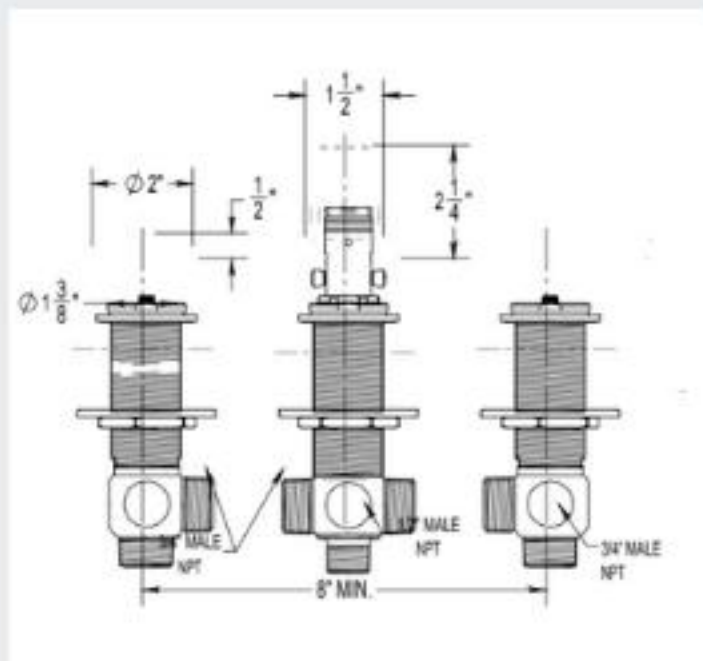
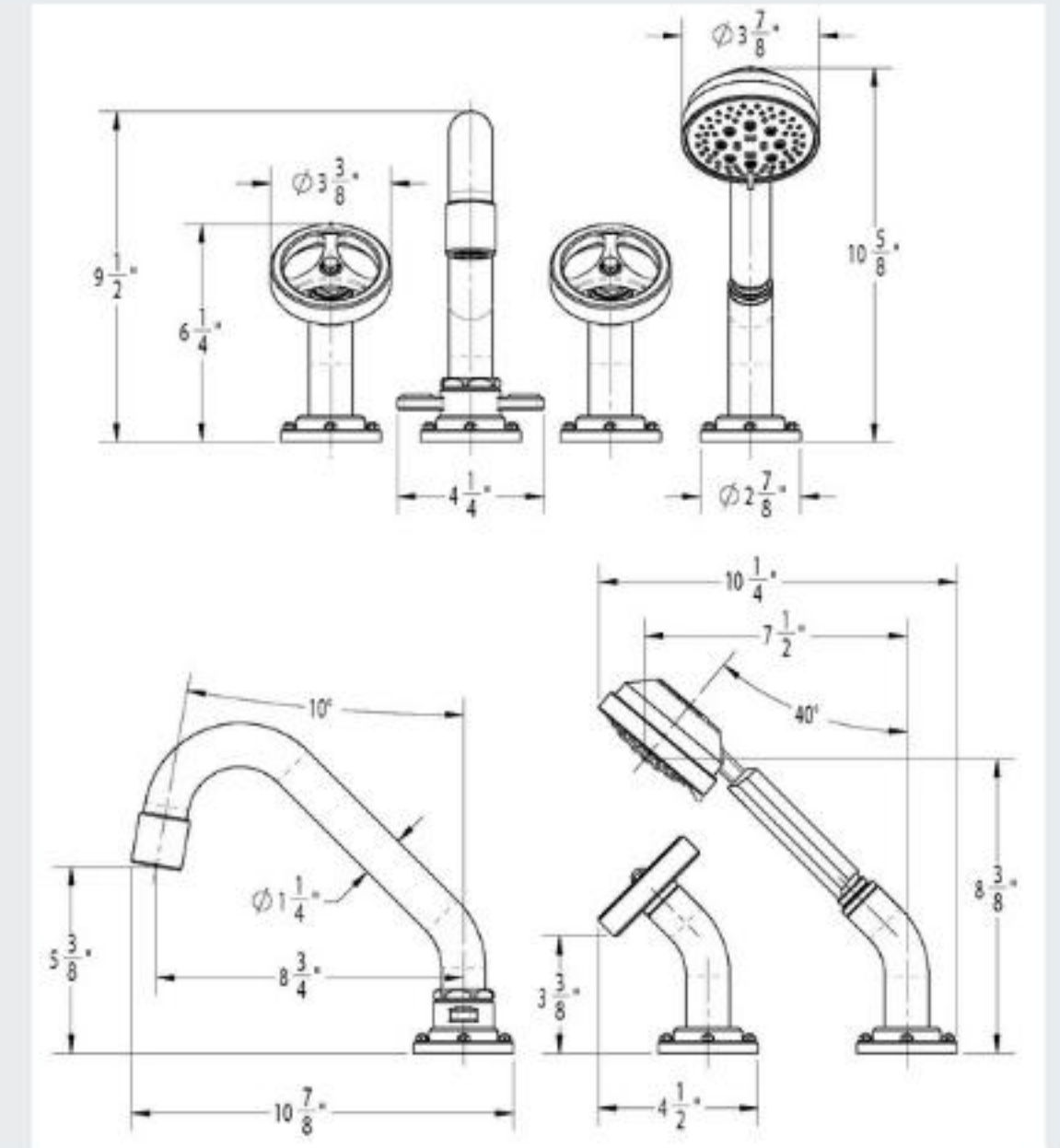




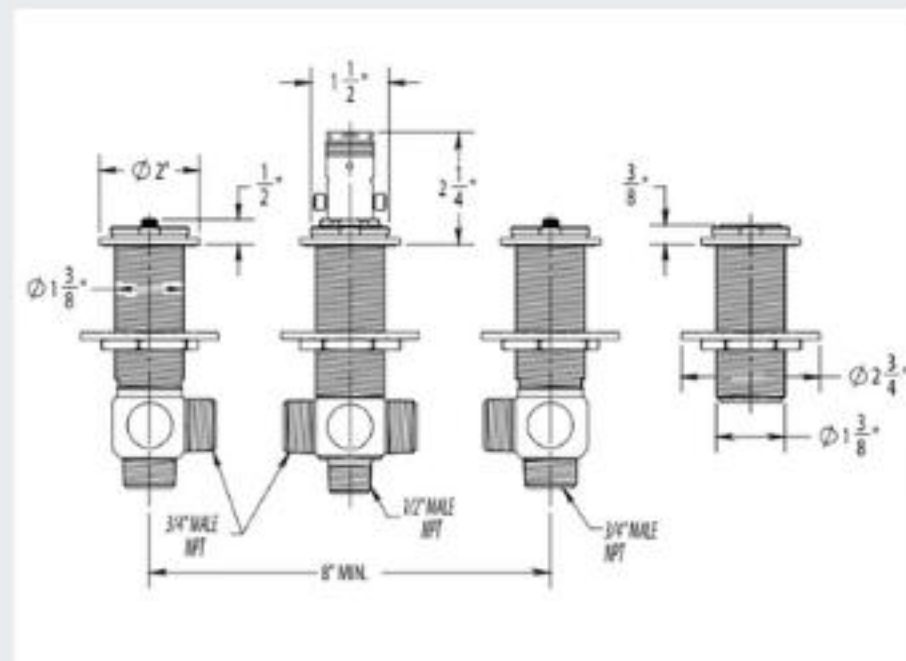
Argonaut: Deck Mount Tub Filler

Key Features: AG240-1, AG241-1

- Laminar spout flow creates a solid stream of water without splatter.
- Push lever diverts water flow between tub spout and hand shower.
- 3 individual spray options - firm, massage, or soft aerated spray.
- 4-hole, 1-1/4" diameter mounting design.
- 3/4" hot and cold ceramic disk 1/4 turn cartridges.
- 9" tub spout reach.
- 4" wide hand shower spray face.
- 18 gpm flow rate at 60 PSI.
- 1.75 gpm hand shower flow rate.
- Available w/o hand shower (model AG241-1).



Rough-in 10124A Required:
Sold Separately



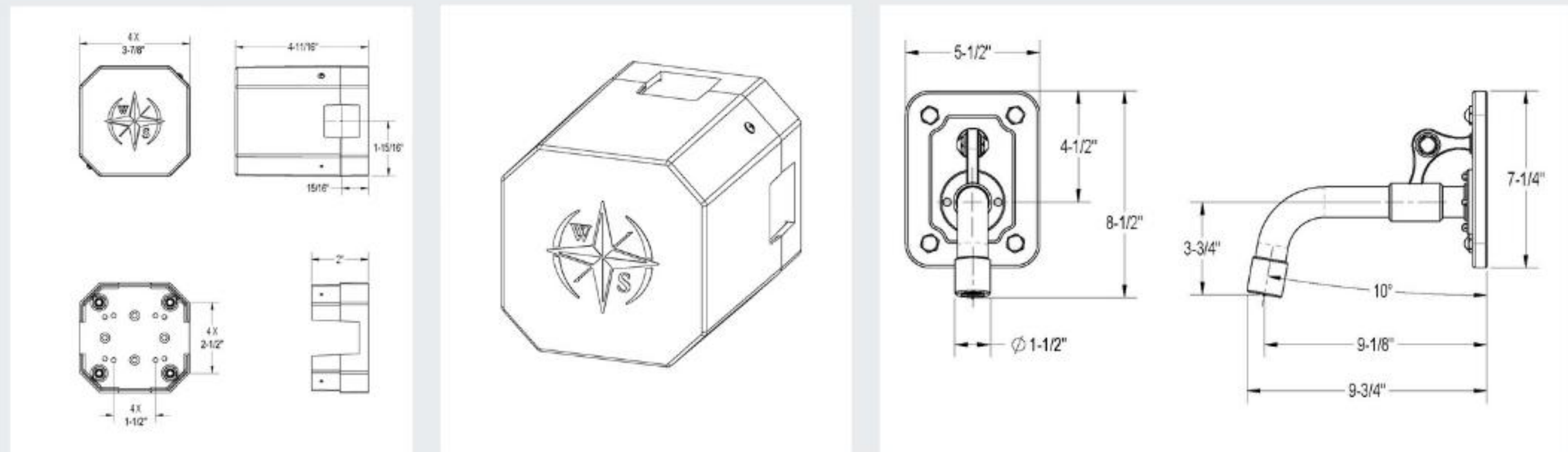
Rough-in 10124 Required:
Sold Separately



Argonaut: Wall Mount Tub Filler w/Back Plate

Key Features: AG244-1-1

- Machined from solid brass.
- 9" tub spout reach.
- 5-1/2"W x 8-1/4"H back plate.
- Laminar spout flow creates a solid stream of water without splatter.
- Rough-in (10122) required sold separately.





Argonaut: Lavatory Faucet & Drains

Key Features: AG280-1, AG281-1

- Machined from solid brass in Murrieta, CA.
- 6-3/4" spout height, 6-3/8" spout reach.
- Handles can be installed between 8" to 16" on center.
- 1/2" hot and cold ceramic disk 1/4 turn cartridges.
- 1.2 gpm maximum flow rate.
- Includes push drain. With overflow (AG280-1) or without overflow (AG281-1).

AG281-1
NO OVERFLOW



AG280-1
OVERFLOW



Argonaut: Accessories



Key Features: AG301-1, AG302-1

- Single & double robe hook available.
- Extends 3-5/8" from wall.
- Includes heavy-duty mounting system.
- Ideal for hanging heavy robes or towels.



Key Features: Towel Bars

- Available in 8 in, 18 in, 24 in, or 30 in wide.
- Includes heavy duty mounting system.
- AG308-1, AG318-1, AG324-1, AG330-1.



Key Features: AG307-1

- 8-1/4" W x 3" H back plate.
- Machined from solid brass.
- Smooth swing-open action.



Argonaut: Industrial Hardware Collection

Elevate your entire bathroom aesthetic with impeccably coordinated industrial cabinet knobs and pulls. Each boasts an exquisite diamond knurling texture and flawless finish, ensuring unparalleled uniformity. In matters of cabinet hardware, compromise is inconceivable.

- Machined from solid brass or 316 stainless steel.
- Diamond cut knurling accents.
- Available in split finish.

Split Finishes

The faucet can be split using any combination of the standard finishes listed below. For pricing add 10% to the higher list price of the 2 finishes.

Group 1

- Chrome - CH

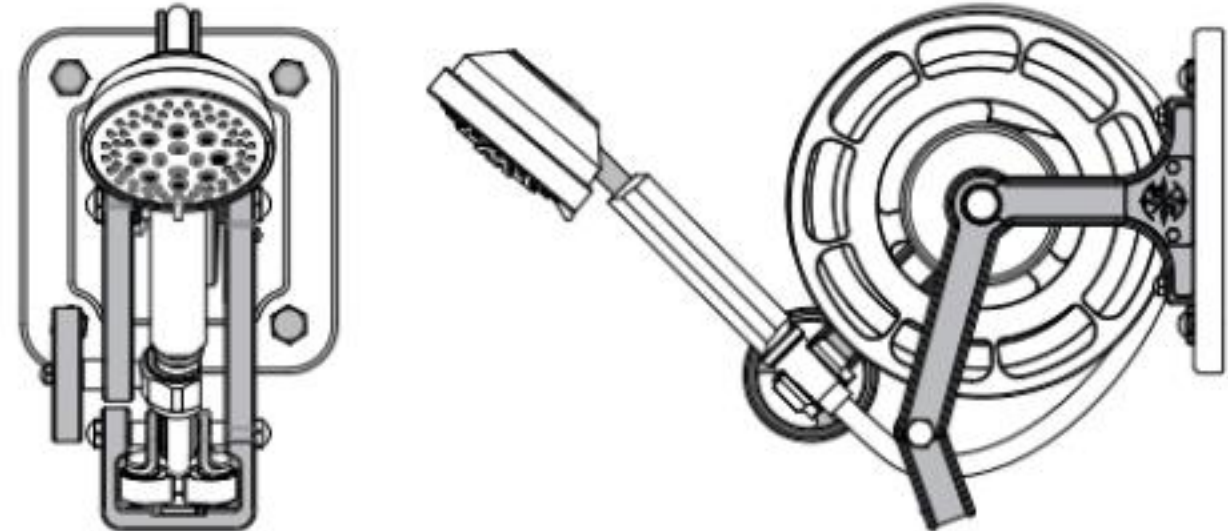
Group 2

- Chardonnay - CD
- Matte Black - MB
- Polished Nickel - PN
- Satin Nickel - SN
- Unlacquered Polished Brass - UPB

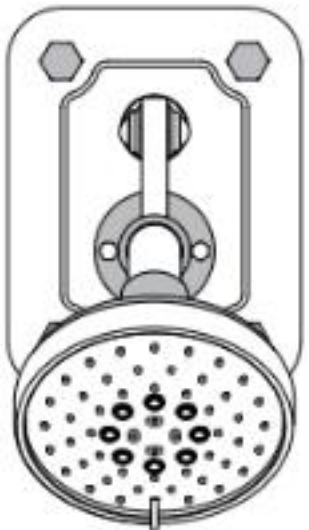
HOW TO DESIGNATE A SPLIT FINISH FAUCET WHEN ORDERING

Take the model number and add both finishes to the suffix starting with the **Primary finish** followed by the **Accent finish**. For Matte Black (MB) and Chardonnay (CD), it would be **AG254-1-MB_CD**. If you wanted Chardonnay (CD) and Polished Nickel (PN) it would be **AG254-1-CD_PN**. For all split finish designs click "Split Finishes" in the top menu of our home page on www.waterstoneco.com

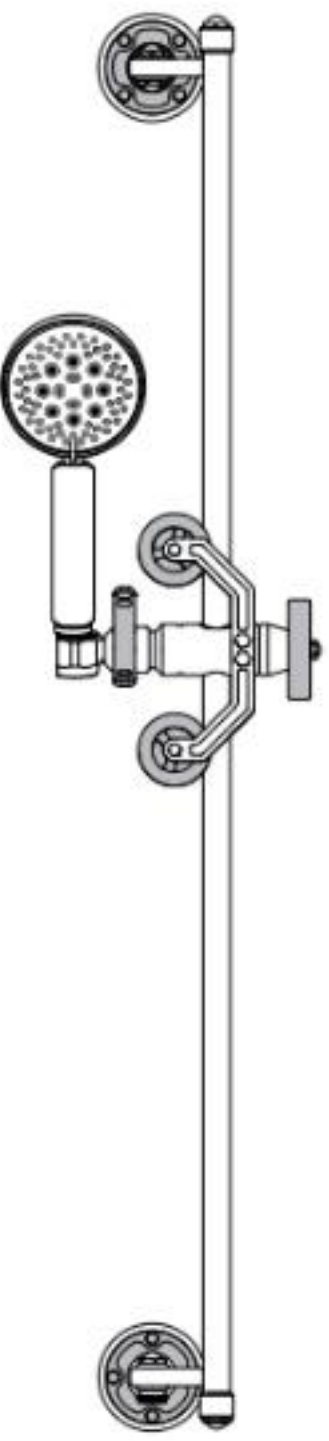
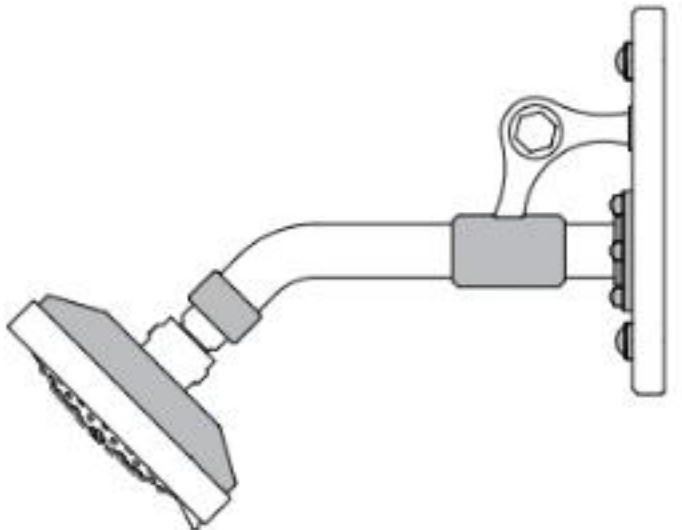
Shower



AG254-1



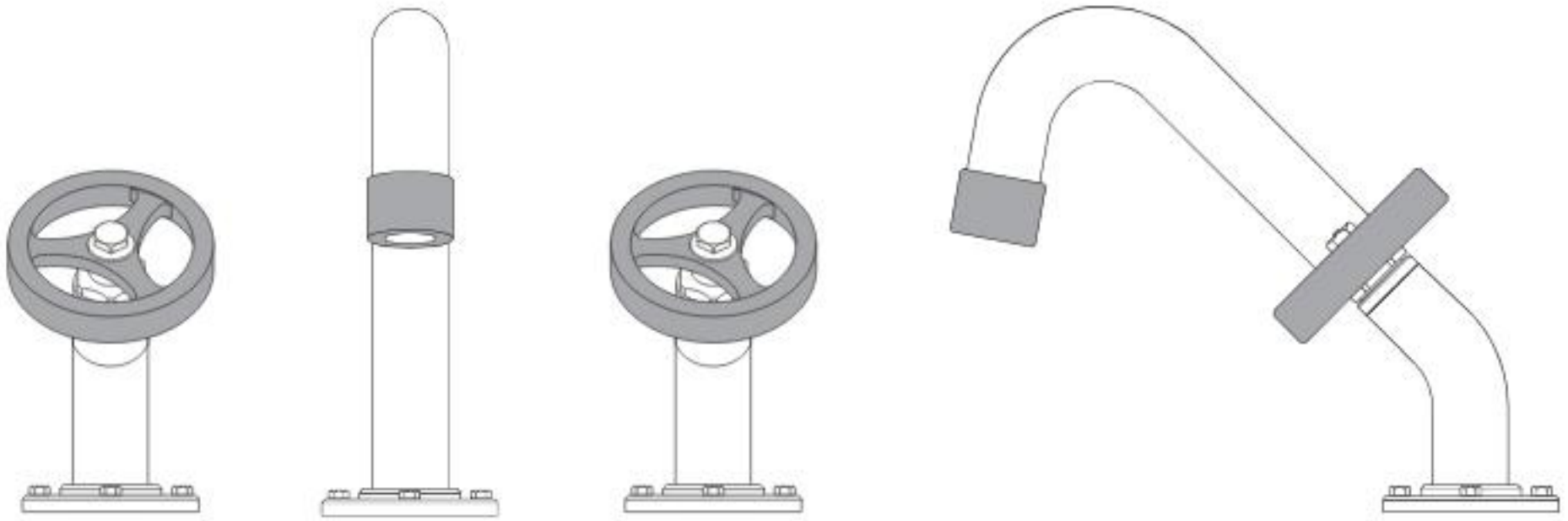
AG250-1



AG255-1



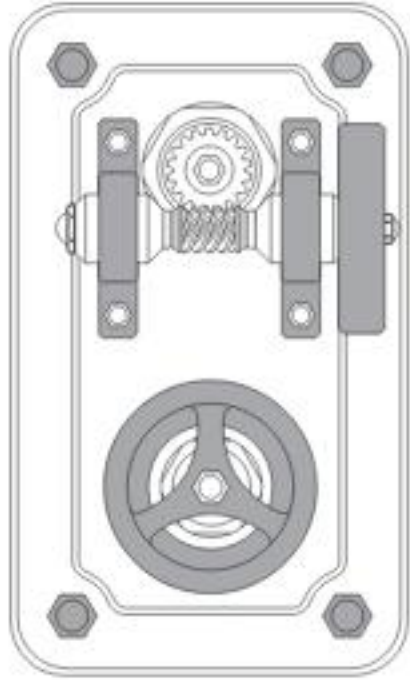
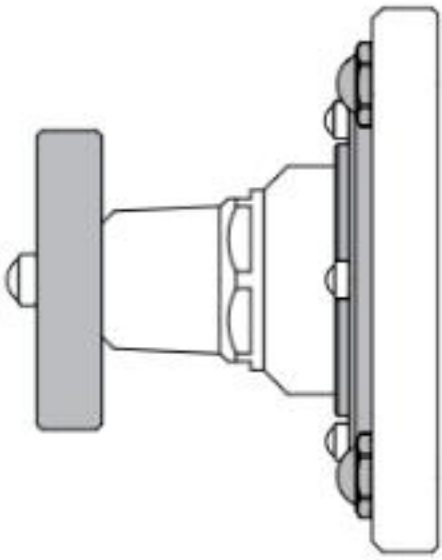
Lavatory Faucet



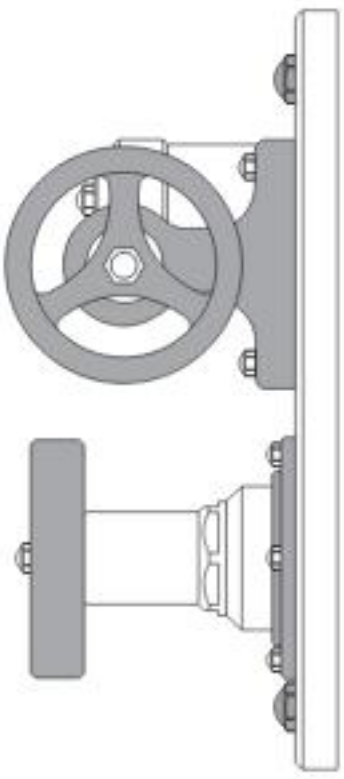
AG210-1



AG231-1



AG221-1



White = Primary finish
 Gray = Accent finish



Rainstone by Waterstone

Collection Overview
Designs By Chris Kuran



Rainstone: Rain Head

Embark on an immersive journey of opulence as a cascading symphony of water envelopes you. Experience peak tranquility and rejuvenation while bathing with Rainstone. Indulge yourself in an oasis of serenity and luxury.



MODERN: RS256-4, RS256-5, RS256-6

Rainstone: Modern & Industrial Rain Head

- Includes 6" shower arm and decorative flange.
- Ceiling mount only.
- Machined from solid brass.
- Individual waterways for a symmetrical flow.
- Immersive spray.
- 2-piece construction with replaceable nozzles.
- Self-cleaning nozzles.
- Lifetime warranty.

- Available in 3 sizes: 8", 9.5", 12".
- 2 styles: modern & industrial.
- 6 finishes: CD, CH, MB, PN, SN, UPB.



INDUSTRIAL: RS256-1, RS256-2, RS256-3



Rainstone by Waterstone

Presents:

The Paintstone

Introducing Rainstone's Paintable Ceiling Shower "Paintstone"

- Completely Paintable
- Soft Plumbed in for ultimate flexibility and easy install
- Available in Square (RS256-7) or Oval (RS256-8) Shape



WARRANTY OVERVIEW

COMPLETE CUSTOMIZATION

Waterstone offers accent finishes on all faucets utilizing any combination of standard or custom color offerings.



LIFETIME WARRANTY - MECHANICAL

- Lifetime functional warranty speaks to the quality and craftsmanship that goes into all Waterstone products

FINISH WARRANTY

LIFETIME

- Chrome - CH
- Stainless Steel - SS

7 YEAR

- Antique Brass - AB
- Antique Copper - AC
- American Bronze - AMB
- Antique Pewter - AP
- Black Nickel - BLN
- Chocolate Bronze - CHB

- Classic Bronze - CLZ
- Distressed Antique Brass - DAB
- Distressed Antique Copper - DAC
- Distressed American Bronze - DAMB
- Distressed Antique Pewter - DAP
- Graphite - GR
- Matte Antique Brass - MAB
- Matte Antique Copper - MAC
- Matte Antique Pewter - MAP
- Matte Black - MB
- Matte White - MW
- Polished Brass - PB
- Polished Copper - PC

- Polished Nickel - PN
- Satin Brass - SB
- Satin Chrome - SC
- Satin Nickel - SN

NO WARRANTY

- Antique Bronze - ABZ
- Caribbean Bronze - CB
- Black-Oiled Rubbed Bronze - ORB
- Polished Gold - PG
- Satin Gold - SG
- Tuscan Brass - TB
- Unlacquered Polished Brass - UPB

WHY UMRP?

UNILATERAL MINIMUM RETAIL PRICE

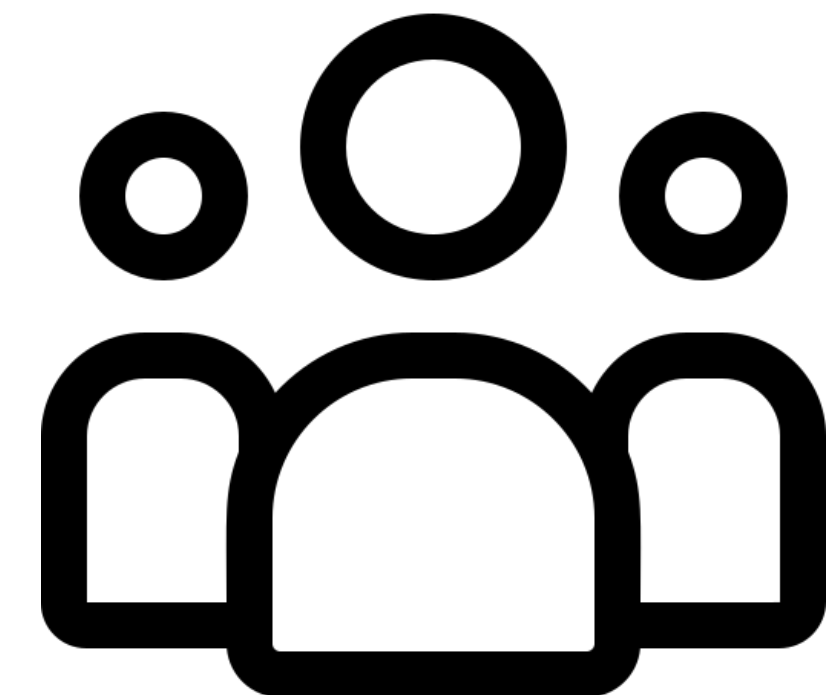
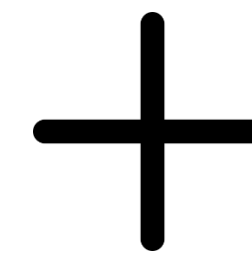
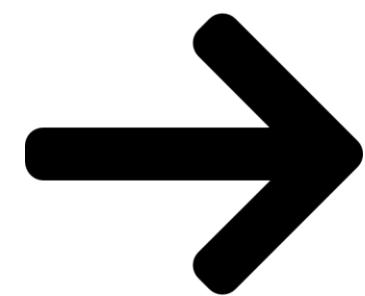


Waterstone Faucets is dedicated to providing our distributors and dealers with the highest quality, most innovative products sold through superior sales and marketing support. With this company objective in mind,

Waterstone Faucets has a Unilateral Minimum Retail Price (UMRP) Policy to maintain proper positioning of our products in the marketplace, to define guidelines for the use of Waterstone patented, trademarked and copyrighted product and materials, and to solidify and preserve a consistent value for our distributors and dealers.

SIMPLY PUT

It protects you and your customers from unfair business practices.



FACTORY TOURS

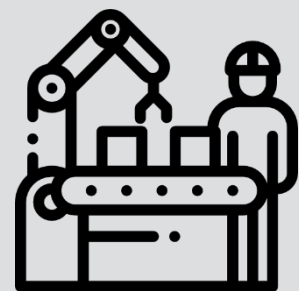


WATERSTONE FAUCETS

SUMMARY

LUXURIOUS CRAFTSMANSHIP

WATERSTONE FAUCETS UNDERGO A METICULOUS PRODUCTION PROCESS, AVERAGING 5.5-MAN HOURS PER UNIT ALL IN OUR FACTORY IN SOUTHERN CALIFORNIA. WE DEDICATED TO USING AUTHENTIC MATERIALS AND ENVIRONMENTALLY CONSCIOUS AS WE CREATE EACH MASTERPIECE.



INDUSTRY LEADING DESIGN

EACH WATERSTONE FAUCET IS DESIGNED TO MAKE A STATEMENT, WHETHER THEY PREFER SOMETHING MORE SUBTLE LIKE OUR MODERN PLPS OR A FLAGSHIP MODEL LIKE OUR ENDEAVOR WHEEL, IT'S BOUND TO BE CENTERSTAGE IN YOUR KITCHEN



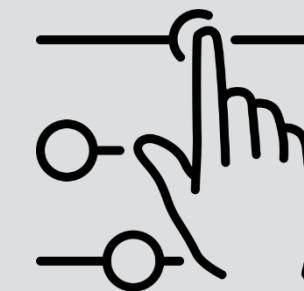
THE DEFINITION OF QUALITY AND CLASS

WATERSTONE HAS BEEN SETTING THE BAR SINCE 1999 AND HAS BEEN ESTABLISHED AS A TRUSTWORTHY, FAMILY-OWNED BRAND, THAT STANDS BEHIND THE QUALITY OF EACH FAUCET ALL WHILE DOING SO IN CLASS.



COMPLETE CUSTOMIZATION

WELCOME TO A DESIGNER'S DREAM! THE POSSIBILITIES ARE ENDLESS WHEN IT COMES TO CONFIGURATIONS AND COLOR COMBINATIONS YOU CAN CREATE WHEN SELLING AND SPECIFYING A WATERSTONE FAUCET.



LIFETIME COMMITMENT

OUR COMMITMENT TO OUR CUSTOMER IS JUST AS IMPORTANT AS THE INITIAL SALE. WE KNOW YOUR CUSTOMER HAD OPTIONS AND WE THANK THEM BY STANDING BEHIND OUR FAUCETS FOR LIFE FOR MECHANICAL COMPONENTS.



WHY WATERSTONE FAUCETS?

- *Only American Made Kitchen Faucet*
- *Lifetime Functional Warranty*
- *Solid 316 Marine Grade Stainless Steel*
- *31 Unique Finishes + Solid Stainless Steel*
- *Employ Over 200 Americans*
- *Design, Engineered and Manufactured in California*
- *Over 10 Pieces Available in a Kitchen*
- *Price Protected with our UMRP Suite*
- *Unique Designs with Many Patents*
- *25 Years of Kitchen Jewelry*



Thank You

Darcy Kuran
Western and International Sales Manager
Darcy@waterstoneco.com
760-212-7332