

4700 IN-LINE SLIDER / LIFT & SLIDE

SYSTEM

Sightlines

Frame depths 115 and 120 mm, 185 mm 3 rails

Interlock 47 mm

Polyamide Strip Length

20-25 mm

Profile Thickness

Balcony 1.5 mm

Glazing

Max. 36 mm, Min. 26 mm

Maximum Sash Dimensions

Width (L) 2500 mm, Height (H) 3000 mm

Maximum Sash Weight

Slide 280 Kg

Lift & Slide 300 Kg

Consult maximum weight and dimensions according to typologies



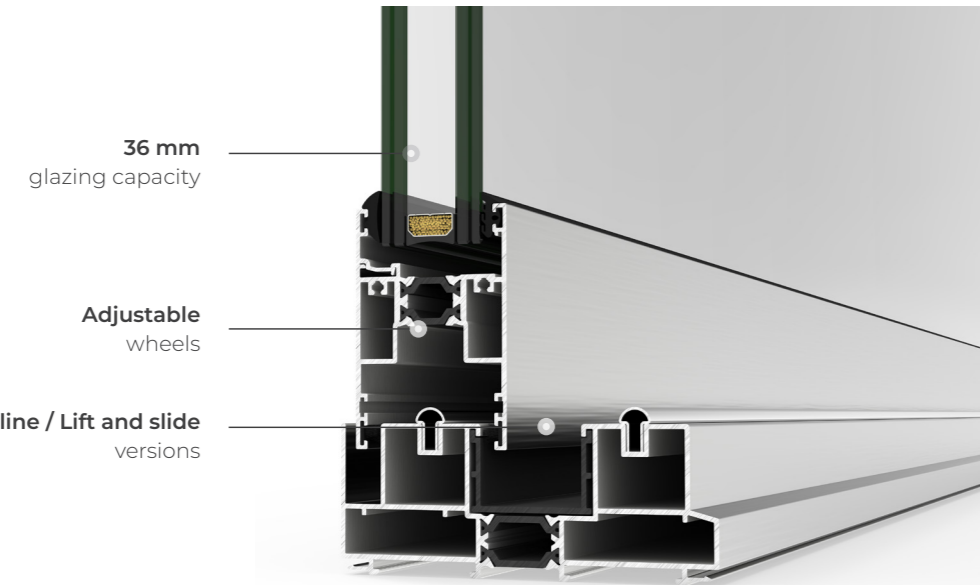
4700 IN-LINE SLIDER / LIFT & SLIDE SYSTEM



This sliding system, available both in-line slider and lift & slide versions, becomes an ideal solution for closing large spans. It presents modern aesthetics in straight lines, a reduced interlock section and large glazed surfaces that ensure bright and comfortable areas, due to its thermal and acoustic performance.



- Up to 3 meters height
- Maximized glazed surface
- 47 mm interlock
- Faster manufacturing
- High security



BFRC Rating
kWh/(m²·yr)

≥20	A ++
>10 to 20	A +
0 to <10	A
-10 to <0	B
-20 to <-10	C ✓
-30 to <-20	D
-50 to <-30	E

Double glazing

BFRC Rating
kWh/(m²·yr)

≥20	A ++
>10 to 20	A +
0 to <10	A
-10 to <0	B ✓
-20 to <-10	C
-30 to <-20	D
-50 to <-30	E

Triple glazing



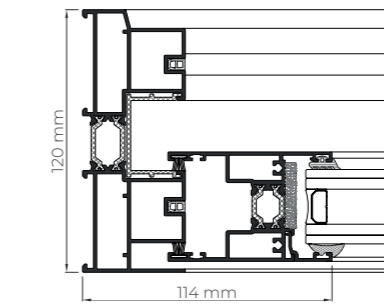
FEATURES		
U value (I)		Double glazing Uw from 1.4 (W/m ² K) Triple glazing Uw ≥ 1.2 (W/m ² K)
Acoustic insulation		Rw up to 40 dB
Air permeability		Class 3* / 4**
Water tightness		Class 7A
Wind resistance		Class C5* / C2**
Security test		Passed

Double glazing Ug=1.0 / Triple glazing Ug=0.7
(I) Two sashes 5 m x 3 m

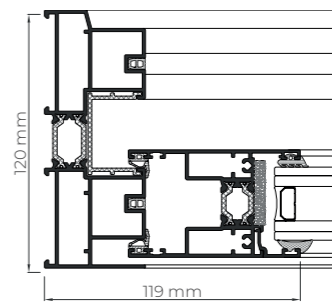


* Reference slide test 1,8 x 2,2 m / 2 sashes / ** Reference lift & slide test 4,0 x 2,50 m / 2 sashes
Security test: Reference test 2,40 x 2,40 m / 2 sashes

IN-LINE SLIDER

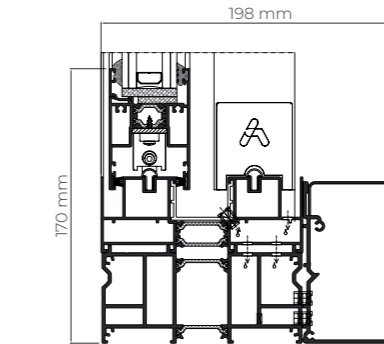


LIFT & SLIDE

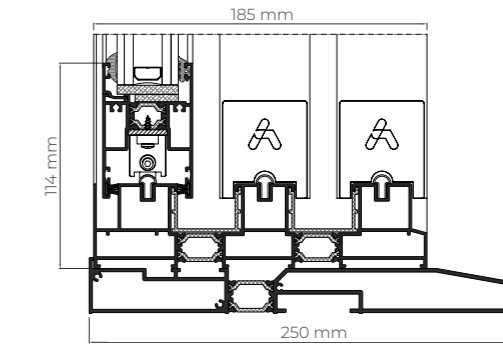


DRAINAGE SOLUTIONS

Hidden Drainage

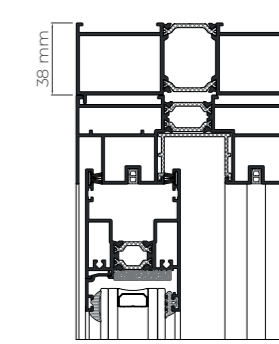


250 mm Subcill

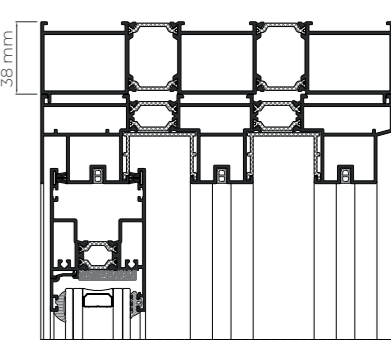


HEAD EXTENSION - 38 mm

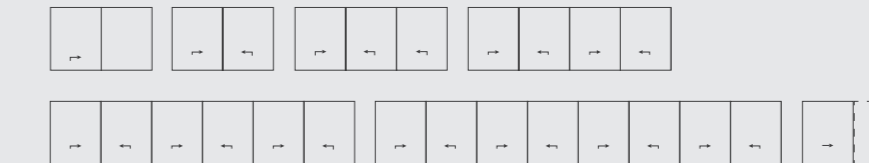
Double Track



Triple Track



OPENING POSSIBILITIES



- Sliding
- 1 rail (1 sash + 1 fixed light)
- 2, 3 & 4 rails
- In-pocket

POSSIBILITIES



ACCESSIBILITY

