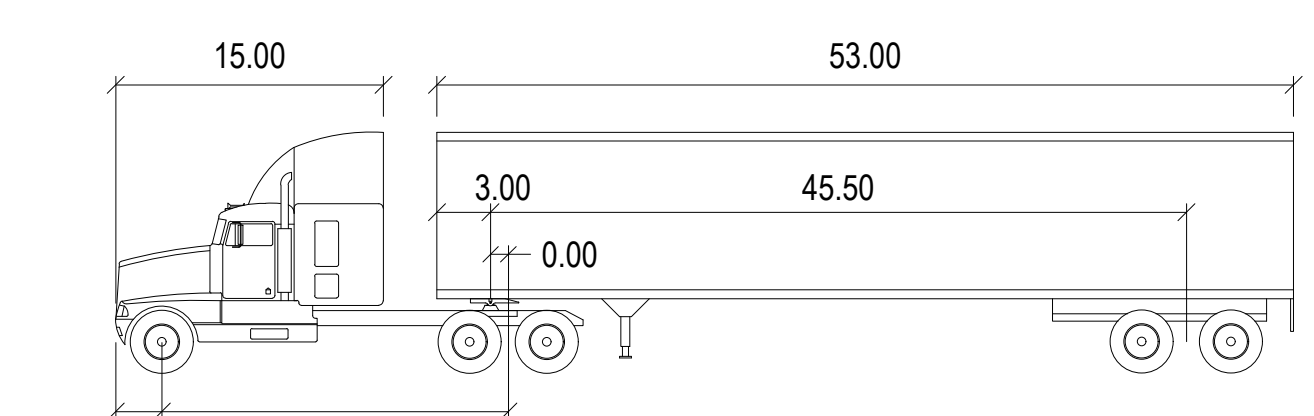
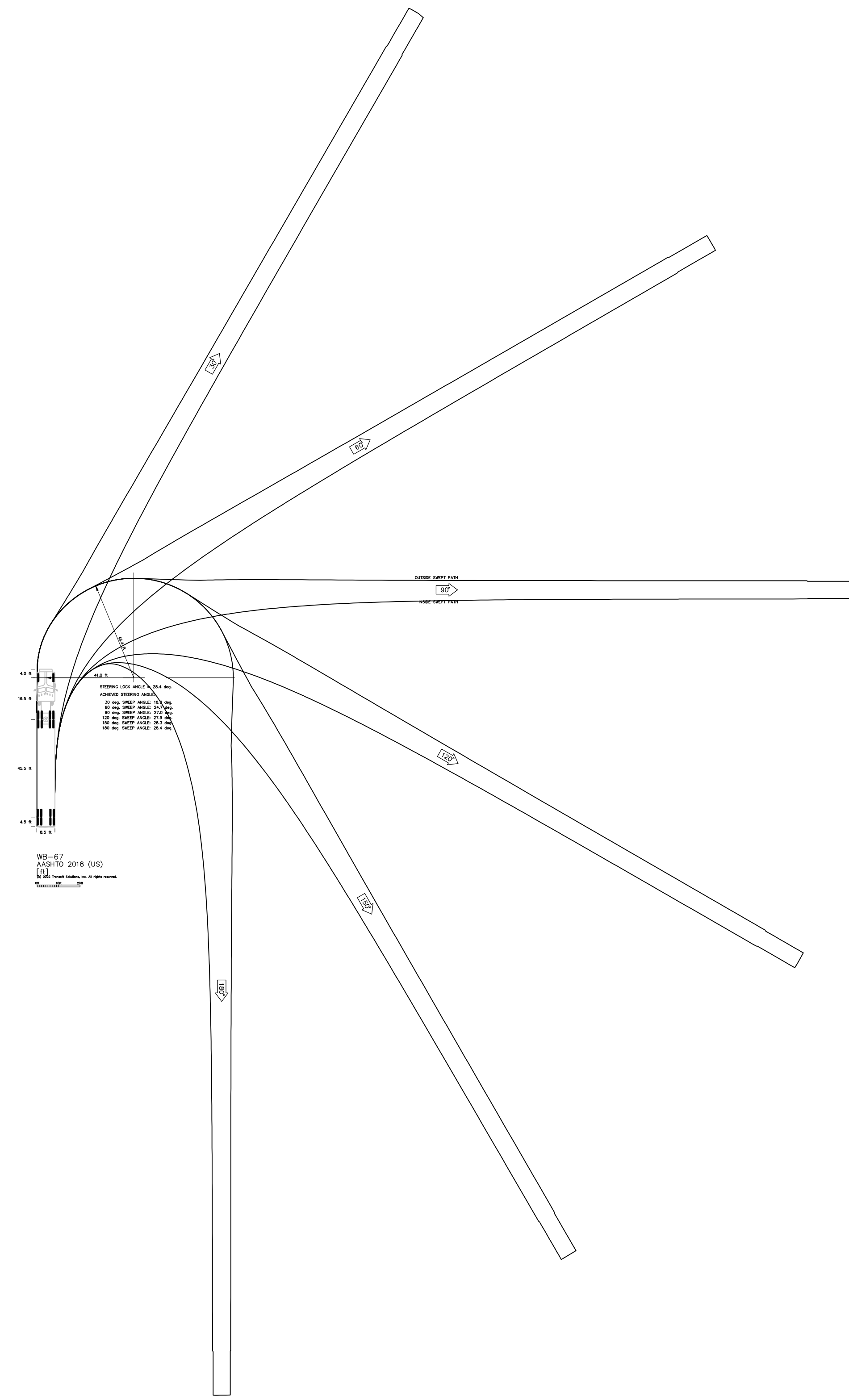




**VICTORY ROAD**  
 (33' WIDE R.O.W.)  
 (ASPHALT ROADWAY)  
 (TWO WAY TRAFFIC)  
 (POSTED SPEED LIMIT: 50 MPH)

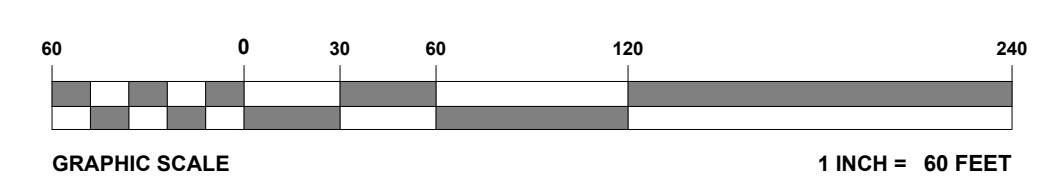
**CONRAIL - NEW JERSEY SOUTHERN BRANCH**  
 (A.K.A. RARITAN AND DELAWARE BAY R.R.)

PROP. WAREHOUSE  
 (203,802 S.F.)  
 PARKING: 73 SPACES  
 LOADING DOCKS: 25 SPACES  
 TRAILER SPACES: 68 SPACES



WB-67

	feet		feet
Tractor Width	: 8.00	Lock to Lock Time	: 6.0
Trailer Width	: 8.50	Steering Angle	: 28.4
Tractor Track	: 8.00	Articulating Angle	: 75.0
Trailer Track	: 8.50		



**BOHLER**  
 SITE CIVIL AND CONSULTING ENGINEERING  
 PROGRAM MANAGEMENT  
 LANDSCAPE ARCHITECTURE  
 SUSTAINABLE DESIGN  
 PERMITTING SERVICES  
 TRANSPORTATION SERVICES

**REVISIONS**

REV	DATE	COMMENT	DRAWN BY
1	07/26/2022	REV. PER TOWNSHIP COMMENTS	TDW TXL

**811**  
 Know what's below.  
 Call before you dig.  
 NEW JERSEY  
 YOU MUST CALL 811 BEFORE ANY EXCAVATION  
 WHETHER IT'S ON PRIVATE OR PUBLIC LAND.  
 1-800-272-1000  
 www.nj-811.org

**FOR EXHIBIT PURPOSES ONLY**

PROJECT No.: J211216  
 DRAWN BY: TH  
 CHECKED BY: TXL  
 DATE: 06/15/2022  
 CAD ID: J211216-TRKE-1A

**TRUCK TURNING EXHIBIT**

FOR

**AAVRHW PROPERTY LLC**

PROPOSED WAREHOUSE

MAP: 2.09 | BLK: 41 | LOT: 17  
 VICTORY ROAD  
 TOWNSHIP OF HOWELL  
 MONMOUTH COUNTY, NEW JERSEY

**BOHLER**  
 BOHLER ENGINEERING NJ, LLC  
 30 INDEPENDENCE BLVD., SUITE 200  
 WARREN, NJ 07059  
 Phone: (908) 665-6300  
 Fax: (908) 724-4401  
 www.BohlerEngineering.com  
 NJ CERT. OF AUTHORIZATION NO. 246A28161700 & MH000122

**T. LAM**

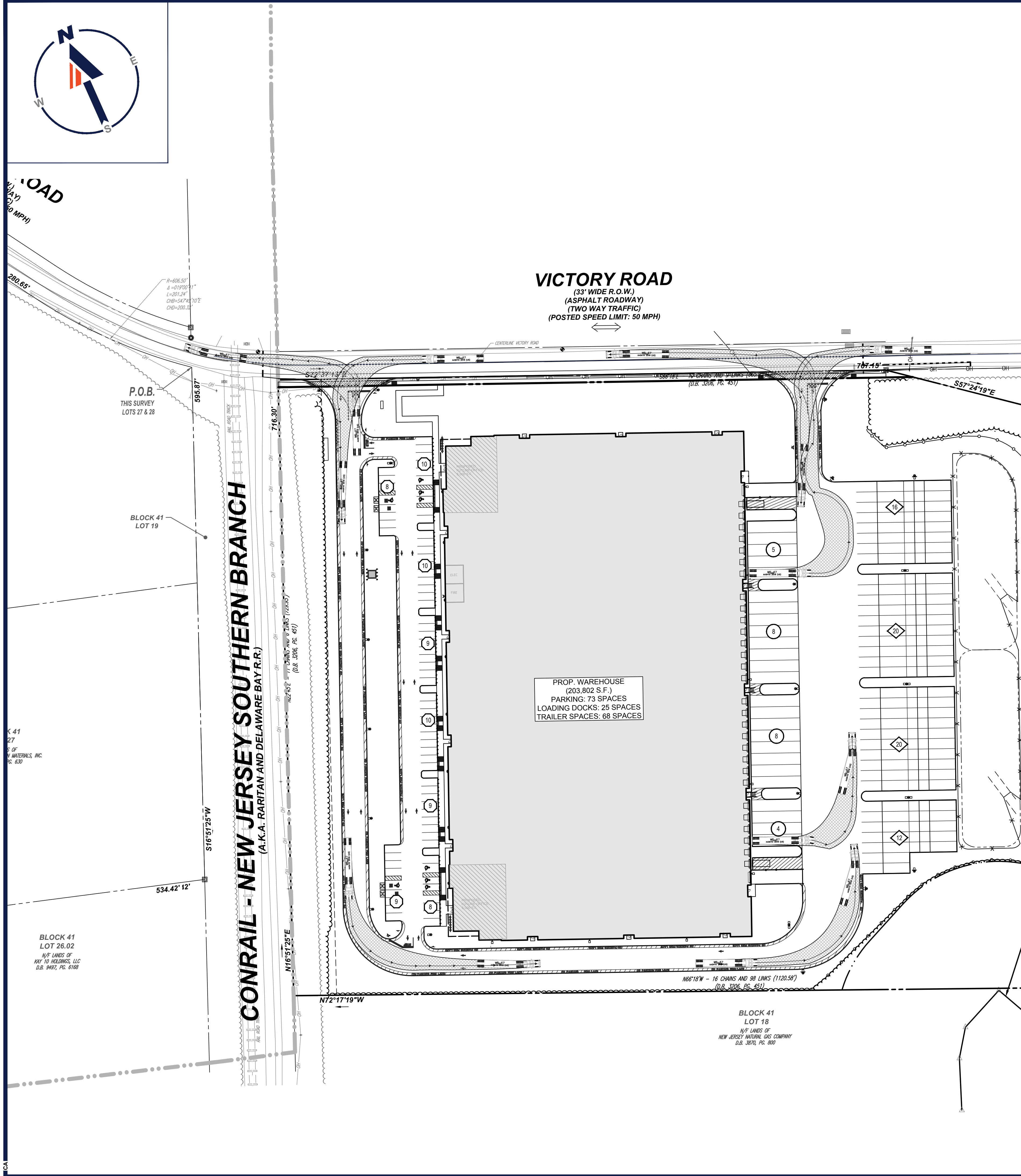
PROFESSIONAL ENGINEER  
 NEW JERSEY LICENSE No. 47862  
 NEW YORK LICENSE No. 092942  
 CONNECTICUT LICENSE No. 30024  
 PENNSYLVANIA LICENSE No. 76746

SHEET TITLE: **TRUCK TURNING EXHIBIT (WB-67)**

SHEET NUMBER: **C-01**

REVISION 1 - 07/26/2022

G:\2022\1216\CADD\DRAWINGS\EXHIBIT\TRUCK TURNING EXHIBIT\J211216-TRKE-1A-LAYOUT-C-01-WB-67

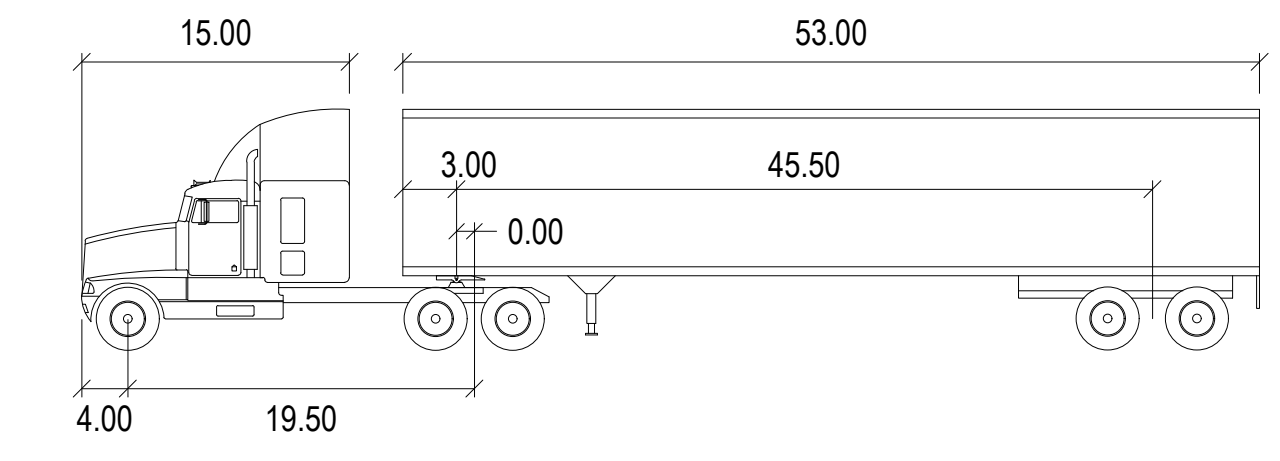
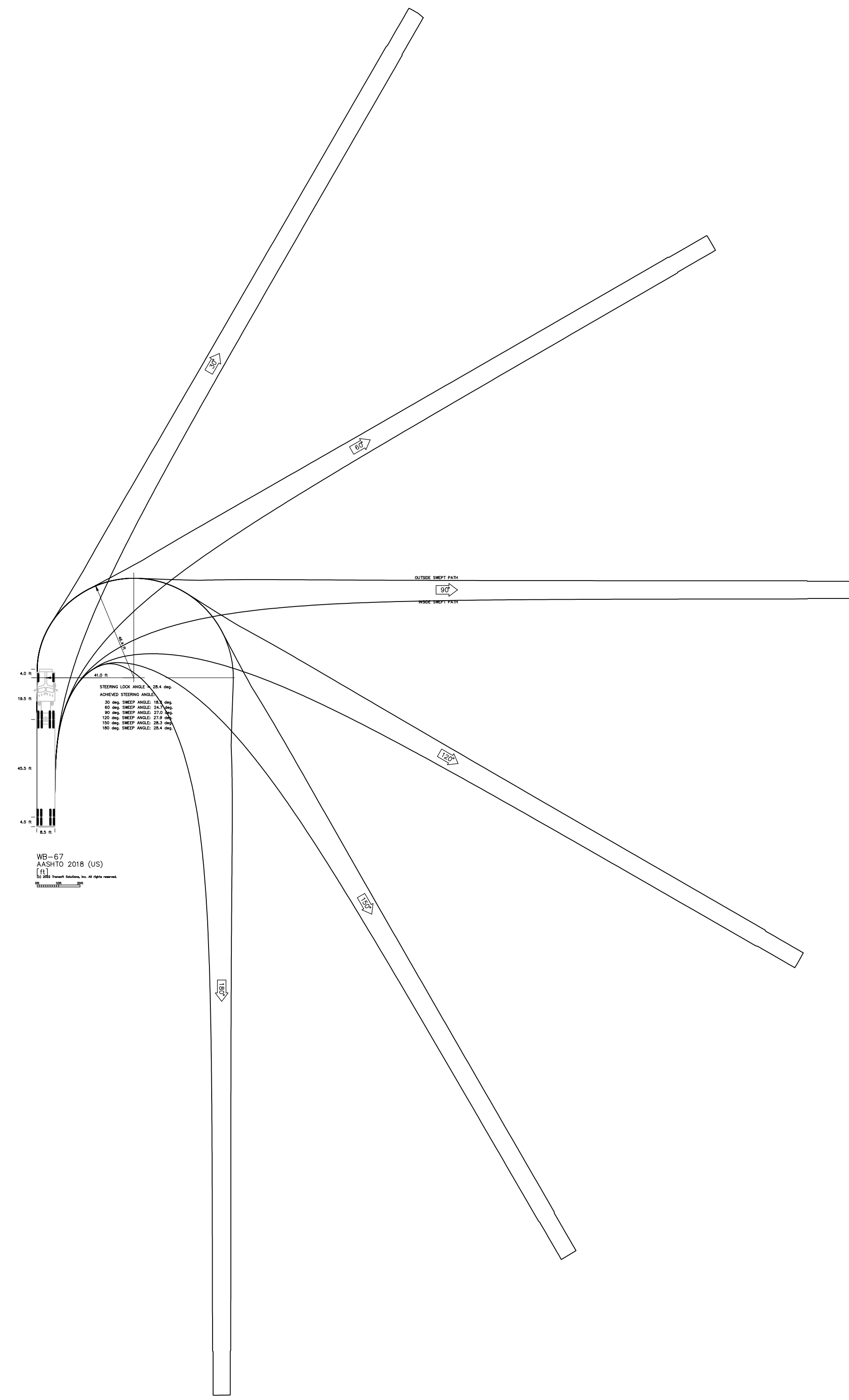


**VICTORY ROAD**  
 (33' WIDE R.O.W.)  
 (ASPHALT ROADWAY)  
 (TWO WAY TRAFFIC)  
 (POSTED SPEED LIMIT: 50 MPH)

**CONRAIL - NEW JERSEY SOUTHERN BRANCH**  
 (A.K.A. RARITAN AND DELAWARE BAY R.R.)

PROP. WAREHOUSE  
 (203,802 S.F.)  
 PARKING: 73 SPACES  
 LOADING DOCKS: 25 SPACES  
 TRAILER SPACES: 68 SPACES

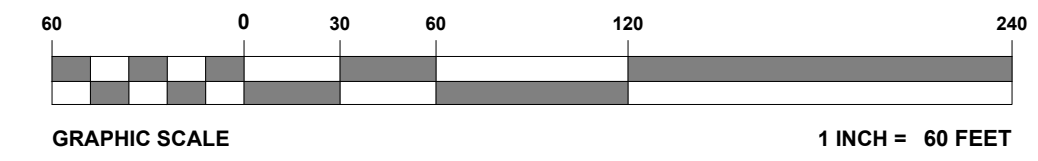
BLOCK 41  
 LOT 18  
 1/4 LANDS OF  
 NEW JERSEY NATURAL GAS COMPANY  
 D.B. 3870, P.C. 800



WB-67

Tractor Width	: 8.00	Lock to Lock Time	: 6.0
Trailer Width	: 8.50	Steering Angle	: 28.4
Tractor Track	: 8.00	Articulating Angle	: 75.0
Trailer Track	: 8.50		

feet



**BOHLER**  
 SITE CIVIL AND CONSULTING ENGINEERING  
 PROGRAM MANAGEMENT  
 LANDSCAPE ARCHITECTURE  
 SUSTAINABLE DESIGN  
 PERMITTING SERVICES  
 TRANSPORTATION SERVICES

**REVISIONS**

REV	DATE	COMMENT	CHECKED BY	DRAWN BY
1	07/26/2022	REV. PER TOWNSHIP COMMENTS	TDL	TXL

**811**  
 Know what's below.  
 Call before you dig.  
 NEW JERSEY  
 YOU MUST CALL 811 BEFORE ANY EXCAVATION  
 WHETHER IT'S ON PRIVATE OR PUBLIC LAND.  
 1-800-272-1000  
 www.nj-811.org

**FOR EXHIBIT PURPOSES ONLY**  
 THIS DRAWING IS INTENDED FOR MUNICIPAL AND/OR AGENCY REVIEW AND APPROVAL. IT IS NOT INTENDED AS A CONSTRUCTION DOCUMENT UNLESS INDICATED OTHERWISE.

PROJECT No.: J21216  
 DRAWN BY: TH  
 CHECKED BY: TXL  
 DATE: 06/15/2022  
 CAD ID: J21216-TRKE-1A

PROJECT:  
**TRUCK TURNING EXHIBIT**  
 FOR  
**AAVRHW PROPERTY LLC**  
 PROPOSED WAREHOUSE  
 MAP: 2.09 | BLK: 41 | LOT: 17  
 VICTORY ROAD  
 TOWNSHIP OF HOWELL  
 MONMOUTH COUNTY, NEW JERSEY

**BOHLER**  
 BOHLER ENGINEERING NJ, LLC  
 30 INDEPENDENCE BLVD., SUITE 200  
 WARREN, NJ 07059  
 Phone: (908) 665-6300  
 Fax: (908) 724-4401  
 www.BohlerEngineering.com  
 NJ CERT. OF AUTHORIZATION NO. 246A28191700 & MH000122

**T. LAM**  
 PROFESSIONAL ENGINEER  
 NEW JERSEY LICENSE No. 47862  
 NEW YORK LICENSE No. 092942  
 CONNECTICUT LICENSE No. 30024  
 PENNSYLVANIA LICENSE No. 76748

SHEET TITLE:  
**TRUCK TURNING EXHIBIT (WB-67)**

SHEET NUMBER:  
**C-02**

REVISION 1 - 07/26/2022

G:\032\1216\CADD\DRAWINGS\EXHIBIT\TRUCK TURNING EXHIBIT\J21216-TRKE-1A-LAYOUT1-C-02-WB-67

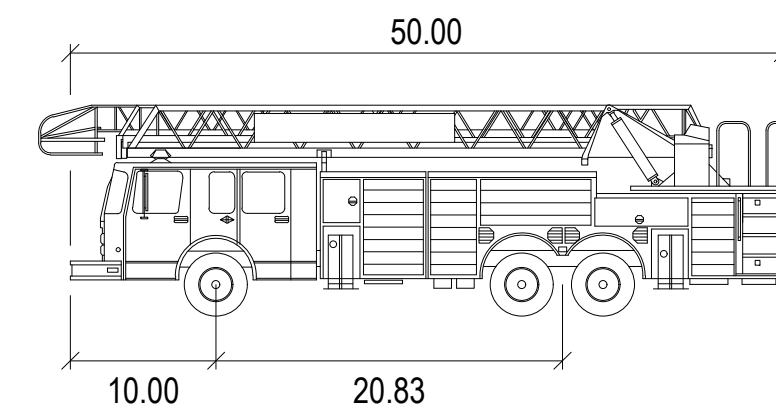
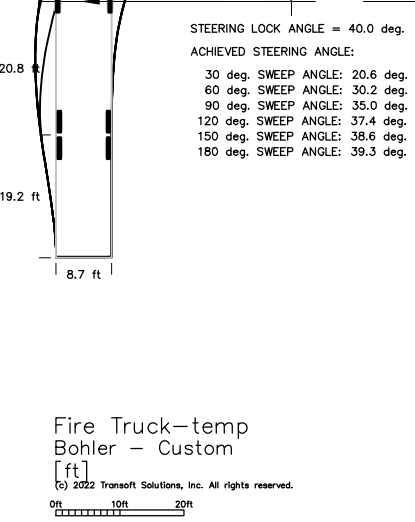


**VICTORY ROAD**  
 (33' WIDE R.O.W.)  
 (ASPHALT ROADWAY)  
 (TWO WAY TRAFFIC)  
 (POSTED SPEED LIMIT: 50 MPH)

**CONRAIL - NEW JERSEY SOUTHERN BRANCH**  
 (A.K.A. RARITAN AND DELAWARE BAY R.R.)

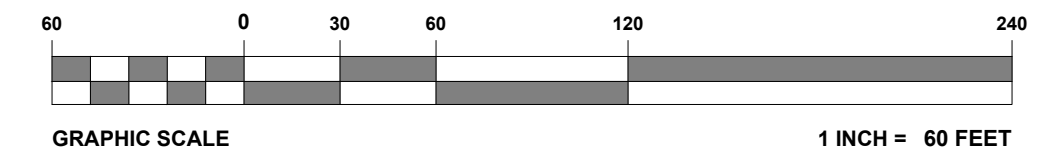
PROP. WAREHOUSE  
 (203,802 S.F.)  
 PARKING: 73 SPACES  
 LOADING DOCKS: 25 SPACES  
 TRAILER SPACES: 68 SPACES

BLOCK 41  
 LOT 18  
 N/F LANDS OF  
 NEW JERSEY NATURAL GAS COMPANY  
 D.B. 3870, P.C. 800



Fire Truck-temp

	feet
Width	: 8.70
Track	: 9.00
Lock to Lock Time	: 6.0
Steering Angle	: 40.0



**BOHLER**  
 SITE CIVIL AND CONSULTING ENGINEERING  
 PROGRAM MANAGEMENT  
 LANDSCAPE ARCHITECTURE  
 SUSTAINABLE DESIGN  
 PERMITTING SERVICES  
 TRANSPORTATION SERVICES

**REVISIONS**

REV	DATE	COMMENT	CHECKED BY	DRAWN BY
1	07/26/2022	REV. PER TOWNSHIP COMMENTS	TXL	TDW

**811**  
 Know what's below.  
 Call before you dig.  
 NEW JERSEY  
 YOU MUST CALL 811 BEFORE ANY EXCAVATION  
 WHETHER IT'S ON PRIVATE OR PUBLIC LAND.  
 1-800-272-1000  
 www.nj-811.org

**FOR EXHIBIT PURPOSES ONLY**  
 THIS DRAWING IS INTENDED FOR MUNICIPAL AND/OR AGENCY REVIEW AND APPROVAL. IT IS NOT INTENDED AS A CONSTRUCTION DOCUMENT UNLESS INDICATED OTHERWISE.  
 PROJECT NO.: J211216  
 DRAWN BY: TH  
 CHECKED BY: TXL  
 DATE: 06/15/2022  
 CAD ID: J211216-TRKE-1A

**TRUCK TURNING EXHIBIT**  
 FOR  
**AAVRHW PROPERTY LLC**  
 PROPOSED WAREHOUSE  
 MAP: 2.09 | BLK: 41 | LOT: 17  
 VICTORY ROAD  
 TOWNSHIP OF HOWELL  
 MONMOUTH COUNTY, NEW JERSEY

**BOHLER**  
 BOHLER ENGINEERING NJ, LLC  
 30 INDEPENDENCE BLVD., SUITE 200  
 WARREN, NJ 07059  
 Phone: (908) 665-6300  
 Fax: (908) 724-4401  
 www.BohlerEngineering.com  
 NJ CERT. OF AUTHORIZATION NO. 246A28161700 & M6000122

**T. LAM**  
 PROFESSIONAL ENGINEER  
 NEW JERSEY LICENSE NO. 47862  
 NEW YORK LICENSE NO. 092942  
 CONNECTICUT LICENSE NO. 30024  
 PENNSYLVANIA LICENSE NO. 76746

SHEET TITLE: **TRUCK TURNING EXHIBIT (FIRE)**  
 SHEET NUMBER: **C-03**  
 REVISION 1 - 07/26/2022

G:\032\UZ1216\CADD\DRAWINGS\EXHIBITS\TRUCK TURNING EXHIBIT\UZ1216-TRKE-1A-...LAYOUT1 - C-03 FIRE

