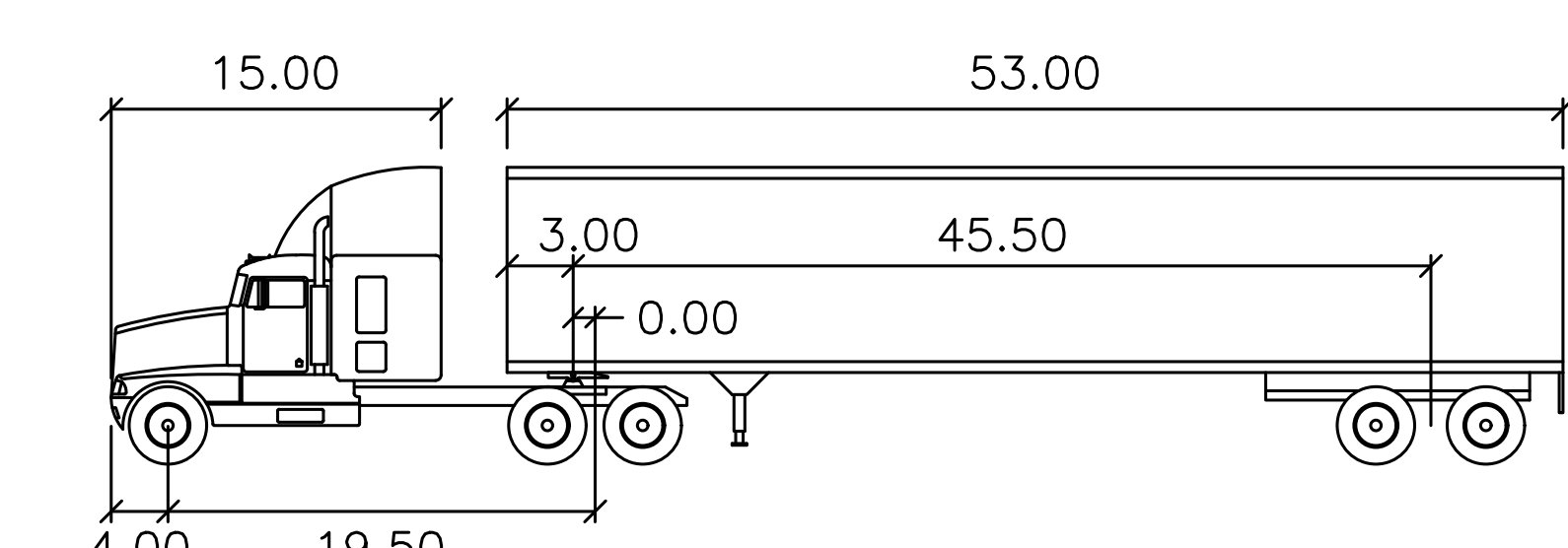
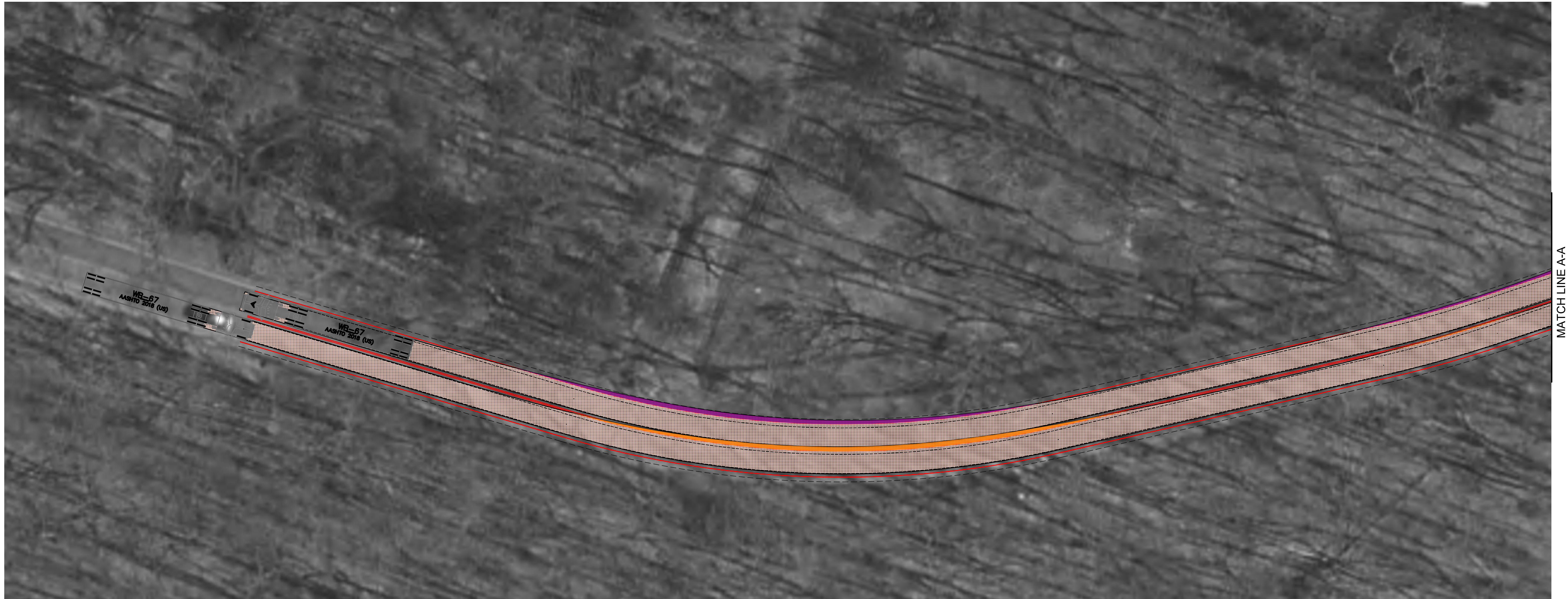


PROJECT:

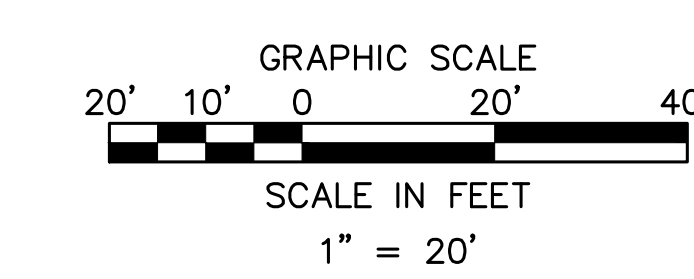
TIME: 10:03 PM

DATE: 4/18/2023



WB-67

	feet		
Tractor Width	: 8.00	Lock to Lock Time	: 6.0
Trailer Width	: 8.50	Steering Angle	: 28.4
Tractor Track	: 8.00	Articulating Angle	: 75.0
Trailer Track	: 8.50		



KLEIN TRAFFIC CONSULTING, LLC
This drawing and all information contained herein is proprietary information of KLEIN TRAFFIC CONSULTING, LLC and may not be copied or reproduced, either in whole or in part, by any method, without written permission of KLEIN TRAFFIC CONSULTING, LLC.

Date	Revision	Drawn By	Checked By

VICTORY ROAD
Township of Howell Monmouth County New Jersey

TRACTOR TRAILER TURNING
TURNING TEMPLATE (SHEET 1 OF 2)

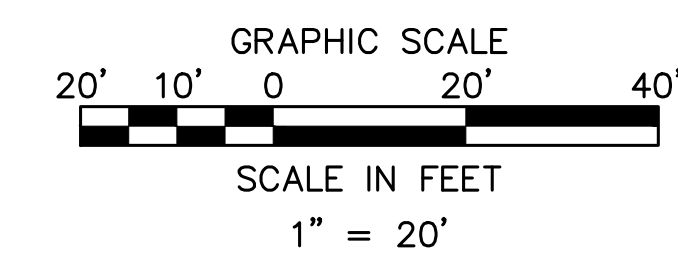
KLEIN TRAFFIC CONSULTING, LLC <small>156 WALKER ROAD WEST ORANGE, N.J. 07052 PH: 973-885-3464 CERT. OF AUTH. # 24GA28239000</small>	<i>Lee D. Klein</i> LEE D. KLEIN, P.E. <small>NJ PROFESSIONAL ENGINEER LICENSE NO. 24GE03710400</small>	Job #: Scale: AS SHOWN Date: 4/18/2023	Exhibit: 1A
	<small>www.kleintraffic.com</small>	Drawn By: Checked By: L.D.K.	

PROJECT:

TIME: 10:04 PM

DATE: 4/18/2023

MATCH LINE A-A



KLEIN TRAFFIC CONSULTING, LLC
This drawing and all information contained herein is proprietary information of KLEIN TRAFFIC CONSULTING, LLC and may not be copied or reproduced, either in whole or in part, by any method, without written permission of KLEIN TRAFFIC CONSULTING, LLC.

Date	Revision	Drawn By:	Checked By:

VICTORY ROAD
Township of Howell Monmouth County New Jersey

TRACTOR TRAILER TURNING
TURNING TEMPLATE (SHEET 2 OF 2)

KLEIN
TRAFFIC CONSULTING, LLC
www.kleintraffic.com
156 WALKER ROAD
WEST ORANGE, N.J. 07052
PH: 973-885-3464
CERT. OF AUTH. # 24GA28239000

Lee D. Klein
LEE D. KLEIN, P.E.
NJ PROFESSIONAL ENGINEER
LICENSE NO. 24GE03710400

Job #:
Scale: AS SHOWN
Date: 4/18/2023
Drawn By: B.A.C.
Checked By: L.D.K.
Exhibit: **1B**