



# AL3RT GPS

TRACKING AND SECURITY

BUILT BY RIDERS FOR RIDERS

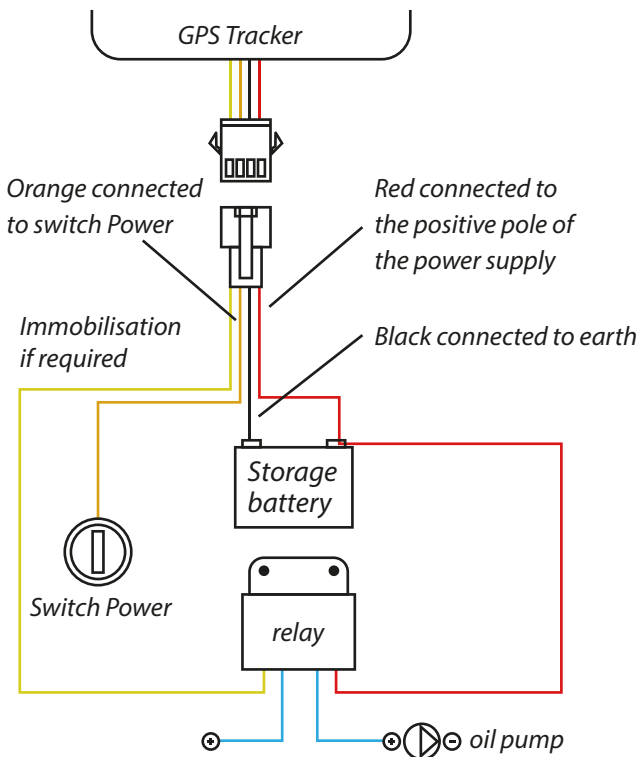
## ALK 350 GPS Tracker Installation Guide

When ready to install, turn on the battery switch on inside of cover as below and leave the device in an area with good gps reception.



Connect the harness as per the below wiring diagram, making sure that the device is not attached to the harness during installation. Once the harness is connected, you can connect the device to the harness.

## PRODUCT WIRING DIAGRAM



**TME NEXT GENERATION IN THEFT RECOVERY**  
SUPPORT@AL3RTGPS.COM - 855.687.4637