

NOTES:

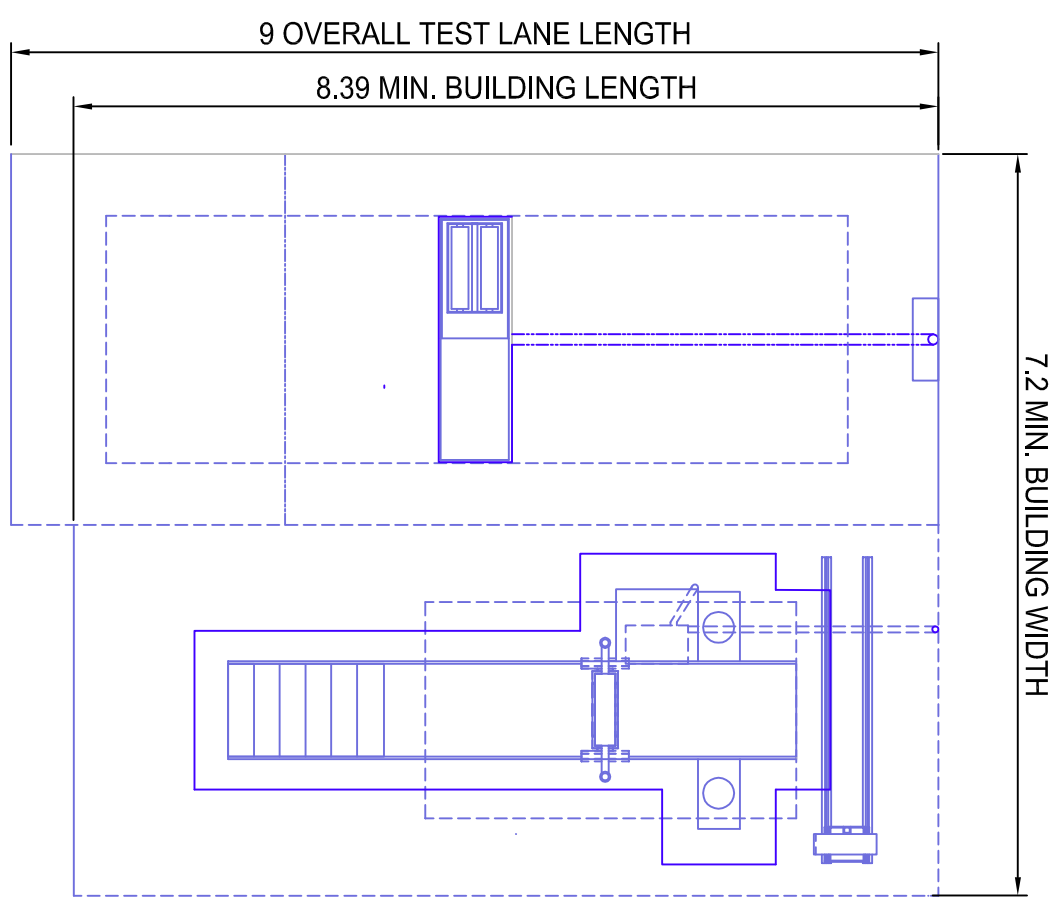
1. Do not scale drawing
2. Unless otherwise stated, all dimensions are in meters.
3. Minimum height of entrances and exits
 

Class I/II	2.0m
Class IV	2.4m
Class VII	3.2m
Class I/II	2.3m
Class IV	2.4m
Class VII	3.0m
Class I/II	3.2m
Class IV	3.6m
Class VII	4.2m
4. Minimum bay width of
 

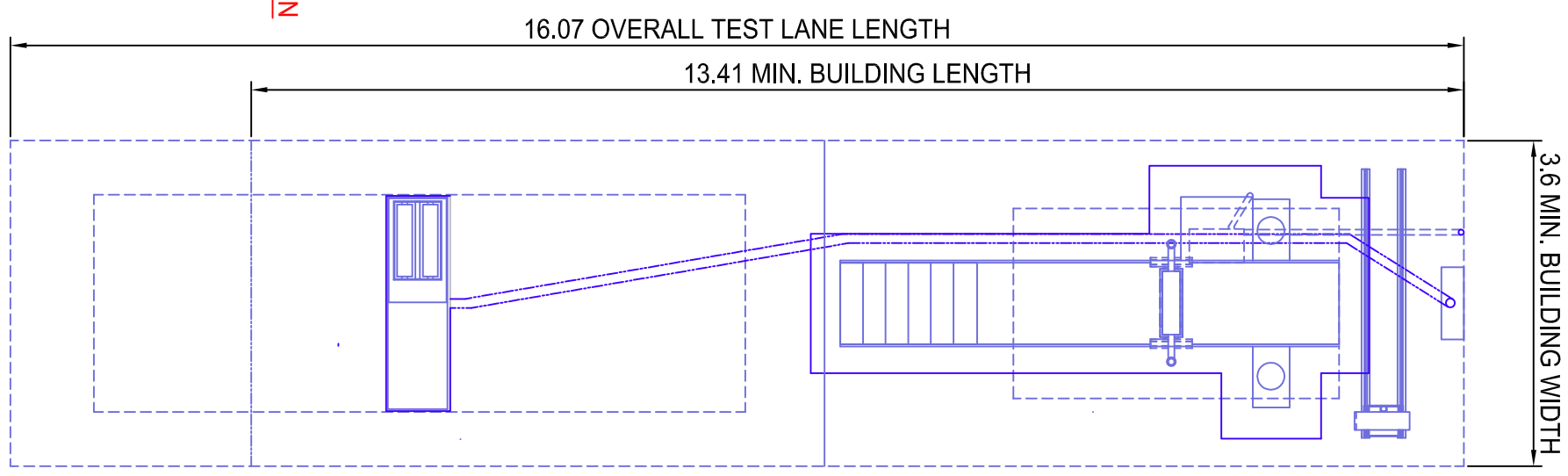
Class I/II	2.1m
Class IV	2.4m
Class VII	3.2m
Class I/II	3.2m
Class IV	3.8m
Class VII	4.8m
5. Minimum headroom over the bay
 

Class I/II	2.1m
Class IV	2.4m
Class VII	3.2m
Class I/II	3.2m
Class IV	3.8m
Class VII	4.8m
6. Minimum headroom over the lift
 

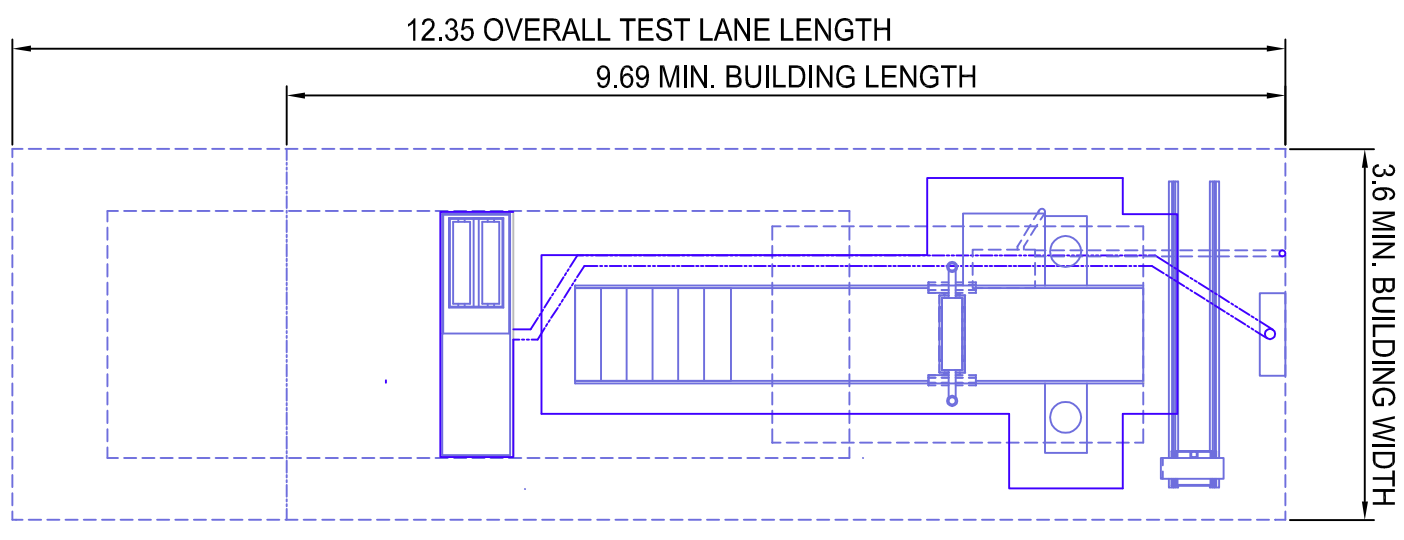
Class I/II	2.1m
Class IV	2.4m
Class VII	3.2m
Class I/II	3.2m
Class IV	3.8m
Class VII	4.8m
7. Brake tester standing area to be substantially level ( $\pm 12\text{mm}$ ). The headroom must extend 0.5m of the non drive on end of the lift, 1.0m to the drive on end of the lift, and 0.5m on each side of the outside edge of the lift platform.
8. Headlight beam tester rails to be level to  $\pm 2\text{mm}$ .
9. Headlight tester standing area to be level to  $\pm 6\text{mm}$ .
10. Minimum clearance between lift post and wall of 0.6m.
11. All dimensions shown are absolute minimums to be achieved.
12. This layout is subject to VOSA approval, and therefore no civil work should be commenced until written approval has been obtained.
13. The drawing must not be scaled for civil work. Recess drawings are available for the vehicle lift and brake tester.
14. VOSA require all MOT vehicle lifts to be load tested. Provided a suitable vehicle with a current weigh bridge certificate is available during installation, GE-TECH will carry out the necessary thorough examination and issue certification FOC.



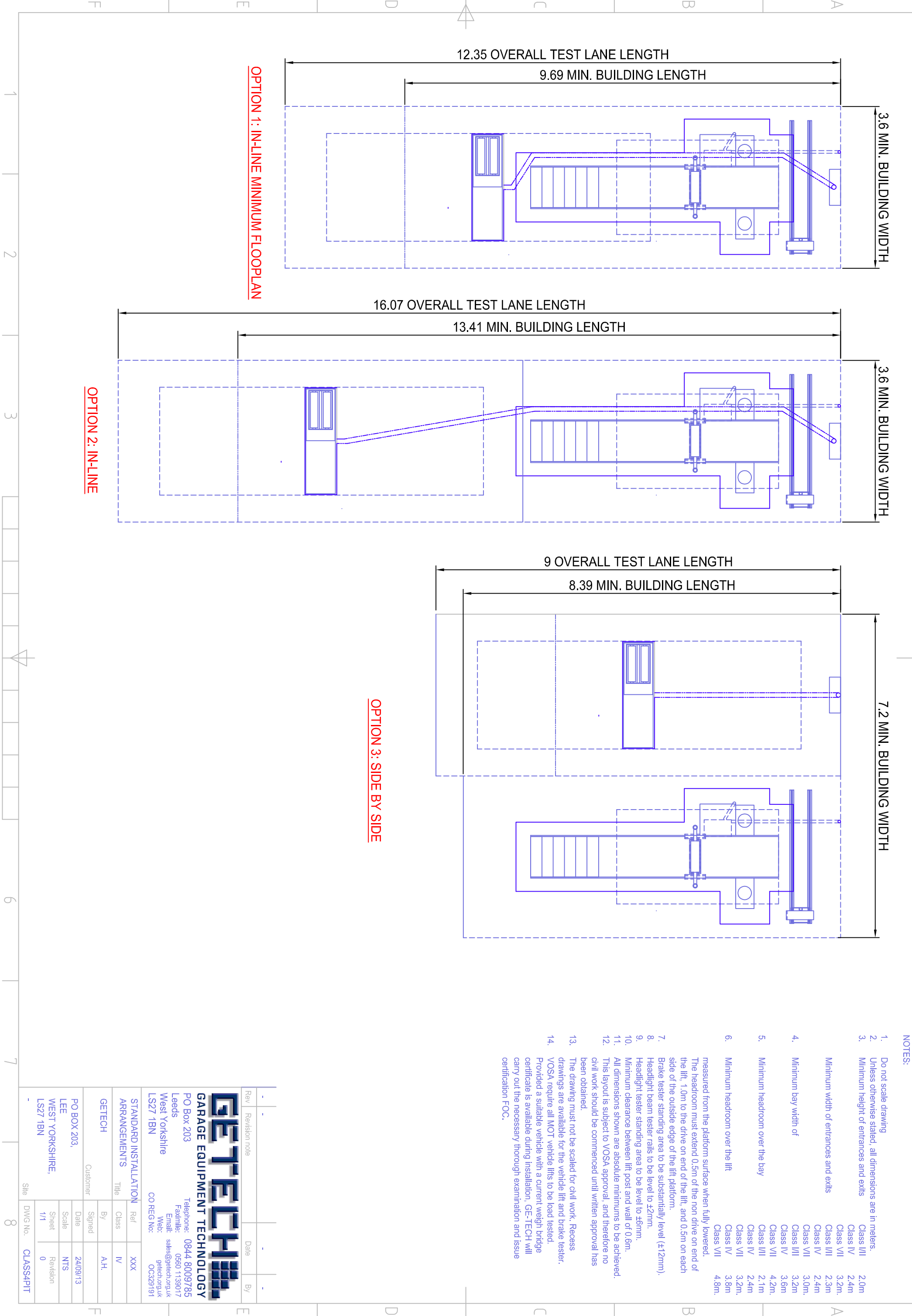
**OPTION 3: SIDE BY SIDE**



**OPTION 2: IN-LINE**



**OPTION 1: IN-LINE MINIMUM FLOORPLAN**



Rev	Revision note	Date	By
-	-	-	-

**GE-TECH**  
**GARAGE EQUIPMENT TECHNOLOGY**  
 PO Box 203  
 Leeds  
 West Yorkshire  
 LS27 1BN  
 Telephone: 0844 8009785  
 Fax: 0560 1139017  
 Email: sales@getech.org.uk  
 Website: getech.org.uk  
 CO REG No: OC329191

STANDARD INSTALLATION ARRANGEMENTS	Ref	Class	XXX
GETECH	IV	A.H.	
Customer	PO BOX 203, WEST YORKSHIRE, LS27 1BN		
By	24/09/13		
Date	NTS		
Scale	1/1		
Sheet	Revision 0		
DWG No.	CLASS4PIT		