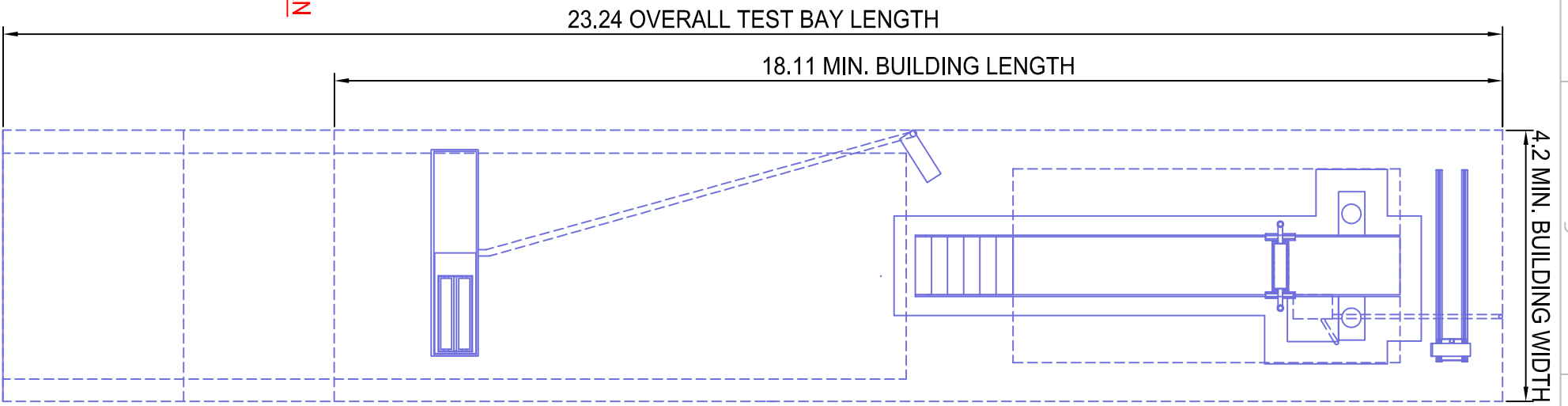
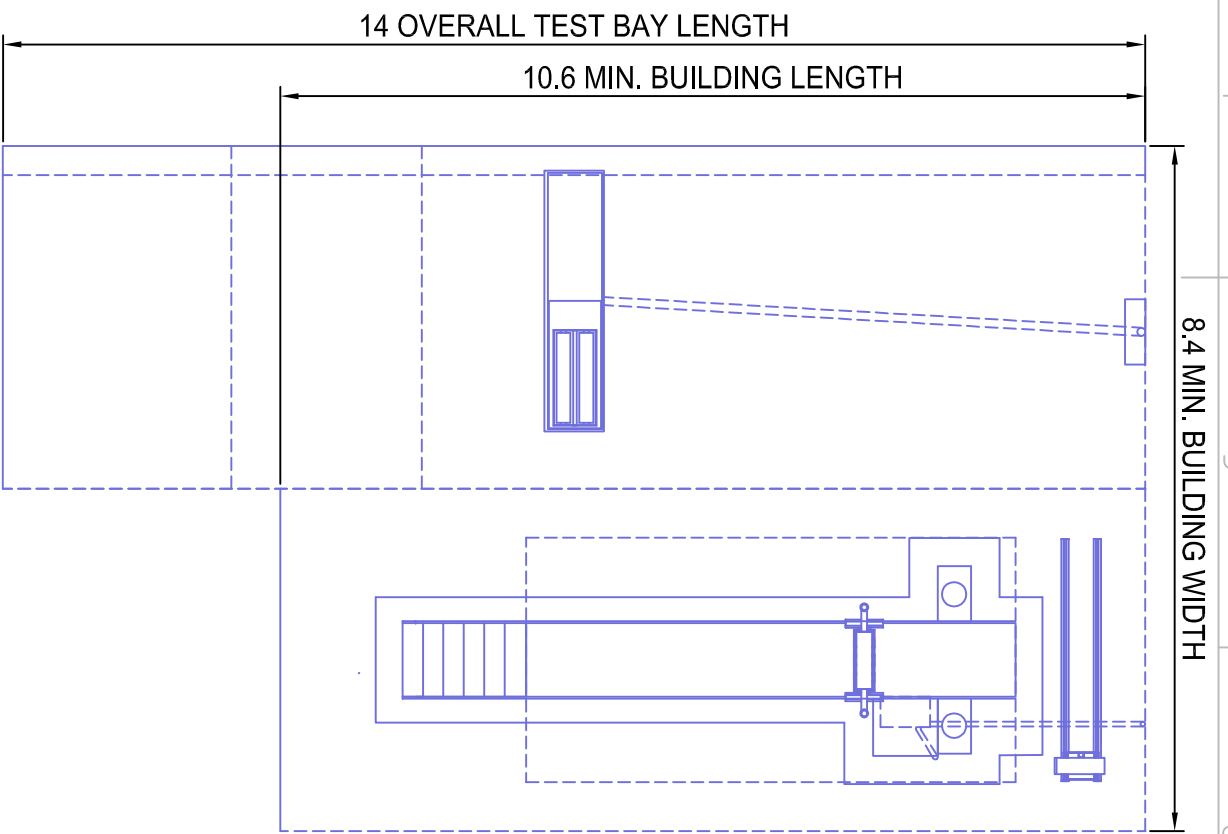


OPTION 1: IN-LINE MINIMUM FLOORPLAN



OPTION 2: IN-LINE



OPTION 3: SIDE BY SIDE

NOTES:

1. Do not scale drawing
2. Unless otherwise stated, all dimensions are in meters.
3. Minimum height of entrances and exits

Class I/II	2.0m
Class IV	2.4m
Class VII	3.2m
Class I/II	2.3m
Class IV	2.4m
Class VII	3.0m
Class I/II	3.2m
Class IV	3.6m
Class VII	4.2m
4. Minimum bay width of

Class I/II	2.4m
Class IV	2.4m
Class VII	3.0m
Class I/II	3.2m
Class IV	3.6m
Class VII	4.2m
5. Minimum headroom over the bay

Class I/II	2.1m
Class IV	2.4m
Class VII	3.2m
Class IV	3.8m
Class VII	4.8m
6. Minimum headroom over the lift

Class I/II	2.1m
Class IV	2.4m
Class VII	3.2m
Class IV	3.8m
Class VII	4.8m
7. Brake tester standing area to be substantially level ($\pm 12\text{mm}$). The headroom must extend 0.5m of the non drive on end of the lift, 1.0m to the drive on end of the lift, and 0.5m on each side of the outside edge of the lift platform.
8. Headlight beam tester rails to be level to $\pm 2\text{mm}$.
9. Headlight tester standing area to be level to $\pm 6\text{mm}$.
10. Minimum clearance between lift post and wall of 0.6m.
11. All dimensions shown are absolute minimums to be achieved.
12. This layout is subject to VOSA approval, and therefore no civil work should be commenced until written approval has been obtained.
13. The drawing must not be scaled for civil work. Recess drawings are available for the vehicle lift and brake tester. VOSA require all MOT vehicle lifts to be load tested.
14. Provided a suitable vehicle with a current weight bridge certificate is available during installation, GE-TECH will carry out the necessary thorough examination and issue certification FOC.



PO Box 203
Leeds
West Yorkshire
LS27 1BN

Telephone: 0844 8009785
Fax: 0560 1139017
Email: sales@getech.org.uk
getech.org.uk
Web: getech.org.uk
OO REG No: OCS29191

GENERAL ARRANGEMENT DRAWINGS

Ref	XXX
Class	IV/VL/VII
By	A.H.
Signed	
Date	24/09/13
Scale	NTS
Sheet	Revision
1/1	0

Customer: PO BOX 203, LEEDS, WEST YORKSHIRE, LS27 1BN

Site: CLASS/PIT

Rev	Revision note	Date	By
-	-	-	-