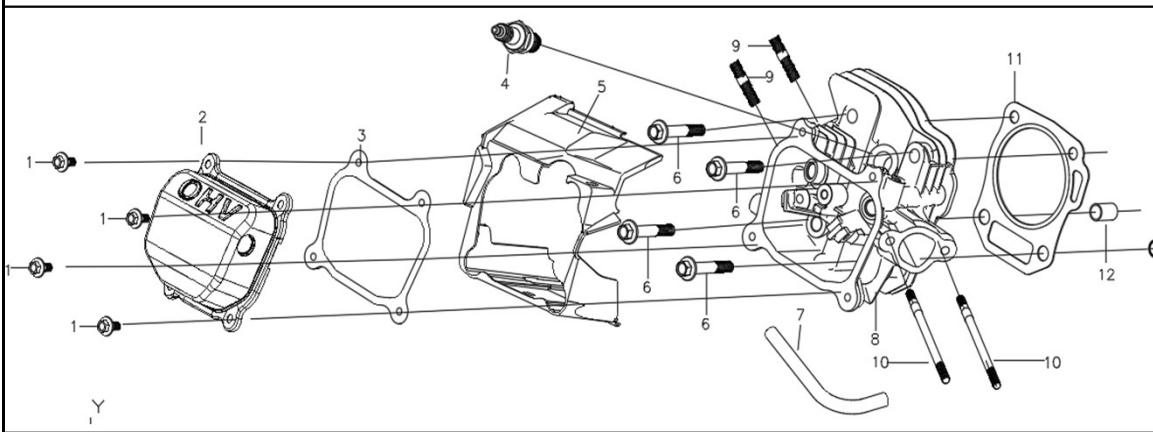


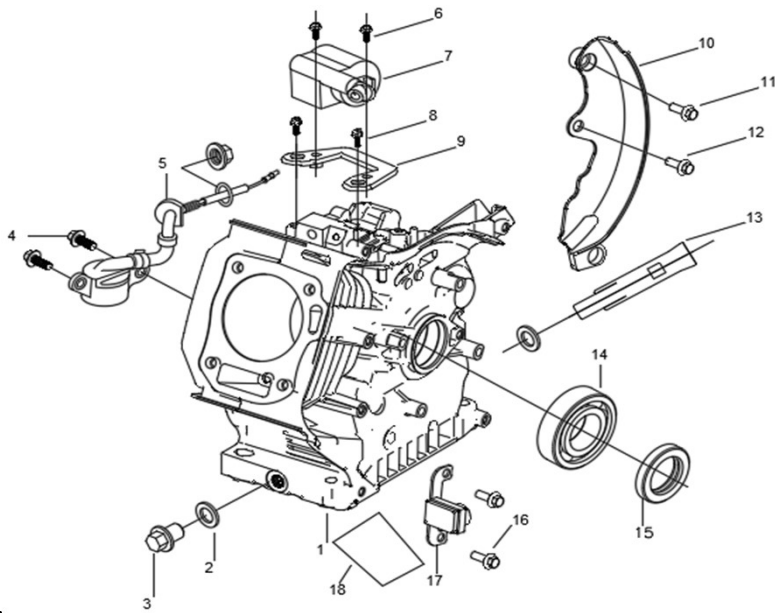
FIG.1 HEAD SUBASSEMBLY, CYLINDER / PLUG,SPARK (E04)



REF.NO.	PART NO	DESCRIPTION	UNITS	Q'TY	REMARKS
E04-1	G900106014010	BOLT	PCS	4	
E04-2	G1241E0301010	COVER SUBASSEMBLY, CYLINDER HEAD	PCS	1	
E04-3	G1204E0301000	GASKET, CYLINDER HEAD COVER	PCS	1	
E04-4	G1567E0103000	PLUG, SPARK	PCS	1	
E04-5	G1930E2102000	WIND SHIELD, CYLINDER	PCS	1	
E04-6	G91010806009A	BOLT	PCS	4	
E04-7	G1703E0105000	TUBE, BREATHER	PCS	1	
E04-8	G1214E0301000	HEAD SUBASSEMBLY, CYLINDER	PCS	1	
E04-9	G910308034010	STUD	PCS	2	
E04-10	G900306092010	STUD	PCS	2	
E04-11	G1230E0102000	GASKET, CYLINDER HEAD	PCS	1	
E04-12	G905110014000	PIN	PCS	2	

HKG 4000i

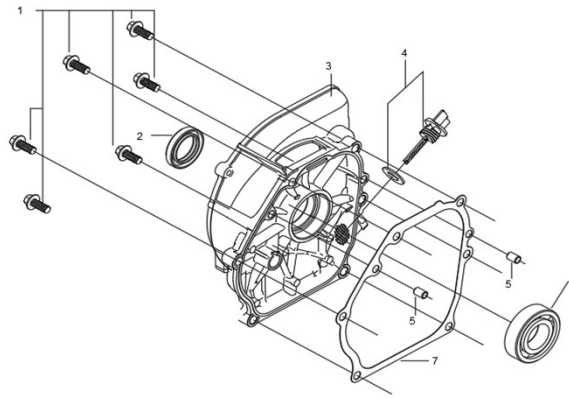
FIG.2 CRANKCASE. / GEAR ASSY, GOVERNOR. (E17)



REF.NO.	PART NO	DESCRIPTION	UNITS	Q'TY	REMARKS
E17-1	G1131E2101000	CRANKCASE SUBASSEMBLY.	PCS	1	
E17-2	G9041E0101000	FLAT WASHER	PCS	2	
E17-3	G910110015010	BOLT	PCS	1	
E17-4	G900106014010	BOLT	PCS	2	
E17-5	G1536E0301000	OIL SENSOR	PCS	1	
E17-6	G900105020010	BOLT	PCS	2	
E17-7	G1506E2101000	IGNITION COILS	PCS	1	
E17-8	G900108016010	BOLT	PCS	2	
E17-9	G1515E2101000	COIL SUPPORT, IGNITION	PCS	1	
E17-10	G1932E2101H20	REAR SHIELD	PCS	1	
E17-11	G900106020010	BOLT	PCS	1	
E17-12	G900106016010	BOLT	PCS	1	
E17-13	G9063E2101000	OIL DRAIN PIPE	PCS	1	
E17-14	G905462056000	BEARING	PCS	1	
E17-15	G9065E0101000	OIL-SEAL	PCS	1	
E17-16	G900106012010	BOLT	PCS	2	
E17-17	G1508E2101000	TRIGGER ,ASSY	PCS	1	
E17-18	G1805E2111000	INSULATION	PCS	1	

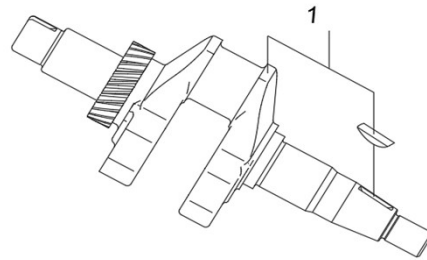
HKG 4000i

FIG.3 COVER SUBASSEMBLY, CRANKCASE (E01)



REF.NO.	PART NO	DESCRIPTION	UNITS	Q'TY	REMARKS
E01-1	G900108032010	BOLT	PCS	6	
E01-2	G9065E0101000	OIL-SEAL	PCS	1	
E01-3	G1141E2101000	COVER, CRANKCASE	PCS	1	
E01-4	G1501E0101110	OIL DIPSTICK	PCS	1	
E01-5	G905108012000	PIN	PCS	2	
E01-6	G905462056000	BEARING	PCS	1	
E01-7	G1101E0301000	GASKET, CRANKCASE	PCS	1	

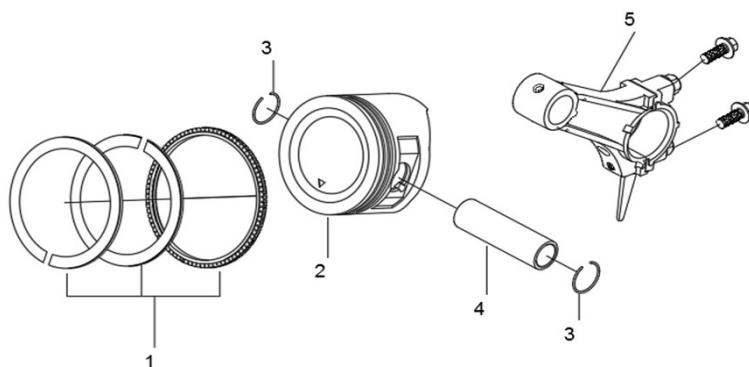
FIG.4 CRANKSHAFT CONNETING (E03)



REF.NO.	PART NO	DESCRIPTION	UNITS	Q'TY	REMARKS
E03-1	G1330E2102000	CRANKSHAFT ASSY.	PCS	1	

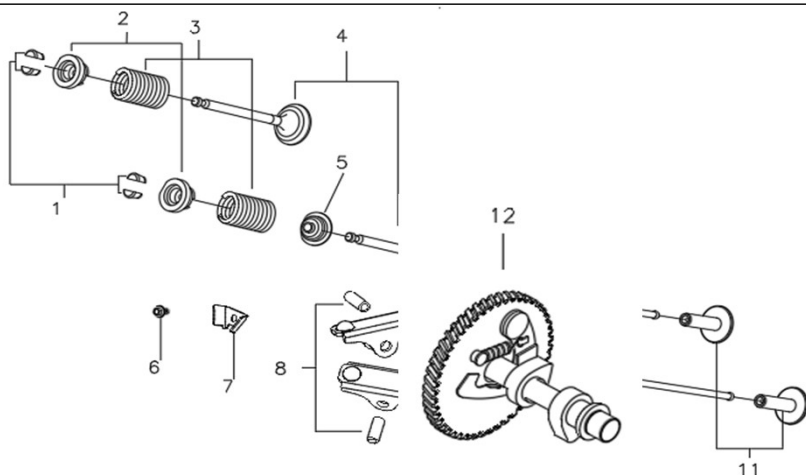
HKG 4000i

FIG.5 RING SET,OIL / ROD,CRANKSHAFT CONNETING (E03)



REF.NO.	PART NO	DESCRIPTION	UNITS	Q'TY	REMARKS
E03-1	G1320E0102000	PISTON RING	SETS	1	
E03-2	G1311E0302003	PISTON	PCS	1	
E03-3	G1313E0101000	CLIP, PISTON PIN	PCS	2	
E03-4	G1312E0101000	PIN, PISTON	PCS	1	
E03-5	G1301E0301000	ROD, CONNECTING	PCS	1	

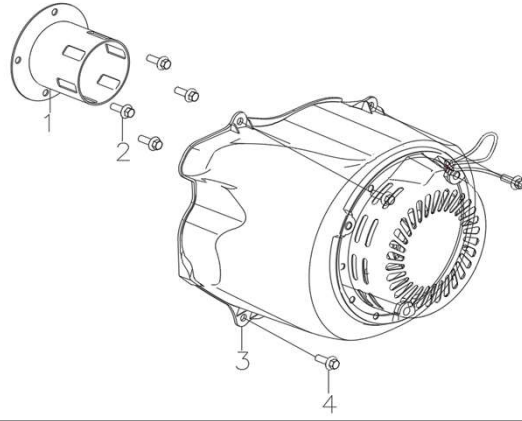
FIG.6 TRAIN,VALVE / CAMSHAFT SUBASSEMBLY (E05)



REF.NO.	PART NO	DESCRIPTION	UNITS	Q'TY	REMARKS
E05-1	G1209E0101000	VALVE LOCK CLIP	PCS	4	
E05-2	G1212E0101000	SEAT, VALVE SPRING	PCS	2	
E05-3	G1213E0101000	SPRING, VALVE	PCS	2	
E05-4	G1220E0301000	VALVE SET	PCS	1	
E05-5	G1211E0101000	GUIDE, SEAL	PCS	1	
E05-6	G900106012010	BOLT	PCS	1	
E05-7	G1434E0301000	ROCKER SHAFT LIMIT BLOCK	PCS	1	
E05-8	G1432E0301000	SHAFT, VALVE ROCKER	PCS	2	
E05-9	G1431E0301000	ROCKER SUBASSEMBLY, VALVE	PCS	2	
E05-10	G1470E0301000	LIFTER, VALVE	PCS	2	
E05-11	G1481E0101000	TAPPET, VALVE	PCS	2	
E05-12	G1420E0301000	CAMSHAFT ASSY.	PCS	1	

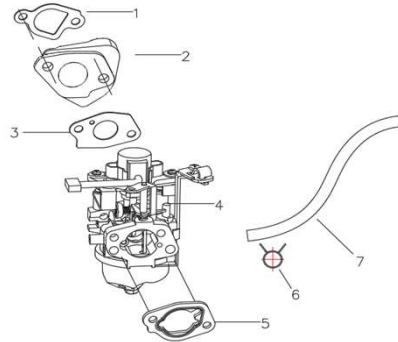
FIG.7 STARTER,RECOIL (E08)

HKG 4000i



REF.NO	PART NO	DESCRIPTION	UNITS	Q'TY	REMARKS
E08-1	G2802E2101000	STARTER CUP	PCS	1	
E08-2	G900106012010	BOLT	PCS	4	
E08-3	G2810E2101H21	STARTER ASSY, RECOIL	PCS	1	
E08-4	G900106014010	BOLT	PCS	4	

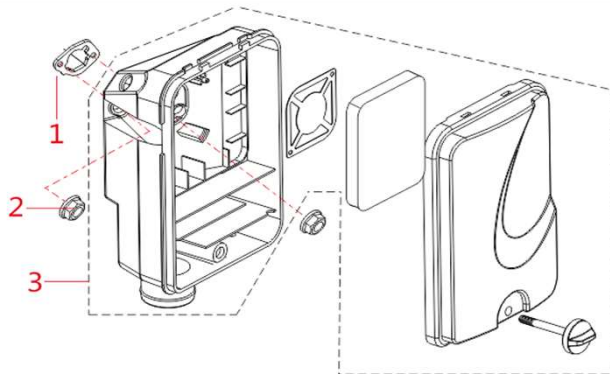
FIG.9 CARBURETOR ASSY. (E11)



REF.NO.	PART NO	DESCRIPTION	UNITS	Q'TY	REMARKS
E11-1	G1702E0301000	GASKET, CARBURETOR	PCS	1	
E11-2	G1603E2101000	PLATE, CARBURETOR INSULATOR	PCS	1	
E11-3	G1601E0101000	GASKET, CARBURETOR INSULATOR	PCS	1	
E11-4	G1610E0315000	CARBURETOR ASSY.	PCS	1	
E11-5	G1701E0101000	GASKET, AIR CLEANER	PCS	1	
E11-6	G9068E0104000	FUEL,TUBE	mm	200	
E11-7	G9067E0101010	PIPE CLAMP	PCS	1	

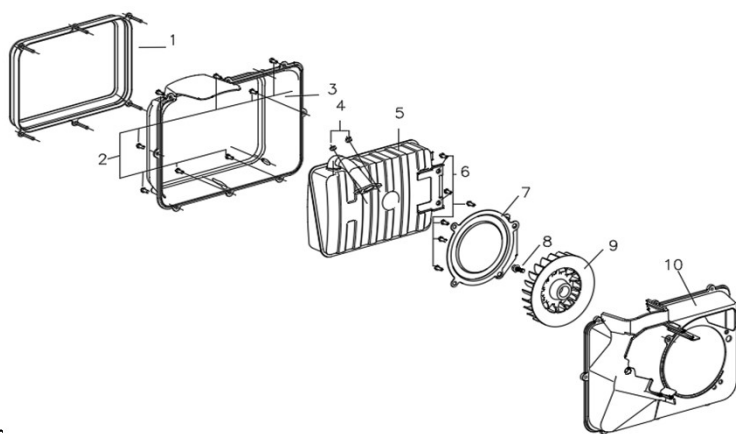
HKG 4000i

FIG.10 CLEANER, AIR (F02)



REF.NO.	PART NO	DESCRIPTION	UNITS	Q'TY	REMARKS
F02-1	G1701E0101000	GASKET, AIR CLEANER	PCS	1	
F02-2	G900406000011	BOLT	PCS	2	
F02-3	G1710E2101000	CLEANER, AIR	PCS	1	

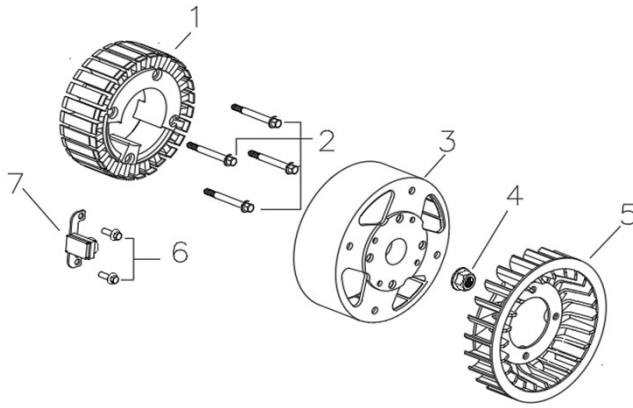
FIG.11 MUFFLER ASSY. (F04)



REF.NO.	PART NO	DESCRIPTION	UNITS	Q'TY	REMARKS
F04-1	G1826E2101000	SEAL,WIND GUIDE COVER	PCS	1	
F04-2	G901648016010	SCREW	PCS	8	
F04-3	G2811E2101000	SHROUD	PCS	1	
F04-4	G900508000010	NUT	PCS	2	
F04-5	G1810E2101000	MUFFLER ASSY.	PCS	1	
F04-6	G900106014010	BOLT	PCS	6	
F04-7	G1142E2102010	COVER	PCS	1	
F04-8	G900106016010	BOLT	PCS	1	
F04-9	G1935E2102000	IMPELLER	PCS	1	
F04-10	G1803E2101000	INSULATION,MUFFLER	PCS	1	

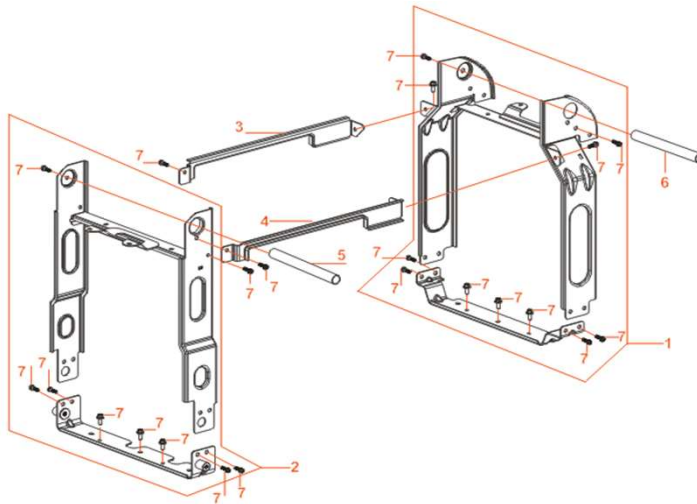
HKG 4000i

FIG.13 FLYWHEEL / IMPELLER / STARTER PULLEY / IGNITION COIL (E15)



REF.NO.	PART NO	DESCRIPTION	UNITS	Q'TY	REMARKS
E15-1	G3293E2101000	STATOR COMP.	PCS	1	
E15-2	G911306060010	BOLT	PCS	4	
E15-3	G3292E2101000	ROTOR COMP	PCS	1	
E15-4	G910214000010	BOLT	PCS	1	
E15-5	G1935E2102000	IMPELLER	PCS	1	
E15-6	G900106014010	BOLT	PCS	2	
E15-7	G1508E2101000	TRIGGER COMBINATION	PCS	1	

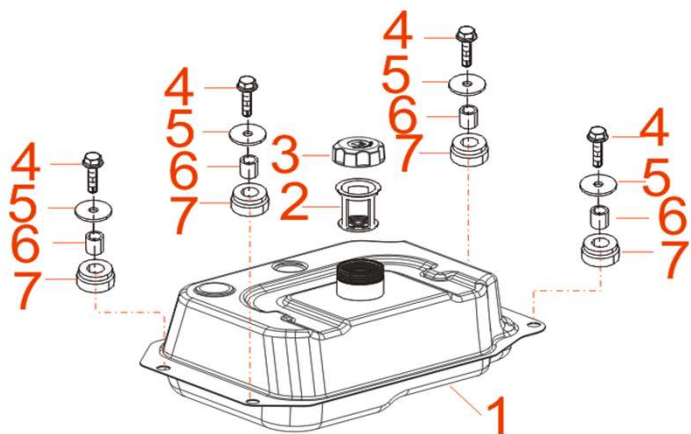
14:



REF.NO.	PART NO	DESCRIPTION	UNITS	Q'TY	REMARKS
1	G3616G1402000	RACK PARTS,REAR	PCS	1	
2	G3616G1401000	RACK PARTS,FRONT	PCS	1	
3	G1144G1401000	CONNECTION PLATE	PCS	1	
4	G1144G1402000	CONNECTION PLATE	PCS	1	
5	G3618G1401000	HANDLE	PCS	1	
6	G3618G1402000	HANDLE	PCS	1	
7	G900106012010	BOLT	PCS	22	

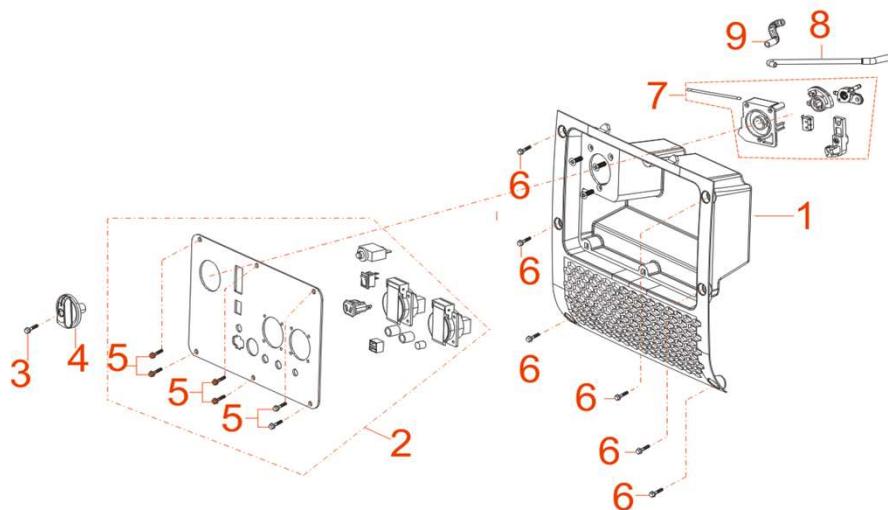
HKG 4000i

15:



REF.NO.	PART NO	DESCRIPTION	UNITS	Q'TY	REMARKS
1	G1679G1401H20	TANK, FUEL	PCS	1	
2	G1685G1401000	COVER, FUEL TANK	PCS	1	
3	G1696G1401000	FUEL FILTER	PCS	1	
4	G900106025040	BOLT	PCS	4	
5	G904106000040	FLAT WASHERS	PCS	4	
6	G9069G0101010	BUSH	PCS	4	
7	G3001G0101000	FUEL TANK SUPPORT RUBBER SLEEVE	PCS	4	

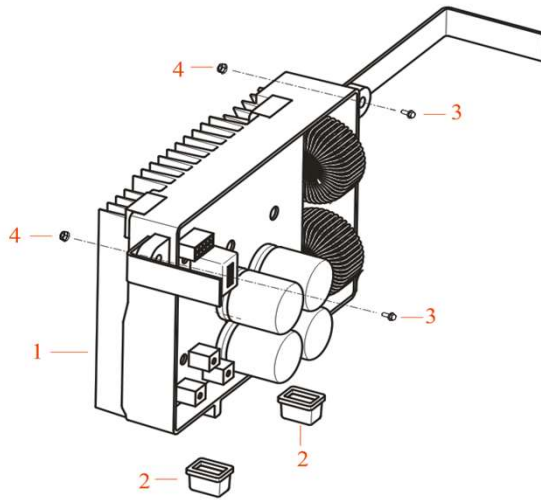
16:



REF.NO.	PART NO	DESCRIPTION	UNITS	Q'TY	REMARKS
1	G3570G1402H20	CONTROL PANEL .ASSY	PCS	1	
2	G3590G1401000	PANEL HOLDER	PCS	1	
5	G901505012040	CROSS GROOVED SMALL DISC HEAD SCREW & FLA	PCS	6	
6	G9101G1304000	BOLT	PCS	6	
7	G1521G1401000	SWITCH ASSY	PCS	1	
8	G9068G1401000	TUBE, FUEL	PCS	1	
9	G9068G1402000	TUBE, FUEL	PCS	1	

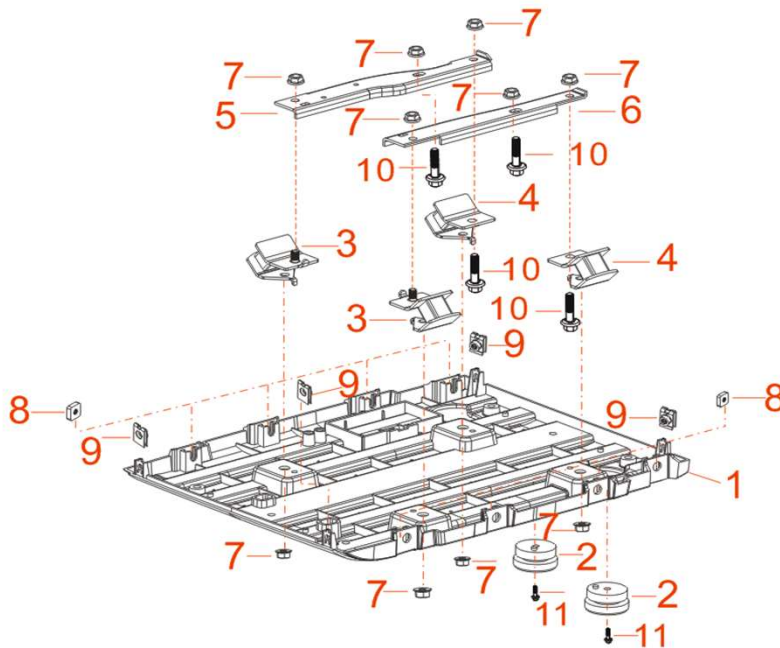
HKG 4000i

17:



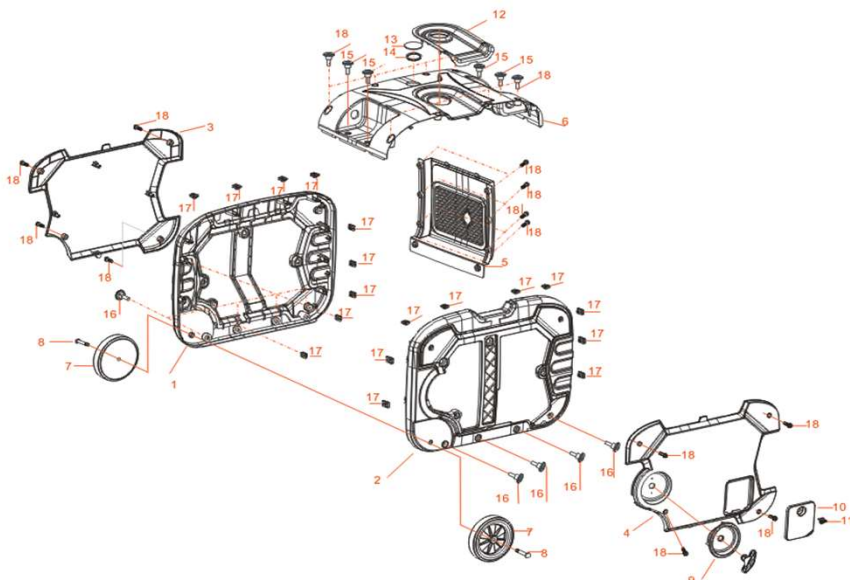
REF.NO.	PART NO	DESCRIPTION	UNITS	Q'TY	REMARKS
1	G3305G1403000	INVERTER	PCS	1	
2	G3043G1401000	RUBBER SHEATH	PCS	2	
3	G900106025010	BOLT	PCS	2	
4	G900406000041	NUT	PCS	2	

18



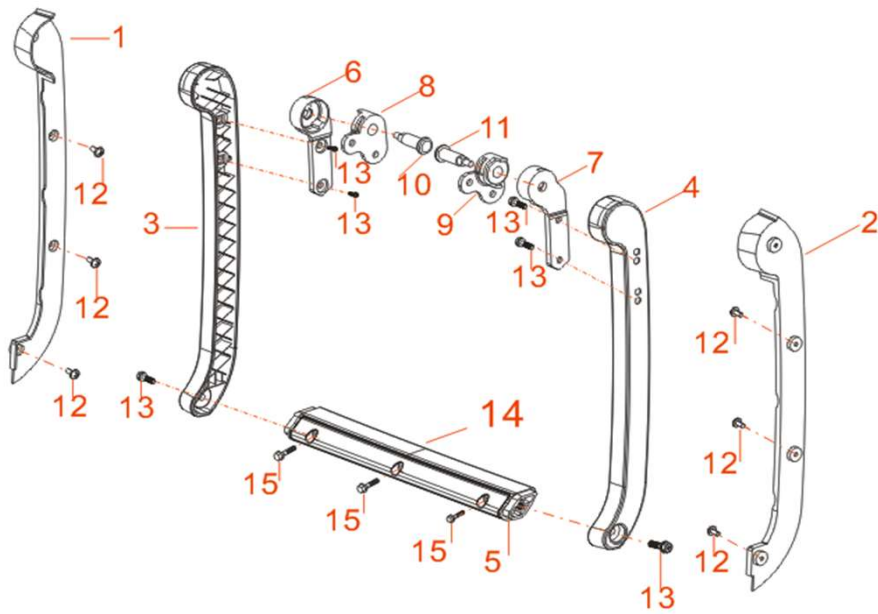
REF.NO.	PART NO	DESCRIPTION	UNITS	Q'TY	REMARKS
1	G3227G1401000	BASEPLATE	PCS	1	
2	G3613G1401000	SEAT,FRAME	PCS	2	
3	G3612G1401000	SEAT,FRAME,LEFT	PCS	2	
4	G3611G1401000	SEAT,FRAME,RIGHT	PCS	2	
5	G3641G1401000	ENGINE support_left	PCS	1	
6	G3641G1402000	ENGINE support_right	PCS	1	
7	G900408000010	Nut	PCS	10	
8	G9013G1301010	NUT	PCS	6	
9	G9014G1301010	NUT	PCS	4	
10	G900108040010	BOLT	PCS	4	
11	G900106016010	BOLT	PCS	2	

HKG 4000i



REF.NO.	PART NO	DESCRIPTION	UNITS	Q'TY	REMARKS
1	G3229G1401000	LEFT SHELL	PCS	1	
2	G3234G1401000	RIGHT SHELL	PCS	1	
3	G3240G1401110	LEFT EXTERIOR COVER	PCS	1	
4	G3246G1401110	RIGHT EXTERIOR COVER	PCS	1	
5	G3254G1401000	SILENCER SIDE COVER	PCS	1	
6	G1142G1401000	COVER,UPPPER	PCS	1	
7	G3633G1401000	FRONT WHEEL	PCS	2	
8	G3631G1401040	AXLE	PCS	2	
9	G3245G1401000	DECORATIVE BOARD_LEFT	PCS	1	
10	G1142G1402000	COVER	PCS	1	
11	G3575G1401000	KNOB	PCS	1	
12	G3215G1401000	OIL INJECTION NOZZLE RUBBER SLEEVE	PCS	1	
13	G3253G1301000	OIL-MARKED GLASS WINDOW	PCS	1	
14	G3043G1301000	RUBBER SHEATH	PCS	1	
15	G900106012010	BOLT	PCS	4	
16	G9101G1301000	BOLT	PCS	8	
17	G9014G1301010	NUT	PCS	18	
18	G9101G1304000	BOLT	PCS	28	

HKG 4000i



REF.NO.	PART NO	DESCRIPTION	UNITS	Q'TY	REMARKS
1	G3023G1401000	SHELL BAFFLE.LEFT	PCS	1	
2	G3023G1402000	SHELL BAFFLE,RIGHT	PCS	1	
3	G3116G1401000	SWING ARM_LEFT	PCS	1	
4	G3116G1402000	SWING ARM_RIGHT	PCS	1	
5	G3116G1403000	SWING BEAM_FRONT	PCS	1	
6	G9076G1401000	BAYONET LOCK	PCS	1	
7	G9076G1402000	BAYONET LOCK	PCS	1	
8	G3627G1401000	BAYONET BUCKS	PCS	1	
9	G3627G1402000	BAYONET BUCKS	PCS	1	
10	G3616G1401000	FRAME PARTS (FRONT FRAME)	PCS	1	
11	G3616G1402000	FRAME PARTS (REAR FRAME)	PCS	1	
12	G901004016010	SCREW	PCS	6	
13	G900106012010	BOLT	PCS	9	
14	G3116G1404000	SWING BEAM_REAR	PCS	1	
15	G9011G0101040	SCREW	PCS	3	

HKG 4000i