



Gas/LPG Powered

Counterbalanced Forklift

FPG25M/30M SERIES - 5000/6000lbs

Pneumatic Tires

- Better operator comfort and controllability
- Standard components for easy service and maintenance
- Enhanced environmental friendliness and increased economy

FPG25M/ 30M SERIES FEATURES & COMPARISONS

STANDARD FEATURES & COMPARISON CHART

- Automatic Transmission
- LPG/Gasoline Dual Fuel System (Impco)
- Swing out/down Propane Tank Bracket
- 4VS Control Valve
- 42" forks
- Solid Pneumatic Tire (Ideal)
- K25 Engine
- Head Lamps and Rear Lamps
- Strobe Lamp (Amber)
- Back up Alarm
- Suspension Seat/ 60" Retractable Seat Belt

Model	2 Stage	3 Stage	CASCADE Fork Positioner & Side Shifter
FPG25M-12	✓		
FPG25M-14	✓		✓
FPG25M-16		✓	
FPG25M-18		✓	✓
FPG30M-12	✓		
FPG30M-14	✓		✓
FPG30M-16		✓	
FPG30M-18		✓	✓

SERIES FEATURES & COMFORT



Wide step for easy entry, and spacious leg & foot room.



Ergonomic seat for a smoother and more comfortable drive.



Adjustable steering column according to operator's preference to reduce fatigue.



Wide view mast offers good driving vision.



Ergonomically placed foot pedals, easy to use.



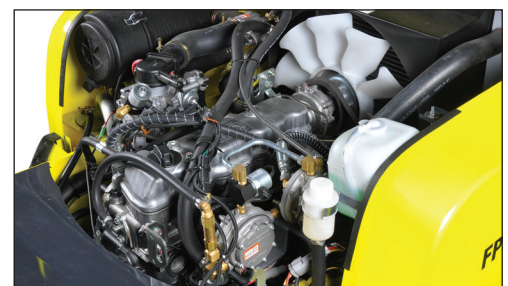
Touch toggle switch for Gasoline or LPG operation.



OPS: preventing accidents and keeping workers in the operating areas safe.



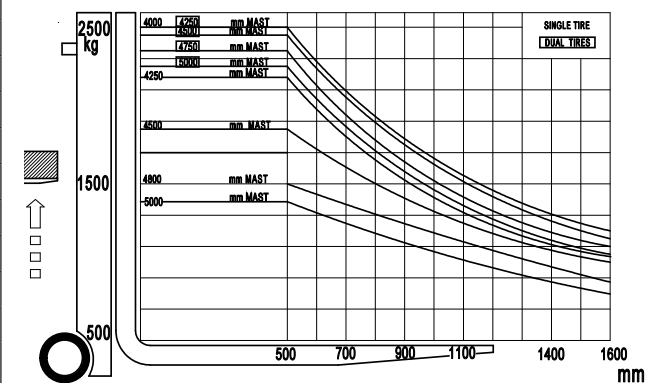
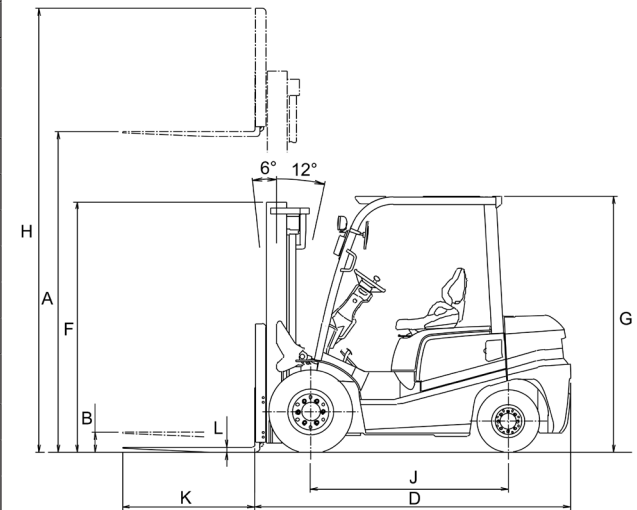
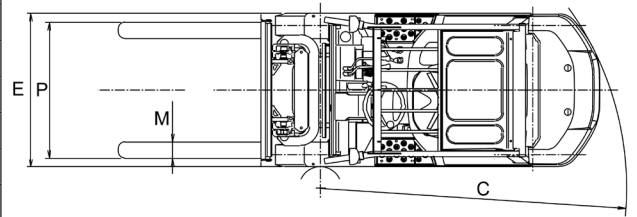
Swing Out & Down Tank Bracket



NISSAN K25 Engine

GAS/LPG POWERED FORKLIFT TRUCK FPG25M/30M SERIES (PARAMETER AND PERFORMANCE)

Characteristics	1	Manufacturer		HELMAR			
	2	Model		FPG25M Series	FPG30M Series		
	3	Load Capacity	lbs.	5,500	6,615		
	4	Load Center	Inches	19.687	19.7		
	5	Power Type		Gas/Lpg	Gas/Lpg		
	6	Wheels (X=driven)	Front / Rear	2x2	2x2		
Dimensions	7	Maximum Fork Height (A)		Inches	118.2	118.2	
	8	Free Lift Height (B)		Inches	6.304	5.91	
	9	Fork Size (K, L, M)	L × W × T	Inches	42 x 4 x 1.75	42 x 4 x 1.75	
	10	Tilt Angle	Fwd. / Bwd.	deg.	6/12	6/12	
	11	Length to fork face (D)		Inches	99.682	106.57	
	12	Overall Width (E)		Inches	45.31	48.26	
	13	Mast Height Fork Lowered(F)		Inches	78.603	81.75	
	14	Mast Height Fork raised (With Backrest) (H)	2 Stage	Inches	137.80	137.80	
	14		3 Stage		185.00	185.00	
	15	Overhead Guard Height(G)		Inches	83.53	84.31	
	16	Operator's Seat Height		Inches	41.15	41.15	
	17	Turning Radius(C)		Inches	88.26	96.33	
	18	Load Distance (Centerline of front axle to front face of forks)		Inches	17.73	18.91	
19	Basic Right Angle Stacking Aisle Width (Add load length and clearance)		Inches	105.99	115.24		
Performance	20	Speeds	Travel, Max.	Full Load	mph	10.55	11.18
	No Load			mph	11.8	12.11	
	Lifting		Full Load	inches/sec	21.67	17.73	
			No Load	inches/sec	22.85	19.7	
	Lowering	Full Load	inches/sec	22.85	22.85		
		No Load	inches/sec	24.5	24.5		
	23	Max. Gradeability	Full Load	%	10	10	
		Total Weight (with the standard battery)		lbs.	7,894	9,481.50	
	24	Weight Distribution	Full Load	Front	lbs.	11,840.85	14,222
	25			Rear	lbs.	1,565.55	1,874.25
26	No Load		Front	lbs.	3,064.95	3,594.00	
26			Rear	lbs.	4,828.95	5,887.35	
Chassis & Wheels	27	Tires	Number	Front / Rear	2/2	2/2	
	28		Size	Front	7.00 x 12	28 x 9 x 15	
	29			Rear	6.00 x 9	6.50 x 10	
	30	Wheelbase (J)		Inches	63.04	67	
	31	Tread	Front / Rear	Inches	38.22	39.4	
	32	Ground Clearance	Lowest (Mast)	Inches	4.33	4.73	
33	Chassis		Inches	4.53	5.32		
34	Brake	Service Brake		Hydraulic	Hydraulic		
35		Park Brake		Hand Lever	Hand Lever		
Power Train	36	Battery	Voltage/Capacity	V/Ah	12v/60ah	12v/60ah	
	36	Engine	Model		K25	K25	
	37		Rated Power	kw/RPM	37.4 / 2300	37.4 / 2300	
	38		Rated Torque		177 / 1600	177 / 1600	
	39		Number of Cylinders		4	4	
	40		Displacement		2.488	2.488	
	41	Fuel	Fuel Tank Capacity	Gallons	18.5	18.5	
	42	Transmission	Speed Forward/Reverse		1-1 Power Shift T/M	1-1 Power Shift T/M	
	43	Operating Pressure	Hydraulic System Pressure	lbs.	397	397	



Remarks: Helmar Incorporated reserves the right to make any changes without notice concerning specifications detailed in this brochure.