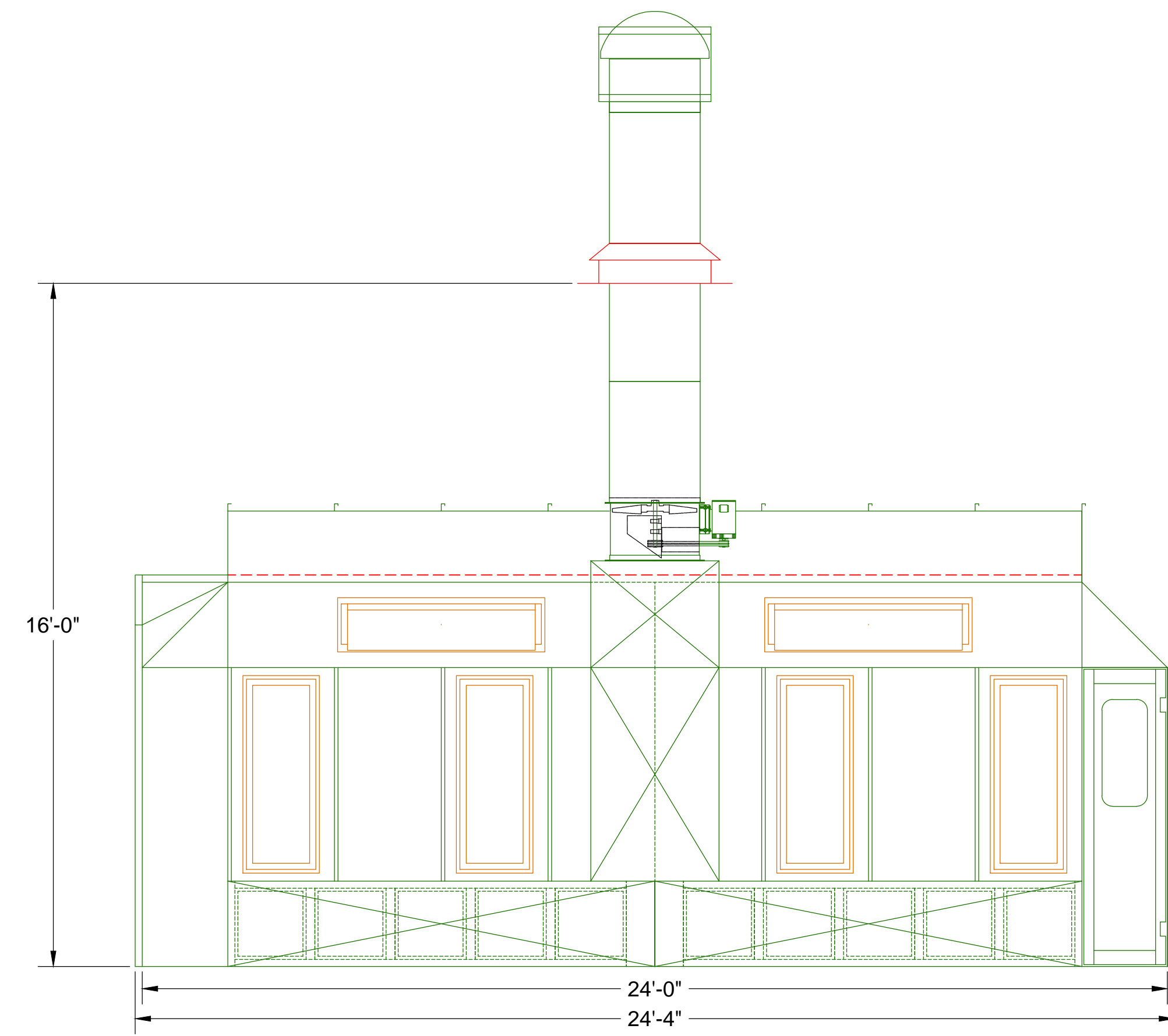
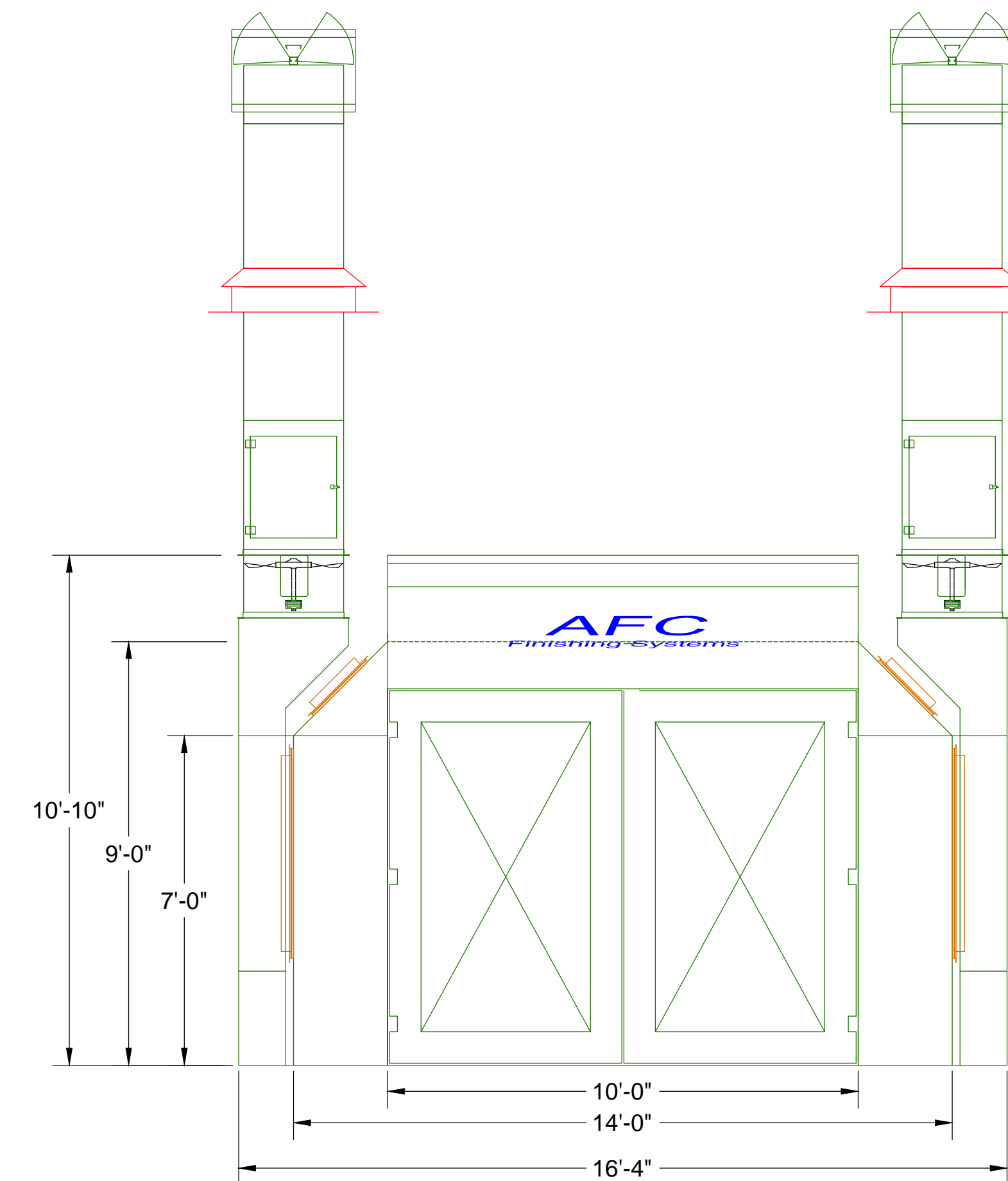




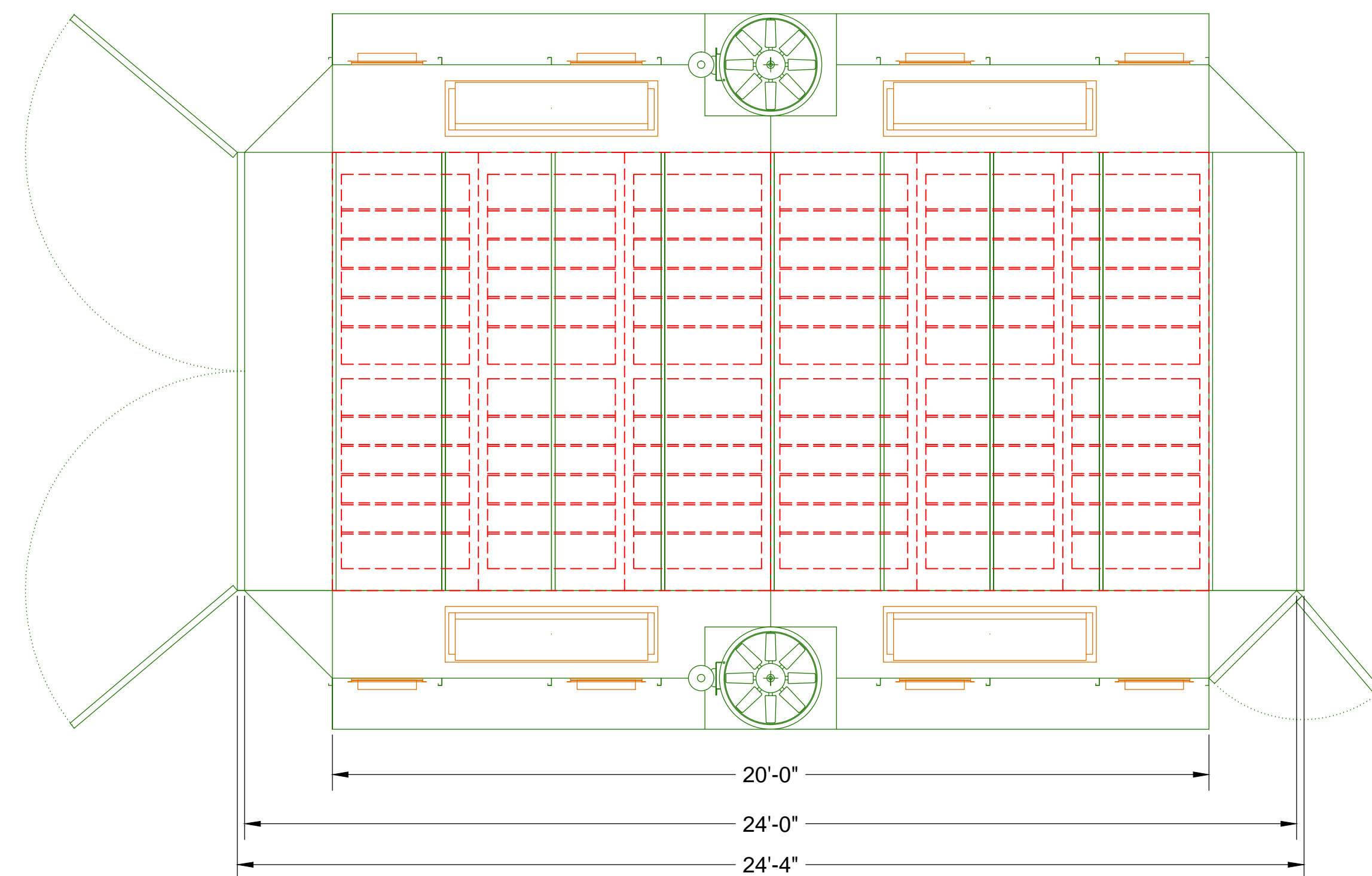
**Intertek**  
 53993  
 SPRAY APPLICATIONS  
 USING FLAMMABLE  
 AND COMBUSTIBLE  
 MATERIALS  
 CONFORMS TO NFPA STD.33



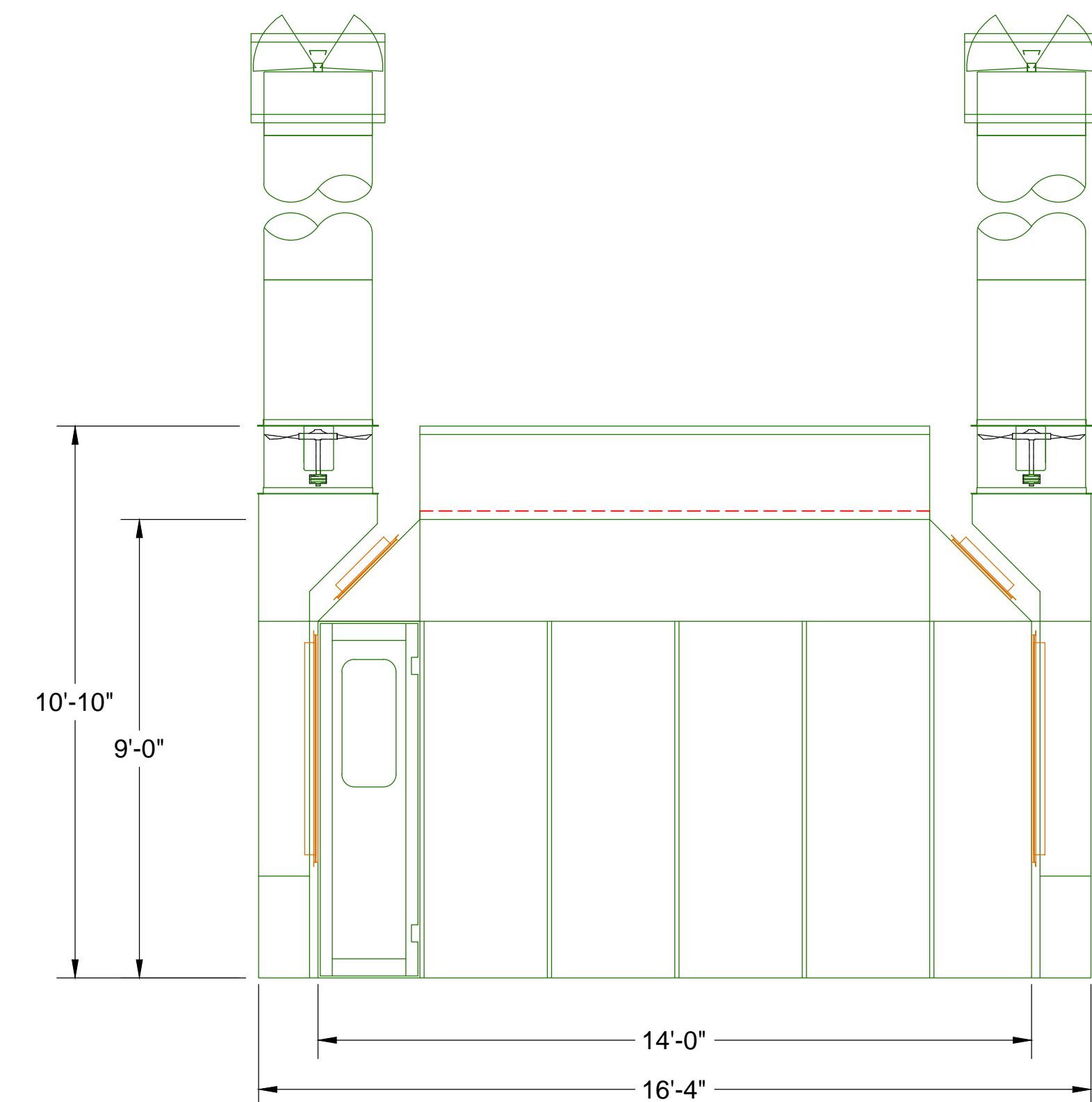
**SIDE VIEW**



**FRONT VIEW**



**TOP VIEW**



**REAR VIEW**

**BOOTH SPECIFICATIONS**

- UNIT MODEL: SDDP2412CSB ETL-LISTED
- LENGTH= 24'-4" O.D. / 24'-0" I.D.
- WIDTH= 16'-4" O.D. / 14'-0" I.D.
- HEIGHT= 10'-10" O.D. / 9'-0" I.D.
- DOOR HEIGHT= 8'-0"
- DOOR WIDTH= 10'- 0"
- (20) 20"X20"X2" FIBERGLASS ARRESTOR PADS

**EXHAUST AIR FAN**

- TWO EXHAUST FANS: 25 1/2" DIAMETER NON-SPRINKING BLADE
- TWO MOTORS: 2 HP, 230 VAC 3-PHASE 60Hz.
- VOLTAGE= 230 VAC @ 125% AMPACITY=8.5 EACH
- C.F.M. RATING=14,000 @ 1/2" STATIC PRESSURE

**CONSTRUCTION**

- 18 GA. G-90 GALVANIZED STEEL PANELS WITH "LOCKING" SEAL FLANGES.
- PANEL ASSEMBLY TYPE= 1/4" X 3/4" SELF-TAPPING SCREWS ON 12" CENTERS TYP.
- DOOR FRAME CONSTRUCTION: 2" X 1-1/2" X 1/4" HRS ANGLE.
- DOOR HINGES: 4" X 4" X HEAVY DUTY STEEL ( 3-EA. PER DOOR )

**LIGHTING SPECIFICATIONS**

- LIGHT FIXTURE TYPE= L.D.P.I. 4-TUBE FLORESCENT U. L. LISTED
- VOLTAGE= STANDARD: 120 / 60 HRTZ. AMPACITY: 1.0 PER FIXTURE.
- QUANTITY= 12-EA. TOTAL.
- TYPE = (11) STANDARD OPEN TYPE.
- TYPE = (1) CLASS 1 DIVISION 2 TYPE.

| REV. | DESCRIPTION | DATE | BY |
|------|-------------|------|----|
|      |             |      |    |
|      |             |      |    |



**AFC Finishing Systems**

250 AIRPORT PARKWAY, OROVILLE, CA 95965  
 (800) 331-7744 (530) 533-0179 (FAX)  
<http://www.afc-ca.com> email: sales@afc-ca.com

THIS DRAWING IS THE PROPERTY OF AFC FINISHING SYSTEMS AND IS NOT TO BE LOANED, COPIED OR DUPLICATED UNLESS IN DIRECT CONNECTION WITH AFC FINISHING SYSTEMS. ALL RIGHTS RESERVED. THIS DRAWING MUST BE RETURNED UPON REQUEST BY AFC FINISHING SYSTEMS.

DRAWN FOR:

DESCRIPTION: SIDE DOWN DRAFT MODEL: SDDP2412CSB ELEVATION DRAWING

|                       |                   |                   |   |
|-----------------------|-------------------|-------------------|---|
| DRAWN BY:<br>J.BARTON | CHECKED BY:       | APPROVED BY:      | DATE:<br>04/08/2019                       |
| INSTALLED BY:         | FIELD CHANGED BY: | SCALE:<br>3/8"=1' | DRAWING NAME:<br>SDDP2412CSB-9H-ELEVATION |