



Intertek

53993
SPRAY APPLICATIONS
USING FLAMMABLE
AND COMBUSTIBLE
MATERIALS
CONFORMS TO NFPA STD.33

SMALL PAINT MIXING ROOM MODEL: SMR 1504

BOOTH SPECIFICATIONS

- UNIT MODEL: SMR 1504 (SMALL PAINT MIXING ROOM)
- LENGTH= 15'-4" O.D. / 15'-0" I.D.
- WIDTH= 10'-4" O.D. / 10'-0" I.D.
- HEIGHT= 8'-3" O.D. / 8'-0" I.D.
- MAN DOOR HEIGHT= 83"
- MAN DOOR WIDTH= 36" INCLUDES OBSERVATION WINDOW AND FUSED LINK LOUVER AT BOTTOM OF DOOR

CONSTRUCTION

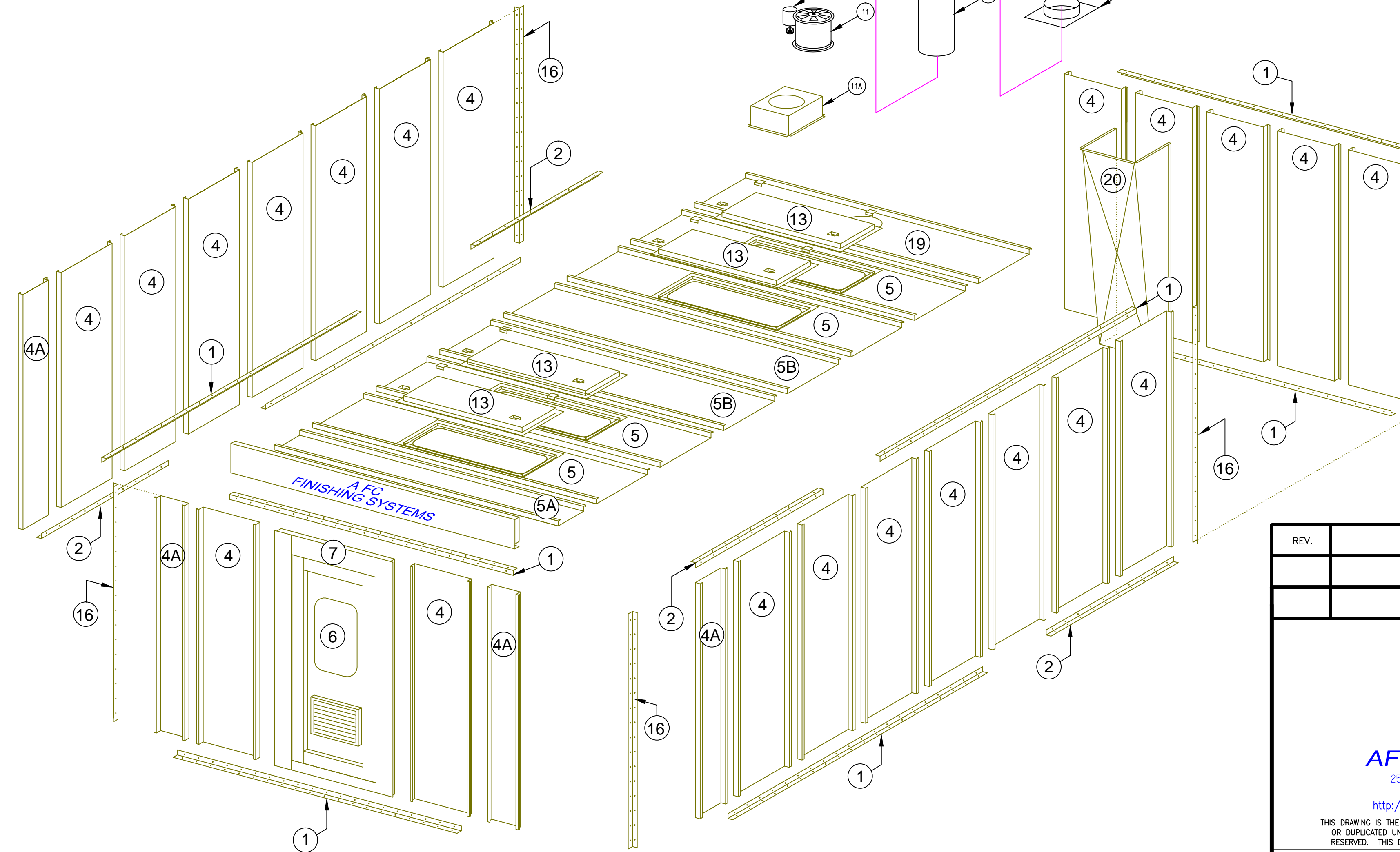
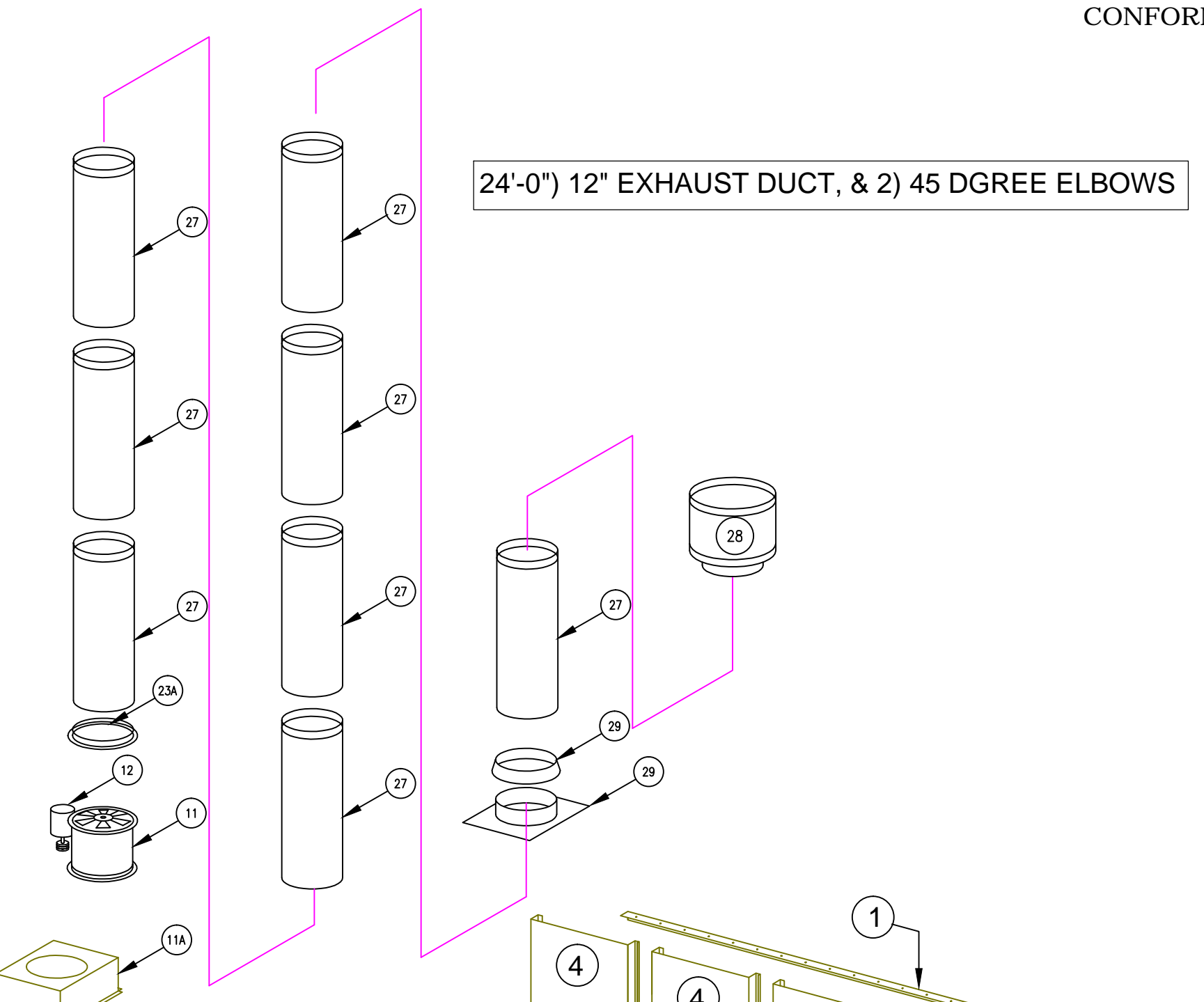
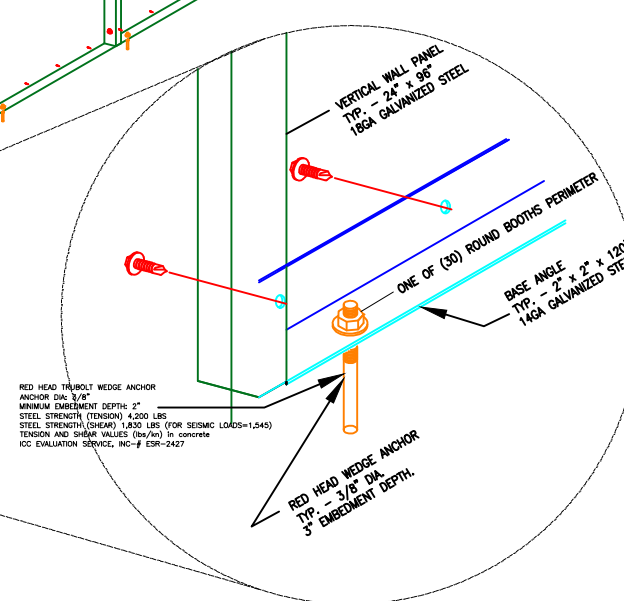
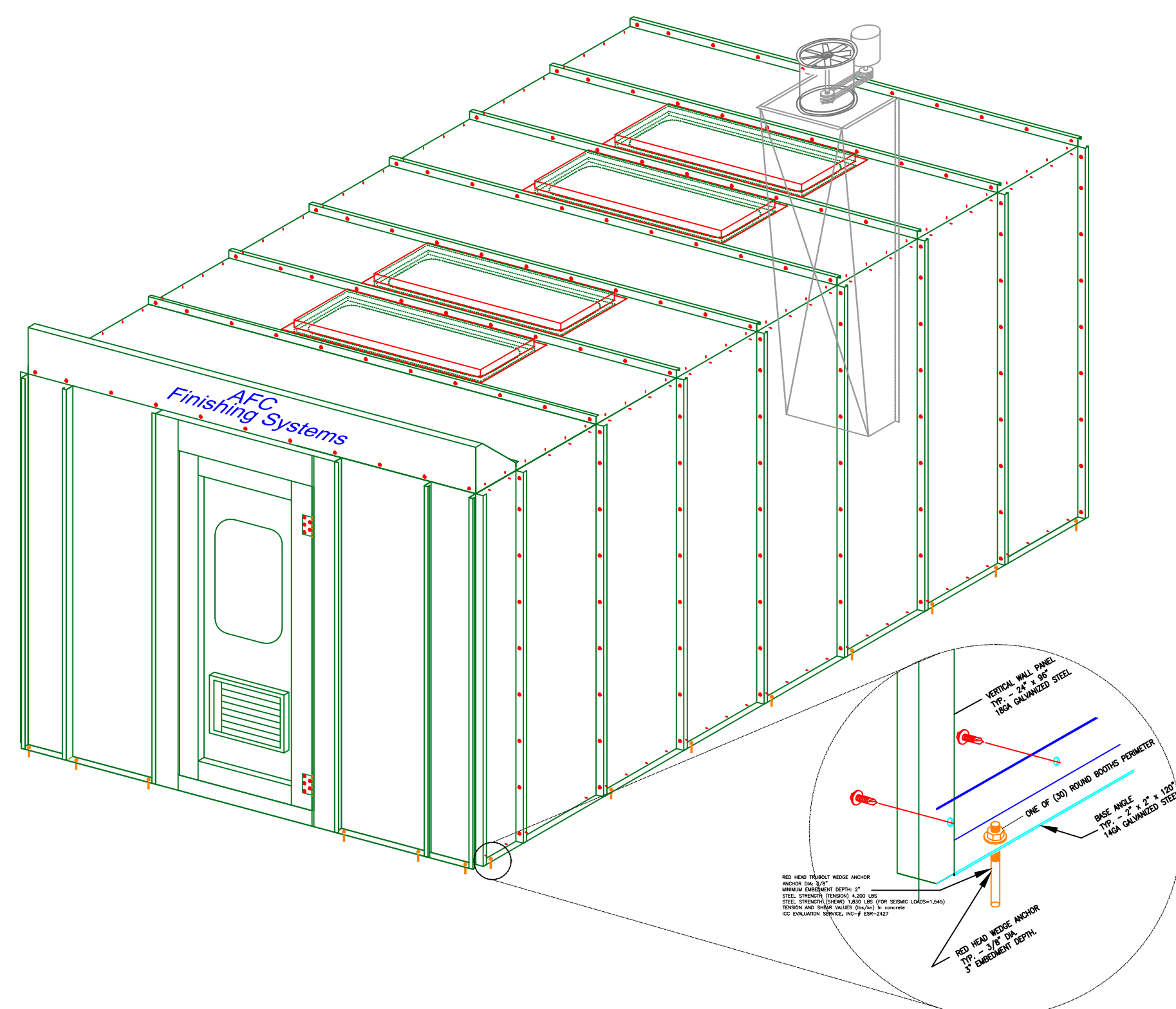
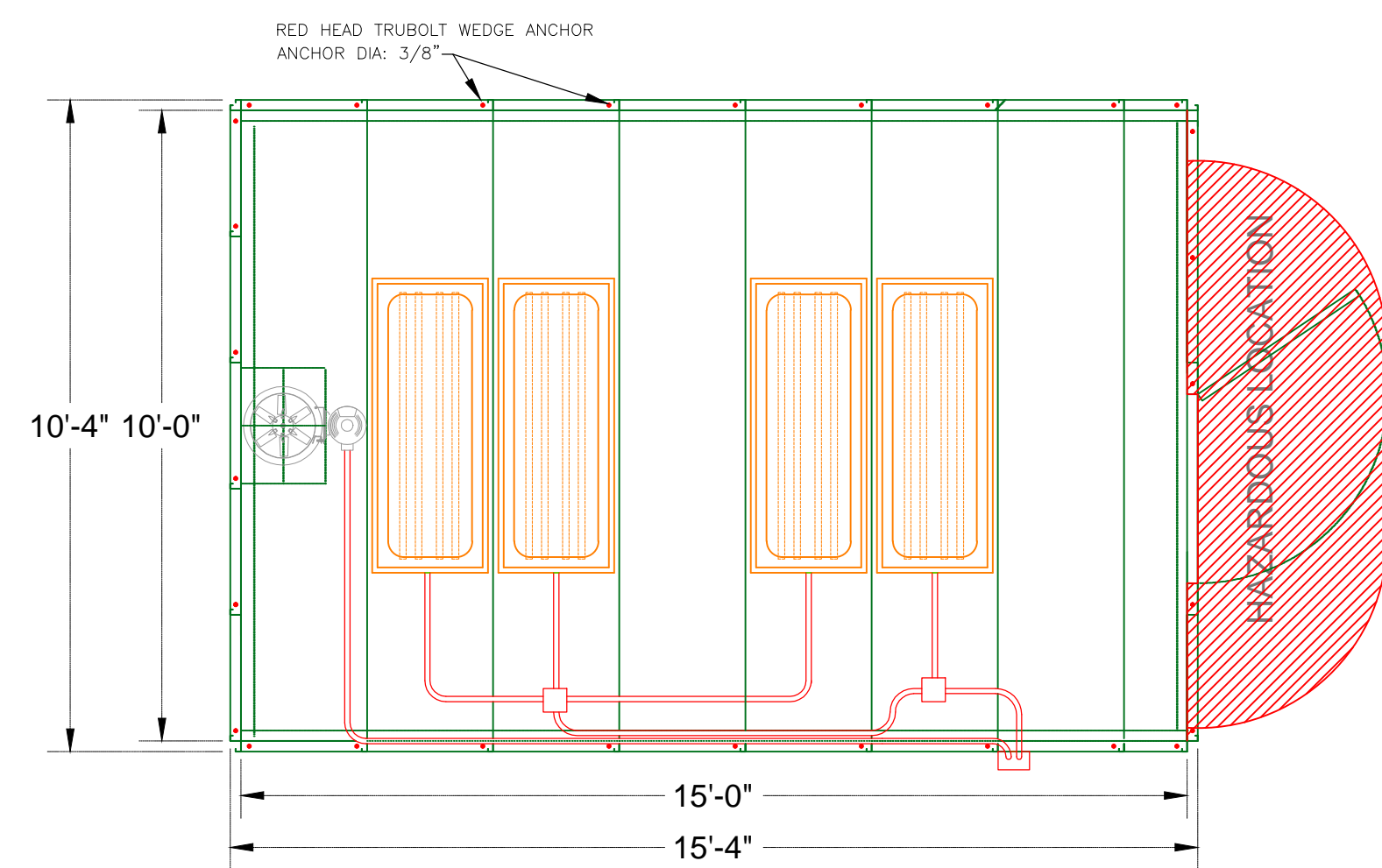
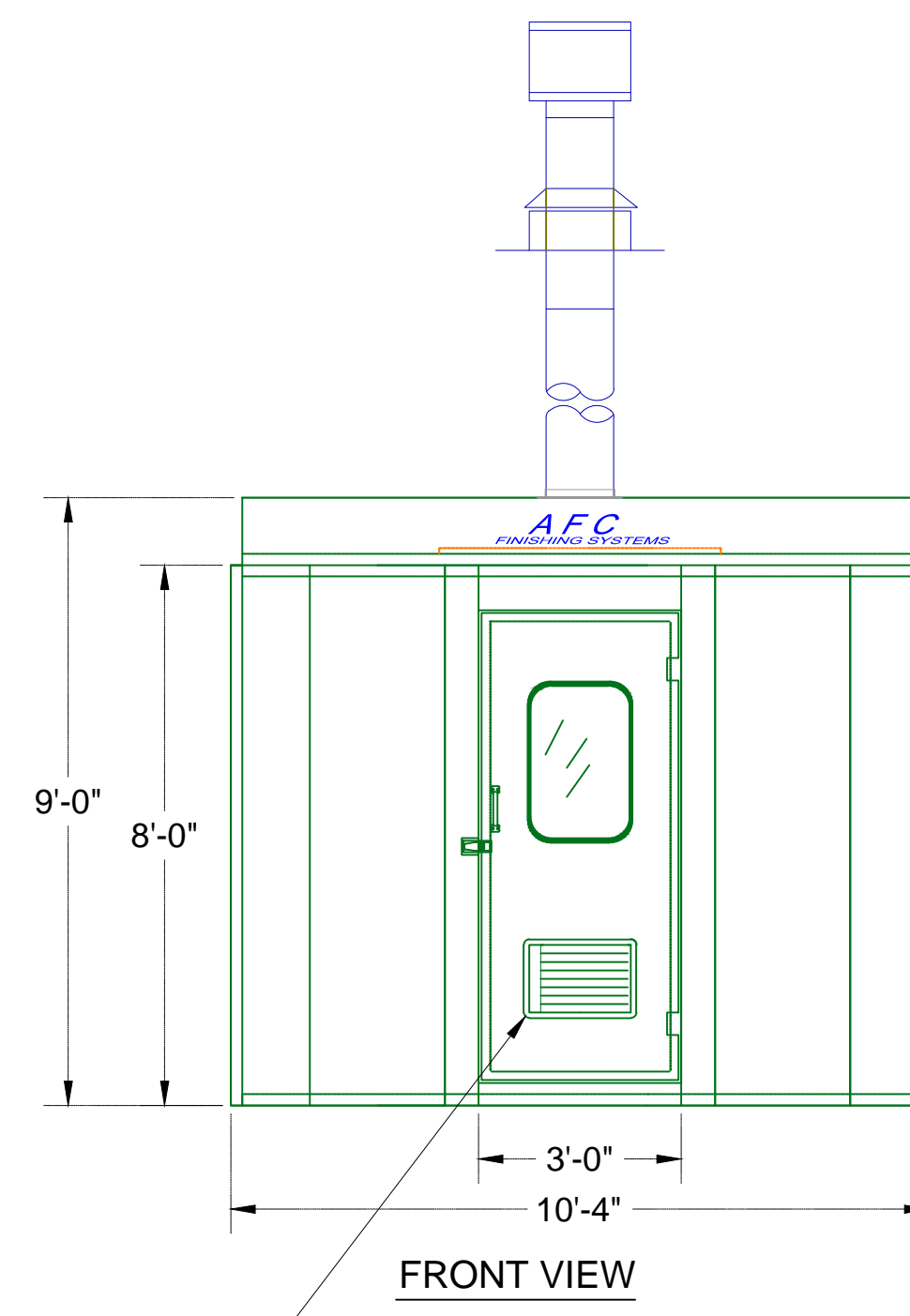
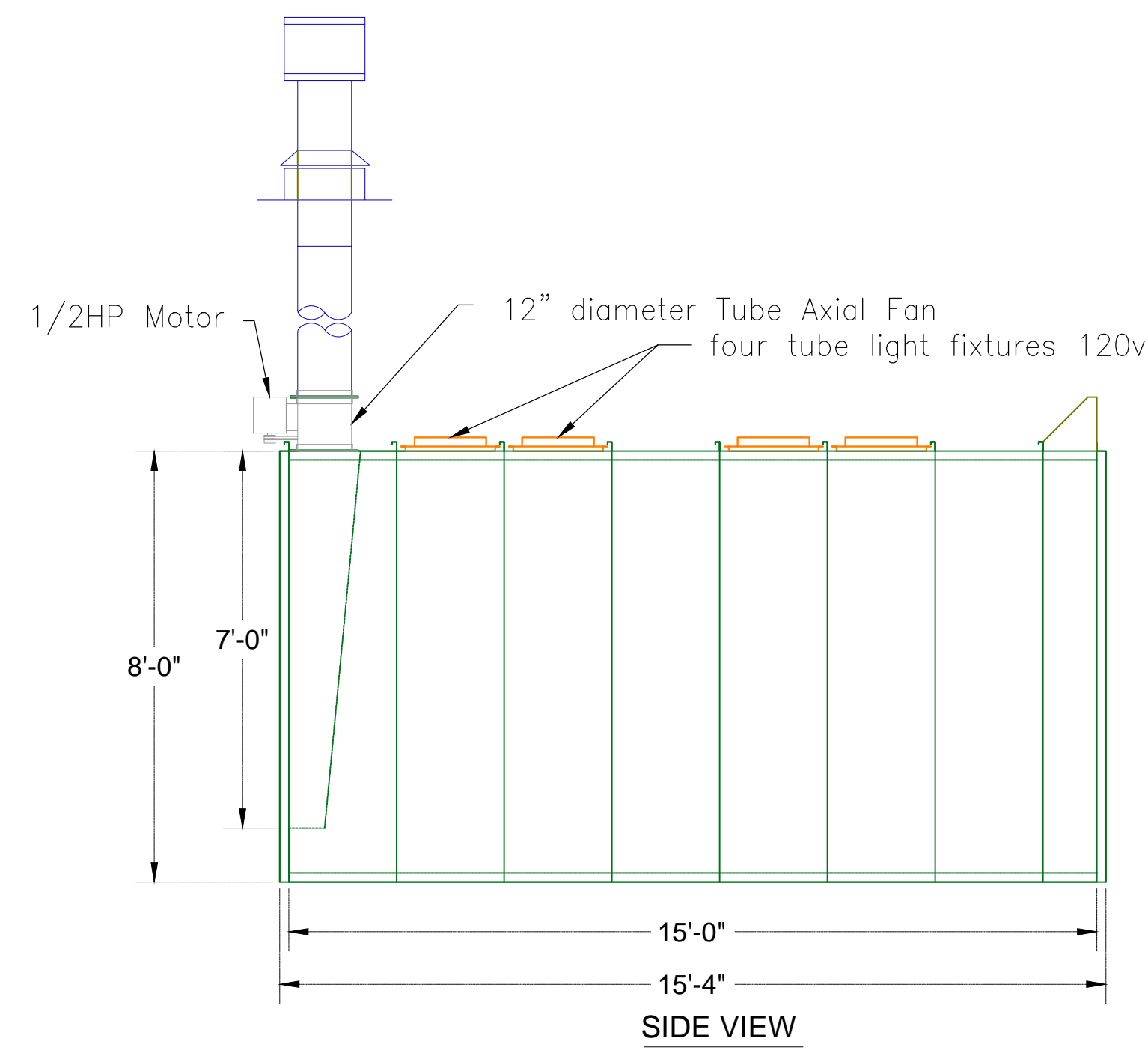
- 18 GA. G-90 GALVANIZED STEEL PANELS
- PANEL ASSEMBLY TYPE= 1/4" X 3/4" SELF-TAPPING SCREWS ON 10" CENTERS TYP.

EXHAUST SPECIFICATIONS

- EXHAUST FAN TYPE: 1-FANS 12" DIAMETER NON-SPARKING BLADE
- MOTOR TYPE: 1/2-HP, 1-PH, 2300 VOLT.
- C.F.M. RATING= Total 1200 @ 1/2" STATIC PRESSURE

LIGHTING SPECIFICATIONS

- LIGHT FIXTURE TYPE = 4-TUBE FLORESCENT
- VOLTAGE = STANDARD: MULTI VOLT 120V 60 HRTZ.
- QUANTITY = 4-AT 1 AMP EACH.
- 4-TYPE = OPEN TYPE



REV.	DESCRIPTION	DATE	BY

AFC Finishing Systems
250 AIRPORT PARKWAY, OROVILLE, CA 95965
(800) 331-7744 (530) 533-0179 (FAX)
<http://www.afc-ca.com> email: sales@afc-ca.com

THIS DRAWING IS THE PROPERTY OF AFC FINISHING SYSTEMS AND IS NOT TO BE LOANED, COPIED OR DUPLICATED UNLESS IN DIRECT CONNECTION WITH AFC FINISHING SYSTEMS. ALL RIGHTS RESERVED. THIS DRAWING MUST BE RETURNED UPON REQUEST BY AFC FINISHING SYSTEMS.

DRAWN FOR: **customer name**
customer address

DESCRIPTION: PAINT MIXING ROOM MODEL: SMR1504 ELEVATION/ASSEMBLY DRAWING

DRAWN BY: J.BARTON	CHECKED BY:	APPROVED BY:	DATE: 08/31/17
INSTALLED BY:	FIELD CHANGED BY:	SCALE: 3/8"=1'	DRAWING NAME: SMR1504X10W-ASSEMBLY