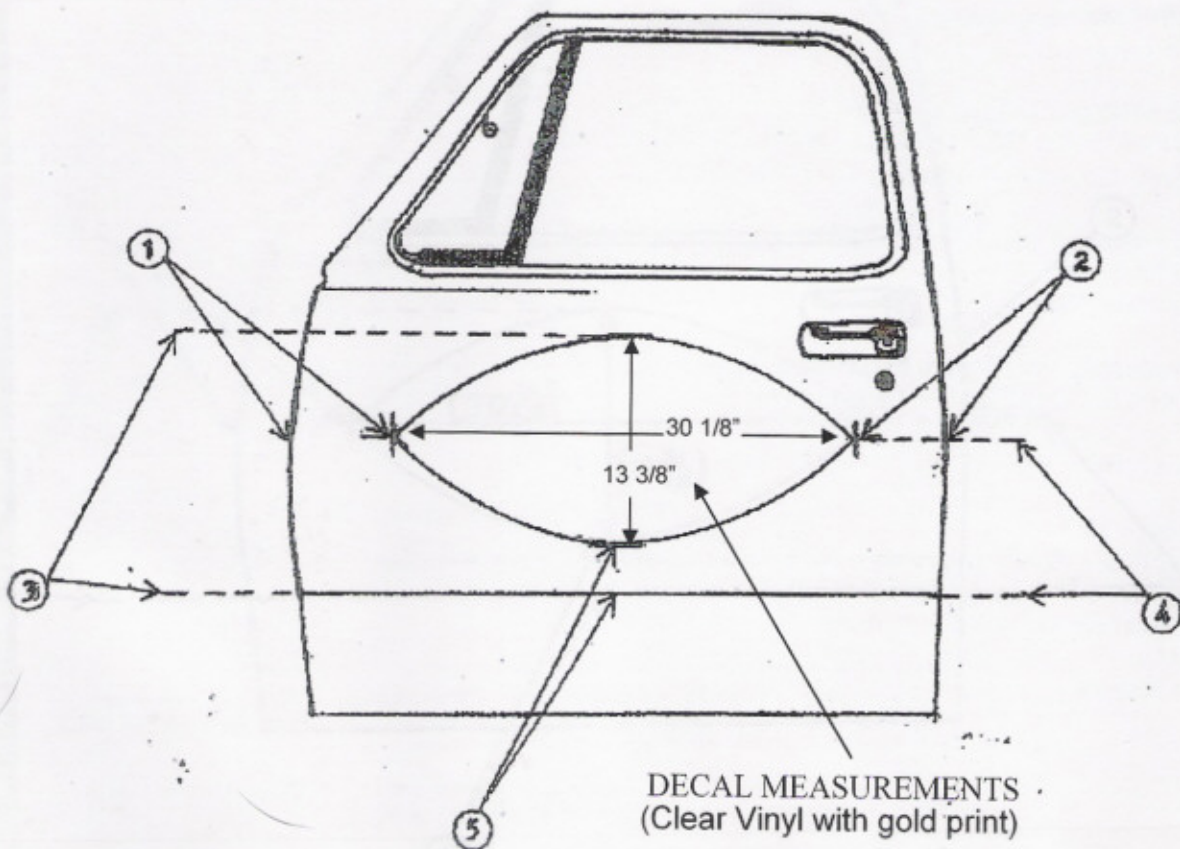


LI'L RED EXPRESS TRUCK, DECAL PLACEMENT INFORMATION.

①

DRIVERS SIDE DOOR * DECAL



- ① Tip of decal to front edge of door ($6 \frac{3}{4}$) inches.
- ② Tip of decal to rear edge of door ($5 \frac{5}{16}$) inches.
- ③ Top of decal to ridge in door ($16 \frac{3}{4}$) inches.
- ④ Tip of decal to ridge in door ($9 \frac{7}{8}$) inches.
- ⑤ Bottom of decal to ridge in door ($3 \frac{1}{8}$) inches.