



# Swimbrella™

## Swim Stand™ Floating Anchor Base

### Assembly Instructions

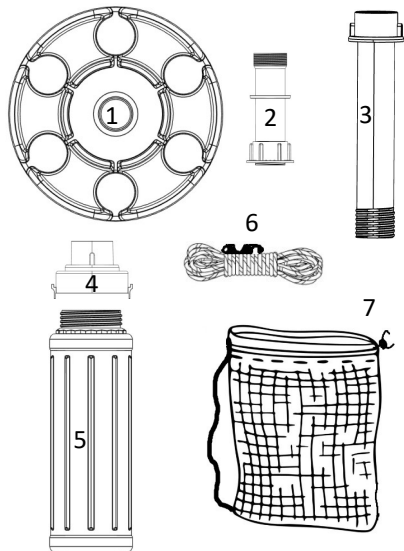
PARTS LIST		QTY
1	Base table	1
2	Pole holder assembly	1
3	Extension	1
4	Cap	1
5	Ballast jug	1
6	Rope tether	1
7	Mesh carry bag	1

# NOT A FLOTATION DEVICE!

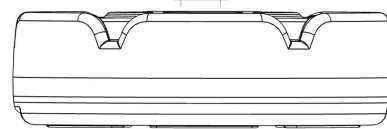
## USE ONLY WITH ADULT SUPERVISION!

### ALWAYS secure umbrella with tether! (Fig 1)

### NEVER DROP Swim Stand™ into water! Lower carefully!



5. Screw pole holder into extension through base



4. Place base onto extension.

3. Screw extension into cap (Extension is optional and provides additional stability in windy or wavy conditions)

2. Screw cap onto jug.

1. Fill jug with wet sand or gravel and top off with water!

NOTE: Pass tether rope through hole in pole holder from the inside. Tie a knot on the end of the rope. Knot will be on the outside of the pole holder. (Fig. 2)

NOTE: Pass tether rope up through a gap in the ribs and around the pole. Then go back down through the same gap and use the catch to secure the end of the rope to the upcoming rope. (Fig. 1)

**PLEASE NOTE: The anchor base will only work with accessories weighing 5 lbs or less. Umbrellas typically must have aluminum poles and fiberglass ribs.**

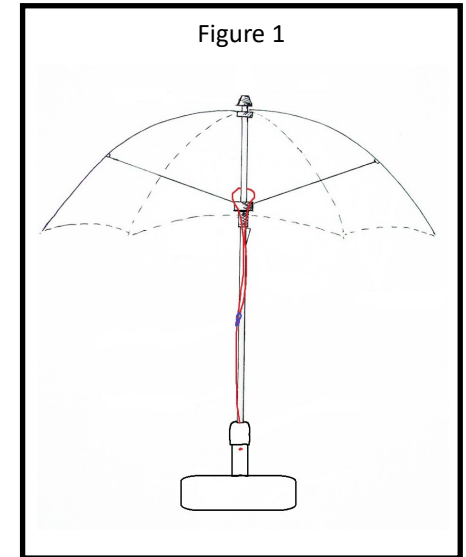


Figure 1



Figure 2

**Maintenance:** To clean, simply rinse with water, scrub with mild soap or any non-abrasive cleaner. Use of solvents or abrasive cleaners may damage the product and/or finish of the product.

**Questions or Comments?** Contact us at [www.swimbrella.com](http://www.swimbrella.com)