

**HEAVY DUTY
SOLDIER SYSTEM**

HD SOLDIER SYSTEM

As a major player in the field of construction with over 50 years of experience in all its related spheres, AMA has an astute understanding of on-site requirements and factors that allow scope for improvement and builds increasingly efficient systems. The AMA HD Soldier System is a product that offers immense economies in terms of time, labour and other resources.

Outstanding Features:

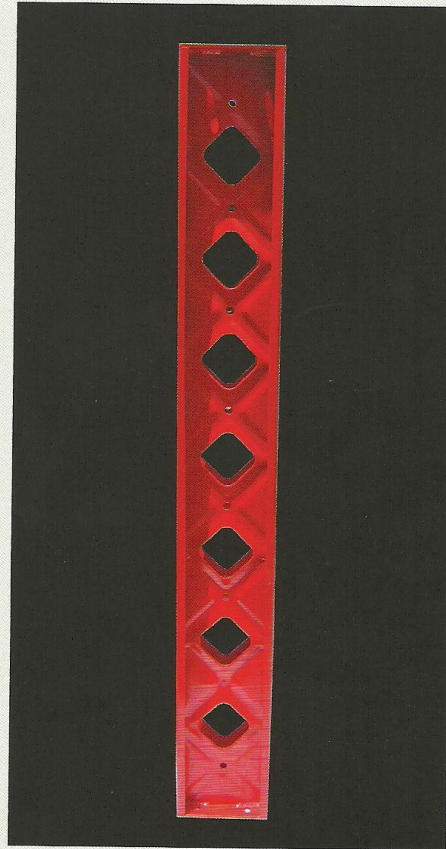
The HD Soldier is an ideal balance of weight, stiffness, strength and durability with diamond apertures and stiffening ribs.

Scope of usage:

- Keeps deflection in concrete finish to negligible levels despite high concrete pressure.
- Allows soldier spacing and tie loads to be optimized when used in conjunction with the added strength of walings. Adapts to non-form work applications thereby reducing dependence on specialized equipment.

Product Range:

Available in eight lengths from 0.45m to 3.6m, with a variety of associated accessories.



WALL FORMS

The use of AMA HD Soldier System in combination with expansive sheets of high quality plywood helps to keep joint marks and other surface defacing to a bare minimum. The aluminium walings used with soldiers offer further resistance to pressures of the poured concrete, thereby reducing deflections in the form face to negligible levels.

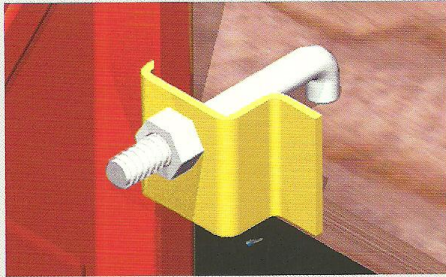
Moreover the added strength of the walings allows maximum spacing out of soldiers which in turn translates to a major saving in costs. This advantage is somewhat nullified by the use of timber walings, which lack the sturdiness of aluminium walings.

Both soldier systems and the walings are meant to speed up the process of assembling and dismantling of formwork through the use of quick fixing clamps and timber inserts in the face of walings.

Fewer ties need to be used with the introduction of a new She-bolt tie system which is designed specially to match the load bearing capacity of the soldiers. It has a tie rod of 15 mm diameter with a permissible load carrying capacity of 90KN at any location along the soldier. This capacity does not decrease with higher bending moments. In order to provide an added safety factor during higher pours, soldiers can be used as props in an inclined position.

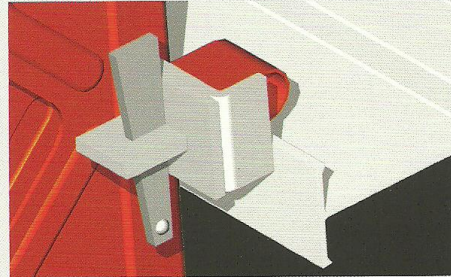
TIMBER WALING CLAMPS

Clamps designed to rigidly fix timber waling of any size to soldiers.



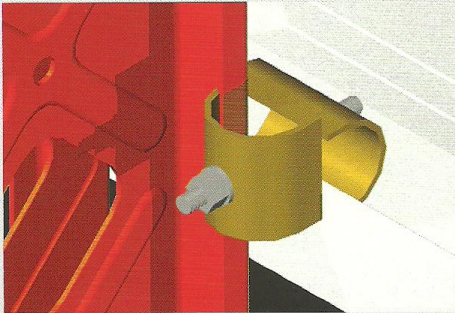
WEDGE CLAMPS

A quick fix attachment of metal walings to soldiers through the simple positioning of a wedge.



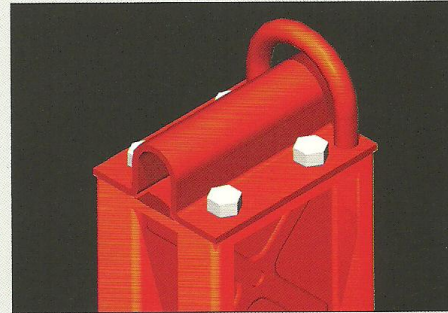
UNIVERSAL CLAMPS

Clamps by which aluminium beams/walings can be securely attached to soldiers.



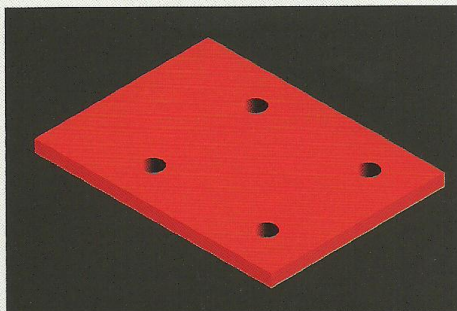
LIFTING BRACKETS

Can be secured to either end of a soldier to aid easy lifting by cranes through the provision of a hooking device.



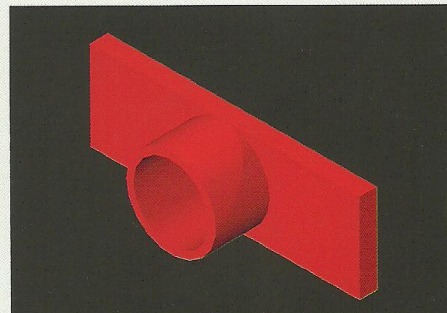
SUPPORT PLATE

Used as a pair horizontally to serve as a plumbing device for climbing forms, though they are generally used to level form works.

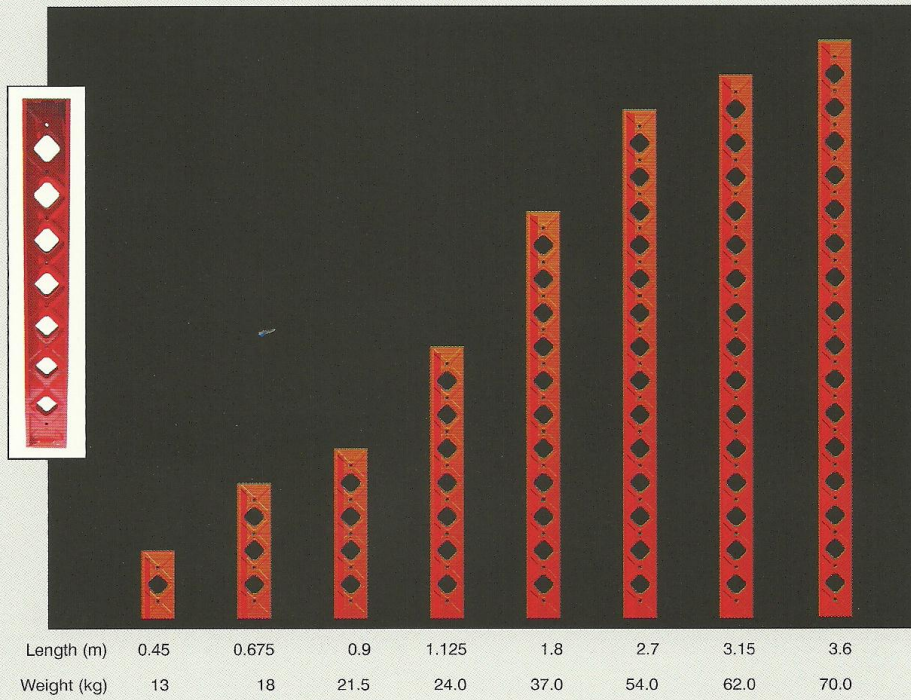


END TIE WASHER

These help to stabilize form works by fitting into the base of soldiers and anchoring it to the ground by means of a base plate and a strut.

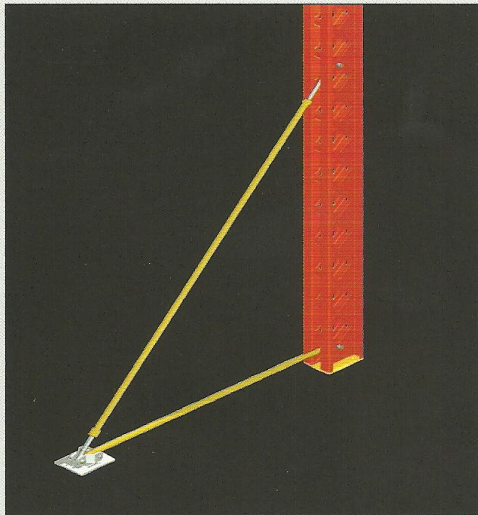


HD SOLDIERS



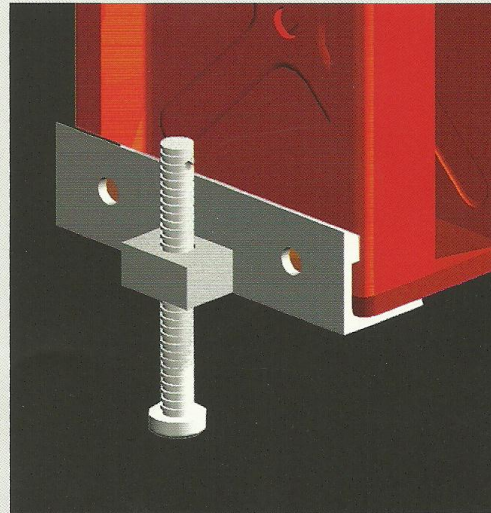
STABILIZERS

These help to stabilize form works by fitting into the base of soldiers and anchoring it to the ground by means of a base plate and a strut.

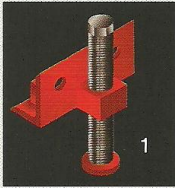
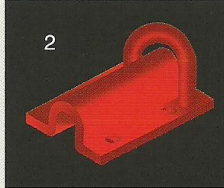


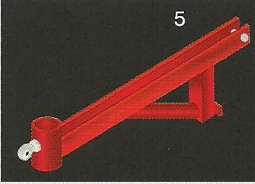

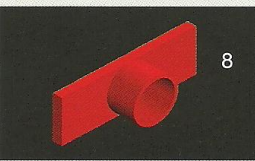
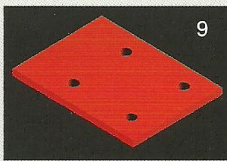


FORM JACKS

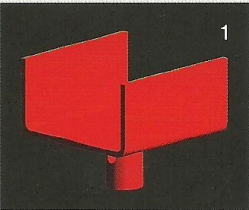
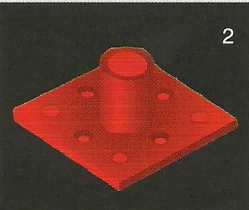

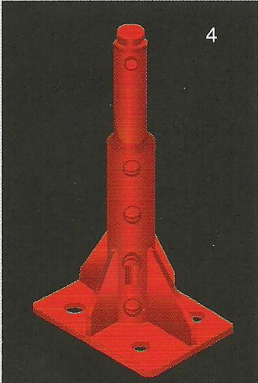
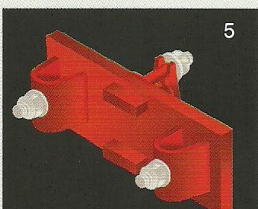
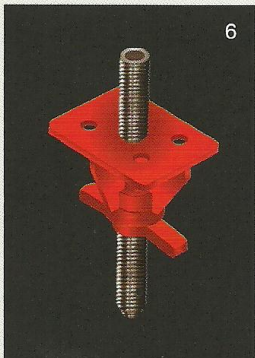
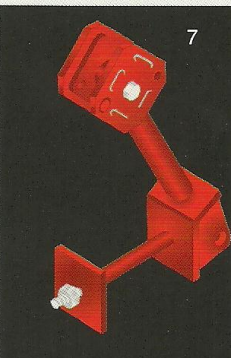
Used as a pair horizontally to serve as a plumbing device for climbing forms, though they are generally used to level form works.



SOLDIER ACCESSORIES

	Weight (kg)			
1. Form Jack	4.30			
2. Lifting Bracket	2.00			
3. Stabilizer	21.50			
4. Wedge Clamp	0.34			
5. Hop-up Bracket	5.60			
6. Timber Waling Clamp & J Bolt	0.34 0.45			
7. Universal Clamp	0.60			
8. End Tie Washer	0.65			
9. Support Plate	3.81			

SHORING COMPONENTS

	Weight (kg)
	4.80
	3.40
	5.00
	12.95
	3.90
	8.50
	6.80