



## **Friends of Chosewood Park Receives Grant from Park Pride**

*Community organization to install two benches and two bike racks in the park*

Atlanta, GA, June 22, 2021 -- Friends of Chosewood Park ("FoCP") was awarded a Small Change Grant from [Park Pride](#) in the amount of \$2,500 to fund the installation of two steel benches and two steel bike racks in Chosewood Park.

Park Pride and members of the Chosewood Park community recognize that great parks increase the quality of life of residents by supporting healthy people, strong neighborhoods, vibrant business districts, a robust economy, and a healthy environment. Park Pride is the only Atlanta-based nonprofit that engages communities to activate the power of parks.

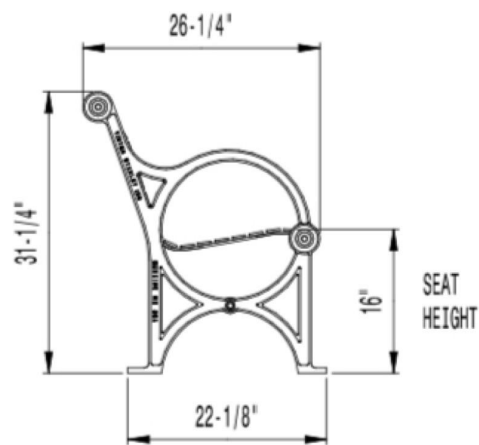
FoCP President Jim Williamson commented, "Friends of Chosewood Park would like to create a more welcoming environment for our residents. There is currently limited seating and no bike racks in our park. The installation of these new amenities around the periphery of the park will increase safety, thereby encouraging more residents to visit and spend time in the park. They will also further enhance the park's aesthetics and functionality for residents. We are very grateful to Park Pride for funding this project, and to neighborhood partner Clay Preston, who donated \$3,000 in matching funds from the Barbara and Sam Preston Fund within the Community Foundation for Greater Atlanta."

FoCP thanks its members for their ongoing commitment to the community greenspace and for their approval of this project during its March 2021 meeting. To learn more about FoCP or to donate, visit [focwp.org](http://focwp.org). FoCP's next quarterly cleanup is on July 24 at 9 a.m., and its next meeting is on September 18 at 9:30 a.m.

Kayla Altland, Park Pride's Grants and Fiscal Sponsorship Program Manager, stated, "Adding benches and bike racks will activate Chosewood Park in a whole new way. Park visitors, including seniors, will be invited to sit on the new benches, and rest and enjoy the park for longer than they may have done otherwise. Because of the bike racks, families may choose to ride to the park, as opposed to drive, increasing their fitness levels that will have a positive impact on their health. Park Pride is so pleased to support the efforts of the Friends of Chosewood Park."

###

A trusted Atlanta-based nonprofit for over 30 years, Park Pride engages communities to activate the power of parks! Working with over 160 local Friends of the Park groups, Park Pride provides leadership, services, and funding to help communities realize their dreams for neighborhood parks that support healthy people, strong neighborhoods, vibrant business districts, a robust economy and a healthy environment. Park Pride is active in greenspace advocacy and educating both civic leaders and the public about the benefits of parks, and annually hosts the Parks and Greenspace Conference. Learn more about Park Pride at [parkpride.org](http://parkpride.org).



(16) 1/4"

