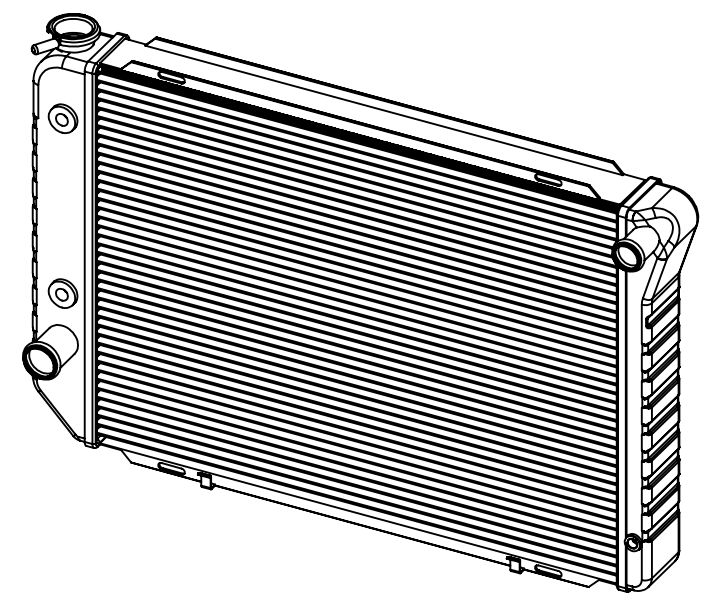
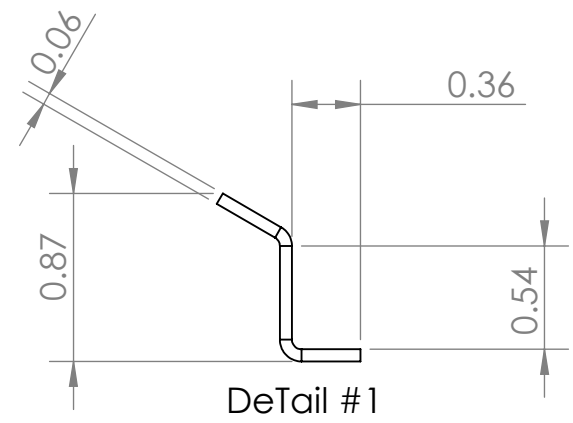
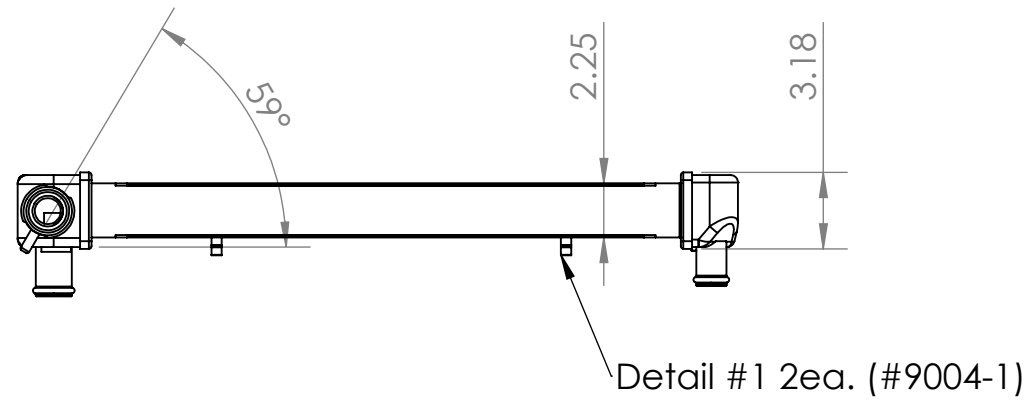


4

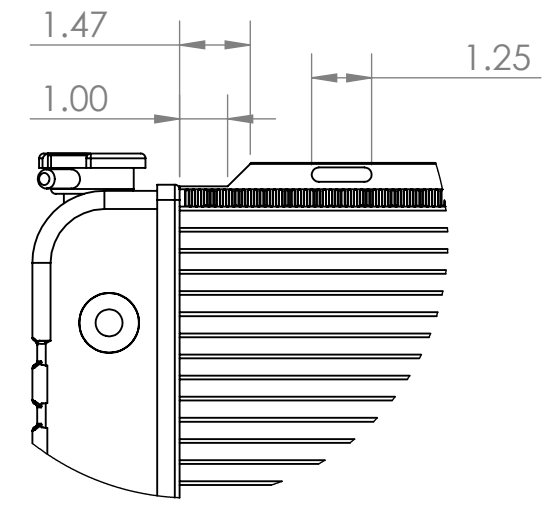
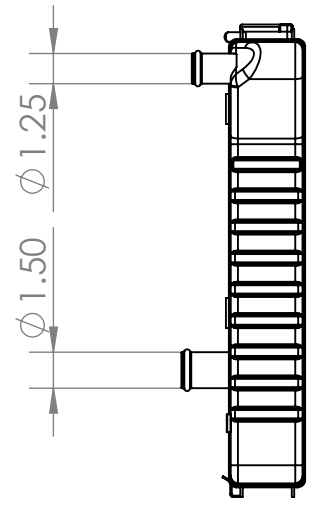
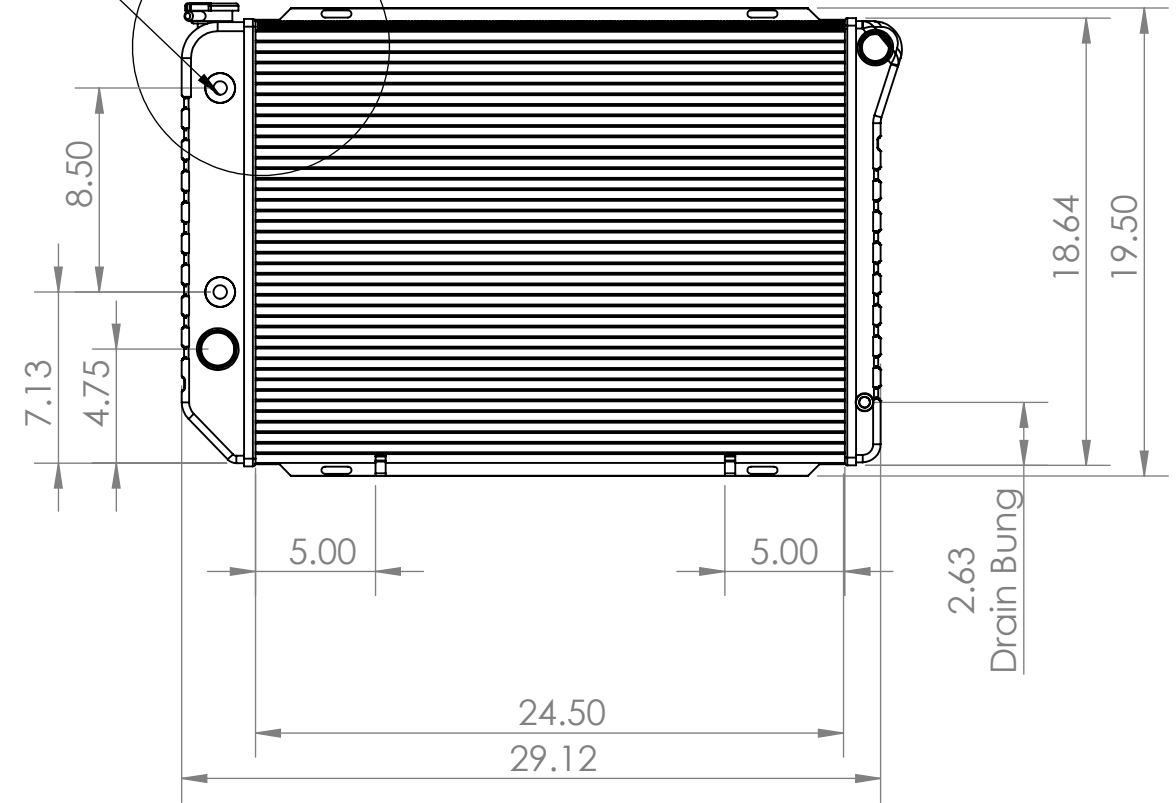
3

2

1



8.5" 4 Plate Cooler  
1/4" NPT Fittings



- NOTES:
- 1) - PART IS TO BE BURR FREE AND CLEAN
  - 2) - NO SCUFFS, SCRATCHES, OR ABRASIONS
  - 3) - ASSUME ALL BENDS ARE 90 DEGREE

**DETAIL A**  
SCALE 1 : 4

ITEM NO.	PART NUMBER	DESCRIPTION	Default/QTY.
1	869	Inlet Tank	1
2	32-10-24.50UX	MUSTANG CORE SPECIAL U CHANNEL	1
3	864	GM Style Angled Outlet Tank	1
4	705	1.5" Straight Tube	1
5	927F	Billet Filler with Pressed Tube	1
6	706	1.25" Stright Tube	1
7	205A	1/4" NPT Drain Bushing	1
8	32-881-4-B9	8.5" 4 PLATE 1/4 NPT	1
9	32-BC9	DRAIN VALVE	1
	MAKE IN-HOUSE		
11	9004-1	Camaro Shroud Tab	2



**PROPRIETARY AND CONFIDENTIAL**  
THE INFORMATION CONTAINED IN THIS DRAWING IS THE SOLE PROPERTY OF DEWITT'S RADIATOR LLC. ANY REPRODUCTION IN PART OR AS A WHOLE WITHOUT THE WRITTEN PERMISSION OF DEWITT'S RADIATOR LLC IS PROHIBITED.

		UNLESS OTHERWISE SPECIFIED:	NAME	DATE
		DIMENSIONS ARE IN INCHES	DRAWN	JCD
		TOLERANCES:	CHECKED	12/11/19
		FRACTIONAL: +/- 0.1	ENG APPR.	
		ANGULAR: +/- 0.5 BEND <+/- 2	MFG APPR.	
		TWO PLACE DECIMAL: +/- 0.030	Q.A.	
		THREE PLACE DECIMAL: +/- 0.010	COMMENTS:	
		INTERPRET GEOMETRIC TOLERANCING PER:		
		MATERIAL		
		Aluminum		
		FINISH		
NEXT ASSY	USED ON			
APPLICATION	DO NOT SCALE DRAWING			

**DeWitt's Radiator LLC**  
TITLE:  
**79-93 Mustang**

SIZE **B** DWG. NO. **#32-1138012A** REV

SCALE: 1:8 WEIGHT: 14.91 SHEET 1 OF 1

4

3

2

1

B

B

A

A