

AM 100 - Horizontal Weatherboard (DETAILS)

- HW01 - ELEVATION / SECTIONS
- HW02 - PLANS
- D01 - WINDOW HEAD DETAIL
- D02 - WINDOW SILL DETAIL
- D03 - WINDOW JAMB DETAIL
- D04 - INTERNAL CORNER DETAIL
- D05 - EXTERNAL CORNER DETAIL
- D06 - HORIZONTAL JOINT / INTER-STOREY JUNCTION DETAIL
- D07 - BALUSTRADE TOP DETAIL
- D08 - BALUSTRADE JUNCTION DETAIL
- D09 - SOFFIT DETAIL
- D10 - BOTTOM DETAIL
- D11 - PIPE PENETRATION DETAIL
- D12 - VERTICAL DETAIL
- D13 - METER BOX HEAD DETAIL
- D14 - METER BOX SILL DETAIL
- D15 - METER BOX JAMB DETAIL
- D16 - CONCRETE FLOOR BOARD STARTER DETAIL
- D17 - PARAPET DETAIL
- D18 - PARAPET ON CAVITY DETAIL
- D19 - NON-SOFFIT DETAIL
- D20 - ROOF WALL JUNCTION DETAIL
- D21 - DECK JUNCTION DETAIL
- D22 - STEEL STUD/NOGS DETAIL
- D23 - PARTS PROFILE



ARCHIMAX CLADDING

Archimax Limited

16 Ha Crescent, Wiri 2104 New Zealand

www.archimax.co.nz

@ ARCHIMAX CLADDING - All Rights Reserved

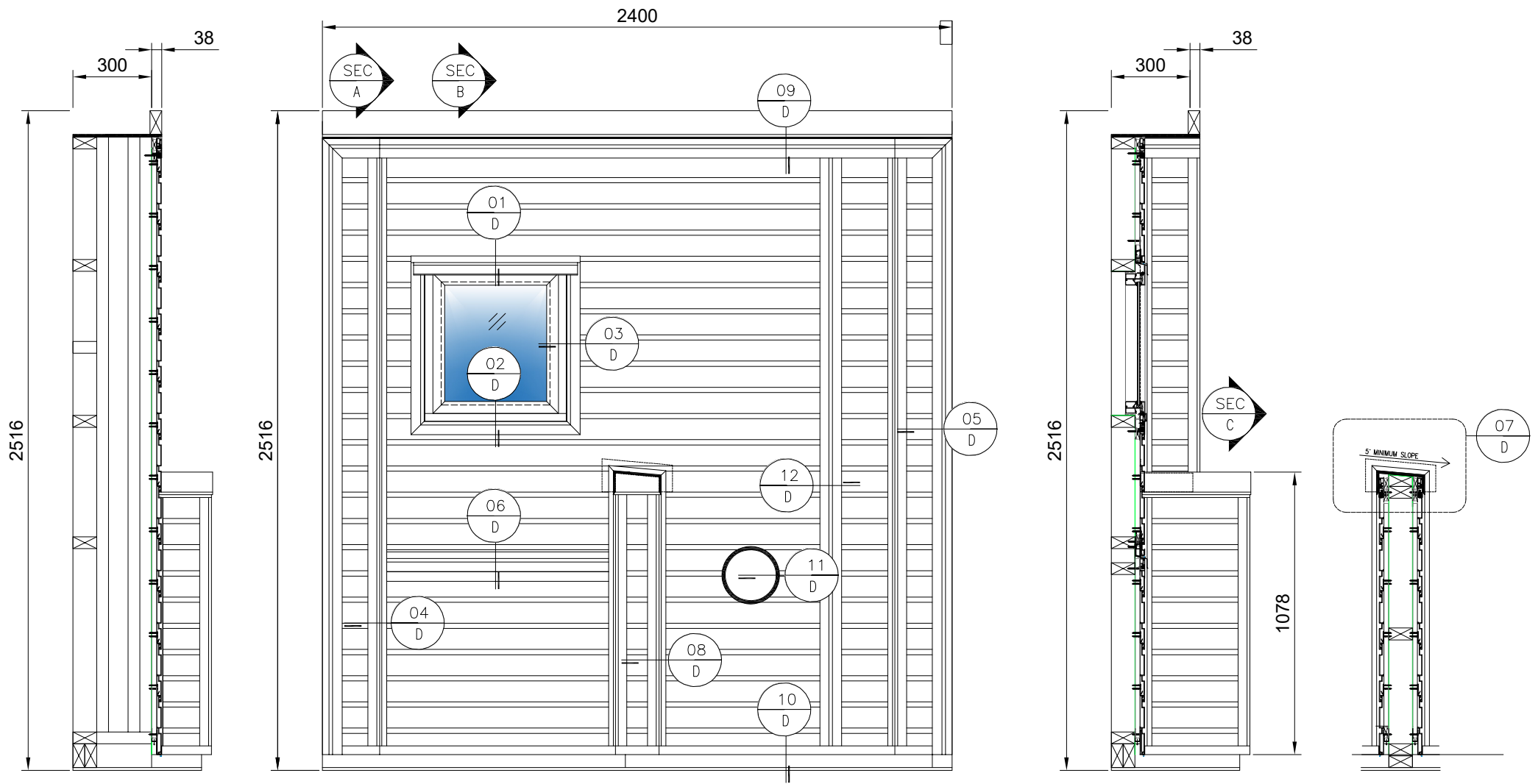
Archimax AM 100 Horizontal Weatherboard

Cavity System

Scale: NTS

HW00

Rev : 05



SECTION A

ELEVATION

SECTION B

SECTION C



Archimax Limited

16 Ha Crescent, Wiri 2104 New Zealand

www.archimax.co.nz

@ ARCHIMAX CLADDING - All Rights Reserved

Elevation / Sections

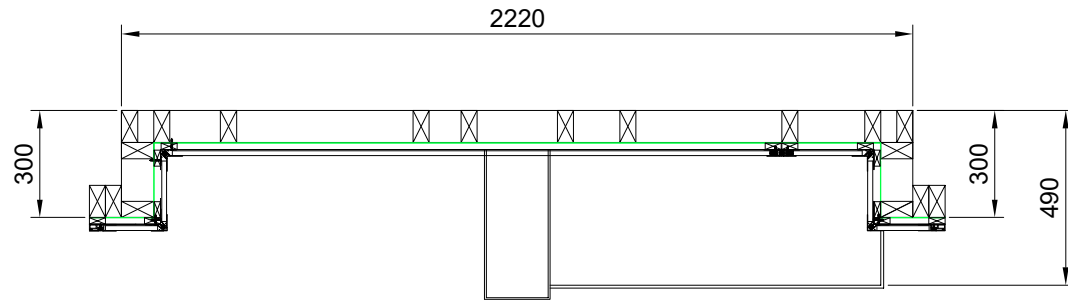
Archimax AM 100 Horizontal Weatherboard

Cavity System

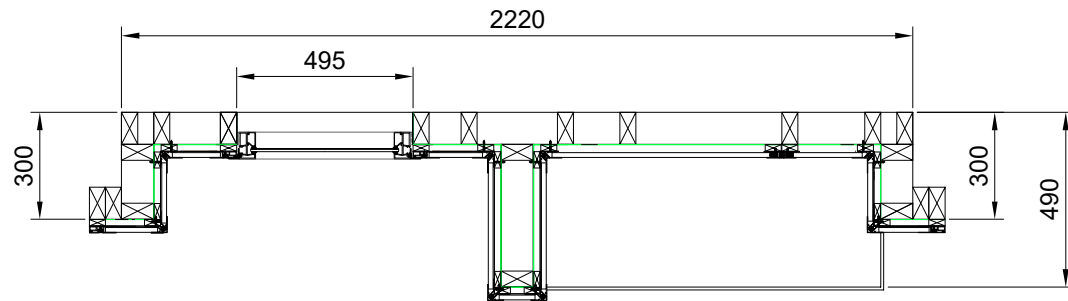
Scale: NTS

HW01

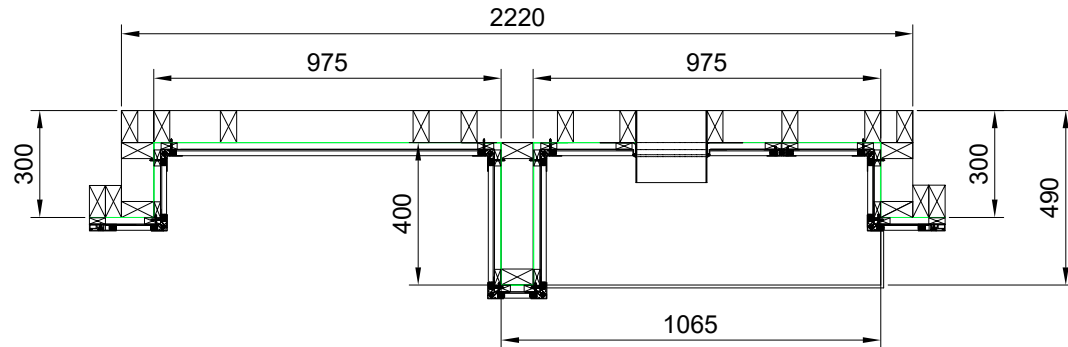
Rev : 05



PLAN (TOP)



PLAN (@ WINDOW)



PLAN (BOTTOM)

NOTE:

- MAXIMUM NOG/STUD & BATTEN SPACING @ 600mm CENTERS (AS PER NZS 3604 FOR STRUCTURE AND E2/AS1 FOR ROOF & WALL CLADDING)
- CAVITY BATTENS FIXED TO STUD/NOGS @ 600mm CENTERS
- WIND ZONES AND/OR APPLIED PRESSURES:
EXTRA HIGH – STUDS/NOGS @ 400mm CENTERS (STEEL)
VERY HIGH – STUDS/NOGS @ 600mm CENTERS
- CAVITY BATTENS MAY REQUIRE MACHINING, PACKER/SHIMS TO ENSURE BOARDS ARE FITTED FLAT WITHOUT DISTORSION
- UNDERLAY ISOLATOR STRIPS REQUIRED BETWEEN BATTENS & ALUMINIUM CLADDING (ONLY IF TREATED TIMBER IS USED AS BATTENS)
- CAVITY CLOSERS REQUIRED. DRAINED & VENTED CAVITY AS PER NZBC E2/AS1



ARCHIMAX CLADDING

Archimax Limited

16 Ha Crescent, Wiri 2104 New Zealand

www.archimax.co.nz

@ ARCHIMAX CLADDING - All Rights Reserved

Plans

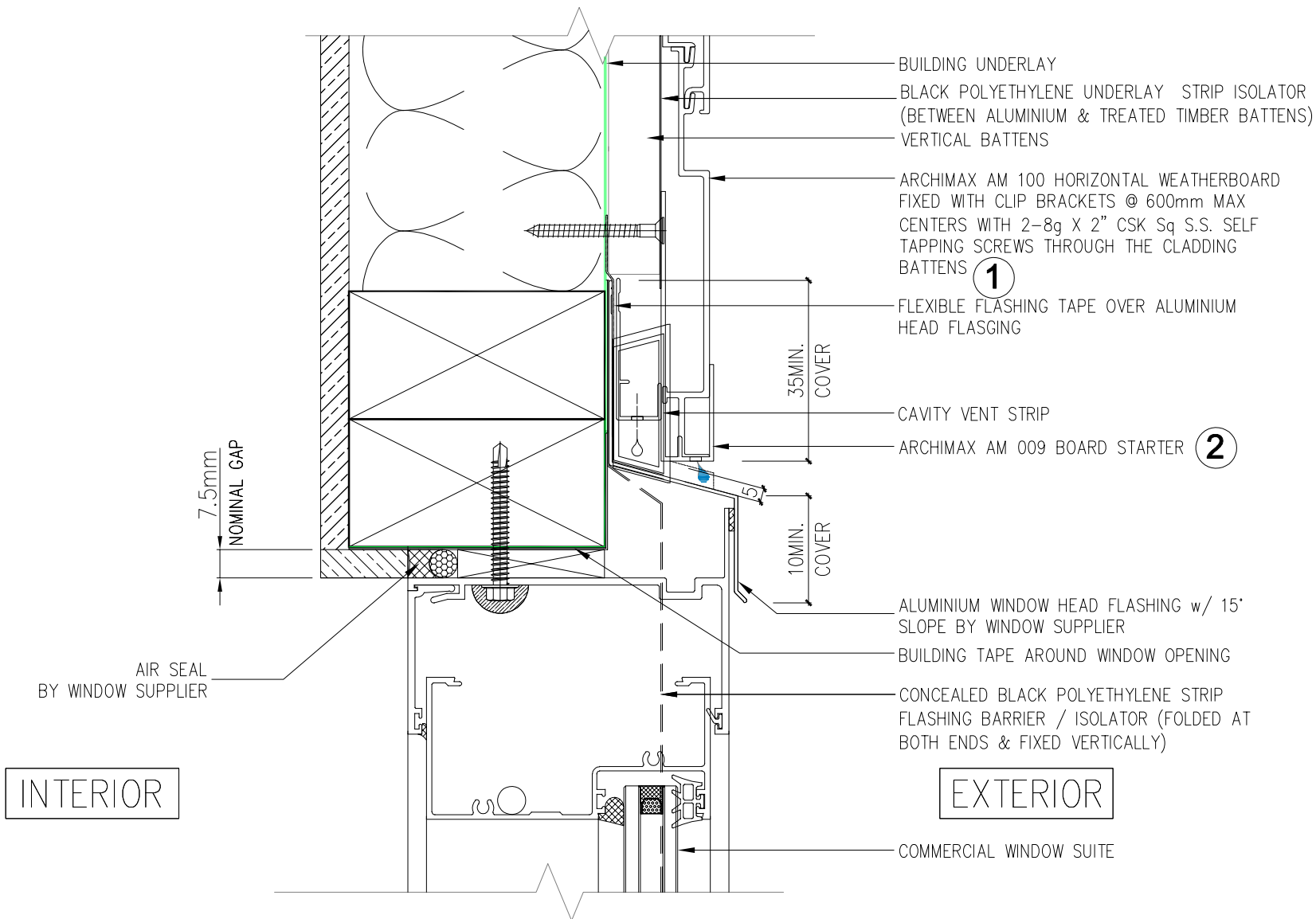
Archimax AM 100 Horizontal Weatherboard

Cavity System

Scale: NTS

HW02

Rev : 05



Archimax Limited

16 Ha Crescent, Wiri 2104 New Zealand
 www.archimax.co.nz
 @ ARCHIMAX CLADDING - All Rights Reserved

Window Head Detail

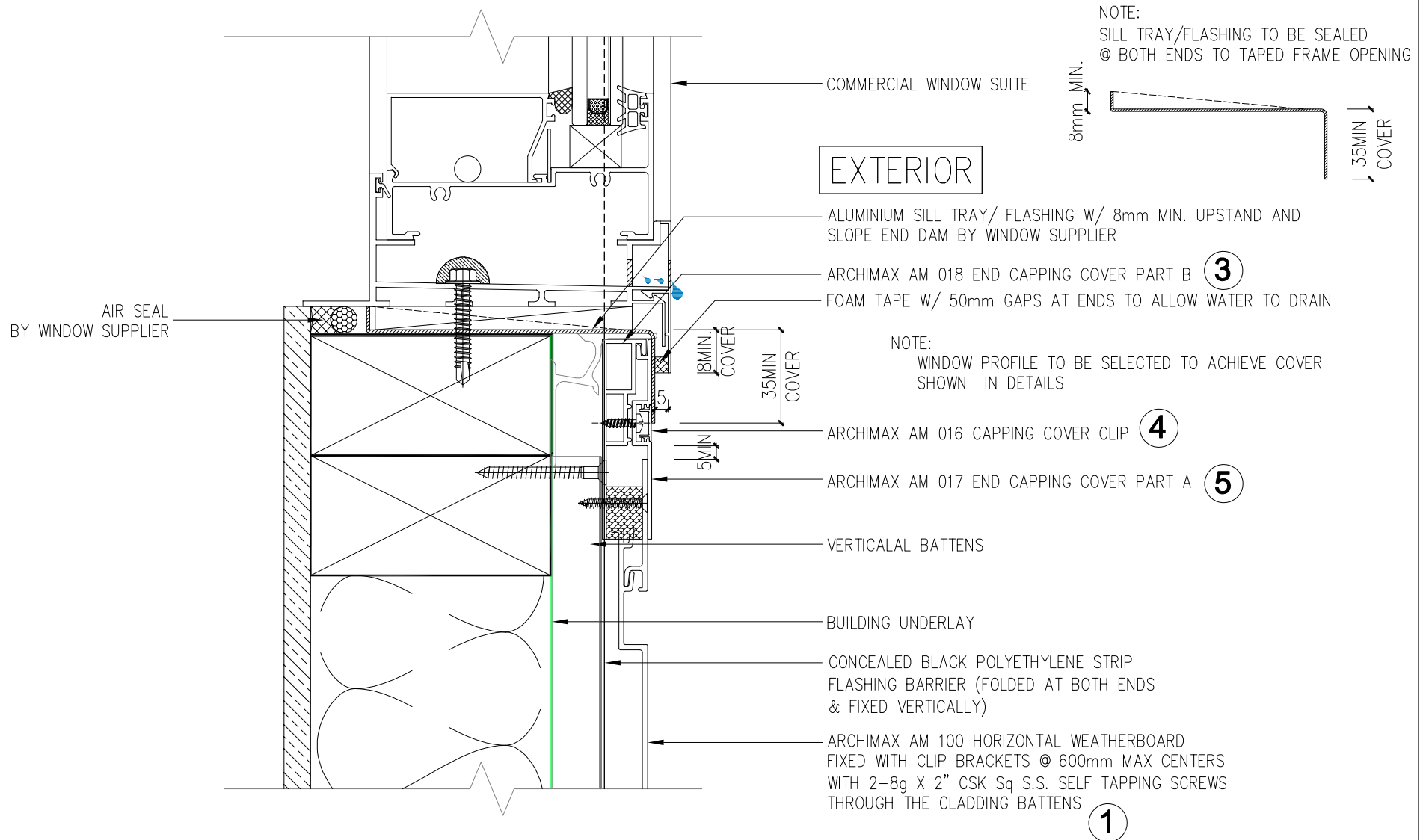
Archimax AM 100 - Horizontal Weatherboard

Cavity System

Scale: NTS

D01

Rev : 05



ARCHIMAX CLADDING

Archimax Limited

16 Ha Crescent, Wiri 2104 New Zealand

www.archimax.co.nz

@ ARCHIMAX CLADDING - All Rights Reserved

Window Sill Detail

Archimax AM 100 - Horizontal Weatherboard

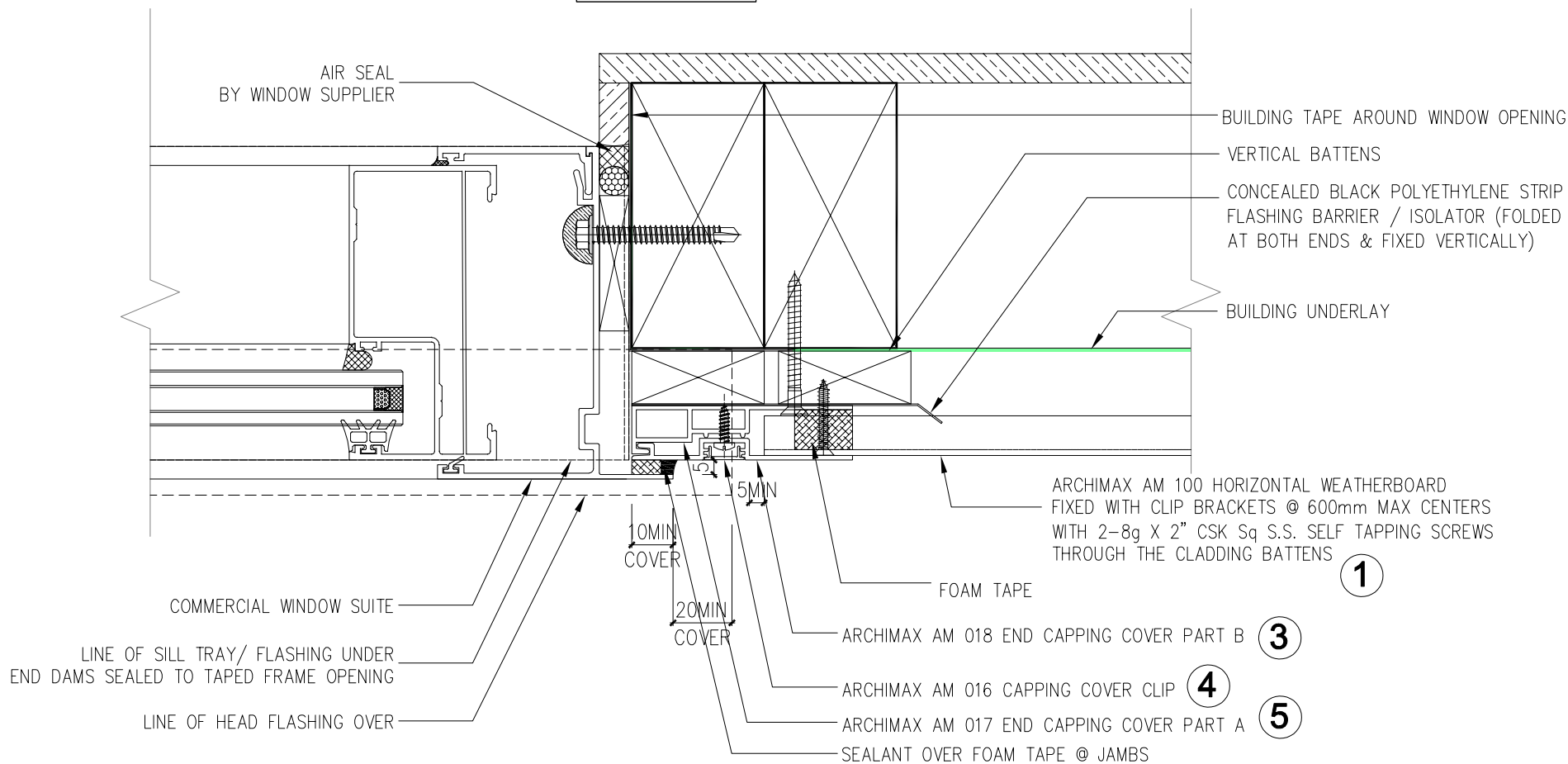
Cavity System

Scale: NTS

D02

Rev : 05

INTERIOR



EXTERIOR



Archimax Limited

16 Ha Crescent, Wiri 2104 New Zealand
www.archimax.co.nz
 @ ARCHIMAX CLADDING - All Rights Reserved

Window Jamb Detail

Archimax AM 100 - Horizontal Weatherboard

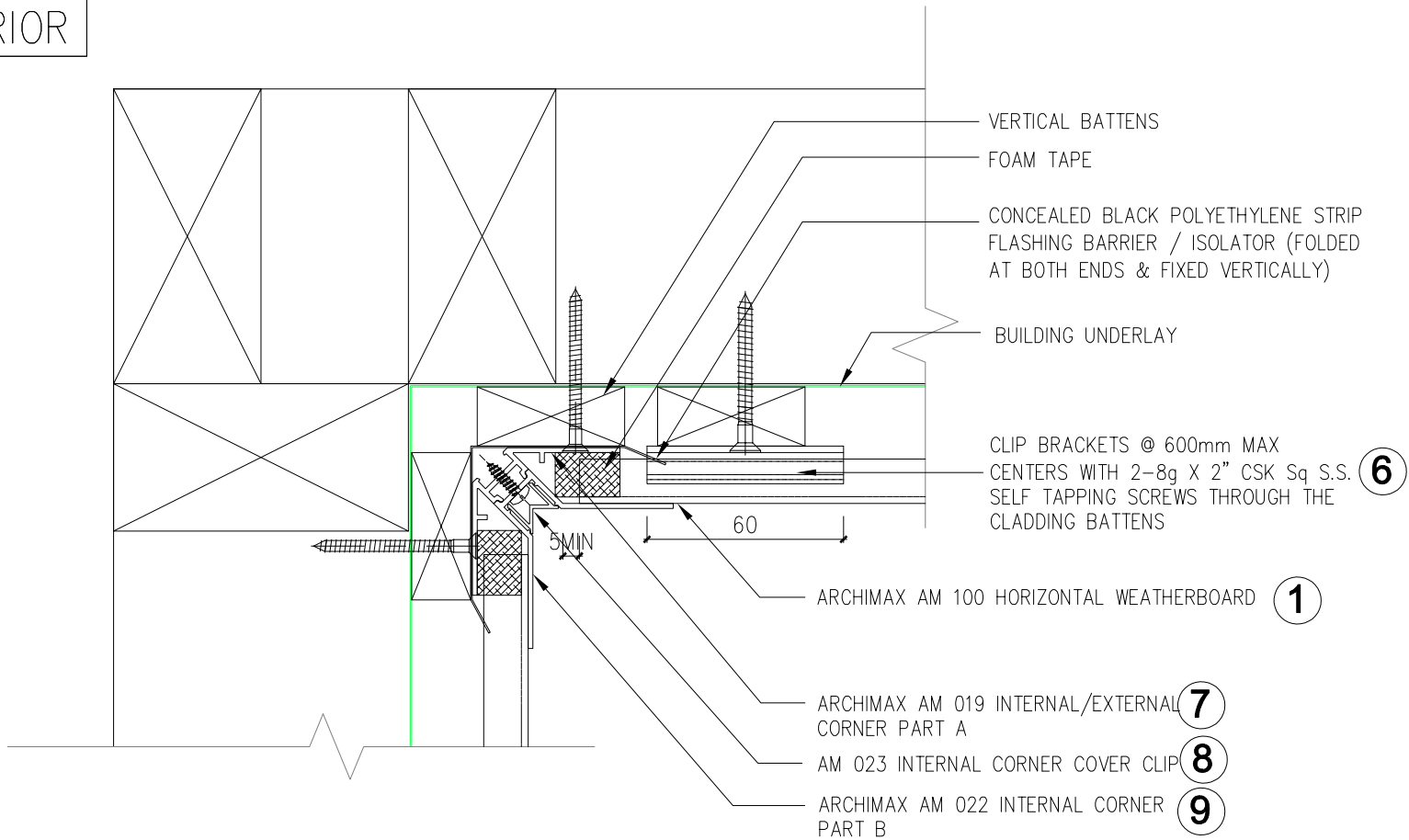
Cavity System

Scale: NTS

D03

Rev : 05

INTERIOR



EXTERIOR



Archimax Limited

16 Ha Crescent, Wiri 2104 New Zealand
www.archimax.co.nz
@ ARCHIMAX CLADDING - All Rights Reserved

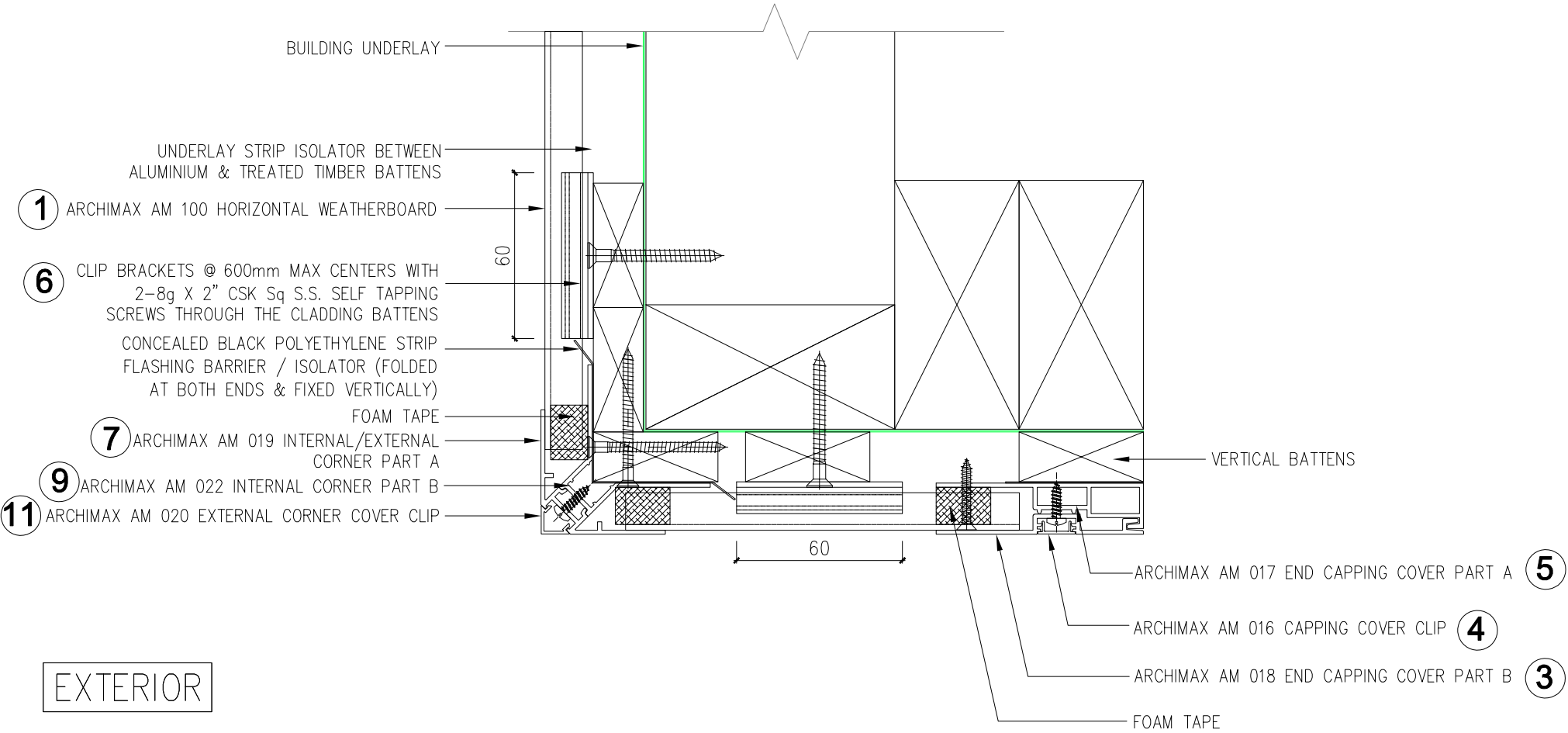
**Internal Corner Detail
Archimax AM 100 - Horizontal Weatherboard**

**Cavity System
Scale: NTS**

D04

Rev : 05

INTERIOR



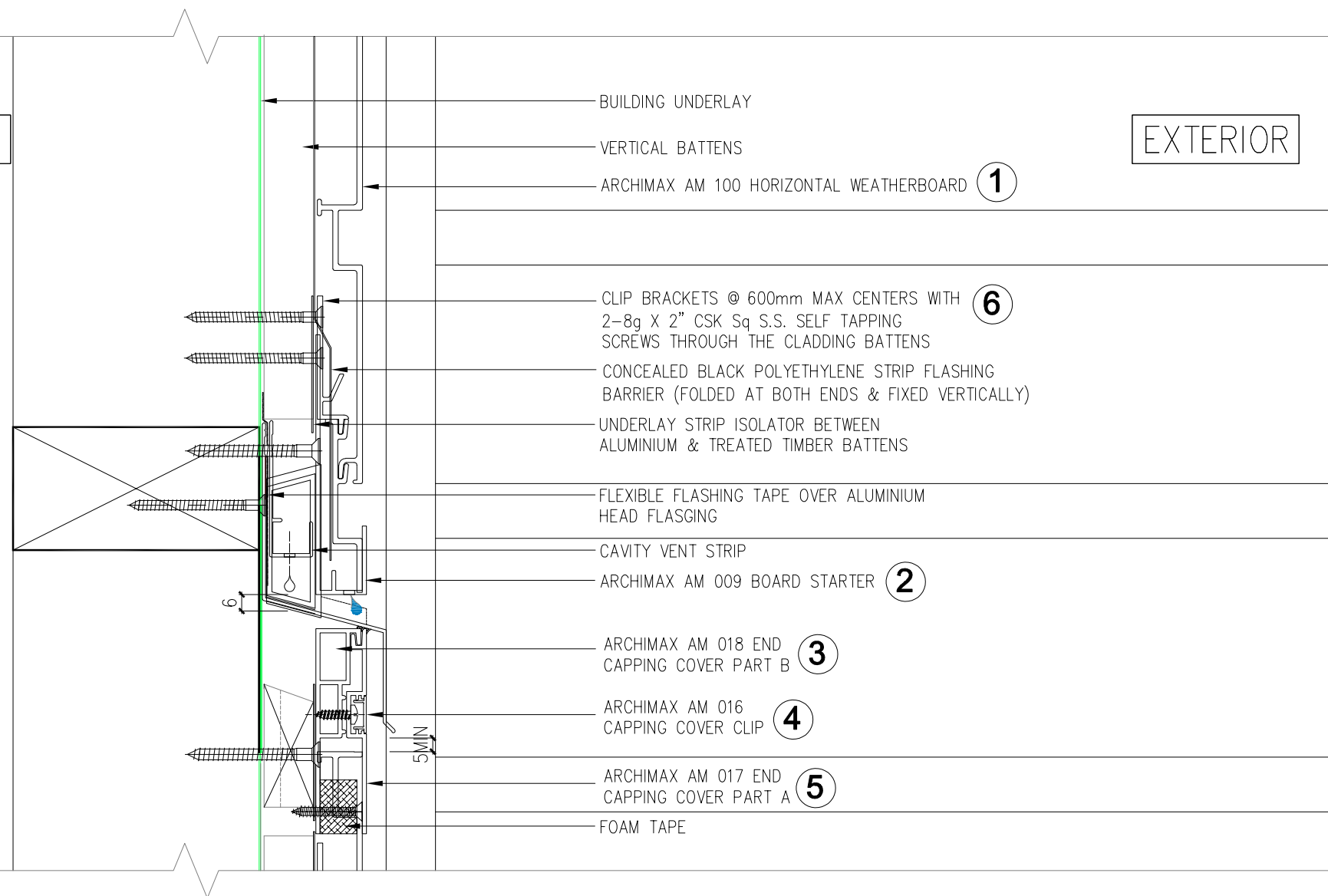
Archimax Limited
 16 Ha Crescent, Wiri 2104 New Zealand
www.archimax.co.nz
 @ ARCHIMAX CLADDING - All Rights Reserved

External Corner Detail
Archimax AM 100 - Horizontal Weatherboard
 Cavity System
 Scale: NTS

D05
 Rev : 05

INTERIOR

EXTERIOR



BUILDING UNDERLAY

VERTICAL BATTENS

ARCHIMAX AM 100 HORIZONTAL WEATHERBOARD (1)

CLIP BRACKETS @ 600mm MAX CENTERS WITH 2-8g X 2" CSK Sq S.S. SELF TAPPING SCREWS THROUGH THE CLADDING BATTENS (6)

CONCEALED BLACK POLYETHYLENE STRIP FLASHING BARRIER (FOLDED AT BOTH ENDS & FIXED VERTICALLY)

UNDERLAY STRIP ISOLATOR BETWEEN ALUMINIUM & TREATED TIMBER BATTENS

FLEXIBLE FLASHING TAPE OVER ALUMINIUM HEAD FLASHING

CAVITY VENT STRIP

ARCHIMAX AM 009 BOARD STARTER (2)

ARCHIMAX AM 018 END CAPPING COVER PART B (3)

ARCHIMAX AM 016 CAPPING COVER CLIP (4)

ARCHIMAX AM 017 END CAPPING COVER PART A (5)

FOAM TAPE

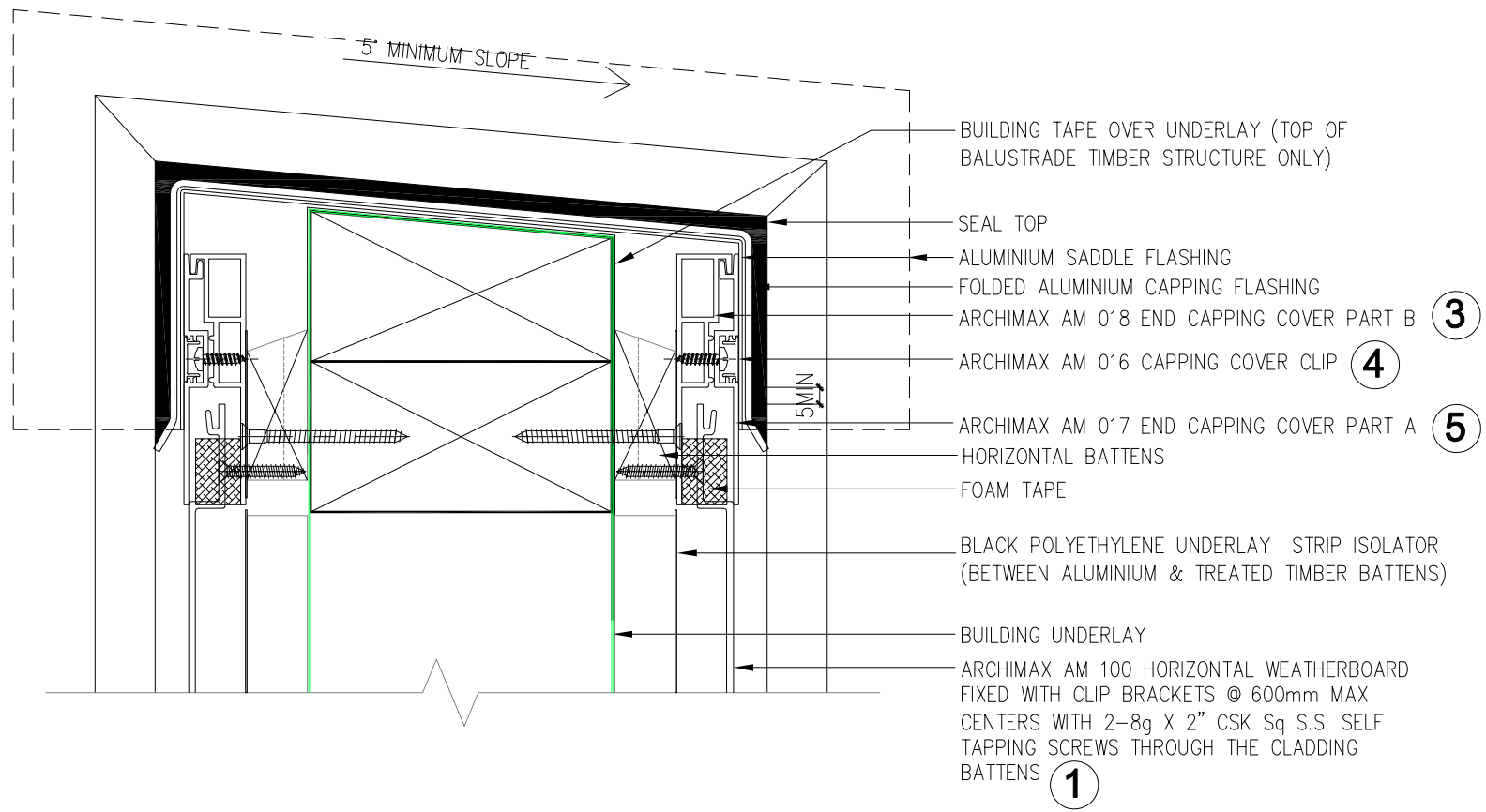
5mm



Archimax Limited
 16 Ha Crescent, Wiri 2104 New Zealand
www.archimax.co.nz
 @ ARCHIMAX CLADDING - All Rights Reserved

Horizontal Joint Detail
Archimax AM 100 - Horizontal Weatherboard
Cavity System
 Scale: NTS

D06
 Rev : 05



Archimax Limited

16 Ha Crescent, Wiri 2104 New Zealand
 www.archimax.co.nz
 @ ARCHIMAX CLADDING - All Rights Reserved

Balustrade Detail

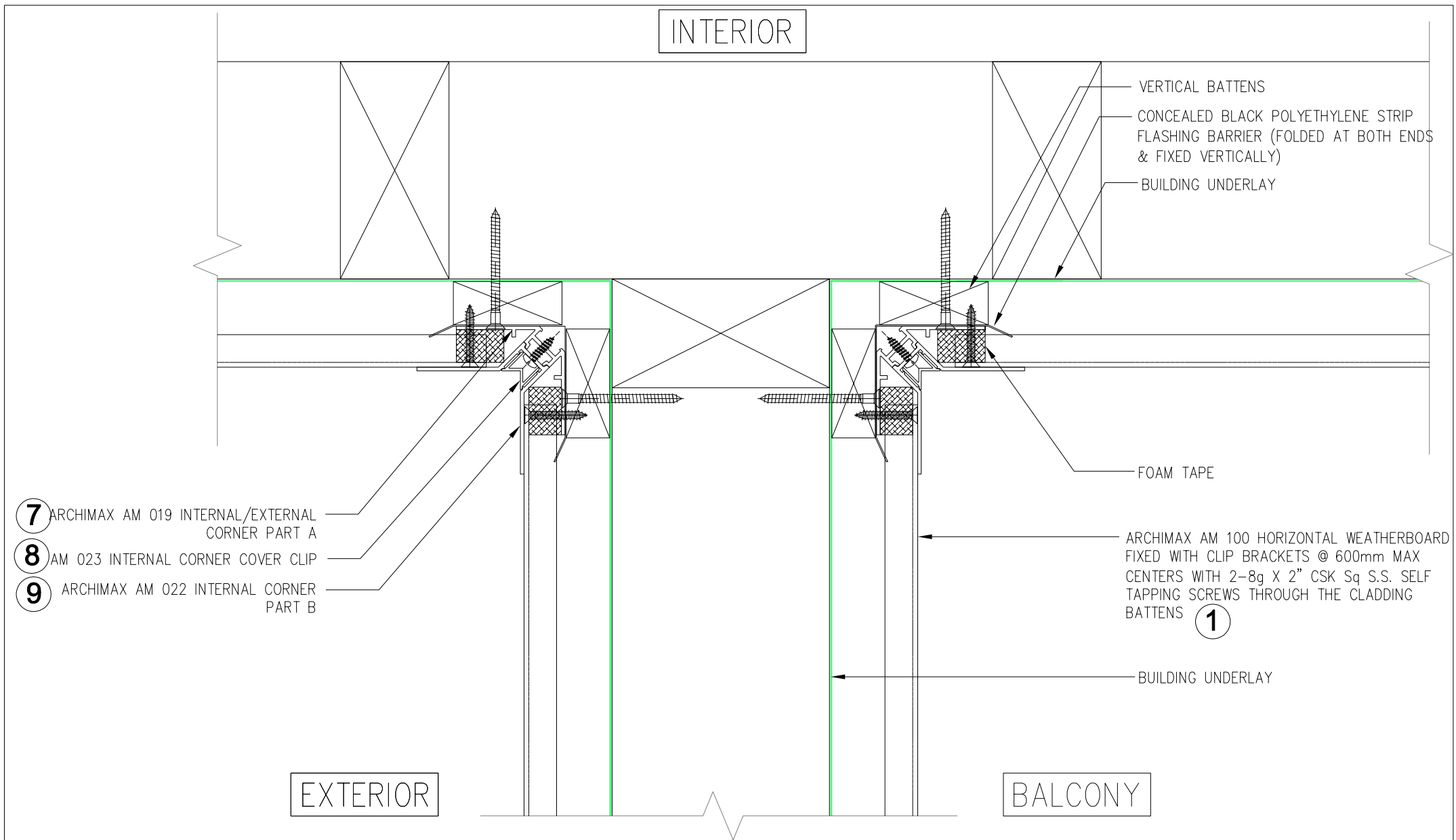
Archimax AM 100 - Horizontal Weatherboard

Cavity System

Scale: NTS

D07

Rev : 05




ARCHIMAX CLADDING

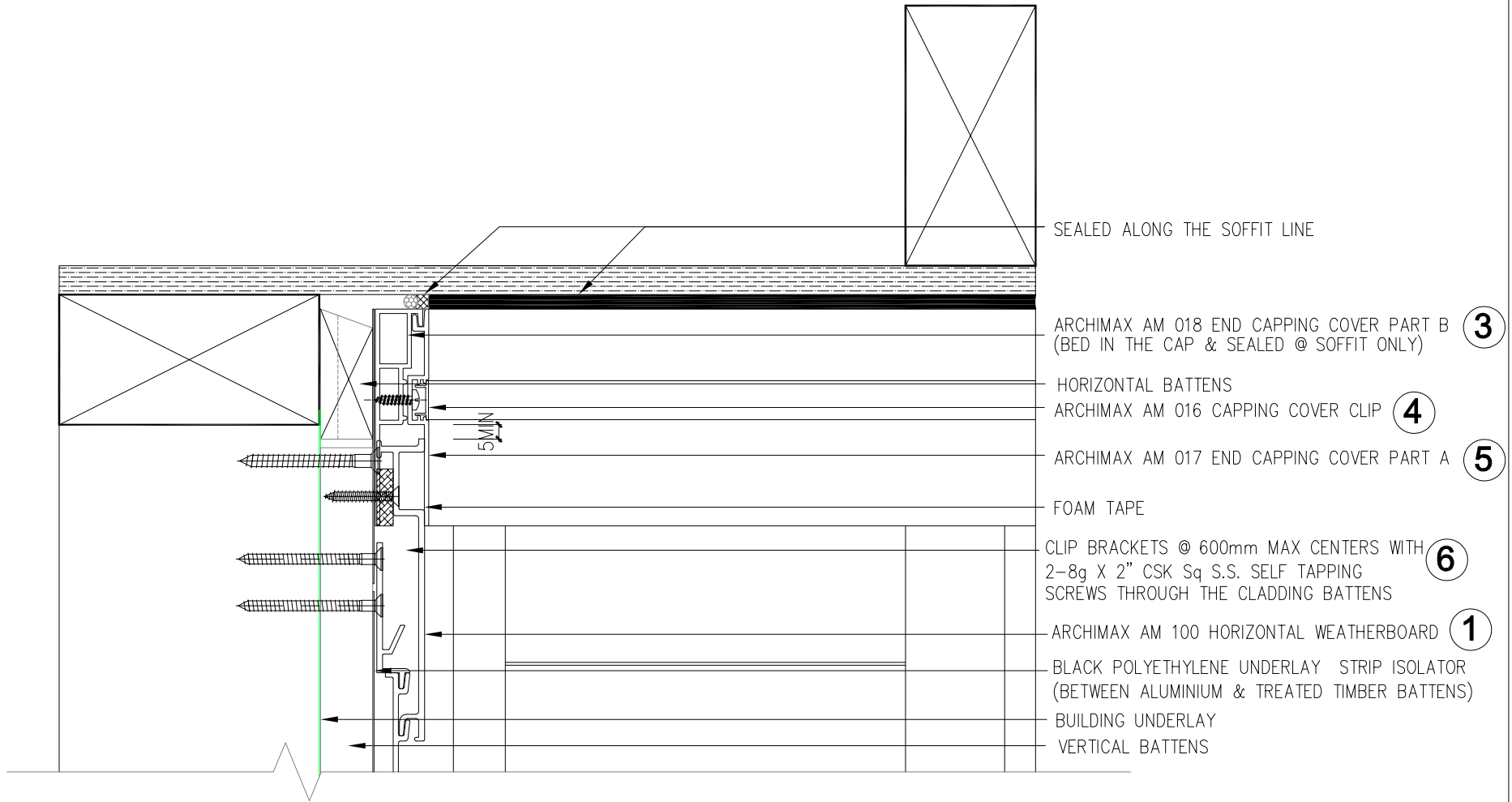
Archimax Limited
 16 Ha Crescent, Wiri 2104 New Zealand
www.archimax.co.nz
 @ ARCHIMAX CLADDING - All Rights Reserved

Balustrade Junction Detail
Archimax AM 100 - Horizontal Weatherboard

Cavity System
 Scale: NTS

D08

Rev : 05



Archimax Limited

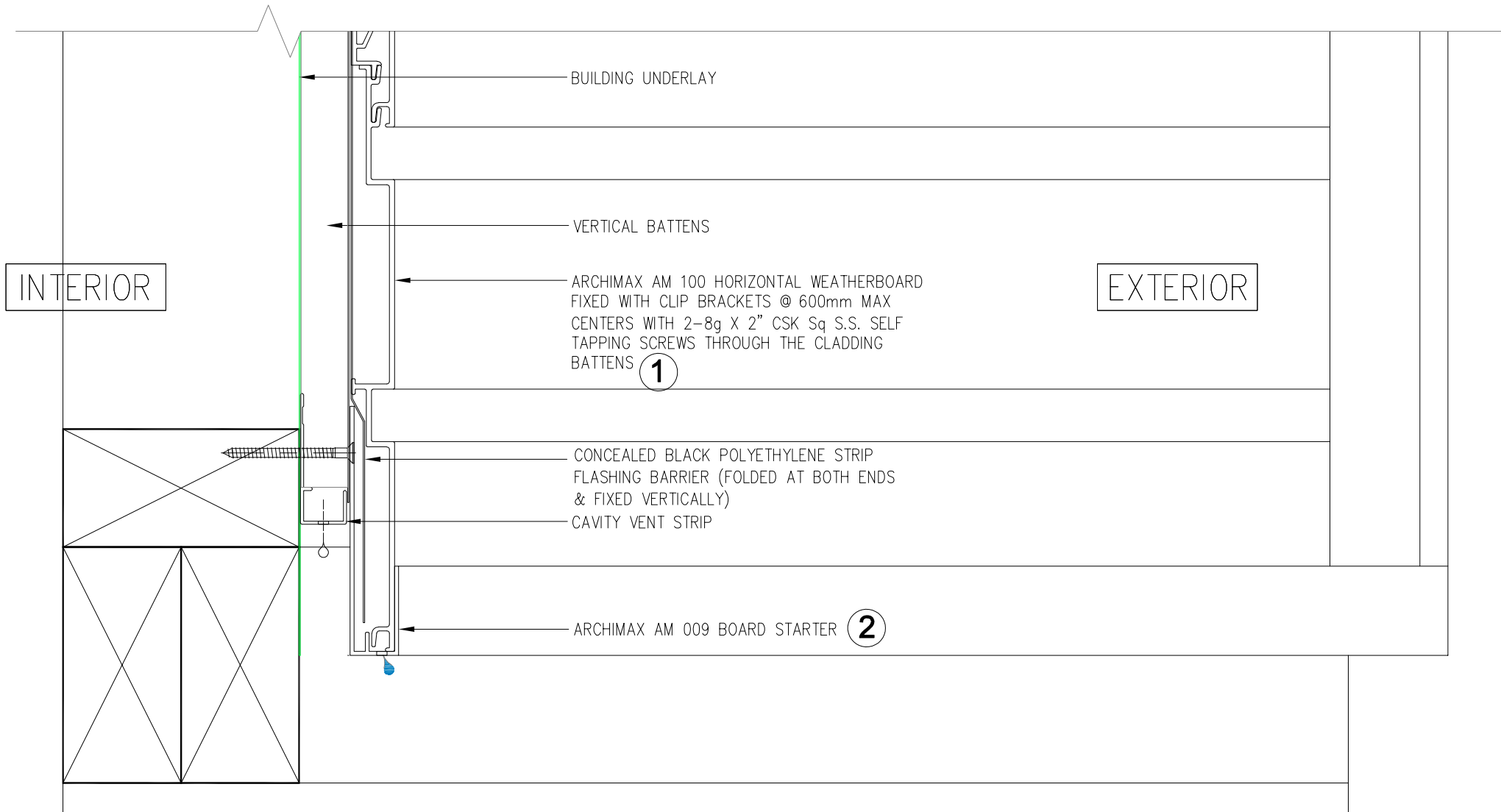
16 Ha Crescent, Wiri 2104 New Zealand
www.archimax.co.nz
 @ ARCHIMAX CLADDING - All Rights Reserved

Soffit Detail
Archimax AM 100 - Horizontal Weatherboard

Cavity System
 Scale: NTS

D09

Rev : 05



Archimax Limited

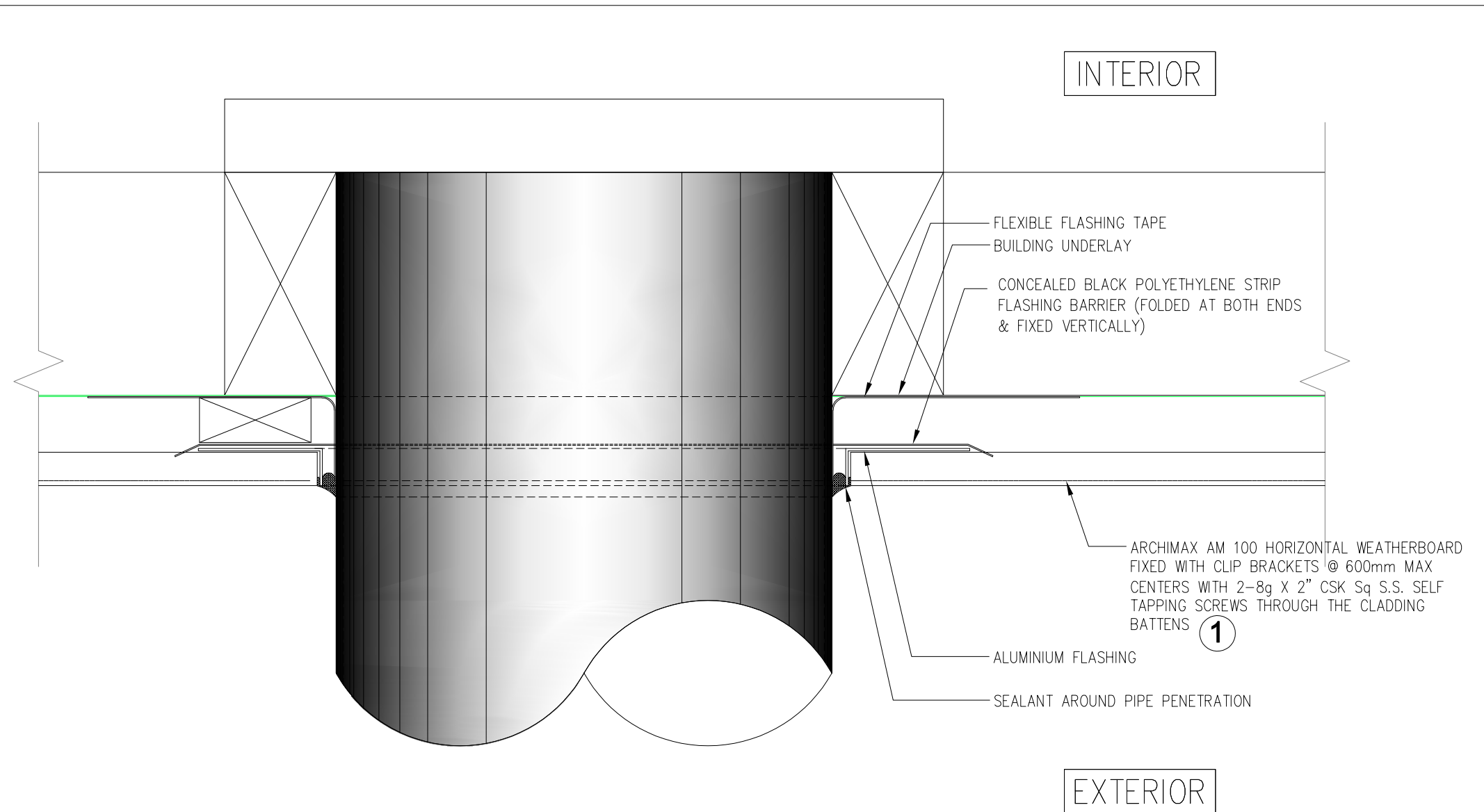
16 Ha Crescent, Wiri 2104 New Zealand
www.archimax.co.nz
 @ ARCHIMAX CLADDING - All Rights Reserved

**Bottom Detail
 Archimax AM 100 - Horizontal Weatherboard**

**Cavity System
 Scale: NTS**

D10

Rev : 05



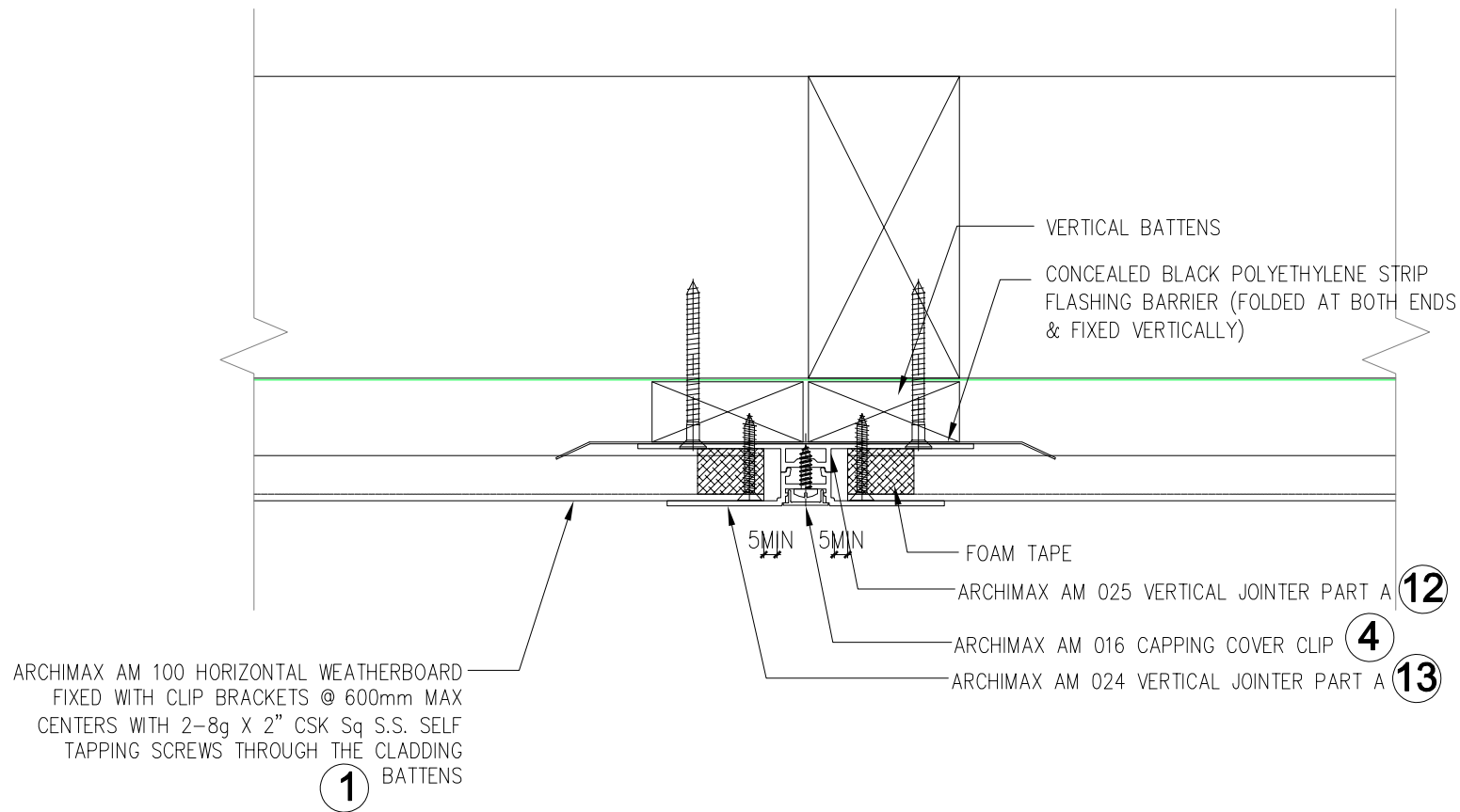
Archimax Limited
 16 Ha Crescent, Wiri 2104 New Zealand
www.archimax.co.nz
 @ ARCHIMAX CLADDING - All Rights Reserved

Pipe Penetration Detail
Archimax AM 100 - Horizontal Weatherboard

Cavity System
 Scale: NTS

D11

Rev : 05



Archimax Limited

16 Ha Crescent, Wiri 2104 New Zealand
www.archimax.co.nz
 @ ARCHIMAX CLADDING - All Rights Reserved

Vertical Joint Detail

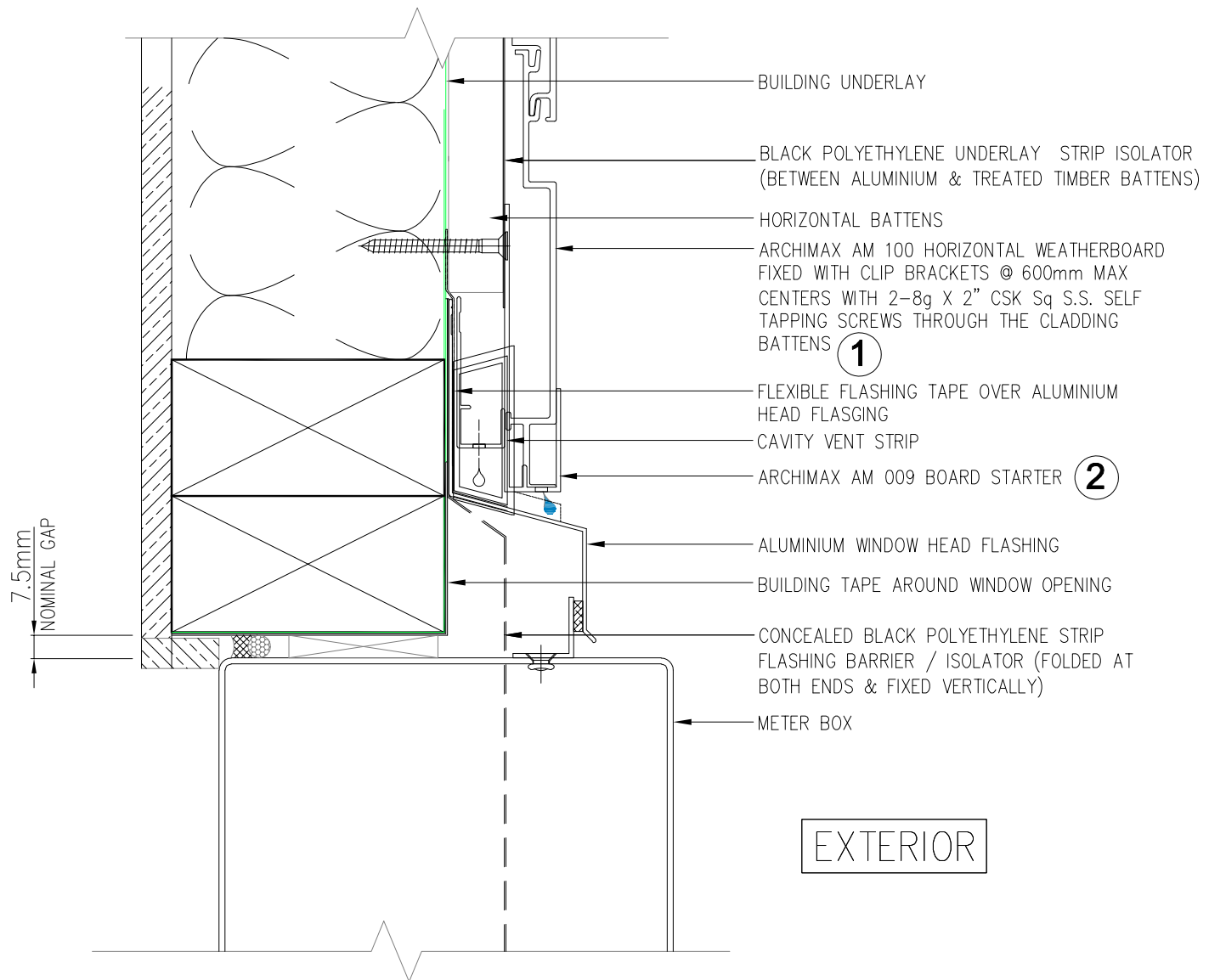
Archimax AM 100 - Horizontal Weatherboard

Cavity System

Scale: NTS

D12

Rev : 05



BUILDING UNDERLAY

BLACK POLYETHYLENE UNDERLAY STRIP ISOLATOR
(BETWEEN ALUMINIUM & TREATED TIMBER BATTENS)

HORIZONTAL BATTENS

ARCHIMAX AM 100 HORIZONTAL WEATHERBOARD
FIXED WITH CLIP BRACKETS @ 600mm MAX
CENTERS WITH 2-8g X 2" CSK Sq S.S. SELF
TAPPING SCREWS THROUGH THE CLADDING
BATTENS ①

FLEXIBLE FLASHING TAPE OVER ALUMINIUM
HEAD FLASHING

CAVITY VENT STRIP

ARCHIMAX AM 009 BOARD STARTER ②

ALUMINIUM WINDOW HEAD FLASHING

BUILDING TAPE AROUND WINDOW OPENING

CONCEALED BLACK POLYETHYLENE STRIP
FLASHING BARRIER / ISOLATOR (FOLDED AT
BOTH ENDS & FIXED VERTICALLY)

METER BOX

7.5mm
NOMINAL GAP

INTERIOR

EXTERIOR



Archimax Limited

16 Ha Crescent, Wiri 2104 New Zealand

www.archimax.co.nz

@ ARCHIMAX CLADDING - All Rights Reserved

Meter Box Head

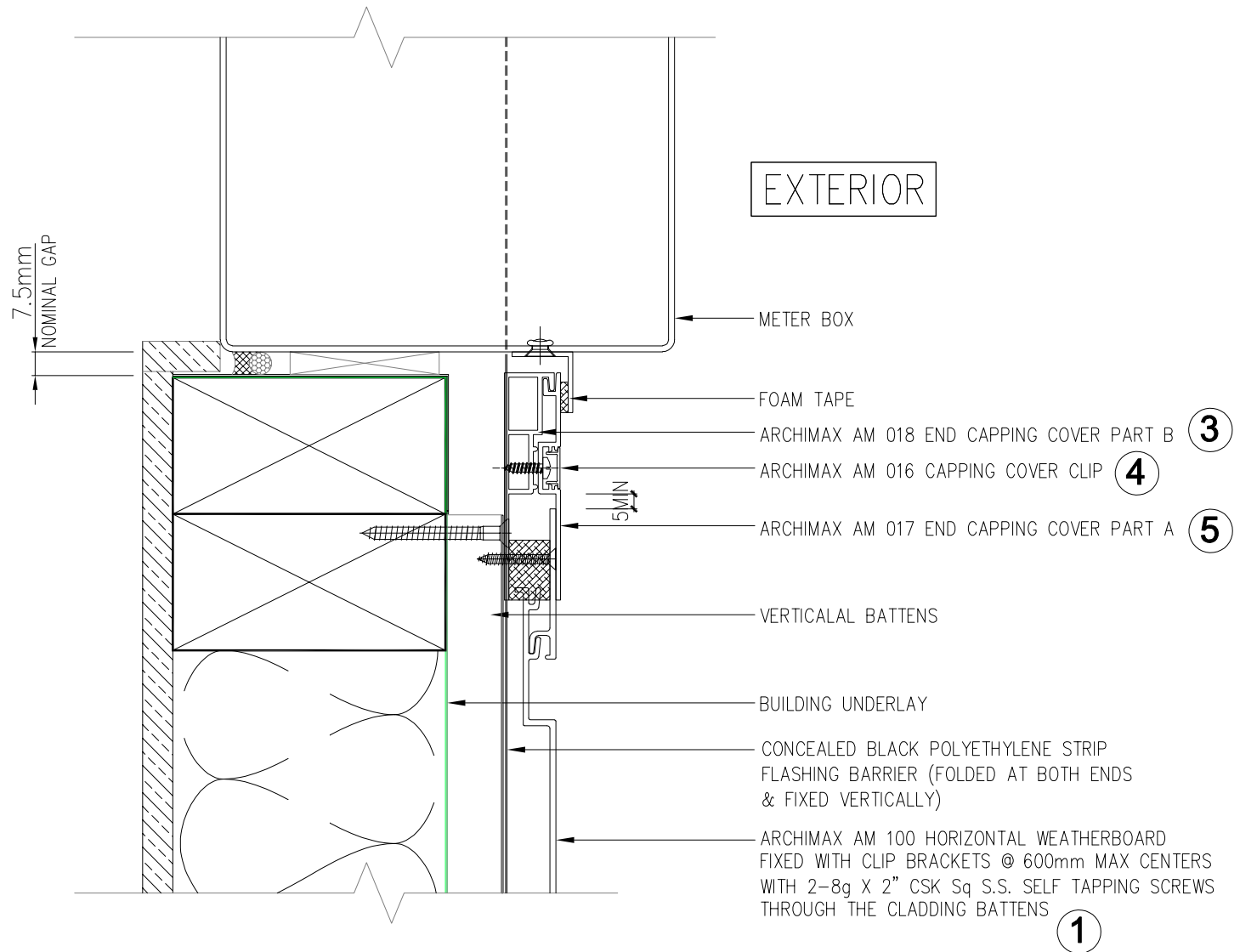
Archimax AM 100 - Horizontal Weatherboard

Cavity System

Scale: NTS

D13

Rev : 05



Archimax Limited

16 Ha Crescent, Wiri 2104 New Zealand
www.archimax.co.nz
 @ ARCHIMAX CLADDING - All Rights Reserved

Meter Box Sill

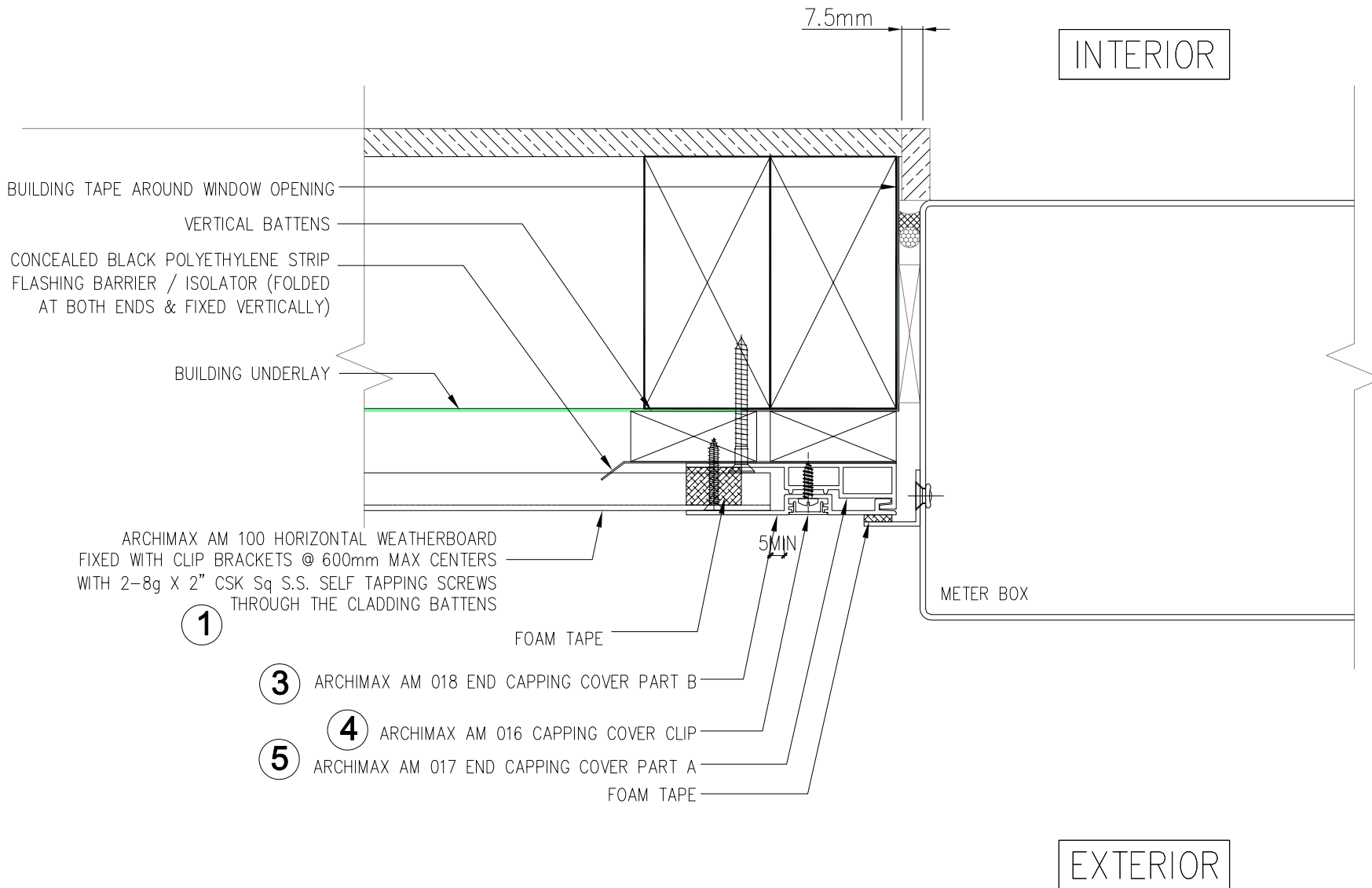
Archimax AM 100 - Horizontal Weatherboard

Cavity System

Scale: NTS

D14

Rev : 05



ARCHIMAX CLADDING

Archimax Limited

16 Ha Crescent, Wiri 2104 New Zealand

www.archimax.co.nz

@ ARCHIMAX CLADDING - All Rights Reserved

Meter Box Jamb

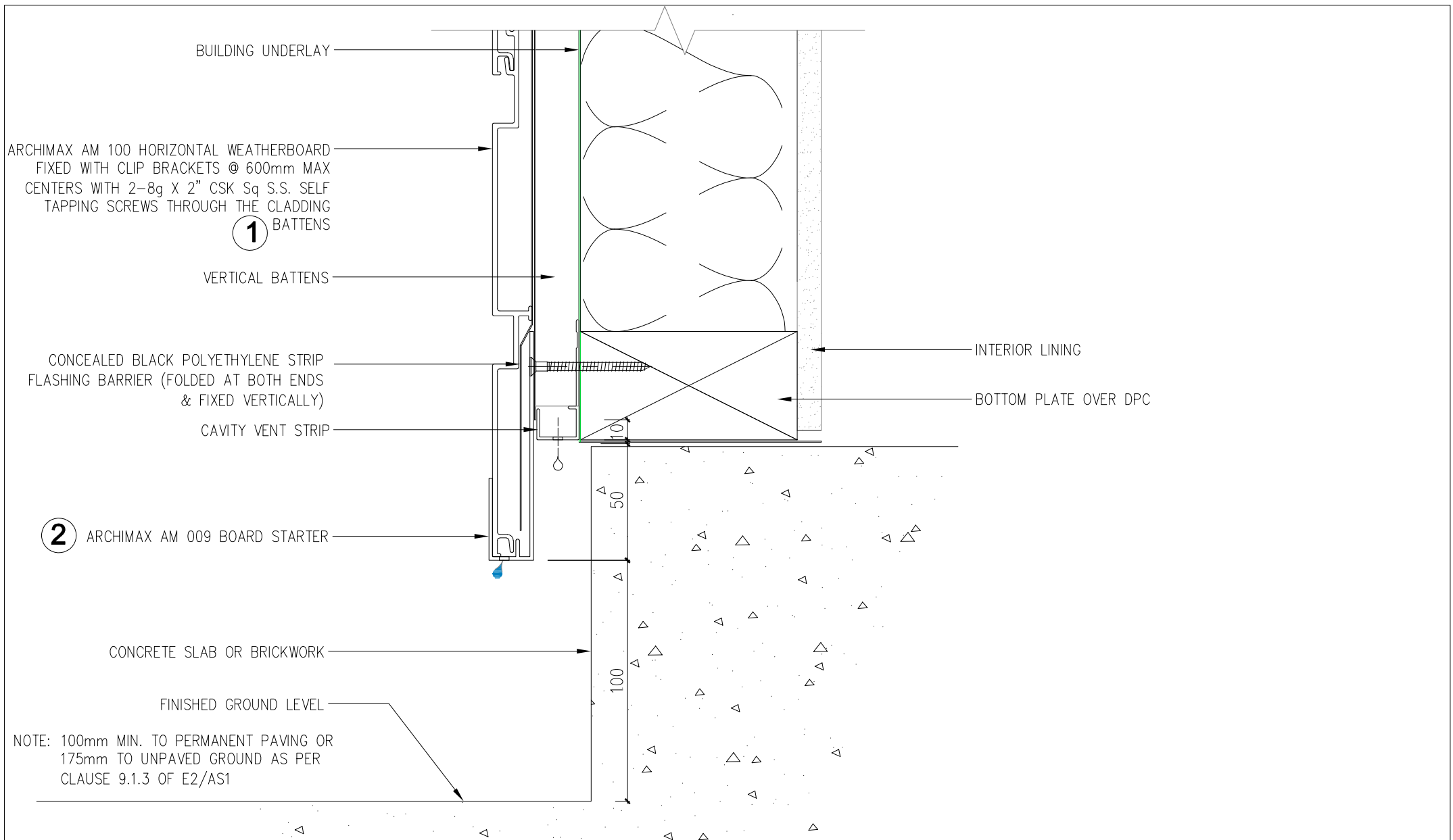
Archimax AM 100 - Horizontal Weatherboard

Cavity System

Scale: NTS

D15

Rev : 05



Archimax Limited

16 Ha Crescent, Wiri 2104 New Zealand

www.archimax.co.nz

@ ARCHIMAX CLADDING - All Rights Reserved

Concrete Floor Board Starter

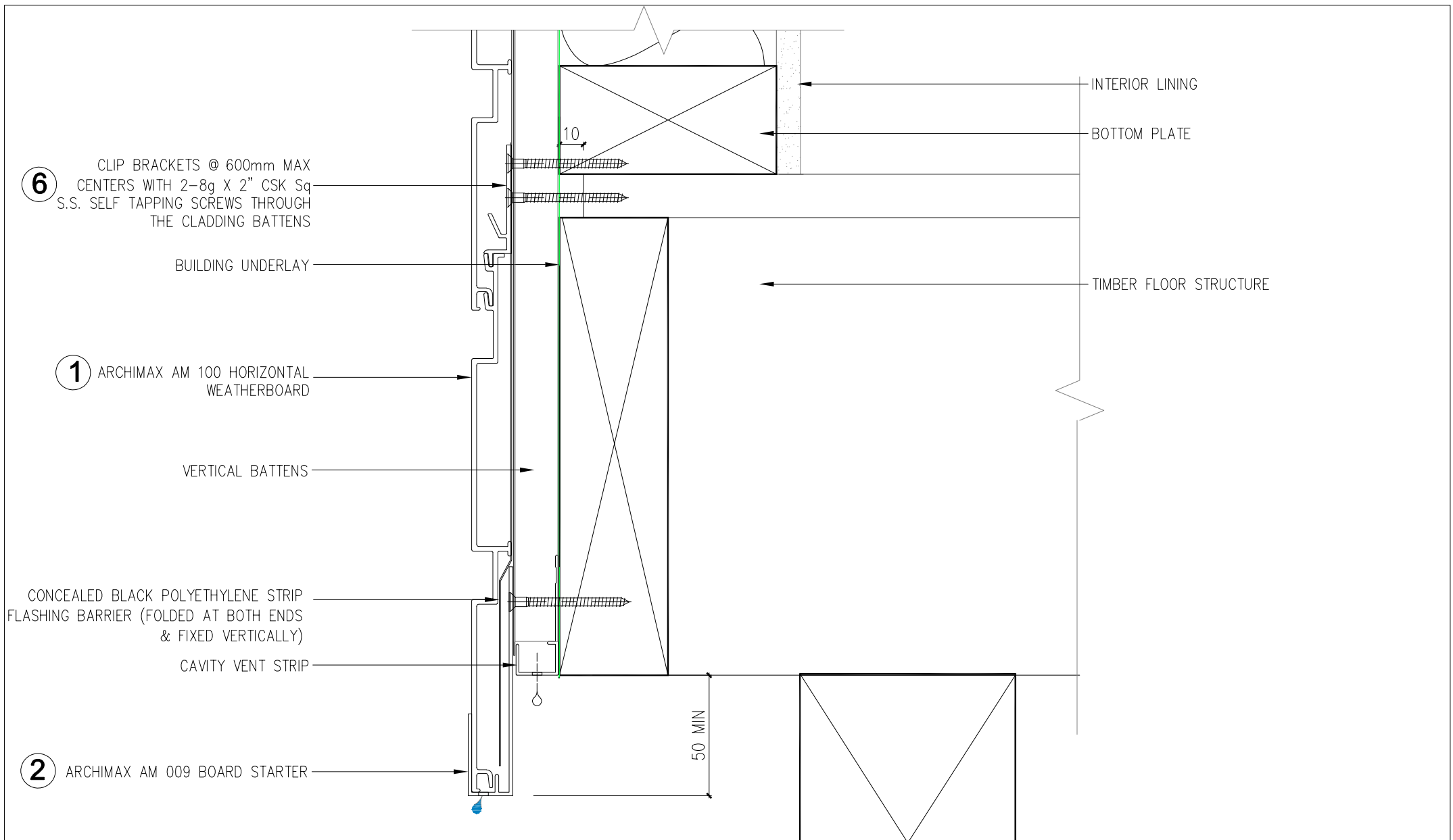
Archimax AM 100 - Horizontal Weatherboard

Cavity System

Scale: NTS

D16

Rev : 05



Archimax Limited

16 Ha Crescent, Wiri 2104 New Zealand

www.archimax.co.nz

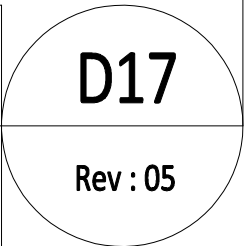
@ ARCHIMAX CLADDING - All Rights Reserved

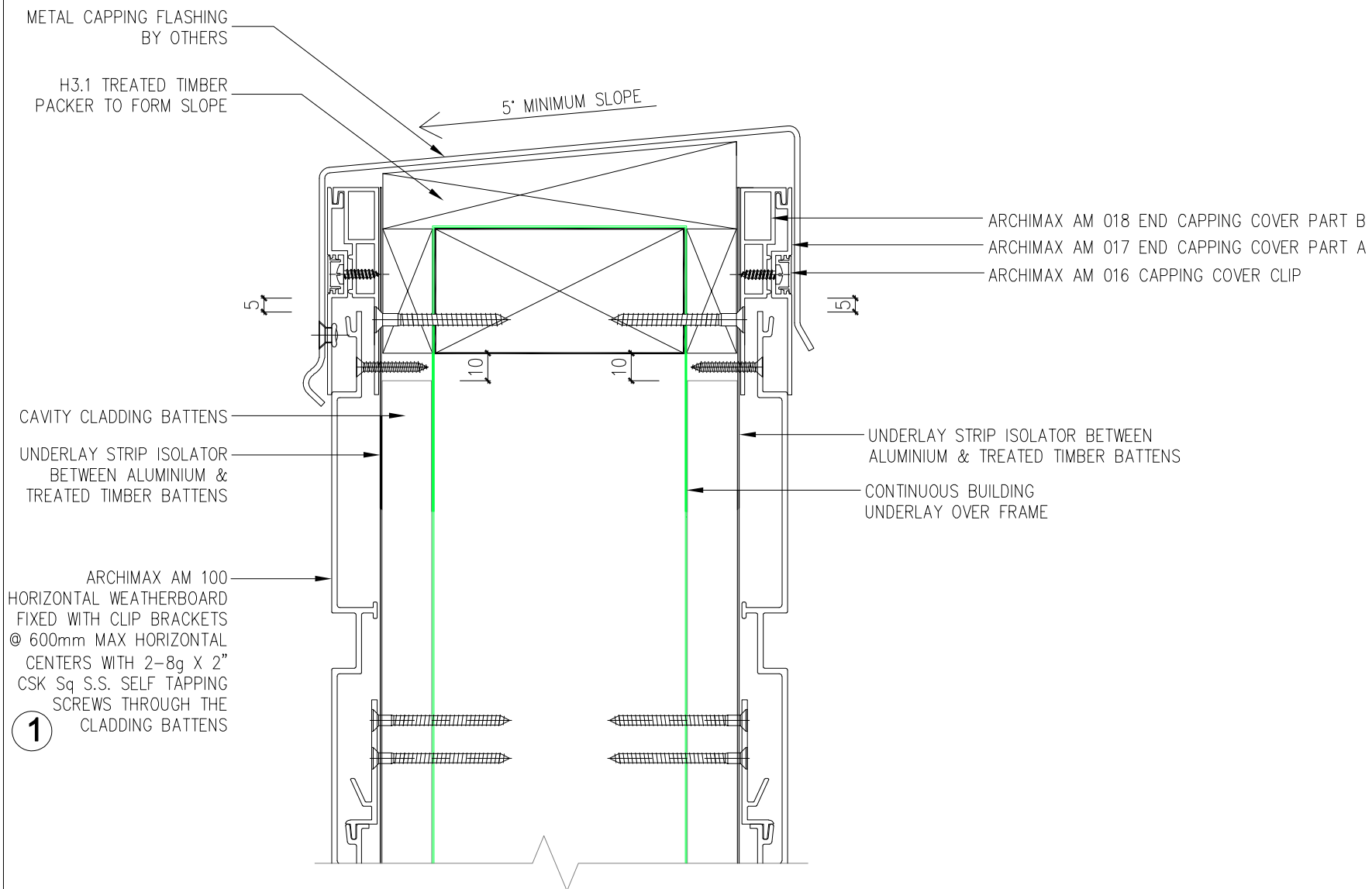
Parapet

Archimax AM 100 - Horizontal Weatherboard

Cavity System

Scale: NTS





Archimax Limited

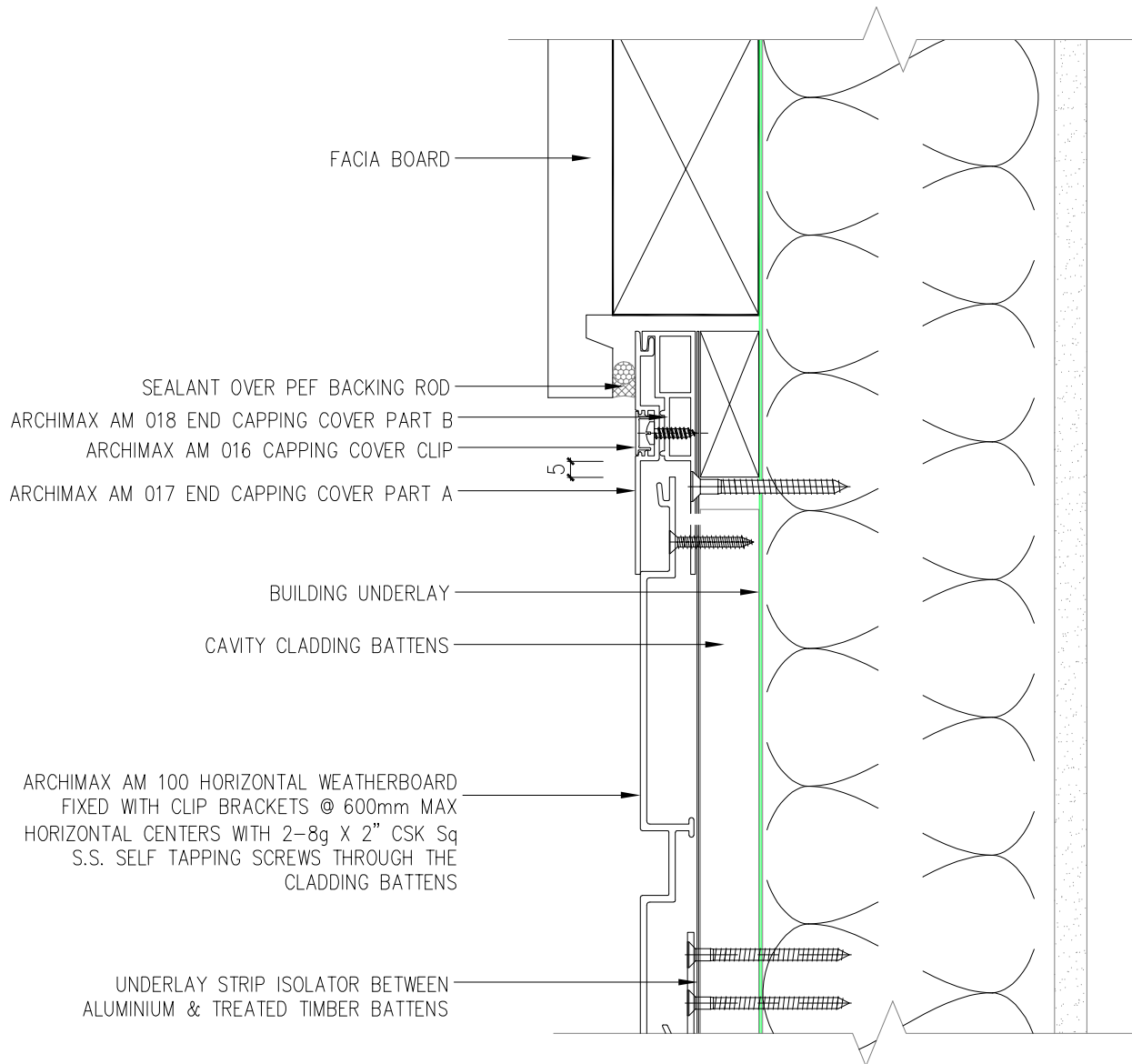
16 Ha Crescent, Wiri 2104 New Zealand
 www.archimax.co.nz
 @ ARCHIMAX CLADDING - All Rights Reserved

Parapet on Cavity
 Archimax AM 100 - Horizontal Weatherboard

Cavity System
 Scale: NTS

D18

Rev : 05



1

ARCHIMAX AM 100 HORIZONTAL WEATHERBOARD
 FIXED WITH CLIP BRACKETS @ 600mm MAX
 HORIZONTAL CENTERS WITH 2-8g X 2" CSK Sq
 S.S. SELF TAPPING SCREWS THROUGH THE
 CLADDING BATTENS



Archimax Limited

16 Ha Crescent, Wiri 2104 New Zealand

www.archimax.co.nz

@ ARCHIMAX CLADDING - All Rights Reserved

Non-Soffit

Archimax AM 100 - Horizontal Weatherboard

Cavity System

Scale: NTS

D19

Rev : 05

1

ARCHIMAX AM 100 HORIZONTAL WEATHERBOARD
FIXED WITH CLIP BRACKETS @ 600mm MAX
HORIZONTAL CENTERS WITH 2-8g X 2" CSK Sq
S.S. SELF TAPPING SCREWS THROUGH THE
CLADDING BATTENS

CAVITY CLADDING BATTENS

UNDERLAY STRIP ISOLATOR BETWEEN
ALUMINIUM & TREATED TIMBER BATTENS

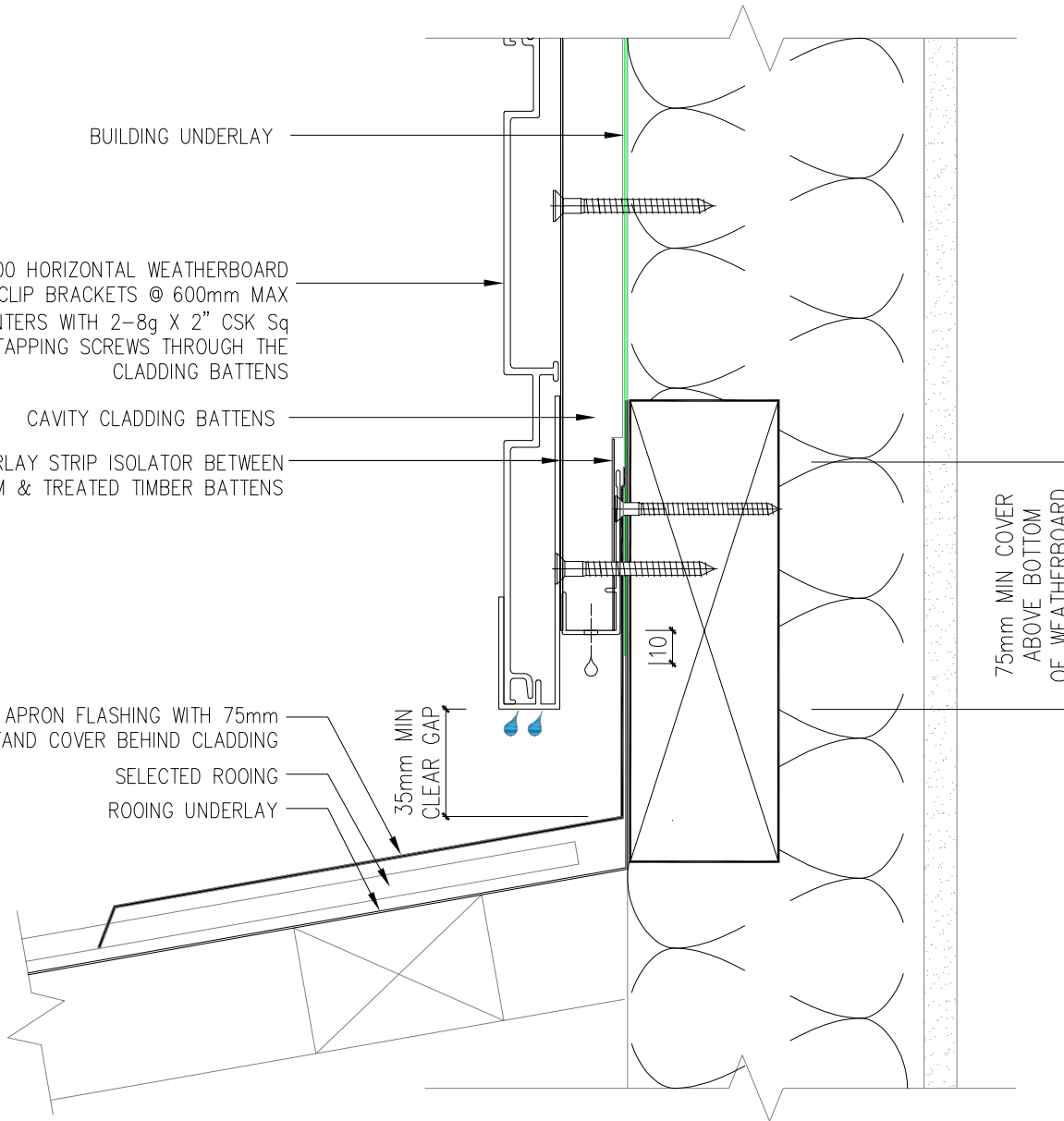
APRON FLASHING WITH 75mm
UPSTAND COVER BEHIND CLADDING

SELECTED ROOFING
ROOFING UNDERLAY

35mm MIN
CLEAR GAP

10

75mm MIN COVER
ABOVE BOTTOM
OF WEATHERBOARD



ARCHIMAX CLADDING

Archimax Limited

16 Ha Crescent, Wiri 2104 New Zealand

www.archimax.co.nz

@ ARCHIMAX CLADDING - All Rights Reserved

Roof-Wall Junction

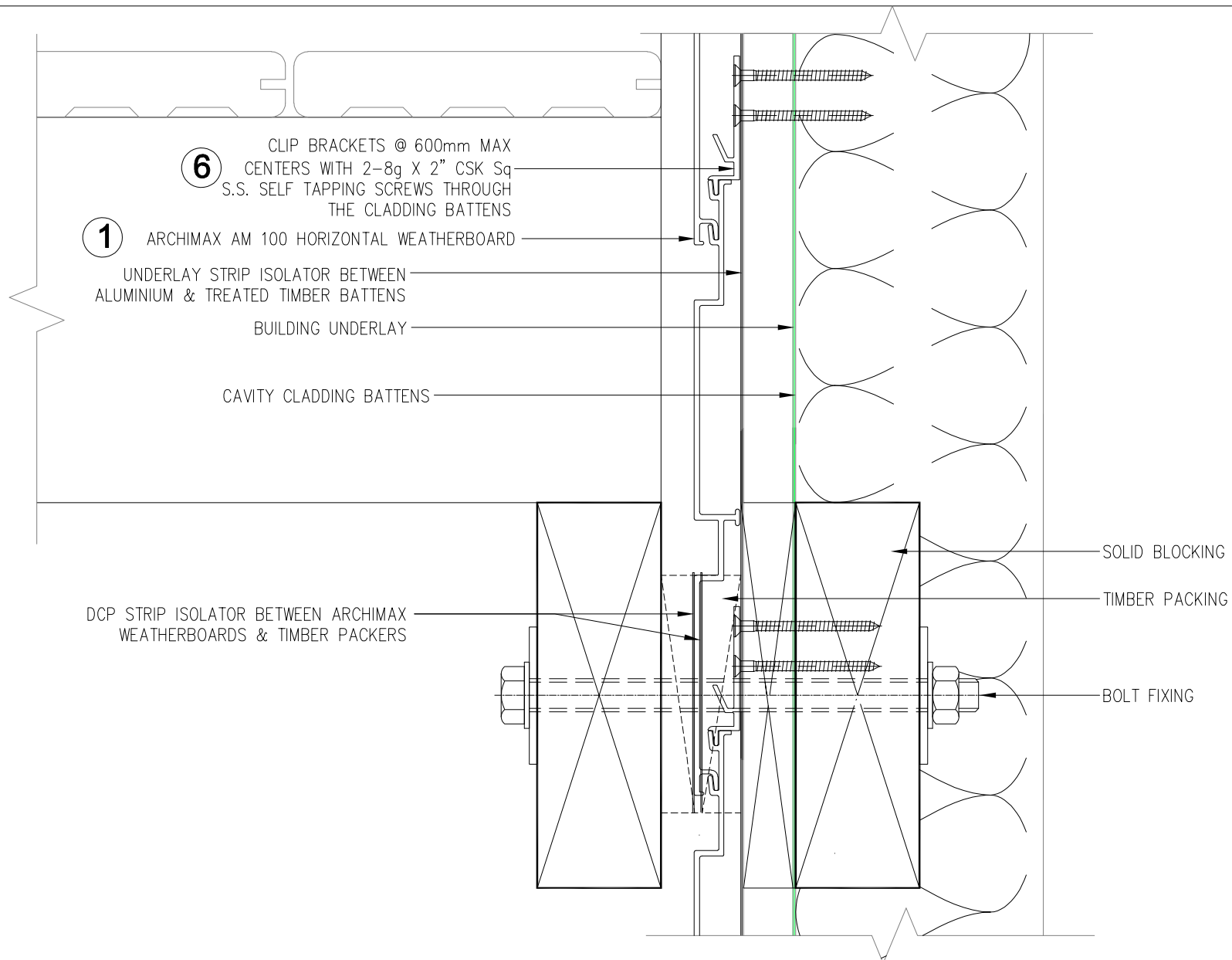
Archimax AM 100 - Horizontal Weatherboard

Cavity System

Scale: NTS

D20

Rev : 05



Archimax Limited

16 Ha Crescent, Wiri 2104 New Zealand
www.archimax.co.nz

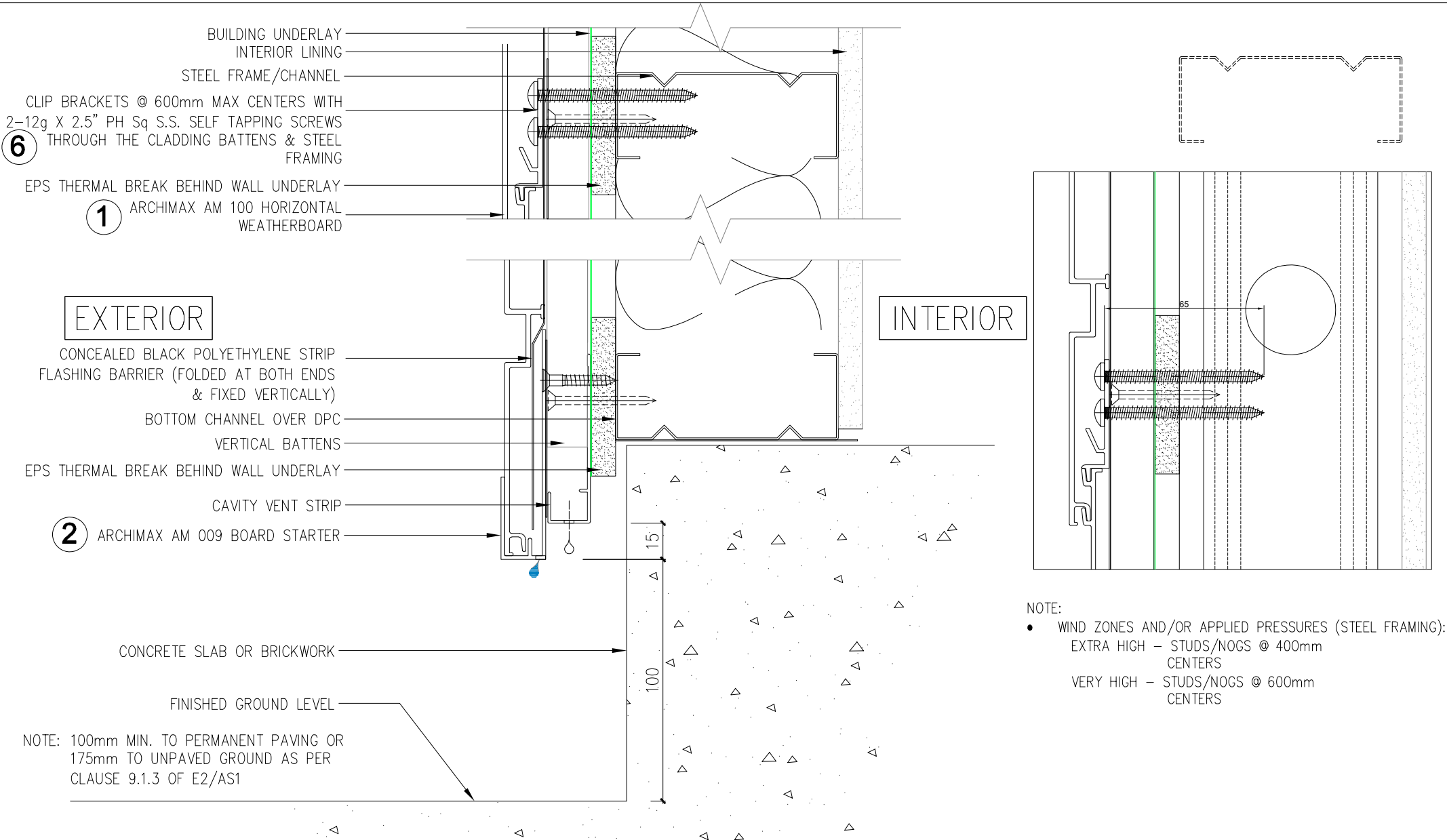
@ ARCHIMAX CLADDING - All Rights Reserved

Deck Junction
Archimax AM 100 - Horizontal Weatherboard

Cavity System
Scale: NTS

D21

Rev : 05



Archimax Limited

16 Ha Crescent, Wiri 2104 New Zealand

www.archimax.co.nz

@ ARCHIMAX CLADDING - All Rights Reserved

Steel Stud/Nogs Details

Archimax AM 100 - Horizontal Weatherboard

Cavity System

Scale: NTS

D22

Rev : 05

<p>1</p>	<p>2</p>	<p>3</p>	<p>4</p>	<p>5</p>	<p>6</p>	<p>7</p>	<p>8</p>
<p>AM 009 BOARD STARTER</p>	<p>AM 018 END CAPPING PART B</p>	<p>AM 016 JOINTER / JAMB / SILL CAPPING COVER CLIP</p>	<p>AM 017 END CAPPING PART A</p>	<p>AM 029 CLIP BRACKET</p>	<p>AM 019 INTERNAL/EXTERNAL CORNER PART A</p>	<p>AM 023 INTERNAL CORNER COVER CLIP</p>	
<p>9</p>	<p>10</p>	<p>11</p>	<p>12</p>	<p>13</p>			
<p>AM 100 ARCHIMAX HORIZONTAL/ VERTICAL WEATHERBOARD</p>	<p>AM 022 INTERNAL CORNER PART B</p>	<p>AM 021 EXTERNAL CORNER PART B</p>	<p>AM 020 EXTERNAL CORNER COVER CLIP</p>	<p>AM 025 JOINTER PART A</p>	<p>AM 024 JOINTER PART B</p>		



Archimax Limited
 16 Ha Crescent, Wiri 2104 New Zealand
www.archimax.co.nz
 @ ARCHIMAX CLADDING - All Rights Reserved

Parts Profile
Archimax AM 100 - Horizontal Weatherboard

Cavity System
 Scale: NTS

D23

Rev : 05