

# AM 100-1 - Horizontal Weatherboard (DETAILS)

- HW01 - ELEVATION / SECTIONS
- HW02 - PLANS
- D01 - WINDOW HEAD DETAIL
- D02 - WINDOW SILL DETAIL
- D03 - WINDOW JAMB DETAIL
- D04 - INTERNAL CORNER DETAIL
- D05 - EXTERNAL CORNER DETAIL
- D06 - HORIZONTAL JOINT / INTER-STOREY JUNCTION DETAIL
- D07 - BALUSTRADE TOP DETAIL
- D08 - BALUSTRADE JUNCTION DETAIL
- D09 - SOFFIT DETAIL
- D10 - BOTTOM DETAIL
- D11 - PIPE PENETRATION DETAIL
- D12 - VERTICAL DETAIL
- D13 - METER BOX HEAD DETAIL
- D14 - METER BOX SILL DETAIL
- D15 - METER BOX JAMB DETAIL
- D16 - CONCRETE FLOOR BOARD STARTER DETAIL
- D17 - PARAPET DETAIL
- D18 - PARAPET ON CAVITY DETAIL
- D19 - NON-SOFFIT DETAIL
- D20 - ROOF WALL JUNCTION DETAIL
- D21 - DECK JUNCTION DETAIL
- D22 - STEEL STUD/NOGS DETAIL
- D23 - PARTS PROFILE



**ARCHIMAX CLADDING**

## Archimax Limited

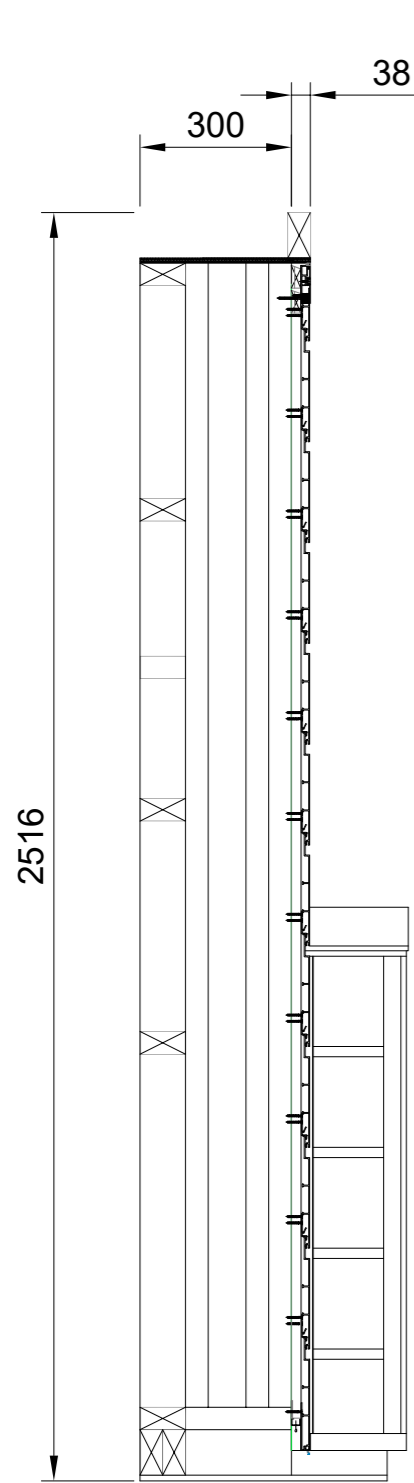
16 Ha Crescent, Wiri 2104 New Zealand  
www.archimax.co.nz  
@ ARCHIMAX CLADDING - All Rights Reserved

Archimax AM 100-1 - Horizontal Weatherboard

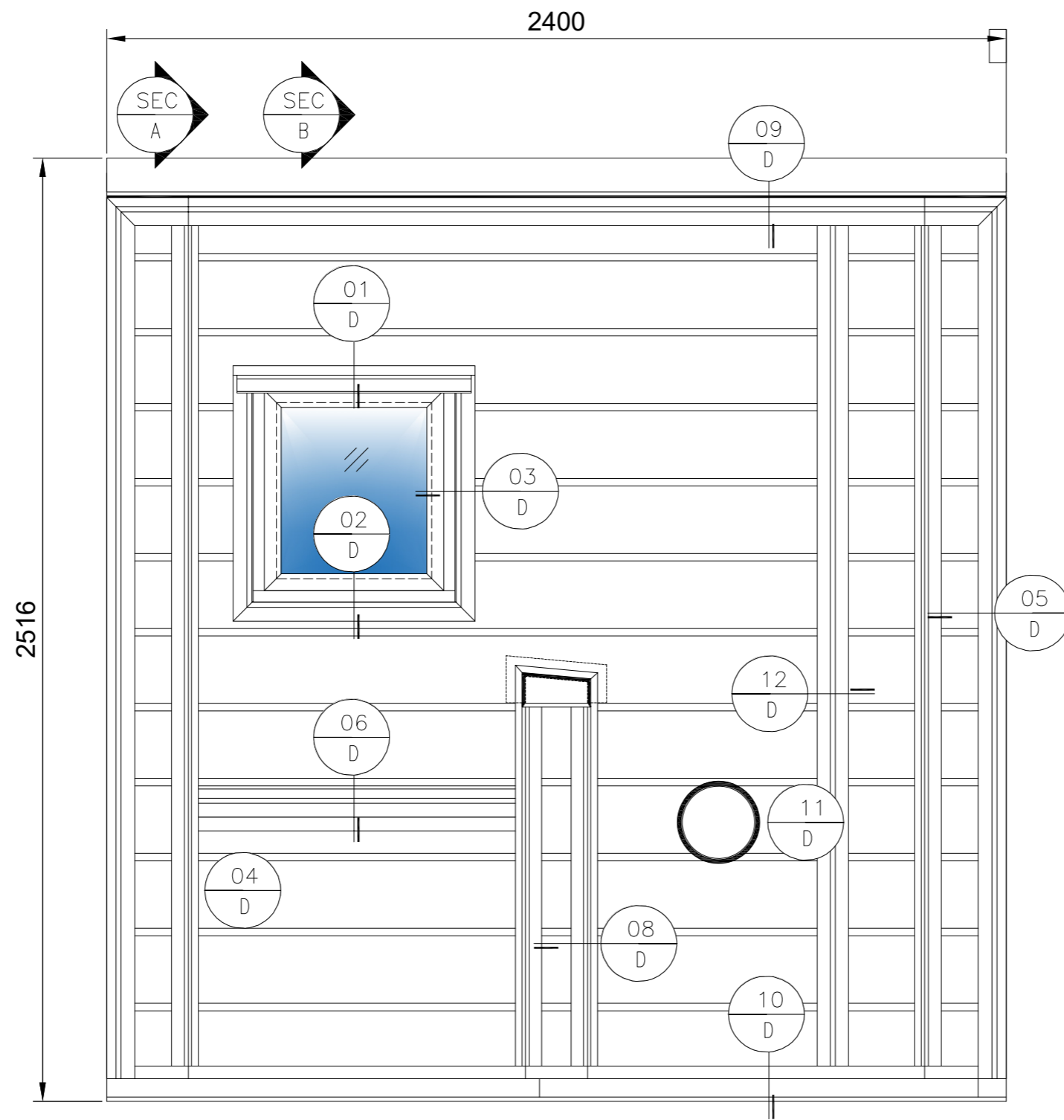
Cavity System  
Scale: NTS

**HW00**

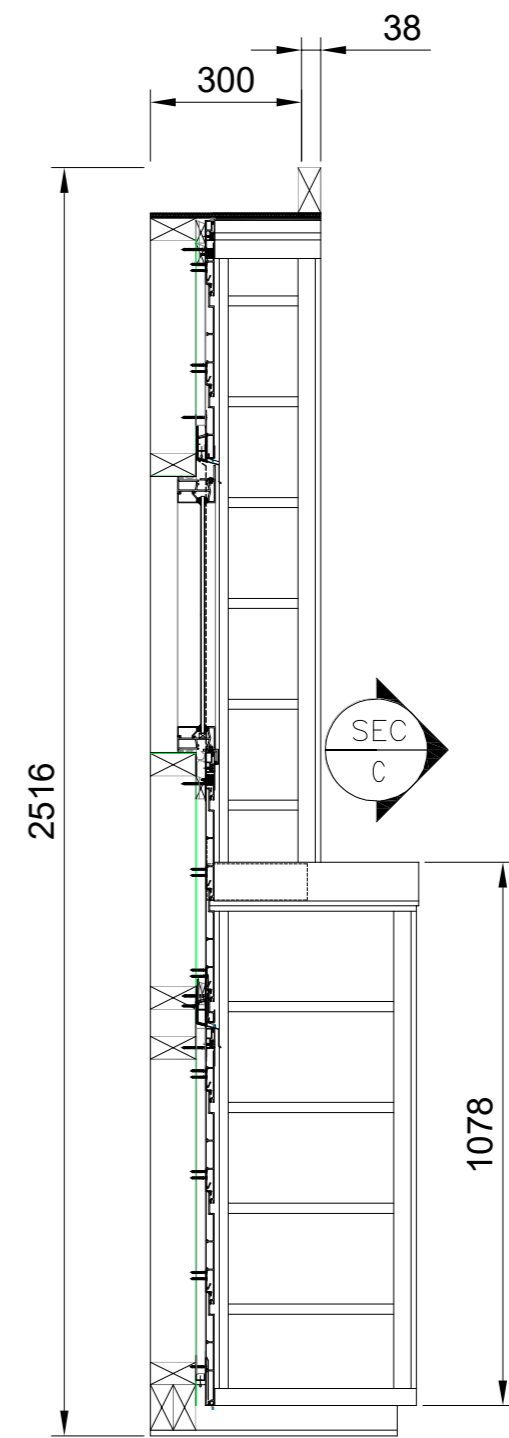
Rev : 05



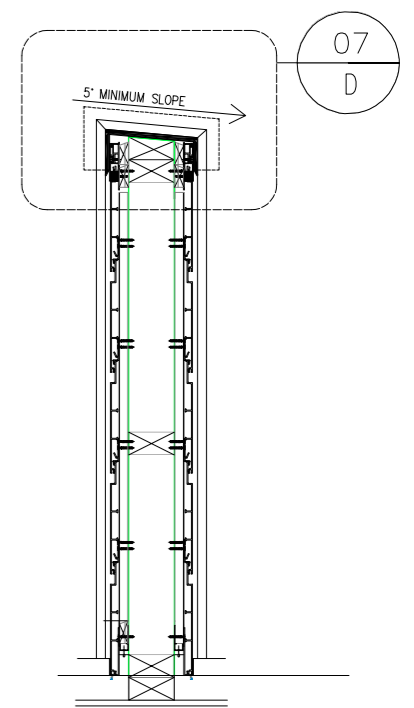
SECTION A



ELEVATION



SECTION B



SECTION C



**Archimax Limited**

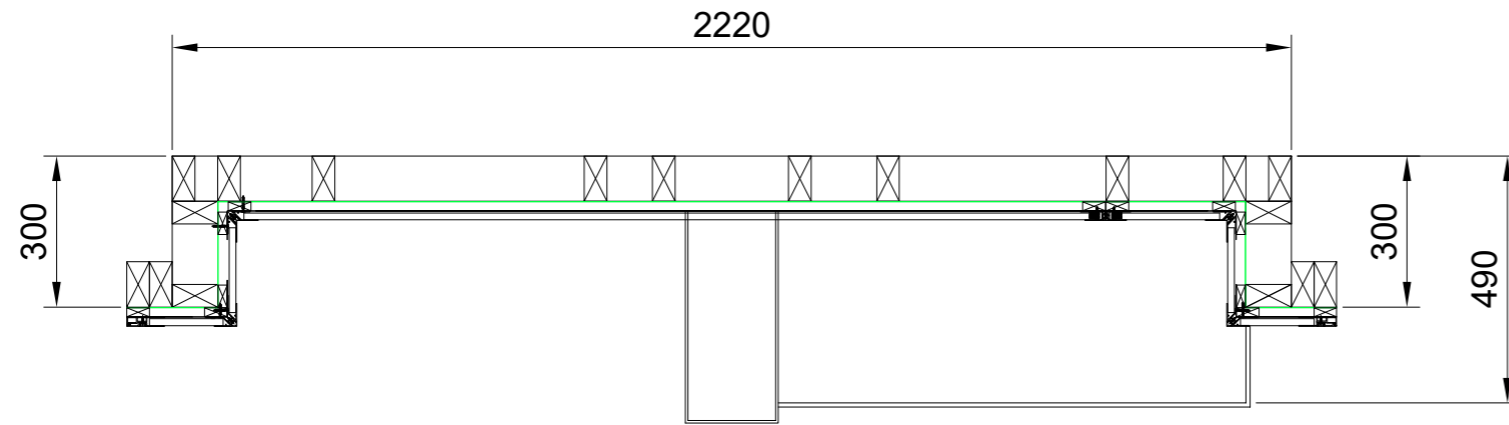
16 Ha Crescent, Wiri 2104 New Zealand  
[www.archimax.co.nz](http://www.archimax.co.nz)  
 @ ARCHIMAX CLADDING - All Rights Reserved

Elevation / Sections  
 Archimax AM 100-1 Horizontal Weatherboard

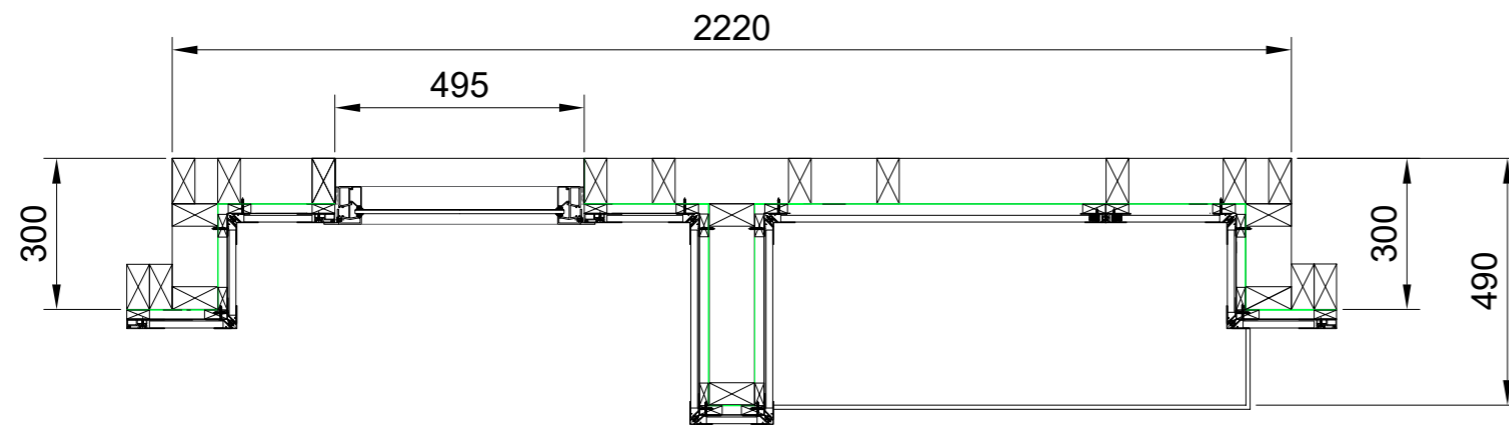
Cavity System  
 Scale: NTS

**HW01**

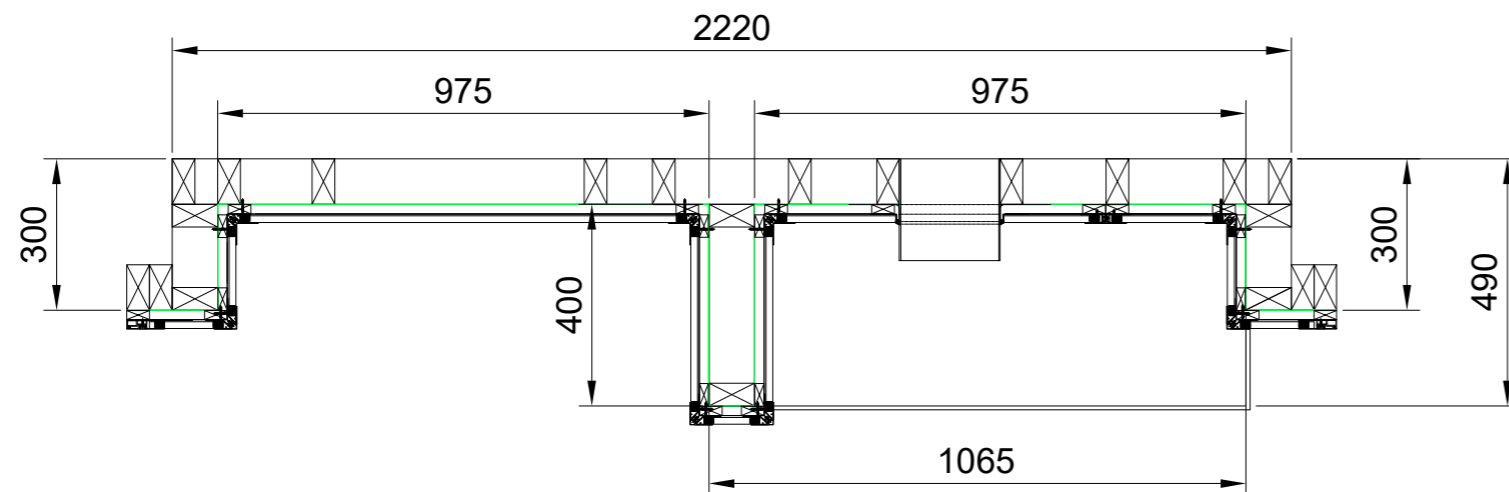
Rev : 05



**PLAN (TOP)**



**PLAN (@ WINDOW)**



**PLAN (BOTTOM)**

**NOTE:**

- MAXIMUM NOG/STUD & BATTEN SPACING @ 600mm CENTERS (AS PER NZS 3604 FOR STRUCTURE AND E2/AS1 FOR ROOF & WALL CLADDING)
- CAVITY BATTENS FIXED TO STUD/NOGS @ 600mm CENTERS
- WIND ZONES AND/OR APPLIED PRESSURES:  
EXTRA HIGH – STUDS/NOGS @ 400mm CENTERS (STEEL)  
VERY HIGH – STUDS/NOGS @ 600mm CENTERS
- CAVITY BATTENS MAY REQUIRE MACHINING, PACKER/SHIMS TO ENSURE BOARDS ARE FITTED FLAT WITHOUT DISTORSION
- UNDERLAY ISOLATOR STRIPS REQUIRED BETWEEN BATTENS & ALUMINIUM CLADDING (ONLY IF TREATED TIMBER IS USED AS BATTENS)
- CAVITY CLOSERS REQUIRED. DRAINED & VENTED CAVITY AS PER NZBC E2/AS1



**ARCHIMAX CLADDING**

**Archimax Limited**

16 Ha Crescent, Wiri 2104 New Zealand

[www.archimax.co.nz](http://www.archimax.co.nz)

@ ARCHIMAX CLADDING - All Rights Reserved

Plans

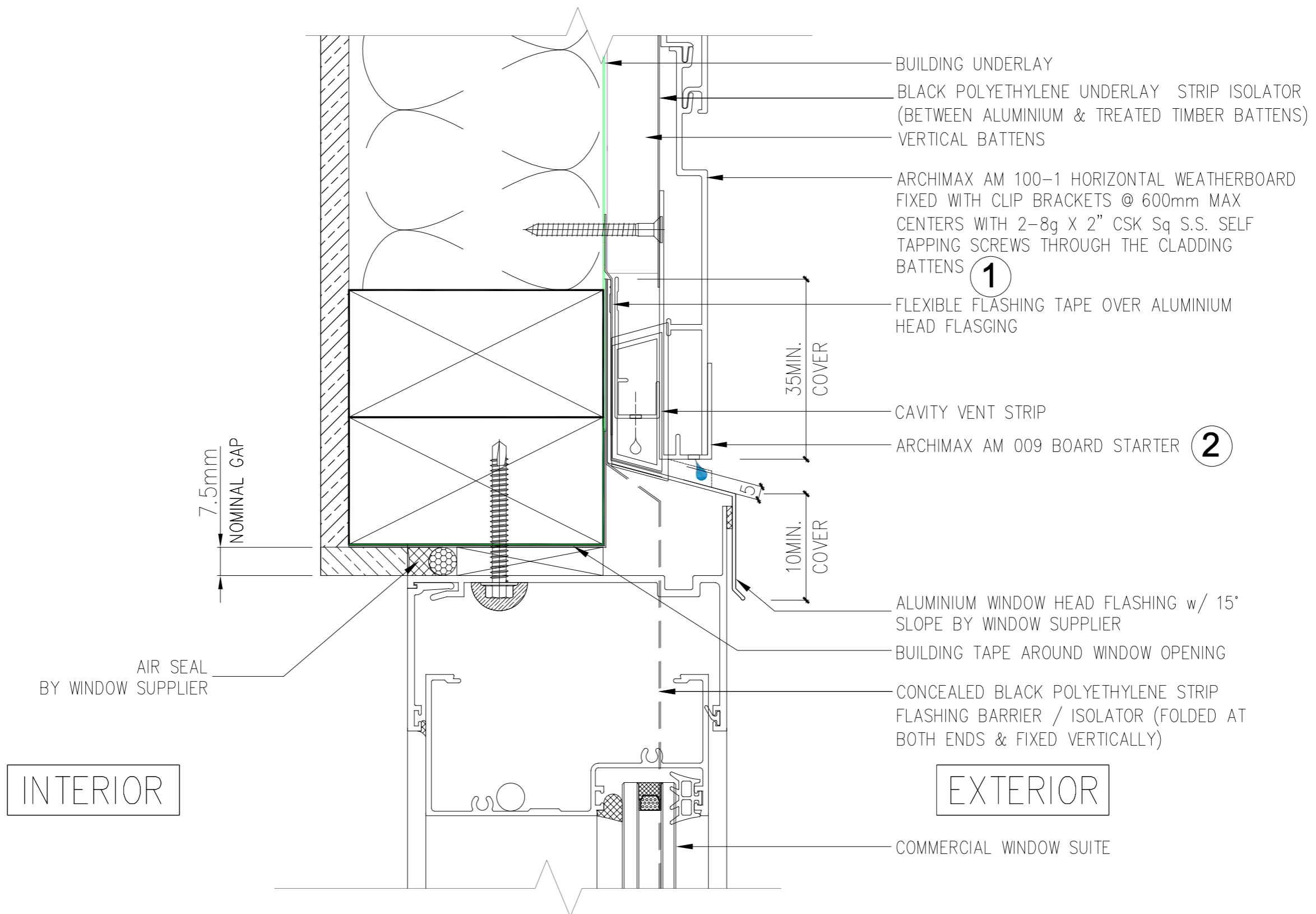
Archimax AM 100-1 Horizontal Weatherboard

Cavity System

Scale: NTS

**HW02**

Rev : 05



**Archimax Limited**

16 Ha Crescent, Wiri 2104 New Zealand  
 www.archimax.co.nz  
 @ ARCHIMAX CLADDING - All Rights Reserved

**Window Head Detail**

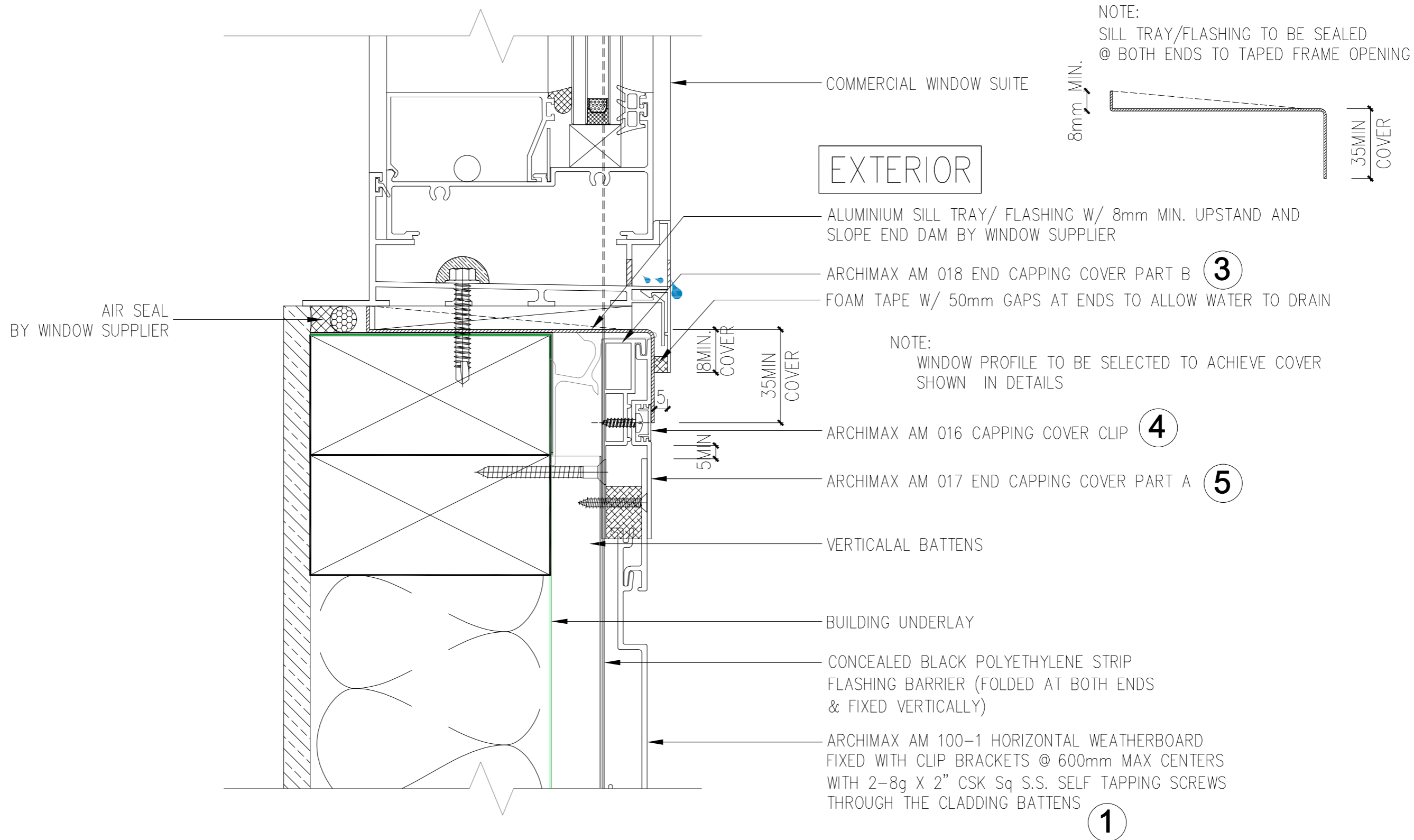
**Archimax AM 100-1 - Horizontal Weatherboard**

**Cavity System**

**Scale: NTS**

**D01**

Rev : 05



**Archimax Limited**

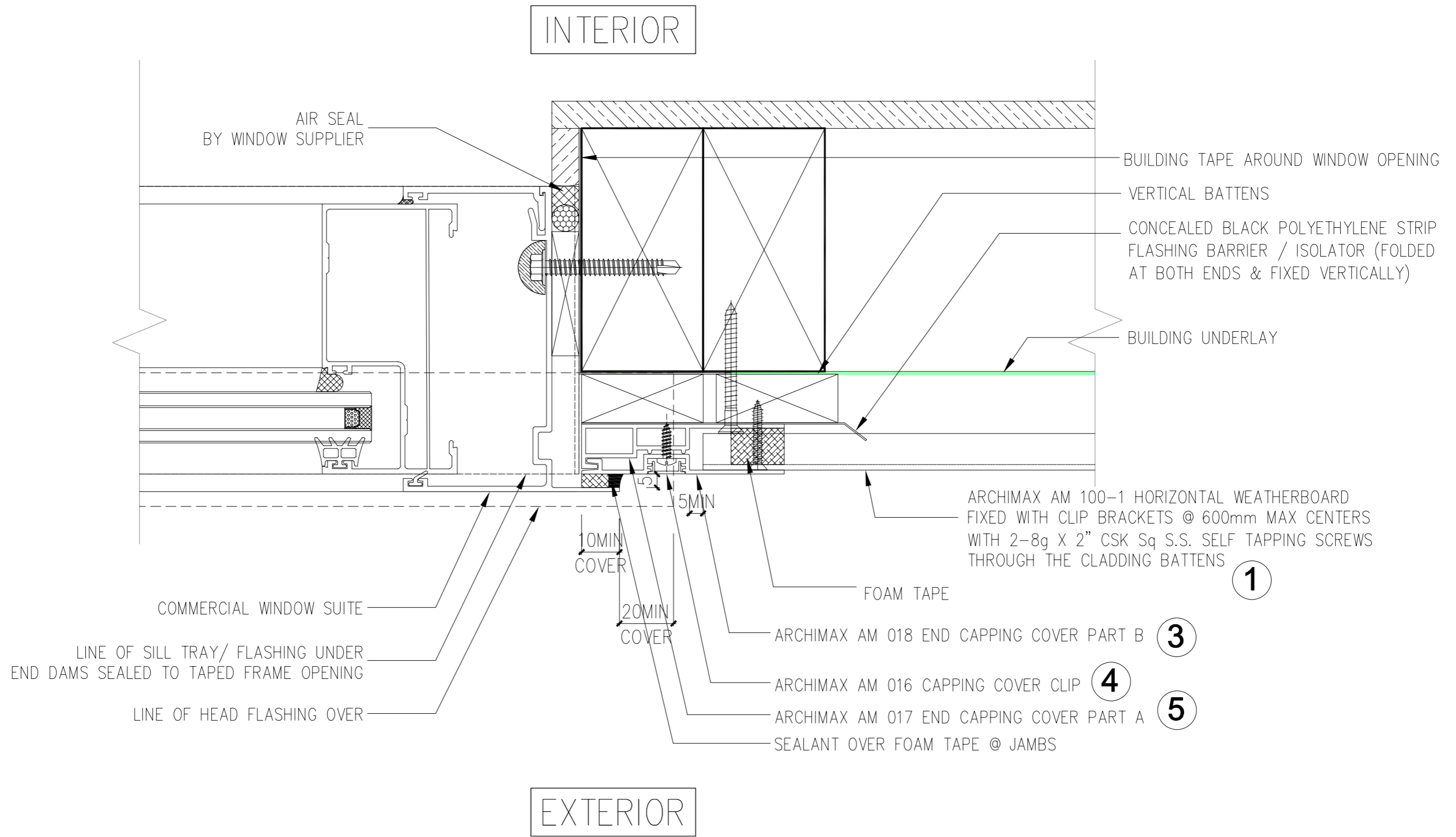
16 Ha Crescent, Wiri 2104 New Zealand  
 www.archimax.co.nz  
 @ ARCHIMAX CLADDING - All Rights Reserved

**Window Sill Detail  
 Archimax AM 100-1 - Horizontal Weatherboard**

**Cavity System  
 Scale: NTS**

**D02**

Rev : 05

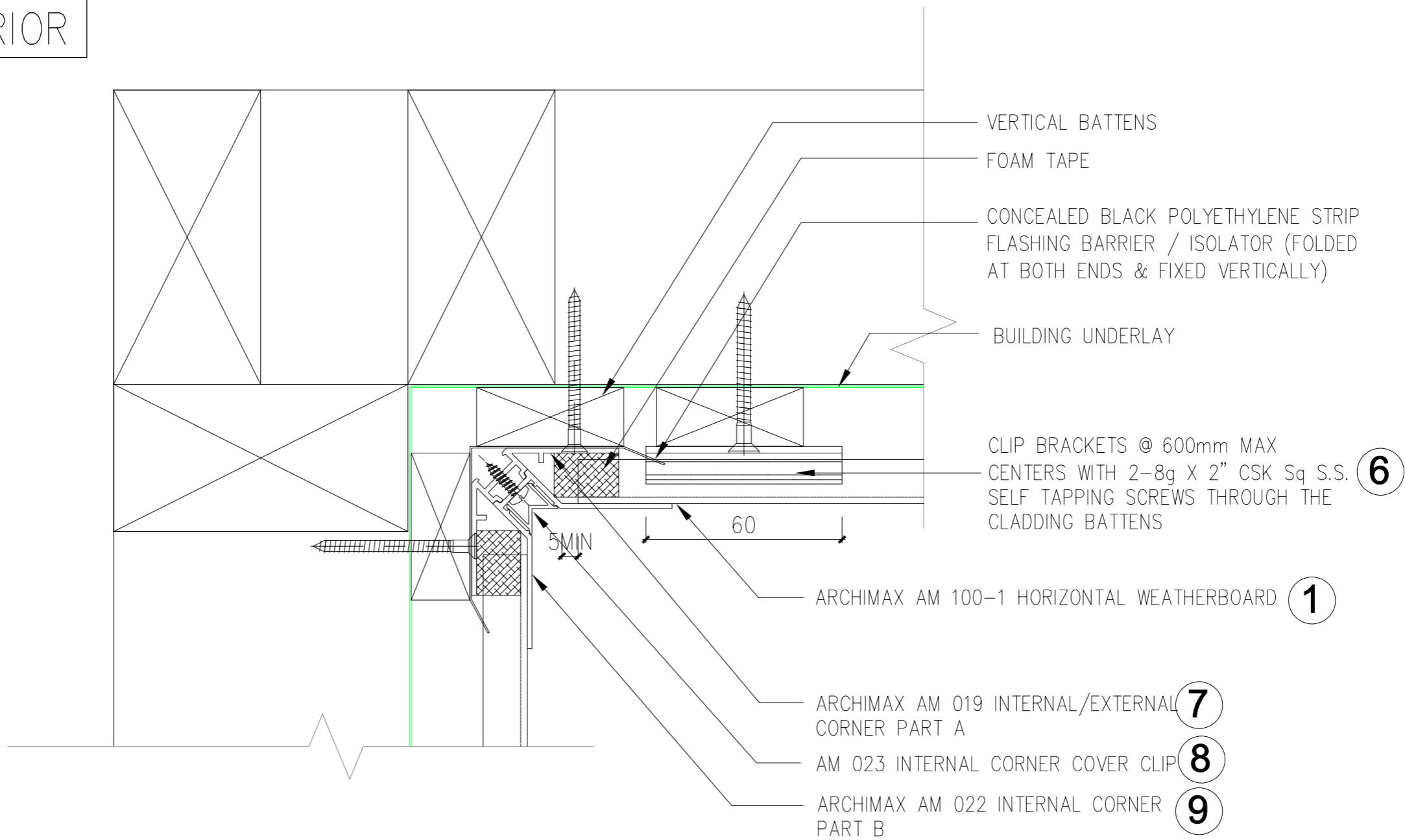


**Archimax Limited**  
 16 Ha Crescent, Wiri 2104 New Zealand  
[www.archimax.co.nz](http://www.archimax.co.nz)  
 @ ARCHIMAX CLADDING - All Rights Reserved

**Window Jamb Detail**  
**Archimax AM 100-1 - Horizontal Weatherboard**  
 Cavity System  
 Scale: NTS

**D03**  
 Rev : 05

INTERIOR



EXTERIOR



**Archimax Limited**

16 Ha Crescent, Wiri 2104 New Zealand  
www.archimax.co.nz  
@ ARCHIMAX CLADDING - All Rights Reserved

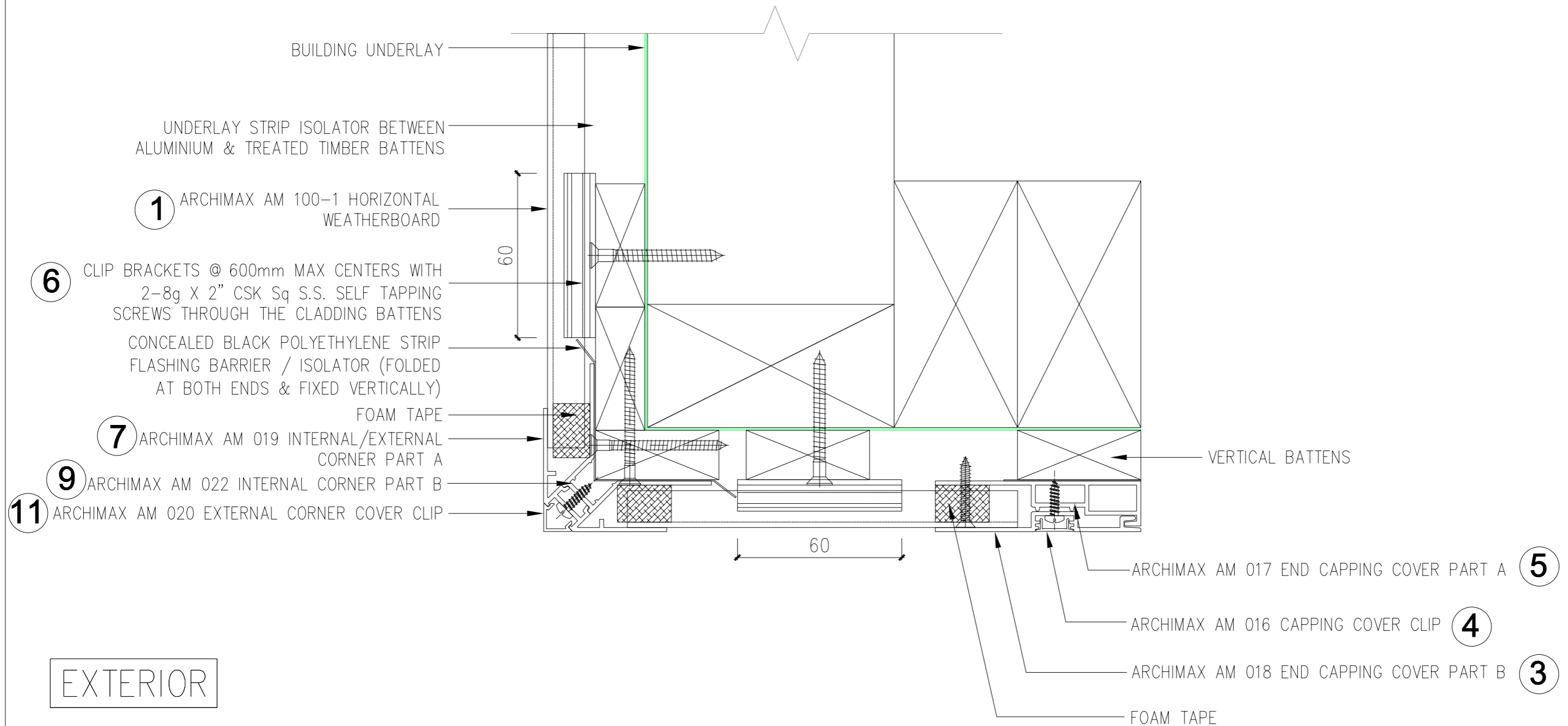
**Internal Corner Detail  
Archimax AM 100-1 - Horizontal Weatherboard**

**Cavity System  
Scale: NTS**

**D04**

Rev : 05

INTERIOR



**Archimax Limited**

16 Ha Crescent, Wiri 2104 New Zealand  
www.archimax.co.nz  
@ ARCHIMAX CLADDING - All Rights Reserved

**External Corner Detail  
Archimax AM 100-1 - Horizontal Weatherboard**

Cavity System  
Scale: NTS

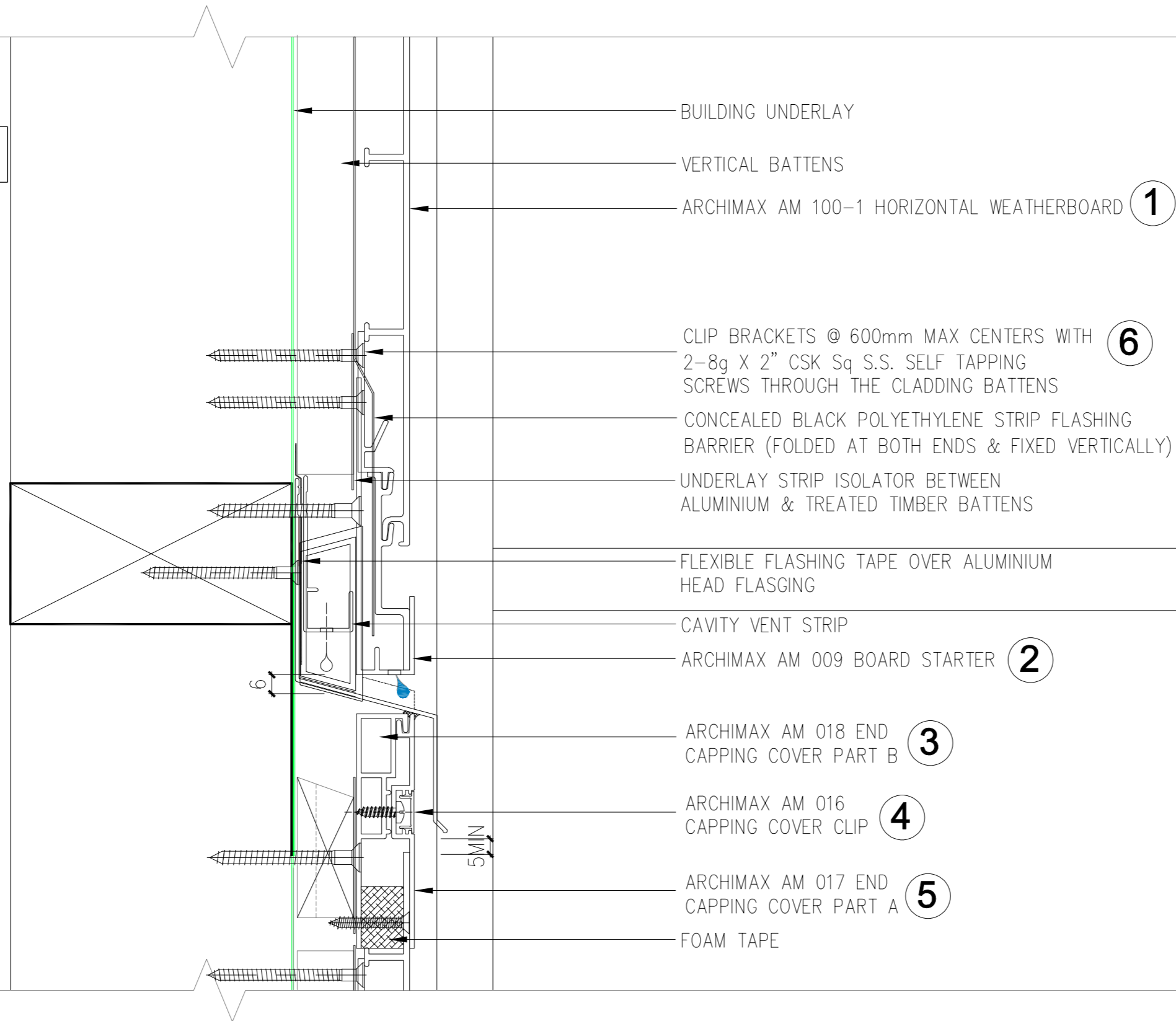
**D05**

Rev : 05



INTERIOR

EXTERIOR



**Archimax Limited**

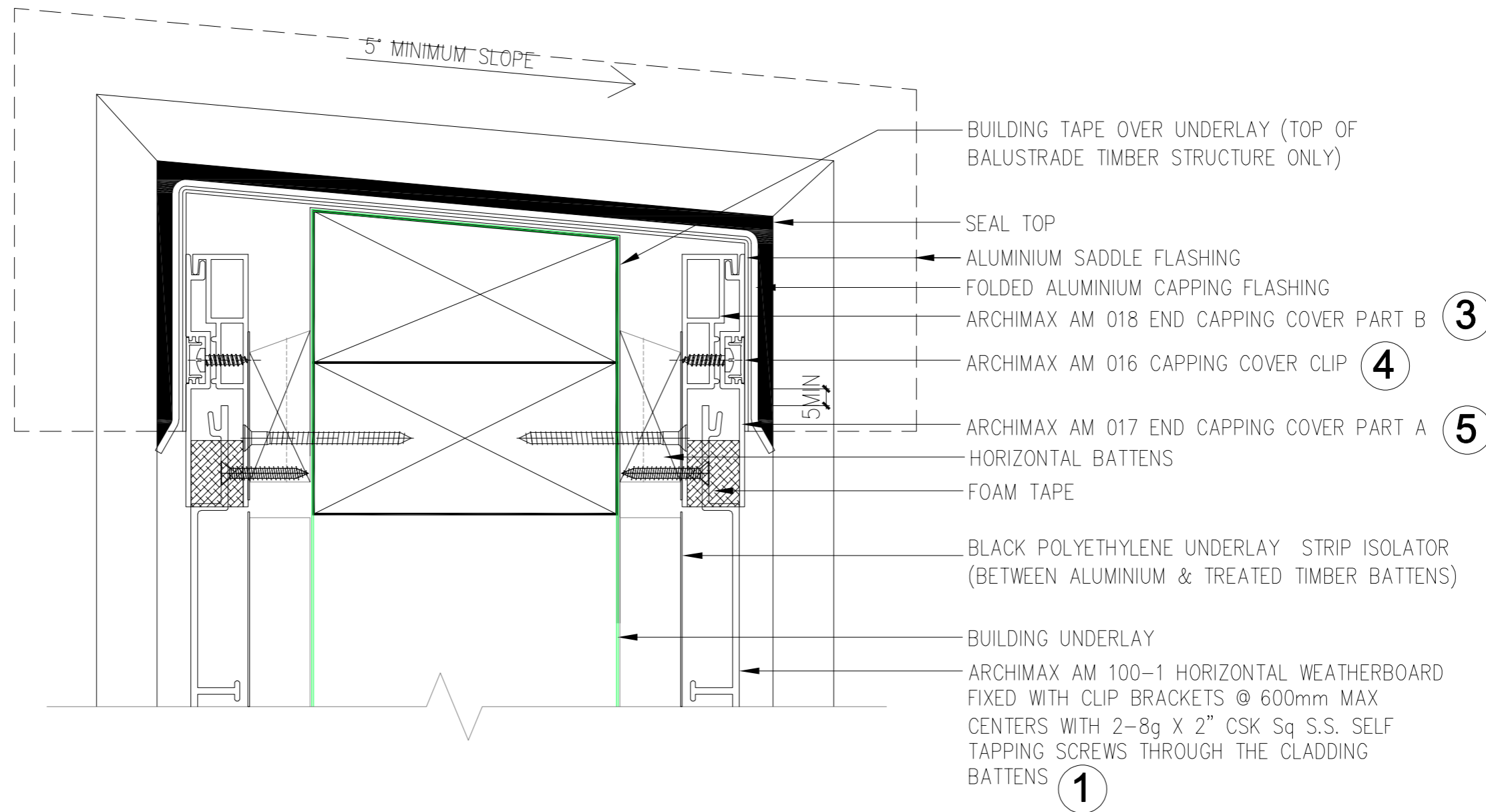
16 Ha Crescent, Wiri 2104 New Zealand  
www.archimax.co.nz  
@ ARCHIMAX CLADDING - All Rights Reserved

**Horizontal Joint Detail**  
**Archimax AM 100-1 - Horizontal Weatherboard**

**Cavity System**  
**Scale: NTS**

**D06**

Rev : 05



**Archimax Limited**

16 Ha Crescent, Wiri 2104 New Zealand  
 www.archimax.co.nz  
 @ ARCHIMAX CLADDING - All Rights Reserved

**Balustrade Detail**

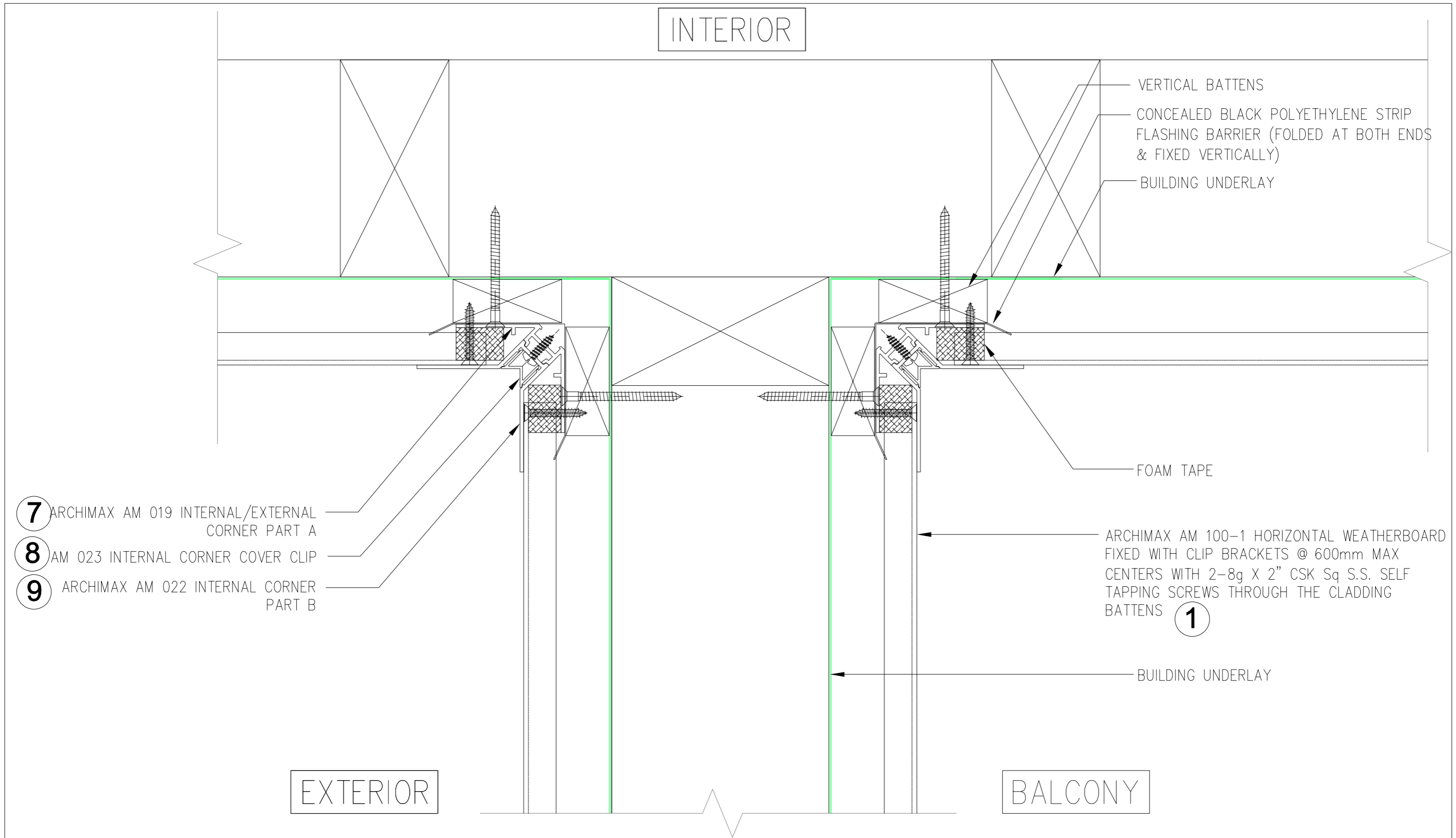
**Archimax AM 100-1 - Horizontal Weatherboard**

**Cavity System**

**Scale: NTS**

D07

Rev : 05



**Archimax Limited**

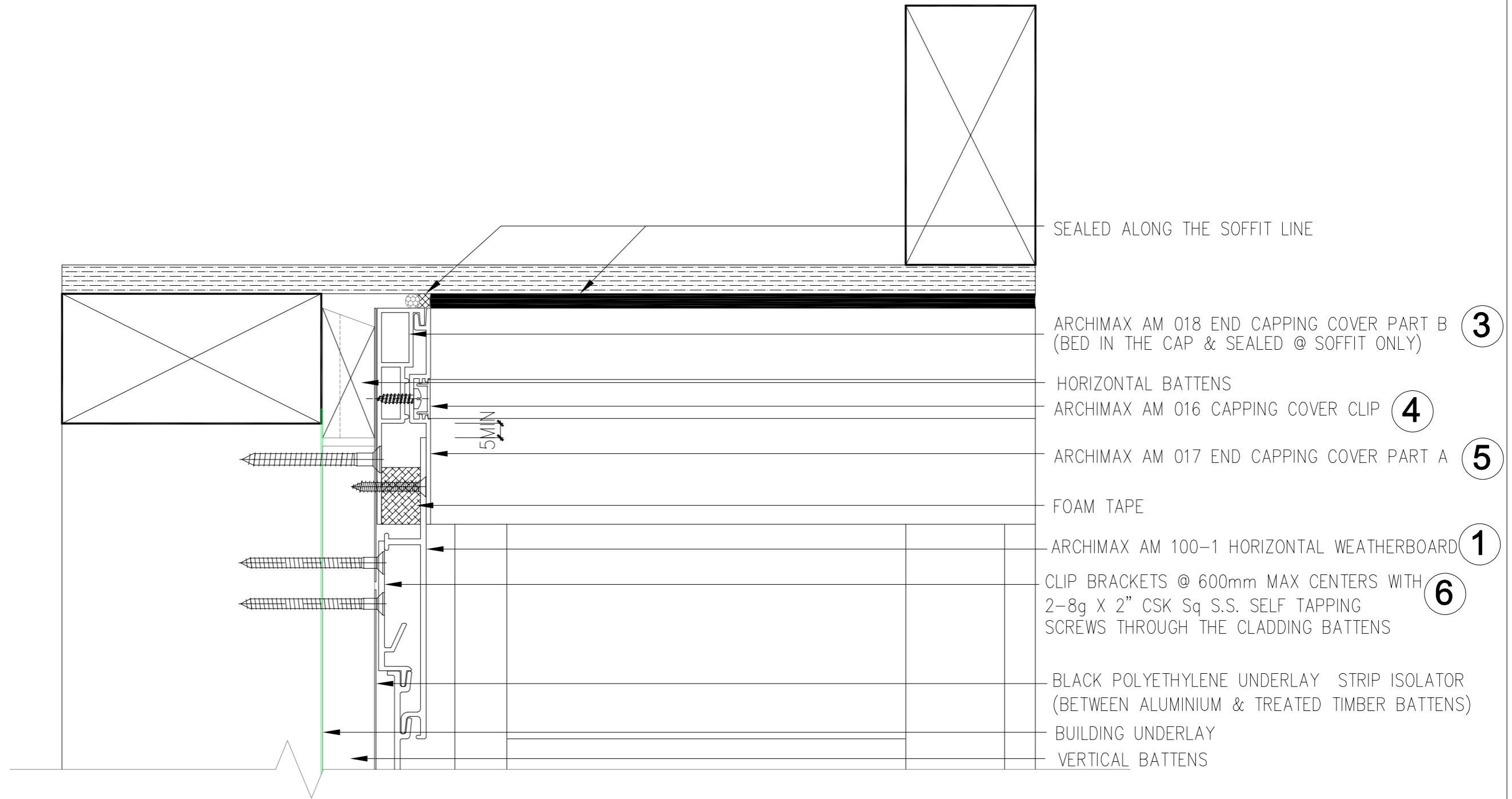
16 Ha Crescent, Wiri 2104 New Zealand  
 www.archimax.co.nz  
 @ ARCHIMAX CLADDING - All Rights Reserved

**Balustrade Junction Detail**  
**Archimax AM 100-1 - Horizontal Weatherboard**

**Cavity System**  
**Scale: NTS**

**D08**

Rev : 05



INTERIOR

EXTERIOR



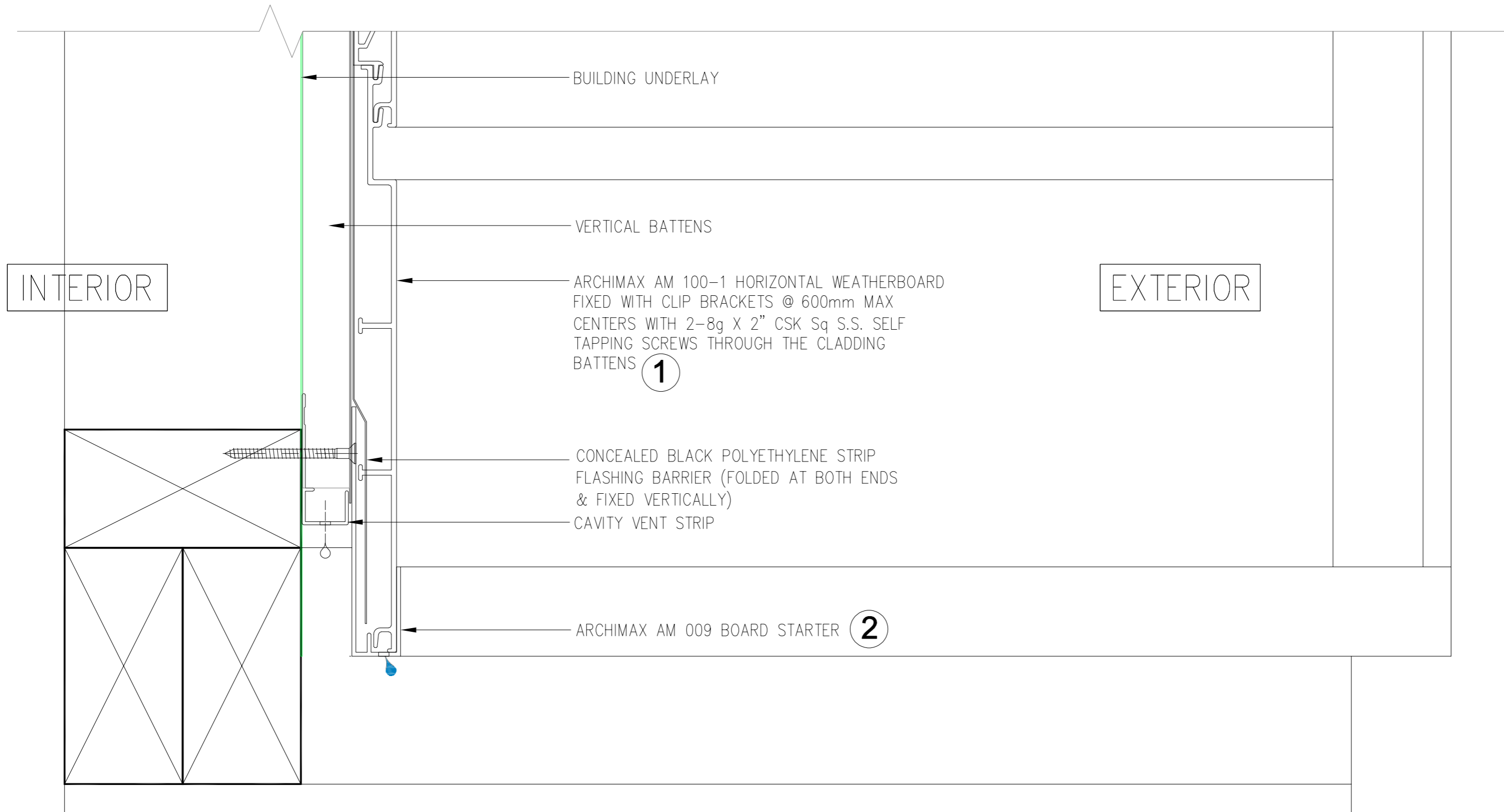
**Archimax Limited**

16 Ha Crescent, Wiri 2104 New Zealand  
 www.archimax.co.nz  
 @ ARCHIMAX CLADDING - All Rights Reserved

Soffit Detail  
 Archimax AM 100-1 - Horizontal Weatherboard

Cavity System  
 Scale: NTS

**D09**  
 Rev : 05



**Archimax Limited**

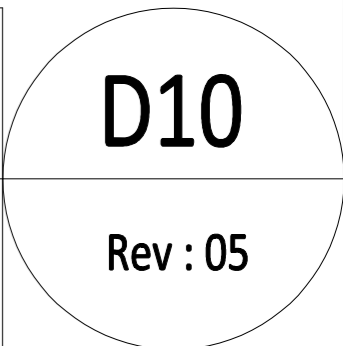
16 Ha Crescent, Wiri 2104 New Zealand  
[www.archimax.co.nz](http://www.archimax.co.nz)  
 @ ARCHIMAX CLADDING - All Rights Reserved

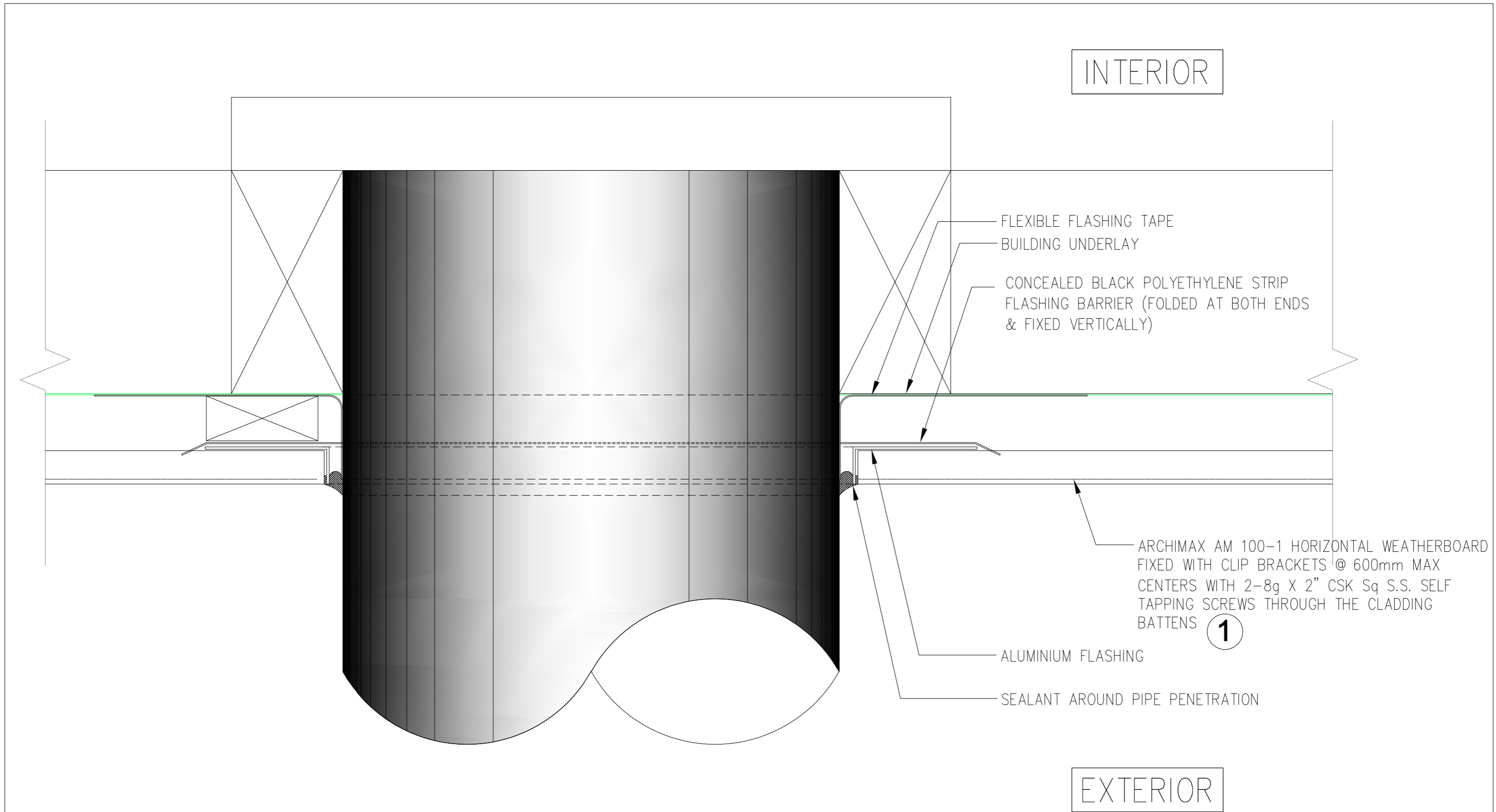
**Bottom Detail**

**Archimax AM 100-1 - Horizontal Weatherboard**

**Cavity System**

**Scale: NTS**





**Archimax Limited**

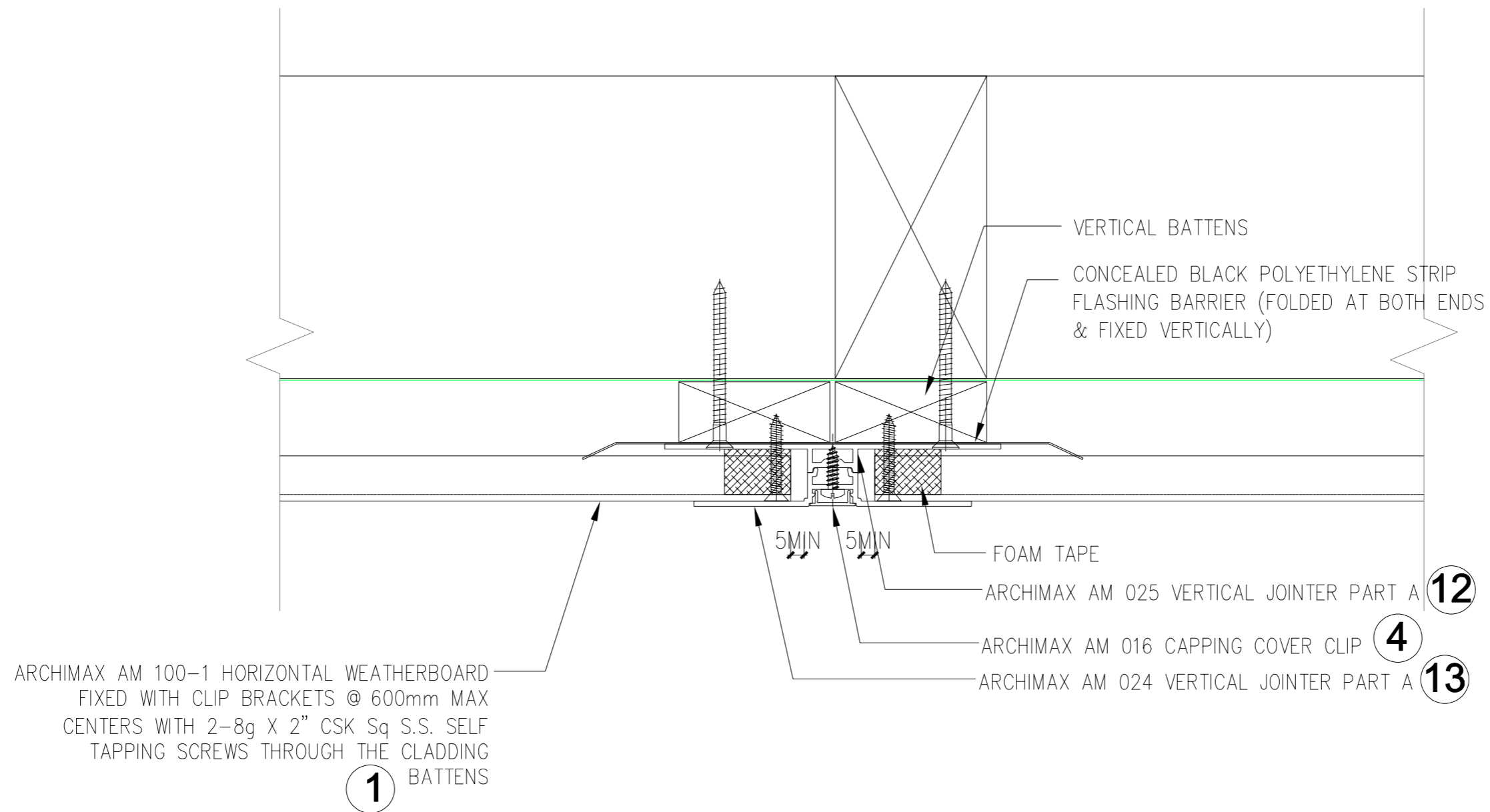
16 Ha Crescent, Wiri 2104 New Zealand  
 www.archimax.co.nz  
 @ ARCHIMAX CLADDING - All Rights Reserved

**Pipe Penetration Detail  
 Archimax AM 100-1 - Horizontal Weatherboard**

**Cavity System  
 Scale: NTS**

**D11**

Rev : 05



**Archimax Limited**

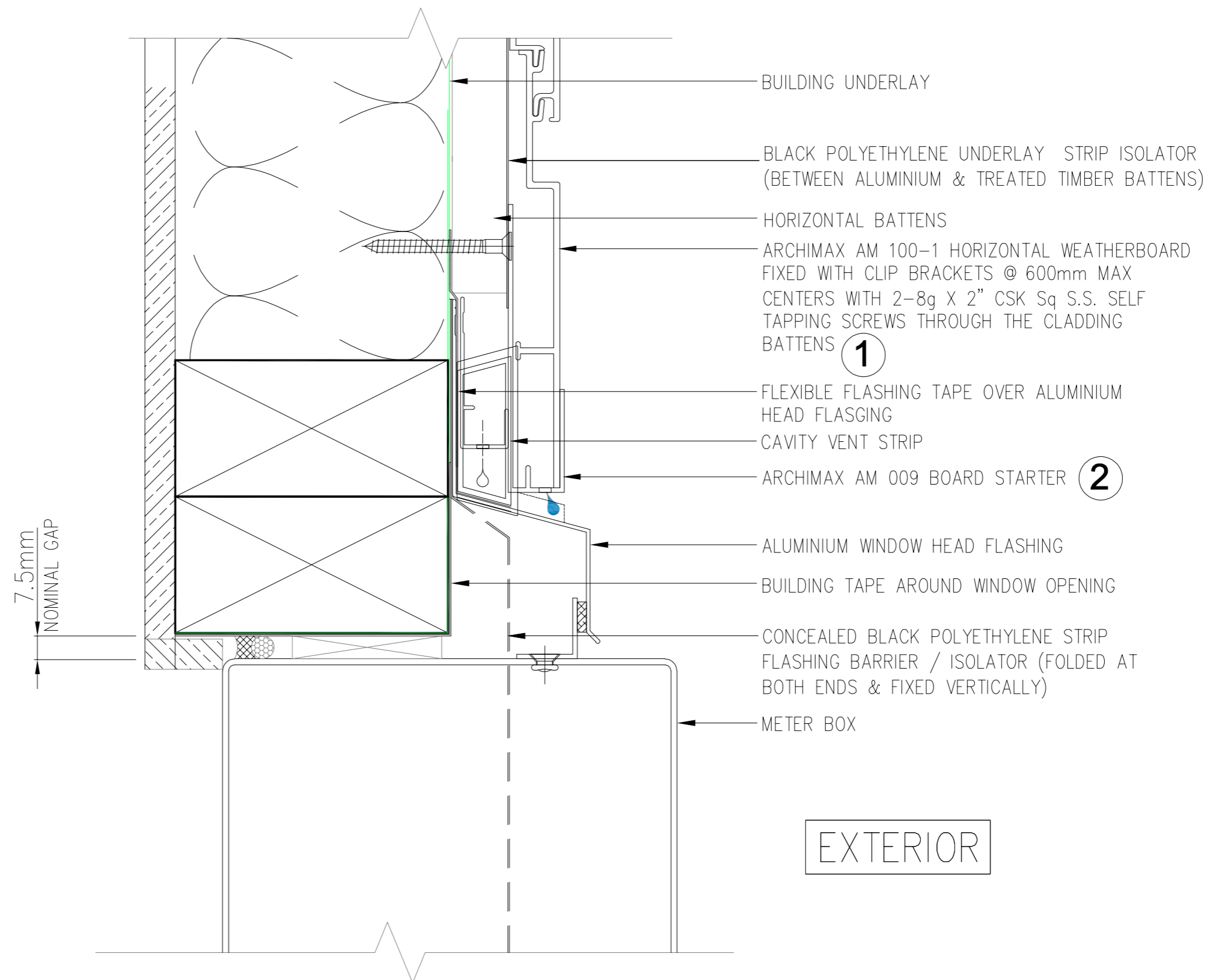
16 Ha Crescent, Wiri 2104 New Zealand  
[www.archimax.co.nz](http://www.archimax.co.nz)  
 @ ARCHIMAX CLADDING - All Rights Reserved

Vertical Joint Detail  
 Archimax AM 100-1 - Horizontal Weatherboard

Cavity System  
 Scale: NTS

**D12**

Rev : 05



**ARCHIMAX CLADDING**

**Archimax Limited**

16 Ha Crescent, Wiri 2104 New Zealand  
[www.archimax.co.nz](http://www.archimax.co.nz)  
 @ ARCHIMAX CLADDING - All Rights Reserved

**Meter Box Head**

**Archimax AM 100-1 - Horizontal Weatherboard**

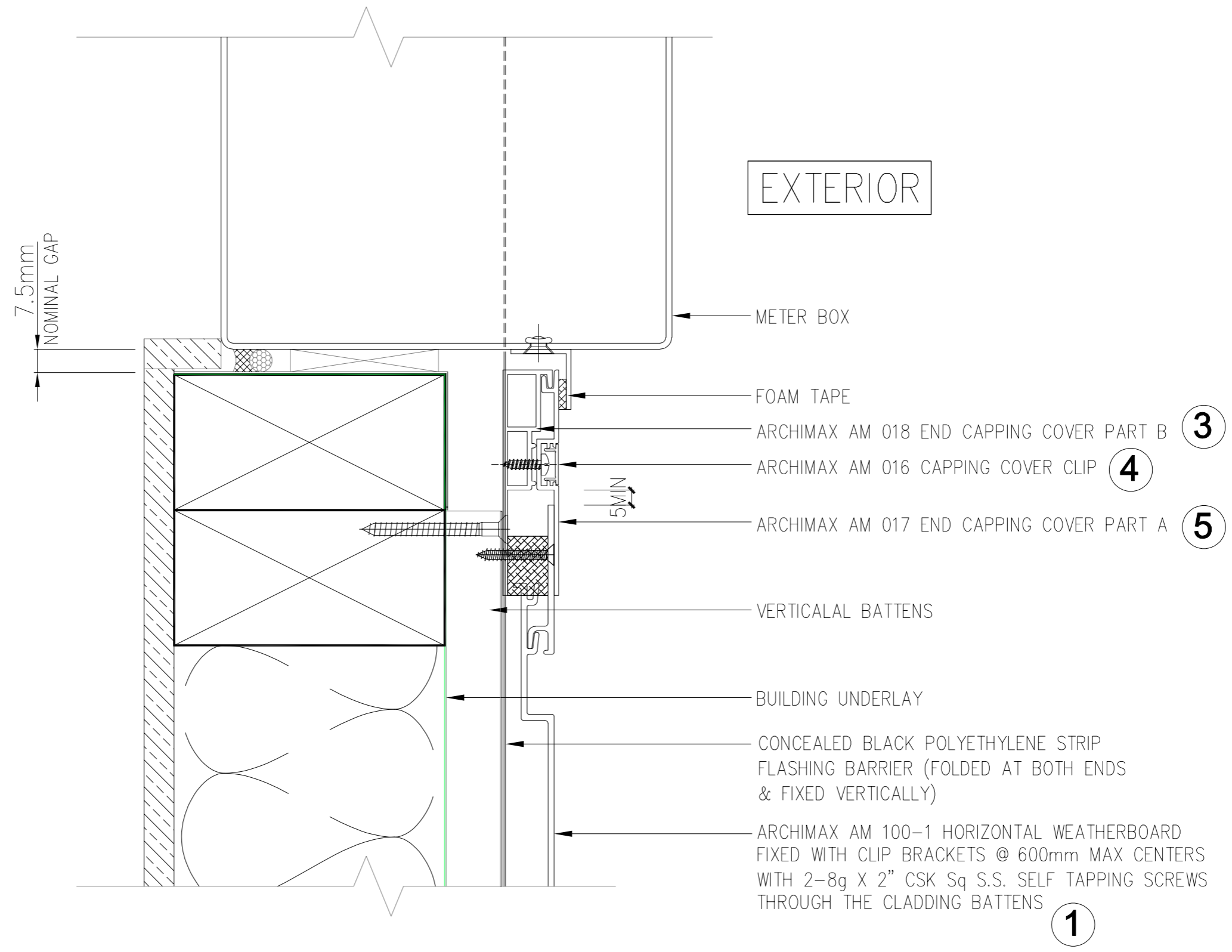
**Cavity System**

**Scale: NTS**

**D13**

**Rev : 05**





**Archimax Limited**

16 Ha Crescent, Wiri 2104 New Zealand  
[www.archimax.co.nz](http://www.archimax.co.nz)  
 @ ARCHIMAX CLADDING - All Rights Reserved

**Meter Box Sill**

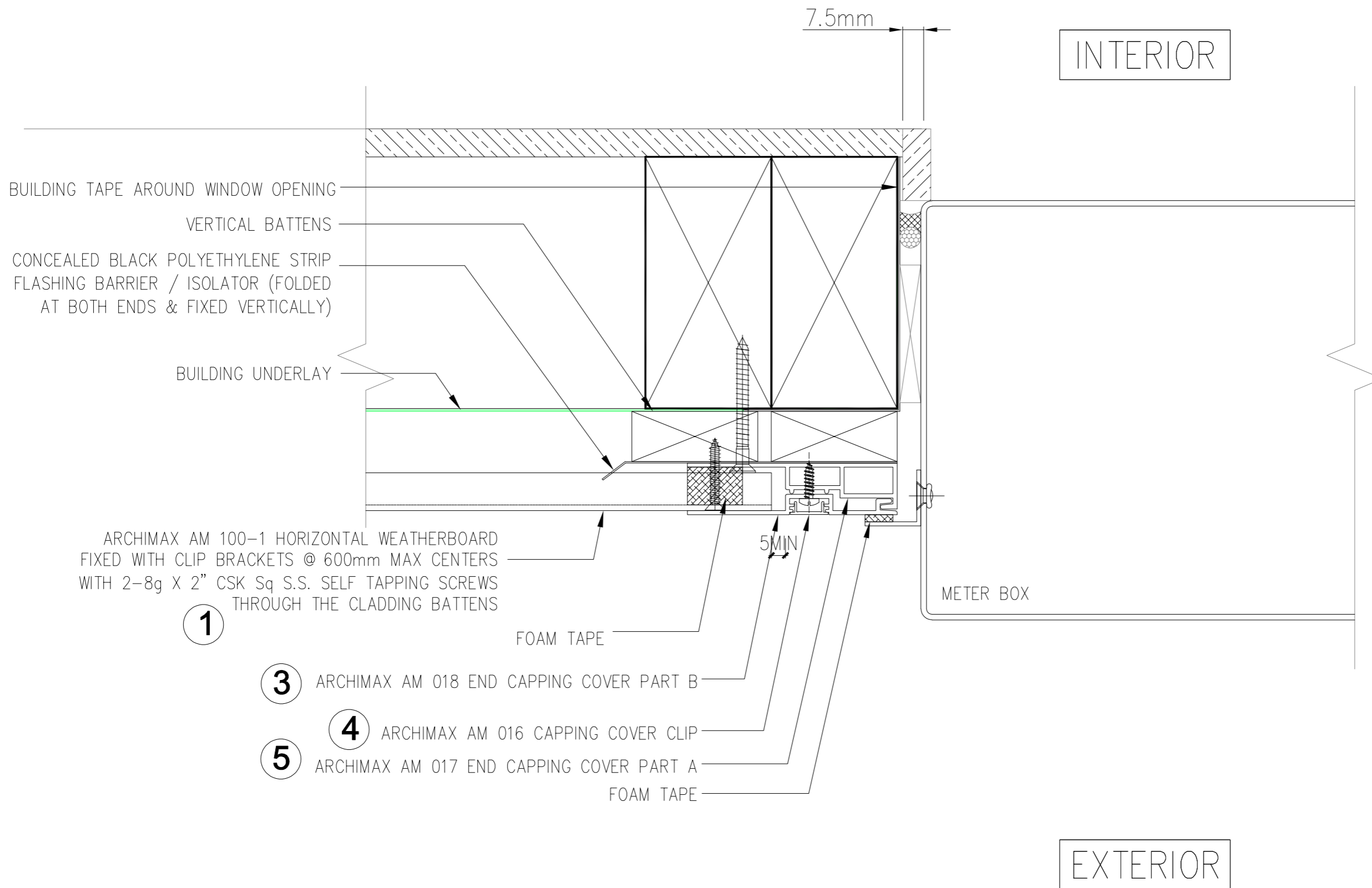
**Archimax AM 100-1 - Horizontal Weatherboard**

**Cavity System**

**Scale: NTS**

**D14**

Rev : 05



**ARCHIMAX CLADDING**

**Archimax Limited**

16 Ha Crescent, Wiri 2104 New Zealand  
[www.archimax.co.nz](http://www.archimax.co.nz)  
 @ ARCHIMAX CLADDING - All Rights Reserved

**Meter Box Jamb**

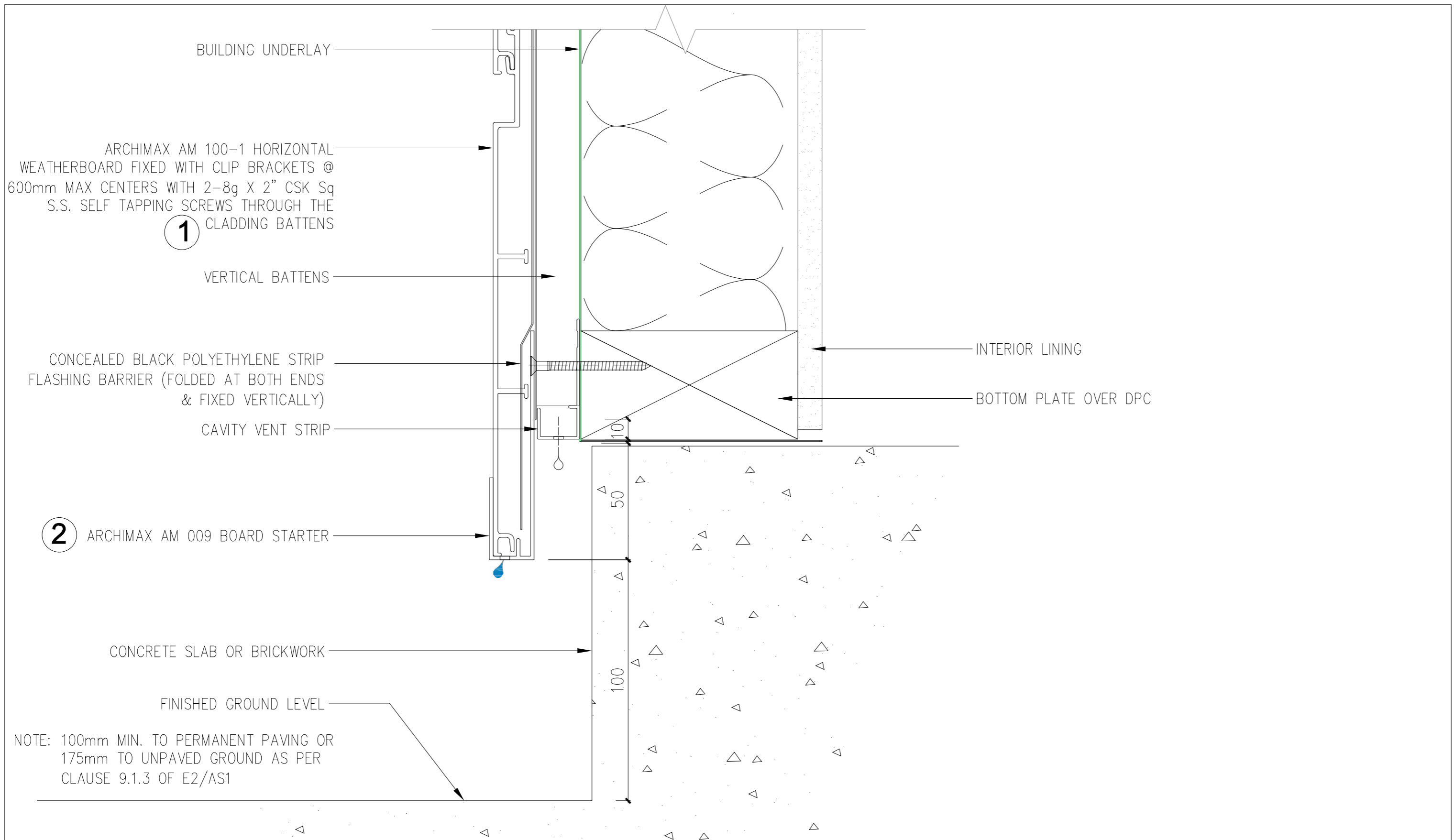
**Archimax AM 100-1 - Horizontal Weatherboard**

**Cavity System**

**Scale: NTS**

**D15**

**Rev : 05**



**Archimax Limited**

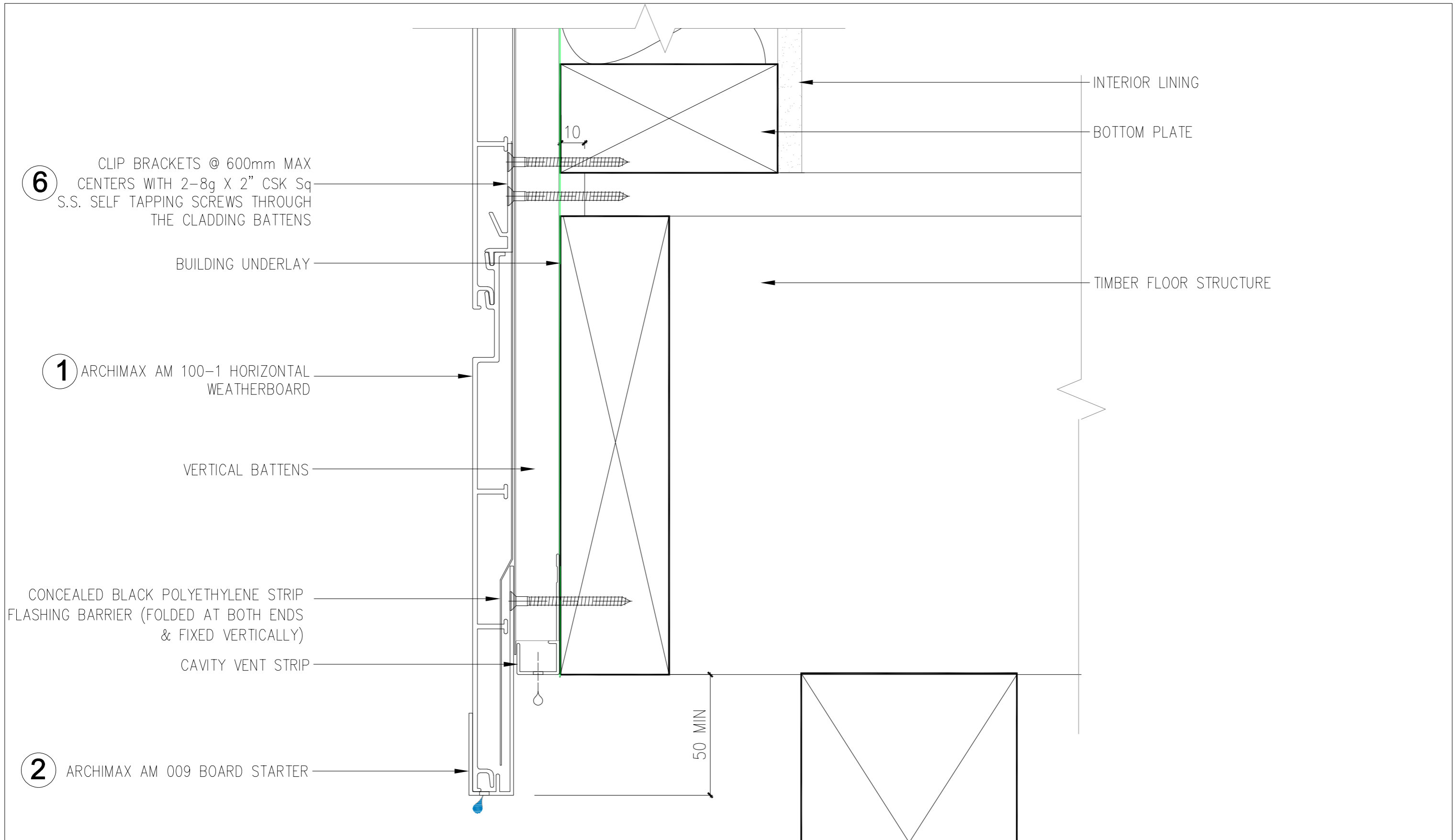
16 Ha Crescent, Wiri 2104 New Zealand  
 www.archimax.co.nz  
 @ ARCHIMAX CLADDING - All Rights Reserved

**Concrete Floor Board Starter**  
**Archimax AM 100-1 - Horizontal Weatherboard**

**Cavity System**  
**Scale: NTS**

**D16**

Rev : 05



6

CLIP BRACKETS @ 600mm MAX CENTERS WITH 2-8g X 2" CSK Sq S.S. SELF TAPPING SCREWS THROUGH THE CLADDING BATTENS

1

ARCHIMAX AM 100-1 HORIZONTAL WEATHERBOARD

2

ARCHIMAX AM 009 BOARD STARTER

INTERIOR LINING

BOTTOM PLATE

TIMBER FLOOR STRUCTURE

BUILDING UNDERLAY

VERTICAL BATTENS

CONCEALED BLACK POLYETHYLENE STRIP FLASHING BARRIER (FOLDED AT BOTH ENDS & FIXED VERTICALLY)

CAVITY VENT STRIP

50 MIN

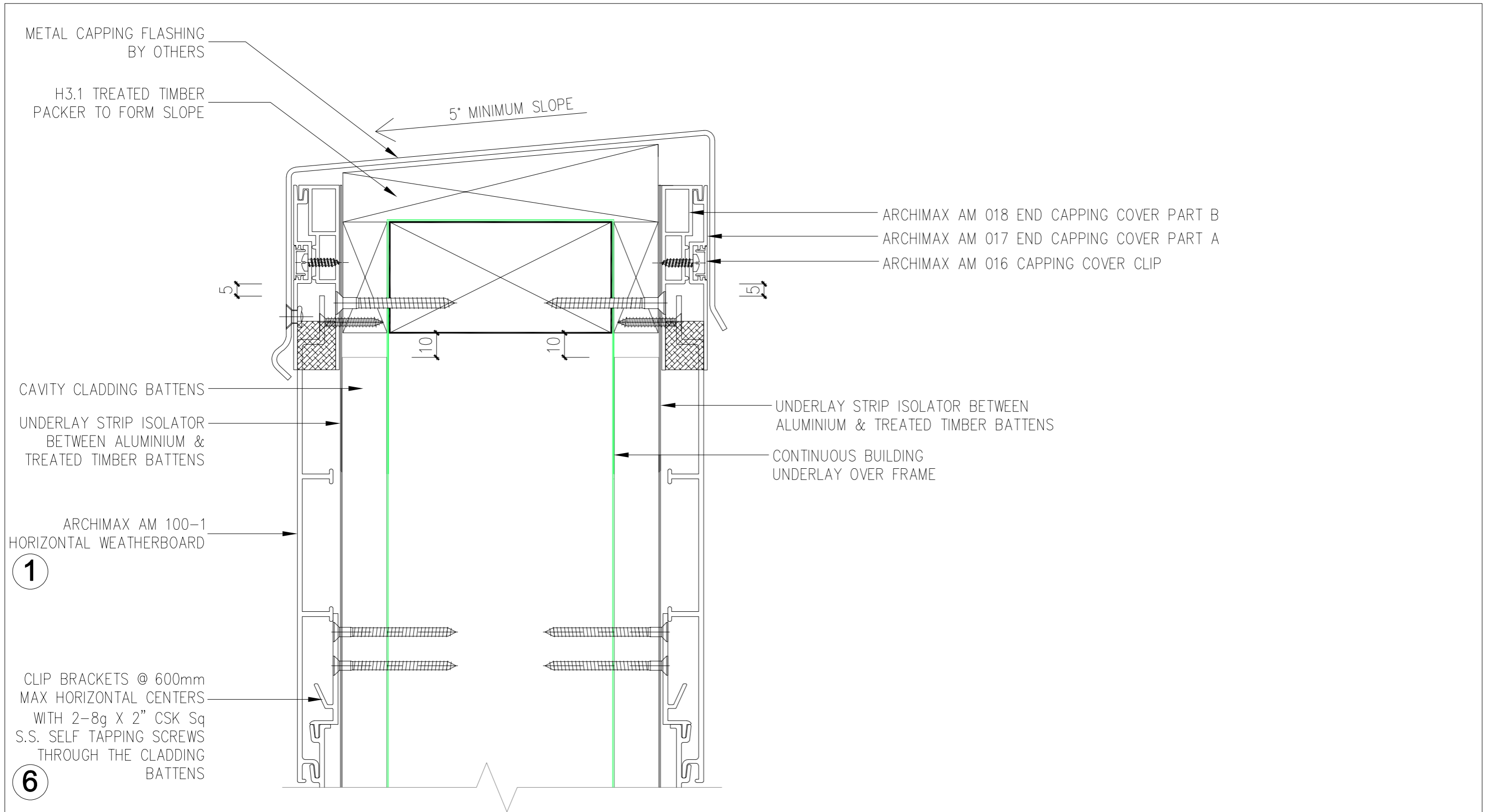
10



**Archimax Limited**  
 16 Ha Crescent, Wiri 2104 New Zealand  
[www.archimax.co.nz](http://www.archimax.co.nz)  
 @ ARCHIMAX CLADDING - All Rights Reserved

**Parapet**  
**Archimax AM 100-1 - Horizontal Weatherboard**  
 Cavity System  
 Scale: NTS

**D17**  
 Rev : 05



**Archimax Limited**

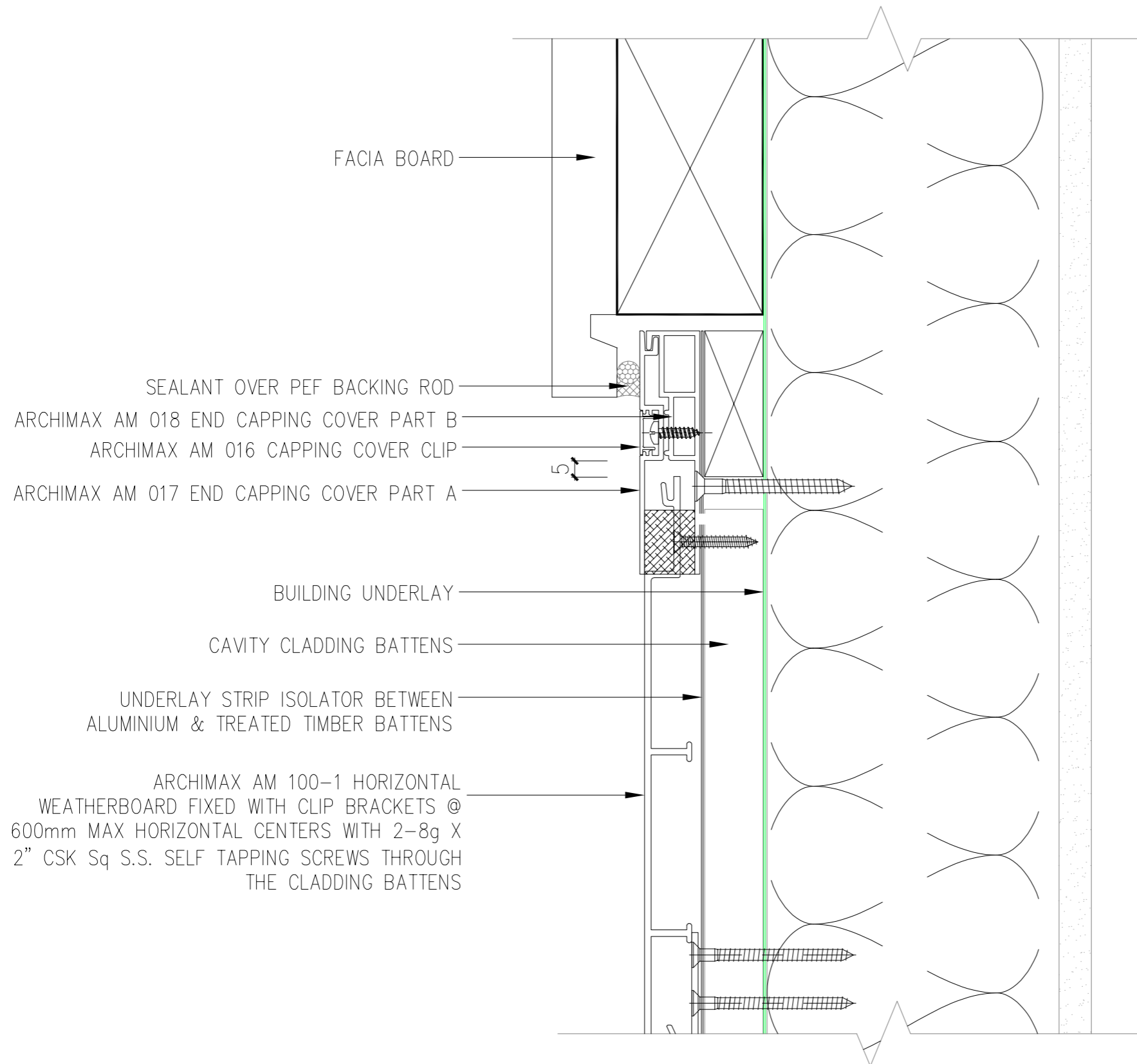
16 Ha Crescent, Wiri 2104 New Zealand  
 www.archimax.co.nz  
 @ ARCHIMAX CLADDING - All Rights Reserved

Parapet on Cavity  
 Archimax AM 100-1 - Horizontal Weatherboard

Cavity System  
 Scale: NTS

D18

Rev : 05



FACIA BOARD

SEALANT OVER PEF BACKING ROD

ARCHIMAX AM 018 END CAPPING COVER PART B

ARCHIMAX AM 016 CAPPING COVER CLIP

ARCHIMAX AM 017 END CAPPING COVER PART A

5

BUILDING UNDERLAY

CAVITY CLADDING BATTENS

UNDERLAY STRIP ISOLATOR BETWEEN  
ALUMINIUM & TREATED TIMBER BATTENS

1

ARCHIMAX AM 100-1 HORIZONTAL  
WEATHERBOARD FIXED WITH CLIP BRACKETS @  
600mm MAX HORIZONTAL CENTERS WITH 2-8g X  
2" CSK Sq S.S. SELF TAPPING SCREWS THROUGH  
THE CLADDING BATTENS



**Archimax Limited**

16 Ha Crescent, Wiri 2104 New Zealand

[www.archimax.co.nz](http://www.archimax.co.nz)

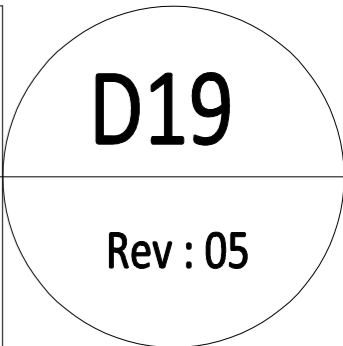
@ ARCHIMAX CLADDING - All Rights Reserved

Non-Soffit

Archimax AM 100-1 - Horizontal Weatherboard

Cavity System

Scale: NTS



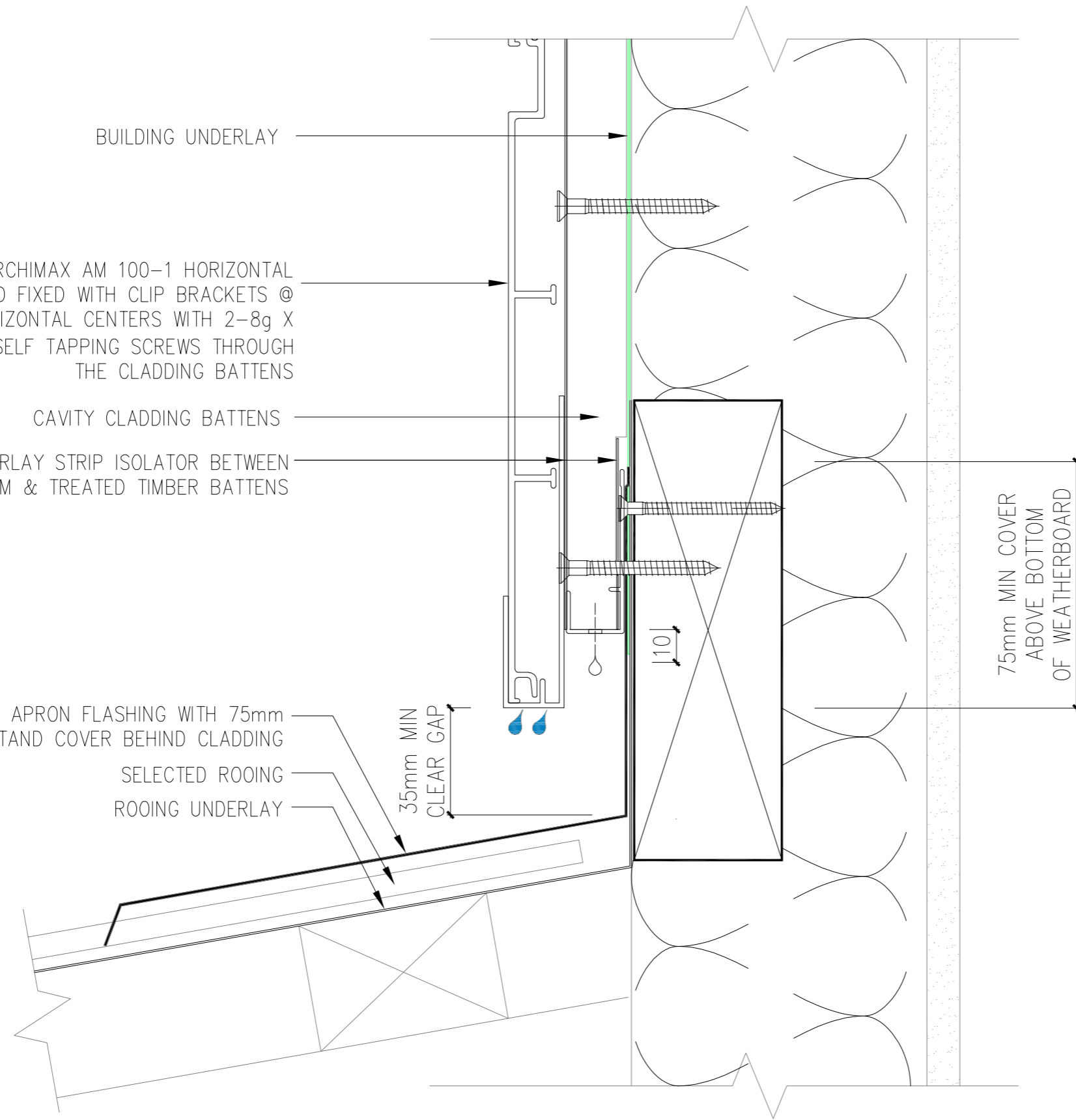
D19

Rev : 05

1 ARCHIMAX AM 100-1 HORIZONTAL WEATHERBOARD FIXED WITH CLIP BRACKETS @ 600mm MAX HORIZONTAL CENTERS WITH 2-8g X 2" CSK Sq S.S. SELF TAPPING SCREWS THROUGH THE CLADDING BATTENS

CAVITY CLADDING BATTENS  
 UNDERLAY STRIP ISOLATOR BETWEEN ALUMINIUM & TREATED TIMBER BATTENS

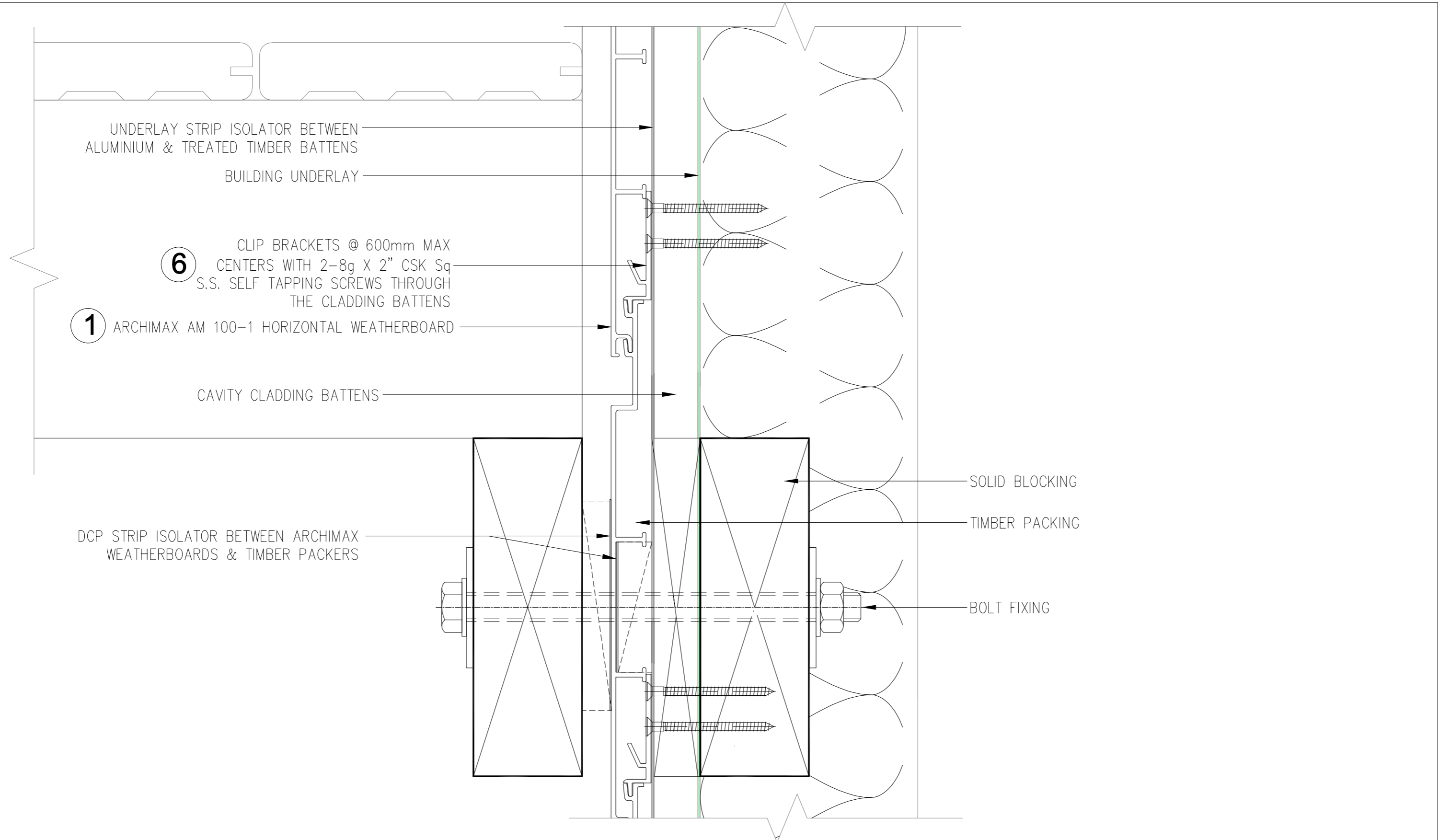
APRON FLASHING WITH 75mm UPSTAND COVER BEHIND CLADDING  
 SELECTED ROOING  
 ROOING UNDERLAY



**Archimax Limited**  
 16 Ha Crescent, Wiri 2104 New Zealand  
 www.archimax.co.nz  
 @ ARCHIMAX CLADDING - All Rights Reserved

**Roof-Wall Junction**  
**Archimax AM 100-1 - Horizontal Weatherboard**  
**Cavity System**  
**Scale: NTS**

**D20**  
 Rev : 05



**Archimax Limited**

16 Ha Crescent, Wiri 2104 New Zealand  
 www.archimax.co.nz  
 @ ARCHIMAX CLADDING - All Rights Reserved

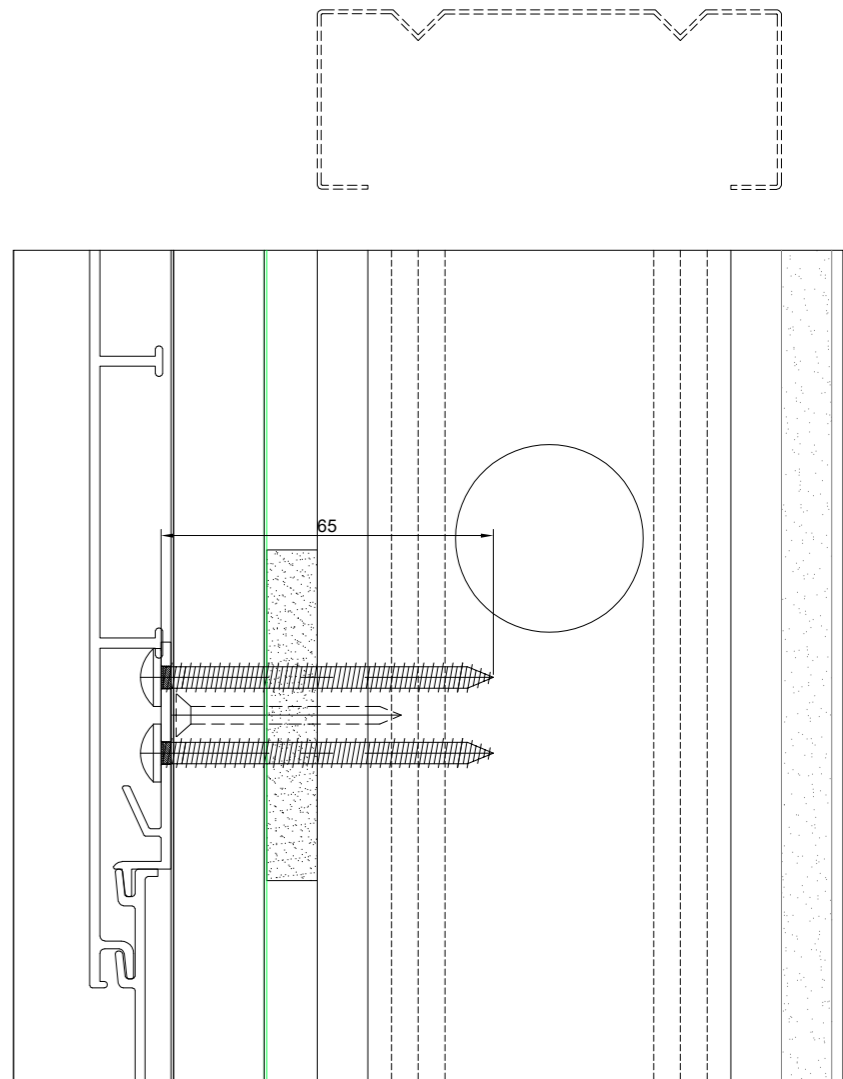
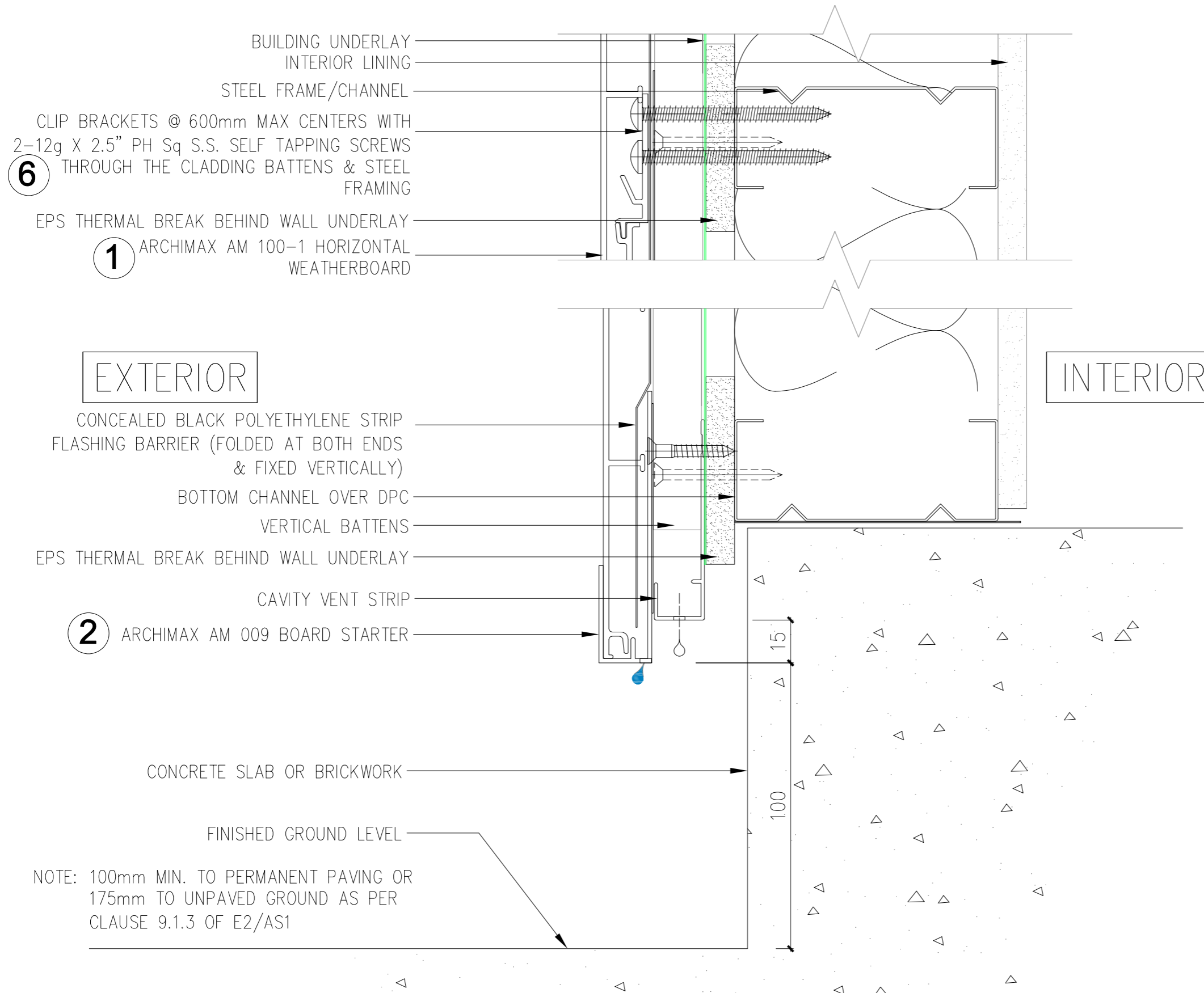
Deck Junction  
 Archimax AM 100-1 - Horizontal Weatherboard

Cavity System  
 Scale: NTS

D21

Rev : 05





NOTE:

- WIND ZONES AND/OR APPLIED PRESSURES (STEEL FRAMING):  
EXTRA HIGH - STUDS/NOGS @ 400mm CENTERS  
VERY HIGH - STUDS/NOGS @ 600mm CENTERS



**Archimax Limited**  
16 Ha Crescent, Wiri 2104 New Zealand  
www.archimax.co.nz  
@ ARCHIMAX CLADDING - All Rights Reserved

**Steel Stud/Nogs Details**  
**Archimax AM 100-1 - Horizontal Weatherboard**  
**Cavity System**  
**Scale: NTS**

**D22**  
Rev : 05

<p>①</p>	<p>②</p>	<p>③</p>	<p>④</p>	<p>⑤</p>	<p>⑥</p>	<p>⑦</p>	<p>⑧</p>
<p>AM 009 BOARD STARTER</p>	<p>AM 018 END CAPPING PART B</p>	<p>AM 016 JOINTER / JAMB / SILL CAPPING COVER CLIP</p>	<p>AM 017 END CAPPING PART A</p>	<p>AM 029 CLIP BRACKET</p>	<p>AM 019 INTERNAL/EXTERNAL CORNER PART A</p>	<p>AM 023 INTERNAL CORNER COVER CLIP</p>	
<p>⑨</p>	<p>⑩</p>	<p>⑪</p>	<p>⑫</p>	<p>⑬</p>			
<p>AM 100-1 ARCHIMAX HORIZONTAL/ VERTICAL WEATHERBOARD</p>	<p>AM 022 INTERNAL CORNER PART B</p>	<p>AM 021 EXTERNAL CORNER PART B</p>	<p>AM 020 EXTERNAL CORNER COVER CLIP</p>	<p>AM 025 JOINTER PART A</p>	<p>AM 024 JOINTER PART B</p>		



**Archimax Limited**  
 16 Ha Crescent, Wiri 2104 New Zealand  
[www.archimax.co.nz](http://www.archimax.co.nz)  
 @ ARCHIMAX CLADDING - All Rights Reserved

**Parts Profile**  
 Archimax AM 100-1 - Horizontal Weatherboard

**Cavity System**  
 Scale: NTS

**D23**

Rev : 05