

AM 300 - Horizontal Weatherboard (DETAILS)



- HW01 - ELEVATION / SECTIONS
- HW02 - PLANS
- D01 - WINDOW HEAD DETAIL
- D02 - WINDOW SILL DETAIL
- D03 - WINDOW JAMB DETAIL
- D04 - INTERNAL CORNER DETAIL
- D05 - EXTERNAL CORNER DETAIL
- D06 - HORIZONTAL JOINT / INTER-STOREY JUNCTION DETAIL
- D07 - BALUSTRADE TOP DETAIL
- D08 - BALUSTRADE JUNCTION DETAIL
- D09 - SOFFIT DETAIL
- D10 - BOTTOM DETAIL
- D11 - PIPE PENETRATION DETAIL
- D12 - VERTICAL DETAIL
- D13 - METER BOX HEAD DETAIL
- D14 - METER BOX SILL DETAIL
- D15 - METER BOX JAMB DETAIL
- D16 - CONCRETE FLOOR BOARD STARTER DETAIL
- D17 - PARAPET DETAIL
- D18 - PARAPET ON CAVITY DETAIL
- D19 - NON-SOFFIT DETAIL
- D20 - ROOF WALL JUNCTION DETAIL
- D21 - DECK JUNCTION DETAIL
- D22 - STEEL STUD/NOGS DETAIL
- D23 - PARTS PROFILE



ARCHIMAX CLADDING

Archimax Limited

16 Ha Crescent, Wiri 2104 New Zealand

www.archimax.co.nz

@ ARCHIMAX CLADDING - All Rights Reserved

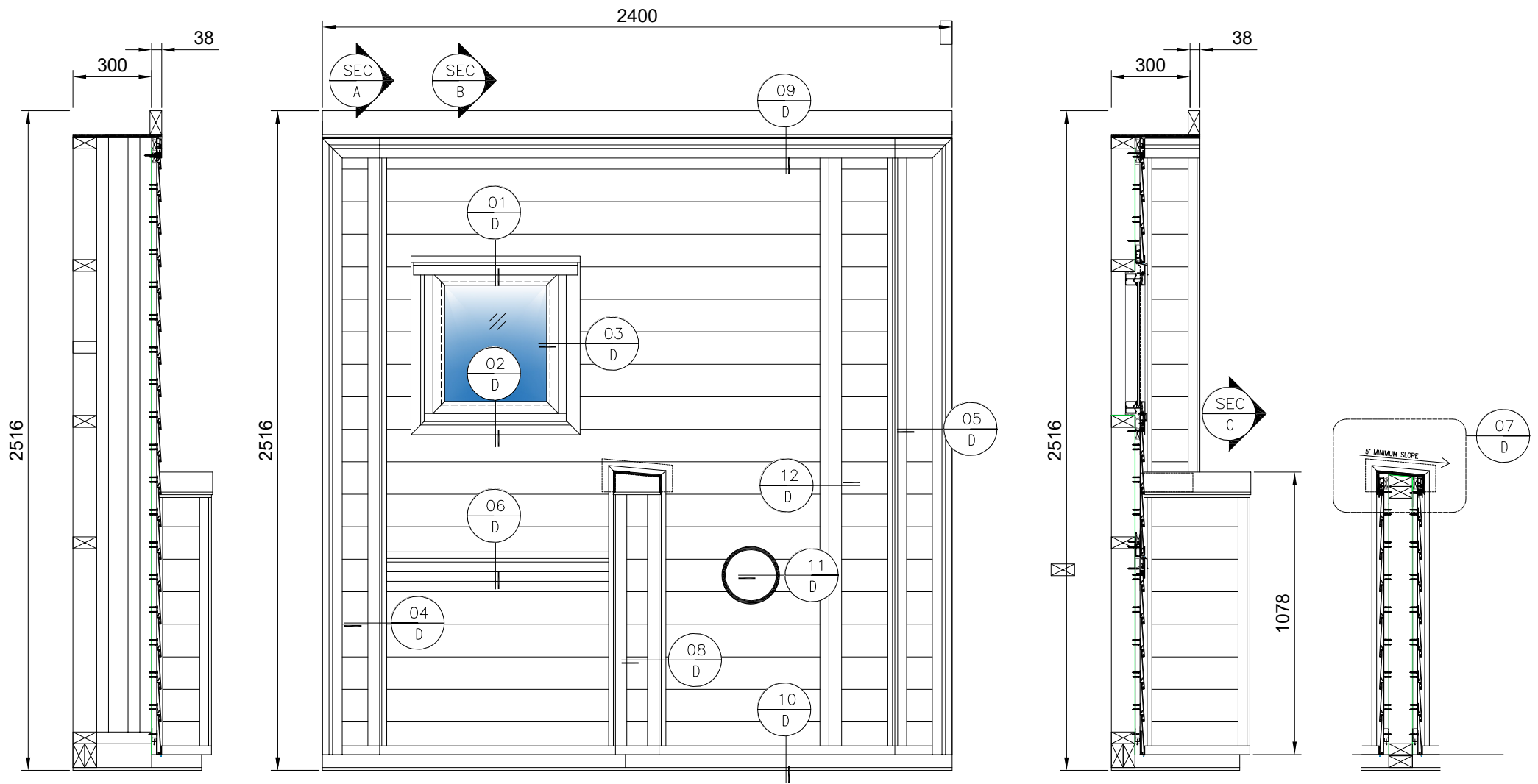
Archimax AM 300 Horizontal Weatherboard

Cavity System

Scale: NTS

HW00

Rev : 05



SECTION A

ELEVATION

SECTION B

SECTION C

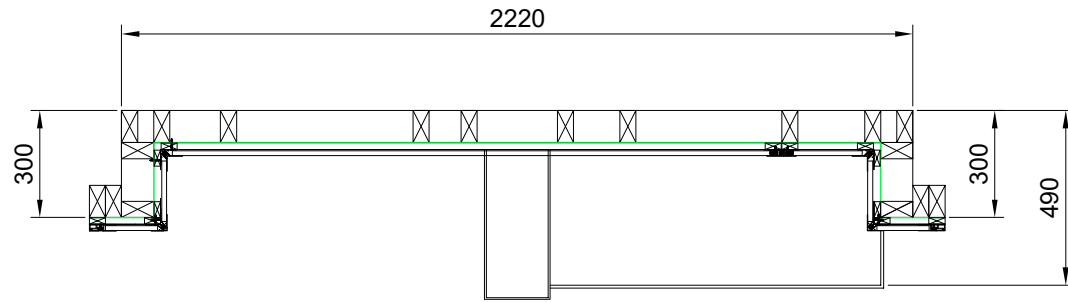


Archimax Limited
 16 Ha Crescent, Wiri 2104 New Zealand
www.archimax.co.nz
 @ ARCHIMAX CLADDING - All Rights Reserved

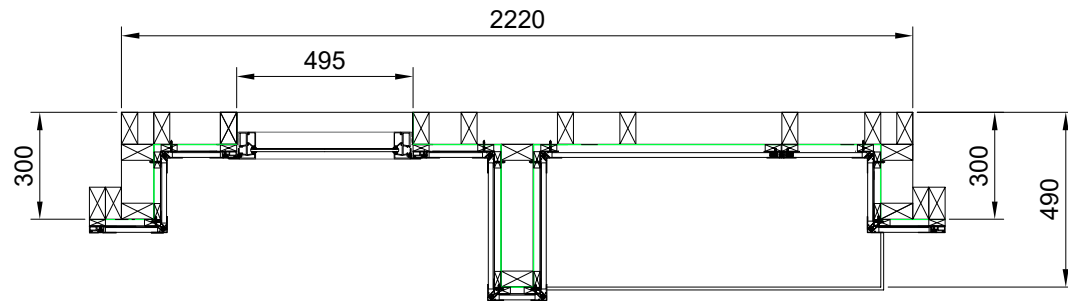
Elevation / Sections
 Archimax AM 300 Horizontal Weatherboard

Cavity System
 Scale: NTS

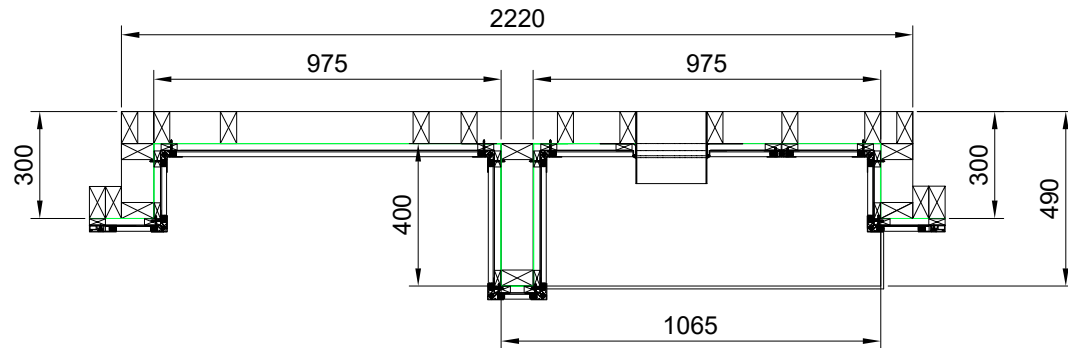
HW01
 Rev : 05



PLAN (TOP)



PLAN (@ WINDOW)



PLAN (BOTTOM)

NOTE:

- MAXIMUM NOG/STUD & BATTEN SPACING @ 600mm CENTERS (AS PER NZS 3604 FOR STRUCTURE AND E2/AS1 FOR ROOF & WALL CLADDING)
- CAVITY BATTENS FIXED TO STUD/NOGS @ 600mm CENTERS
- WIND ZONES AND/OR APPLIED PRESSURES:
EXTRA HIGH – STUDS/NOGS @ 400mm CENTERS (STEEL)
VERY HIGH – STUDS/NOGS @ 600mm CENTERS
- CAVITY BATTENS MAY REQUIRE MACHINING, PACKER/SHIMS TO ENSURE BOARDS ARE FITTED FLAT WITHOUT DISTORSION
- UNDERLAY ISOLATOR STRIPS REQUIRED BETWEEN BATTENS & ALUMINIUM CLADDING (ONLY IF TREATED TIMBER IS USED AS BATTENS)
- CAVITY CLOSERS REQUIRED. DRAINED & VENTED CAVITY AS PER NZBC E2/AS1



ARCHIMAX CLADDING

Archimax Limited

16 Ha Crescent, Wiri 2104 New Zealand

www.archimax.co.nz

@ ARCHIMAX CLADDING - All Rights Reserved

Plans

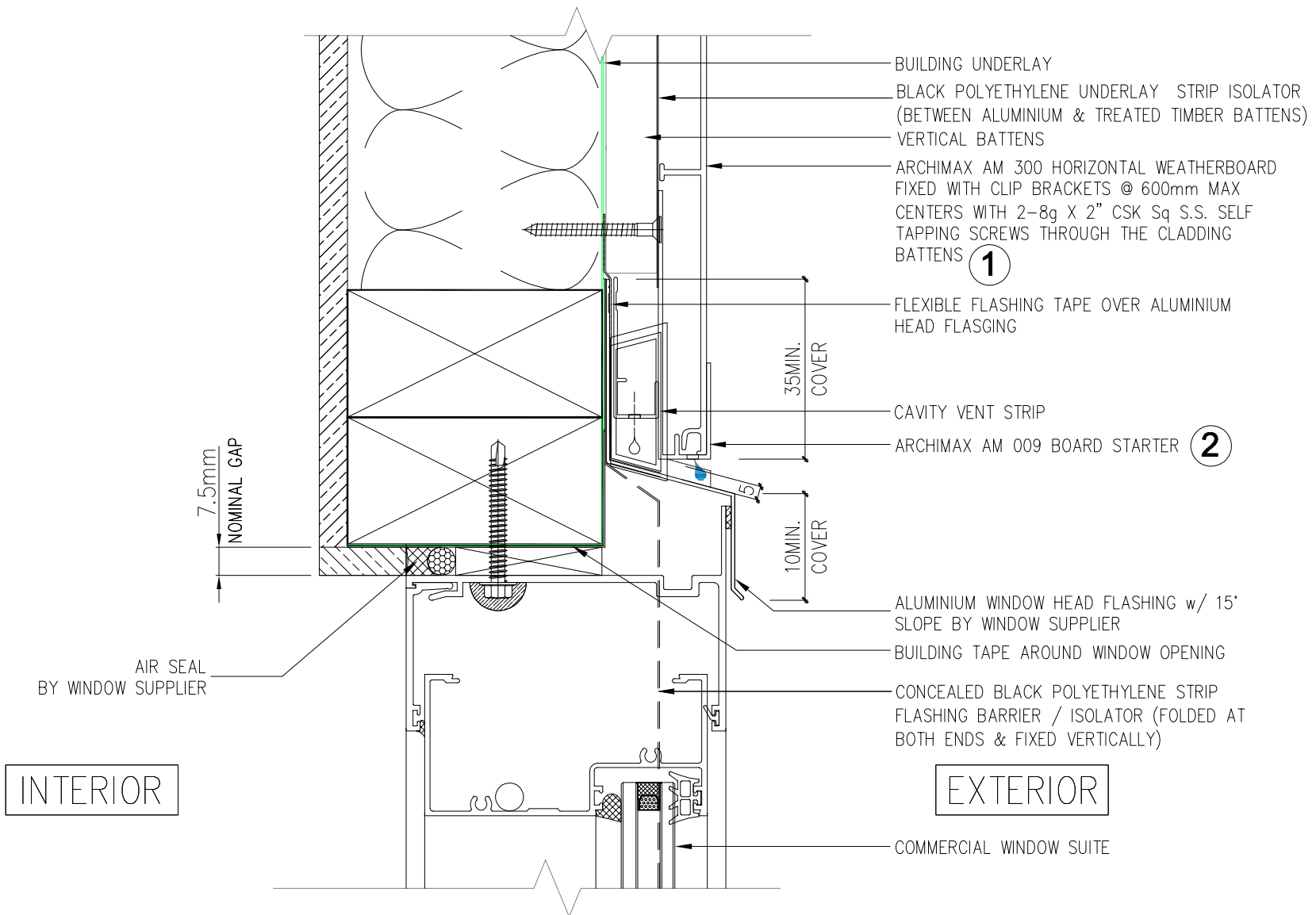
Archimax AM 300 Horizontal Weatherboard

Cavity System

Scale: NTS

HW02

Rev : 05



Archimax Limited

16 Ha Crescent, Wiri 2104 New Zealand
www.archimax.co.nz
 @ ARCHIMAX CLADDING - All Rights Reserved

Window Head Detail

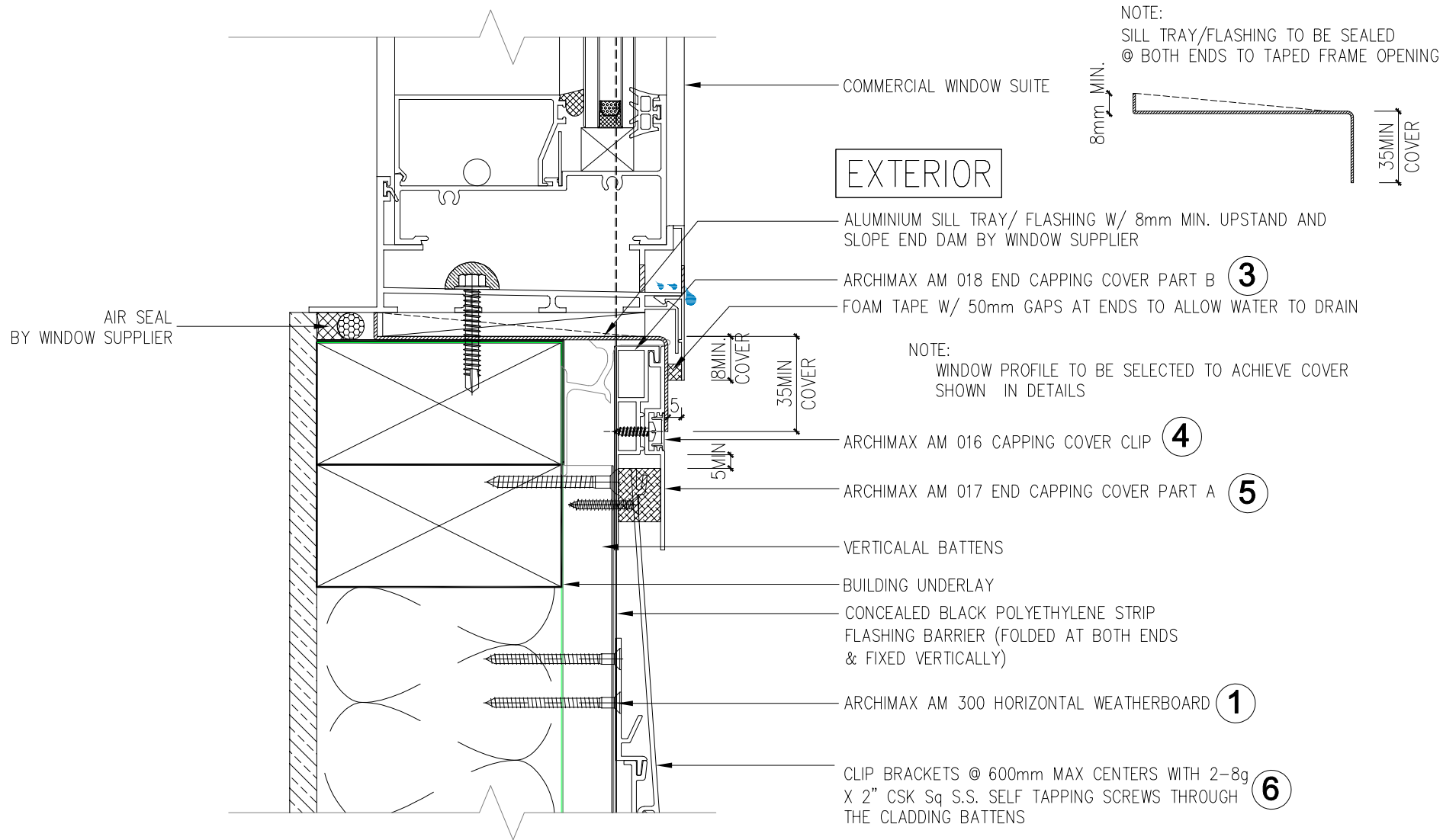
Archimax AM 300 - Horizontal Weatherboard

Cavity System

Scale: NTS

D01

Rev : 05



ARCHIMAX CLADDING

Archimax Limited

16 Ha Crescent, Wiri 2104 New Zealand

www.archimax.co.nz

@ ARCHIMAX CLADDING - All Rights Reserved

Window Sill Detail

Archimax AM 300 - Horizontal Weatherboard

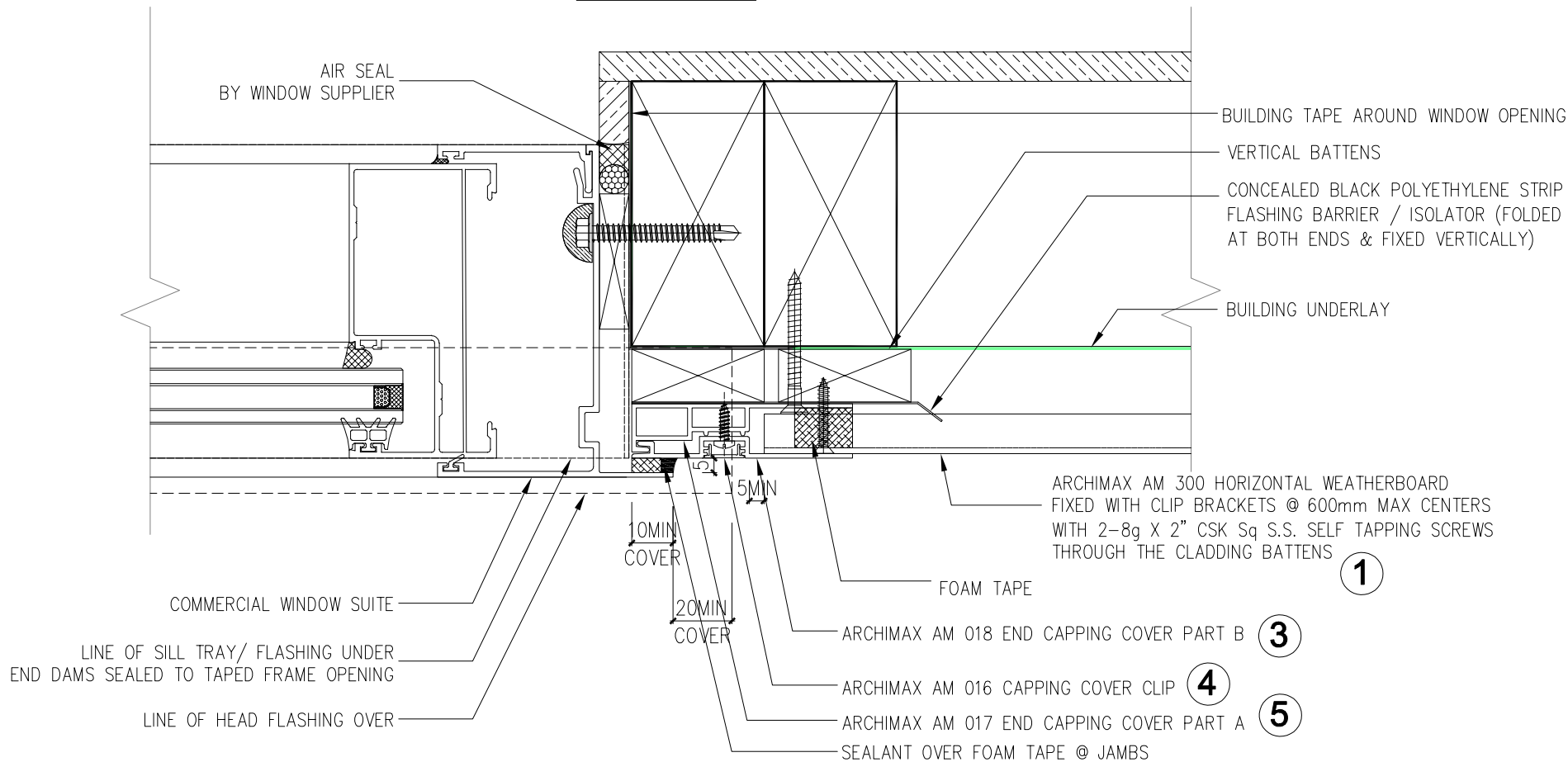
Cavity System

Scale: NTS

D02

Rev : 05

INTERIOR



EXTERIOR



Archimax Limited

16 Ha Crescent, Wiri 2104 New Zealand
www.archimax.co.nz
@ ARCHIMAX CLADDING - All Rights Reserved

Window Jamb Detail

Archimax AM 300 - Horizontal Weatherboard

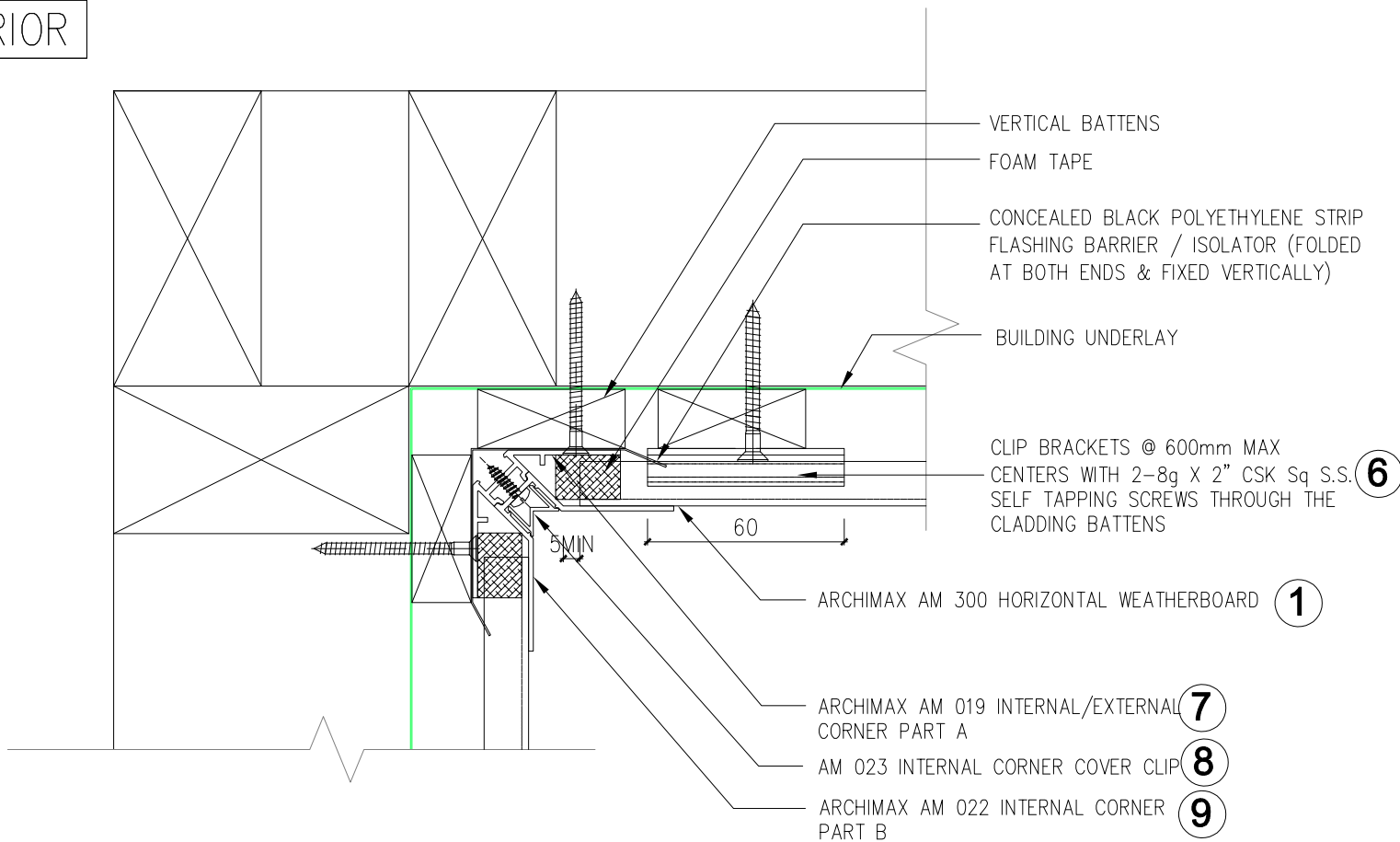
Cavity System

Scale: NTS

D03

Rev : 05

INTERIOR



VERTICAL BATTENS
FOAM TAPE
CONCEALED BLACK POLYETHYLENE STRIP
FLASHING BARRIER / ISOLATOR (FOLDED
AT BOTH ENDS & FIXED VERTICALLY)

BUILDING UNDERLAY

CLIP BRACKETS @ 600mm MAX
CENTERS WITH 2-8g X 2" CSK Sq S.S. (6)
SELF TAPPING SCREWS THROUGH THE
CLADDING BATTENS

ARCHIMAX AM 300 HORIZONTAL WEATHERBOARD (1)

ARCHIMAX AM 019 INTERNAL/EXTERNAL
CORNER PART A (7)

AM 023 INTERNAL CORNER COVER CLIP (8)

ARCHIMAX AM 022 INTERNAL CORNER
PART B (9)

EXTERIOR

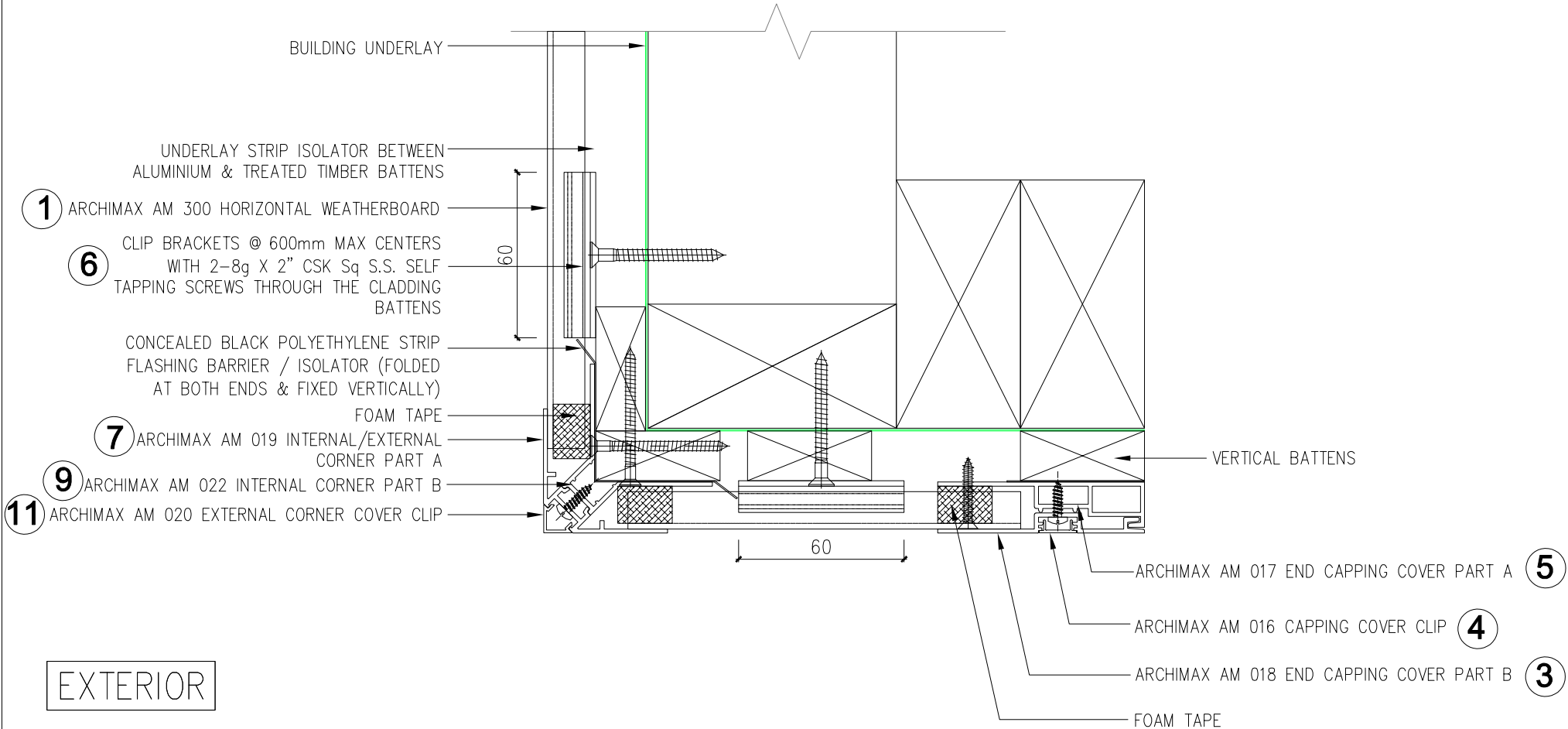


Archimax Limited
16 Ha Crescent, Wiri 2104 New Zealand
www.archimax.co.nz
@ ARCHIMAX CLADDING - All Rights Reserved

Internal Corner Detail
Archimax AM 300 - Horizontal Weatherboard
Cavity System
Scale: NTS

D04
Rev : 05

INTERIOR



Archimax Limited

16 Ha Crescent, Wiri 2104 New Zealand
www.archimax.co.nz
 @ ARCHIMAX CLADDING - All Rights Reserved

**External Corner Detail
 Archimax AM 300 - Horizontal Weatherboard**

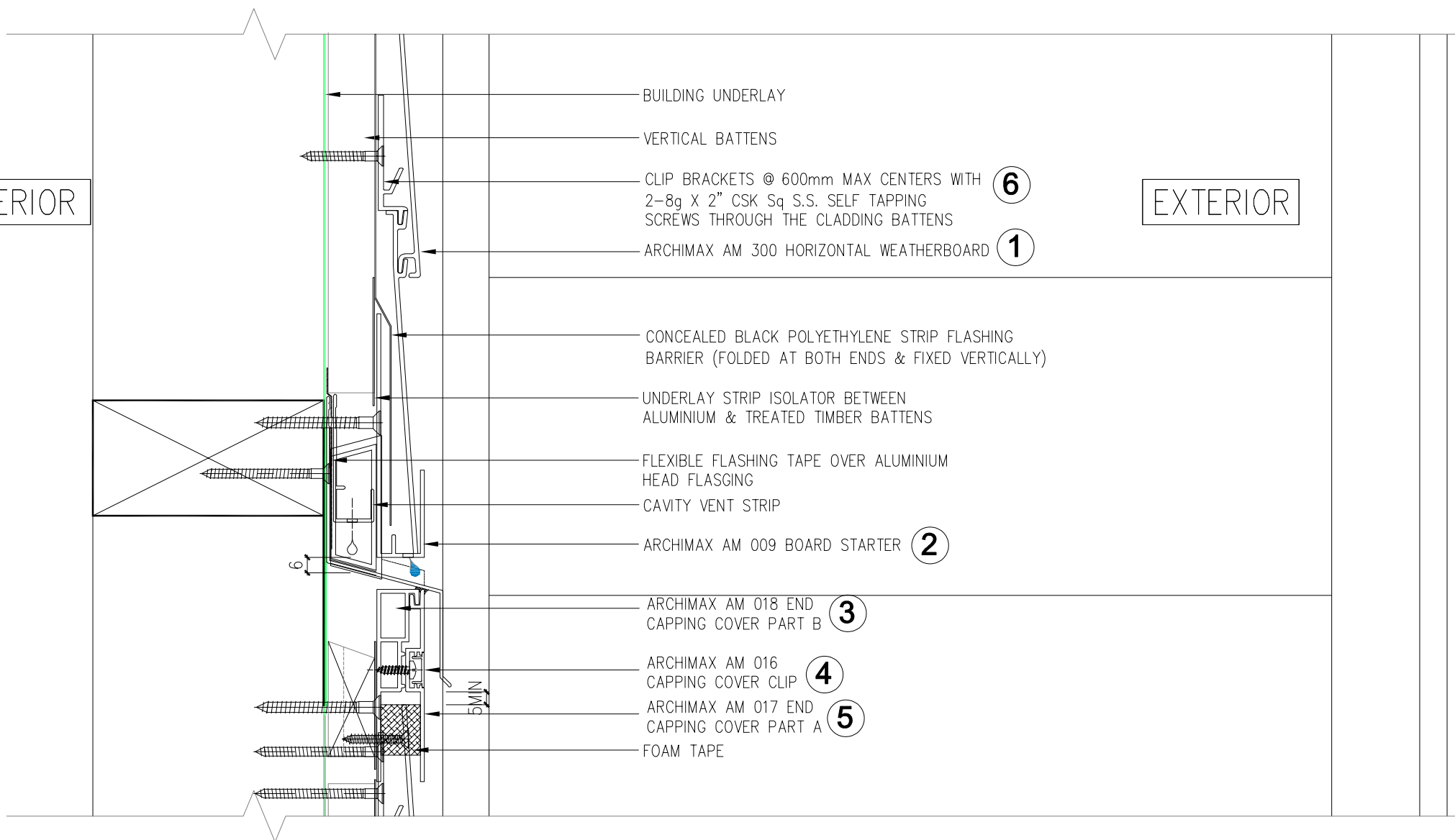
**Cavity System
 Scale: NTS**

D05

Rev : 05

INTERIOR

EXTERIOR



BUILDING UNDERLAY

VERTICAL BATTENS

CLIP BRACKETS @ 600mm MAX CENTERS WITH 2-8g X 2" CSK Sq S.S. SELF TAPPING SCREWS THROUGH THE CLADDING BATTENS (6) (1)

ARCHIMAX AM 300 HORIZONTAL WEATHERBOARD (1)

CONCEALED BLACK POLYETHYLENE STRIP FLASHING BARRIER (FOLDED AT BOTH ENDS & FIXED VERTICALLY)

UNDERLAY STRIP ISOLATOR BETWEEN ALUMINIUM & TREATED TIMBER BATTENS

FLEXIBLE FLASHING TAPE OVER ALUMINIUM HEAD FLASHING

CAVITY VENT STRIP

ARCHIMAX AM 009 BOARD STARTER (2)

ARCHIMAX AM 018 END CAPPING COVER PART B (3)

ARCHIMAX AM 016 CAPPING COVER CLIP (4)

ARCHIMAX AM 017 END CAPPING COVER PART A (5)

FOAM TAPE

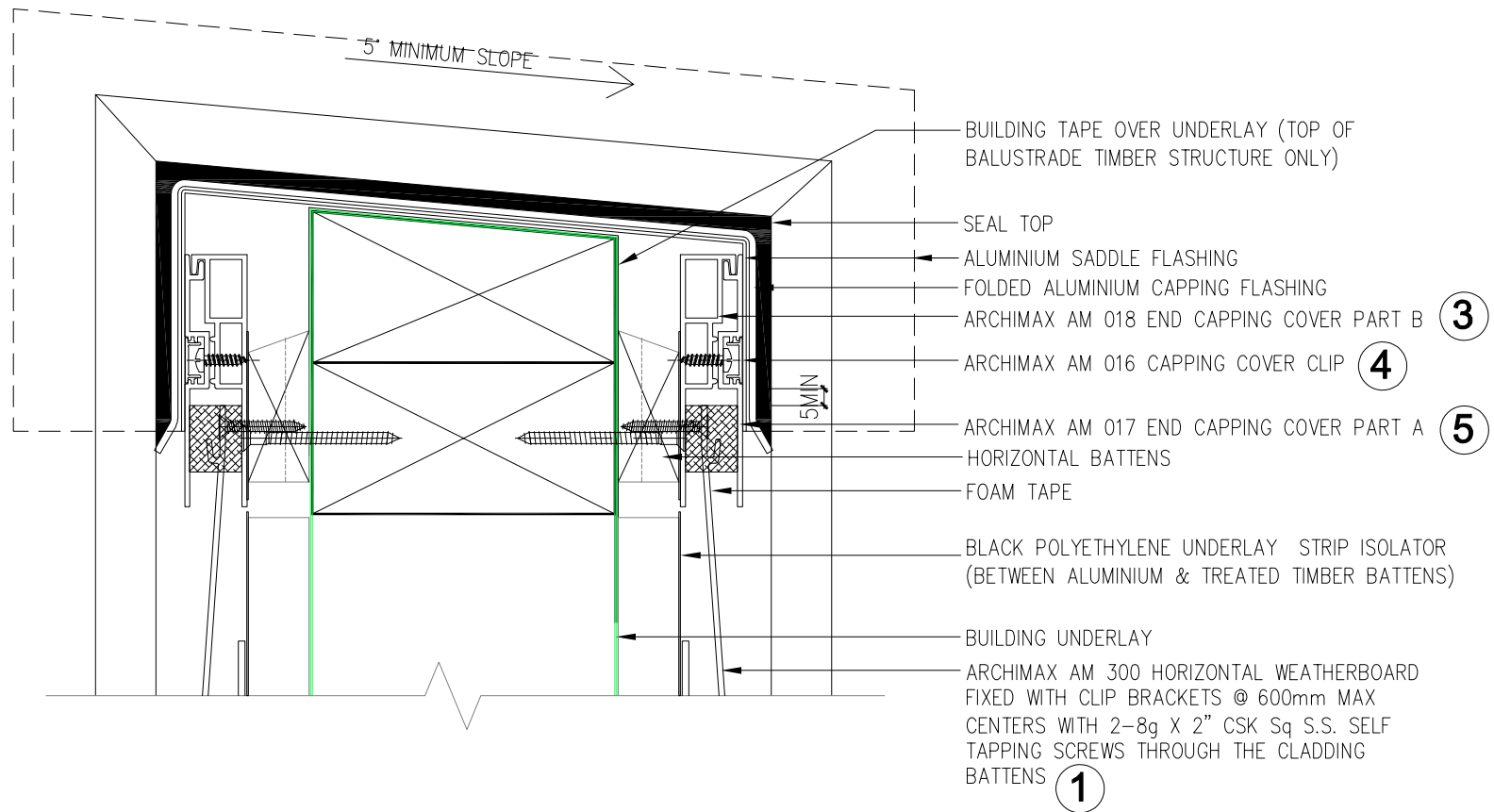
5MM



Archimax Limited
 16 Ha Crescent, Wiri 2104 New Zealand
 www.archimax.co.nz
 @ ARCHIMAX CLADDING - All Rights Reserved

Horizontal Joint Detail
Archimax AM 300 - Horizontal Weatherboard
Cavity System
 Scale: NTS

D06
 Rev : 05



Archimax Limited

16 Ha Crescent, Wiri 2104 New Zealand
www.archimax.co.nz
 @ ARCHIMAX CLADDING - All Rights Reserved

Balustrade Detail

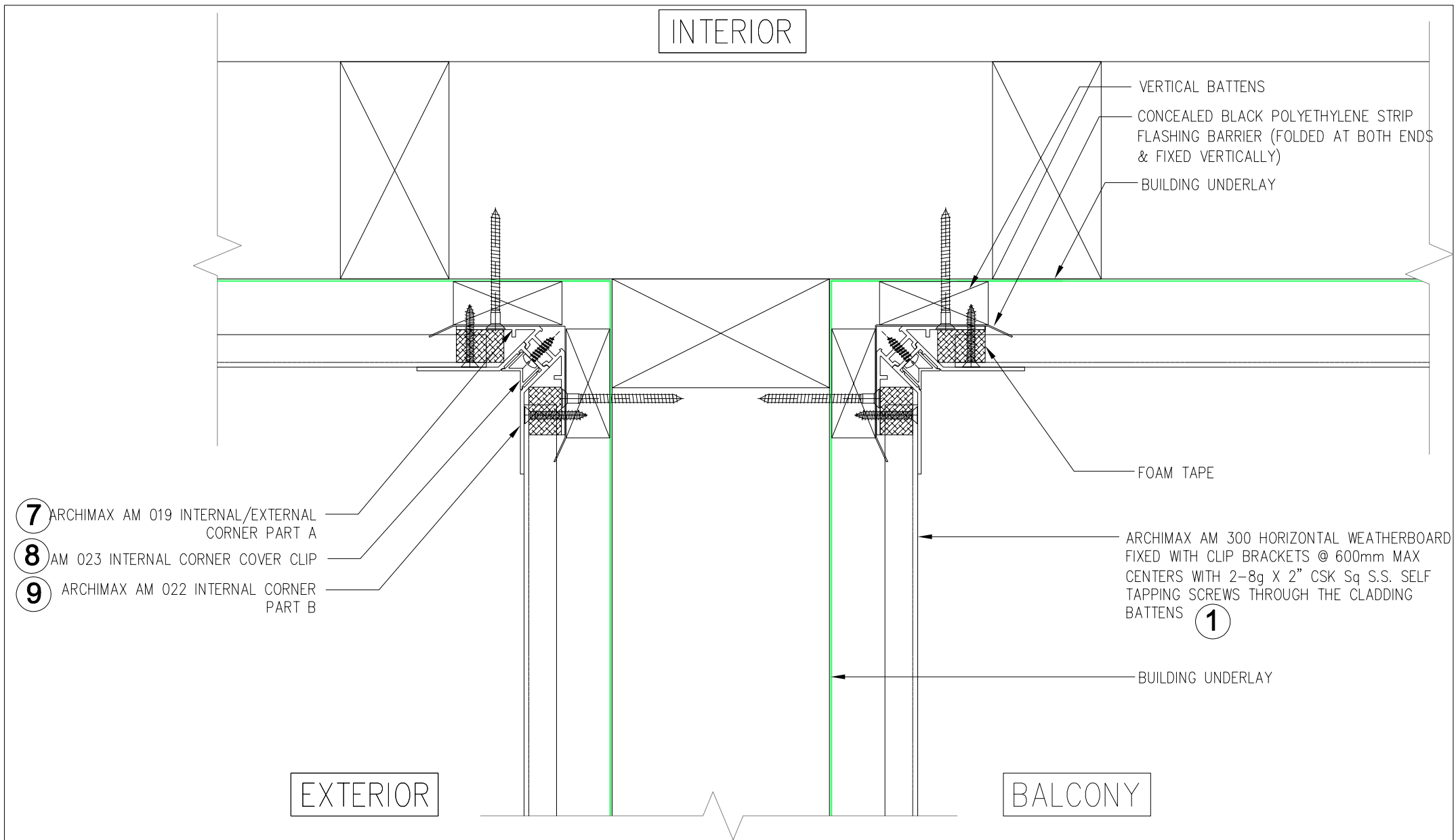
Archimax AM 300 - Horizontal Weatherboard

Cavity System

Scale: NTS

D07

Rev : 05




ARCHIMAX CLADDING

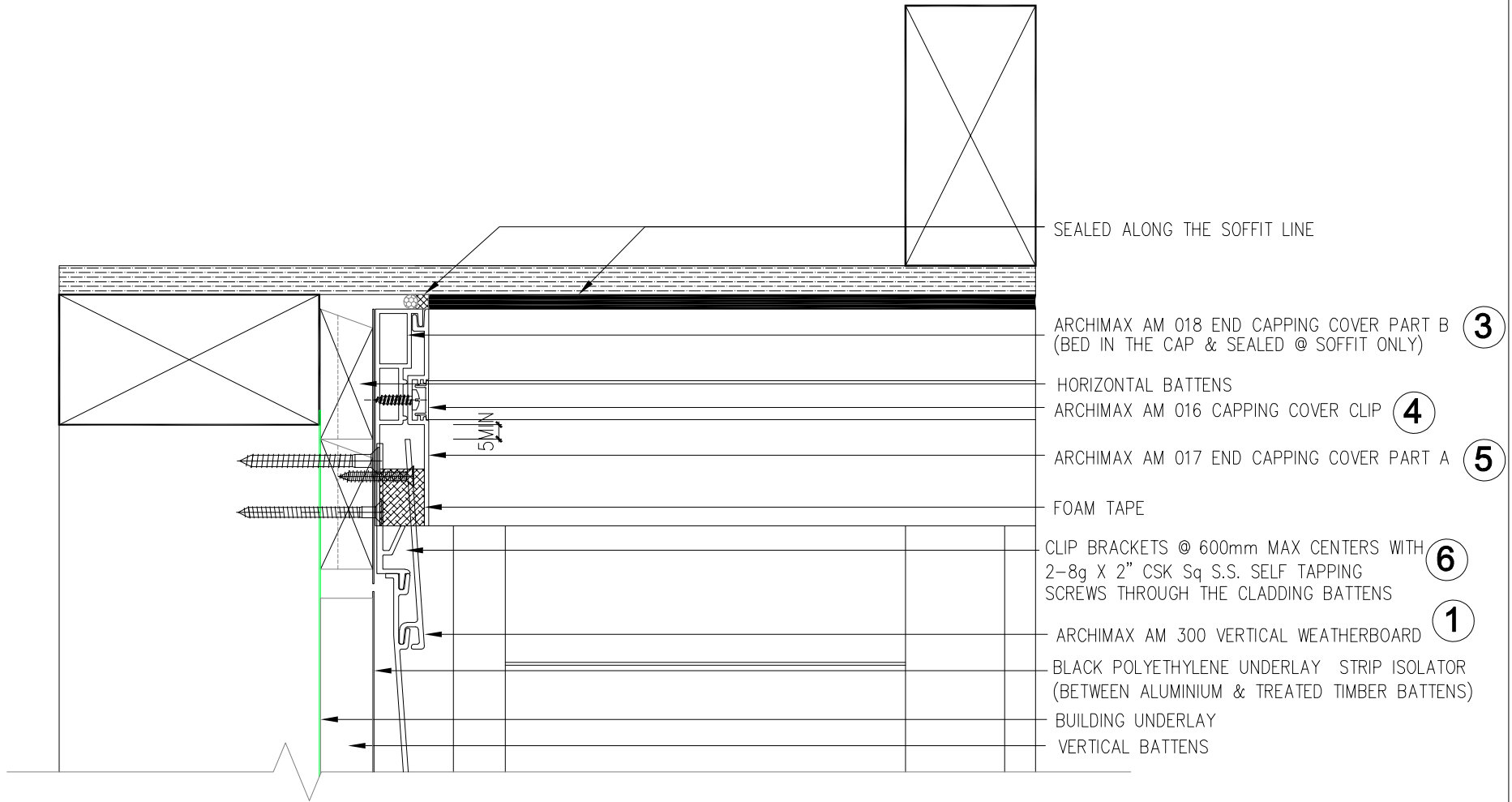
Archimax Limited
 16 Ha Crescent, Wiri 2104 New Zealand
www.archimax.co.nz
 @ ARCHIMAX CLADDING - All Rights Reserved

Balustrade Junction Detail
Archimax AM 300 - Horizontal Weatherboard

Cavity System
 Scale: NTS

D08

Rev : 05



INTERIOR

EXTERIOR



Archimax Limited

16 Ha Crescent, Wiri 2104 New Zealand
www.archimax.co.nz

@ ARCHIMAX CLADDING - All Rights Reserved

Soffit Detail

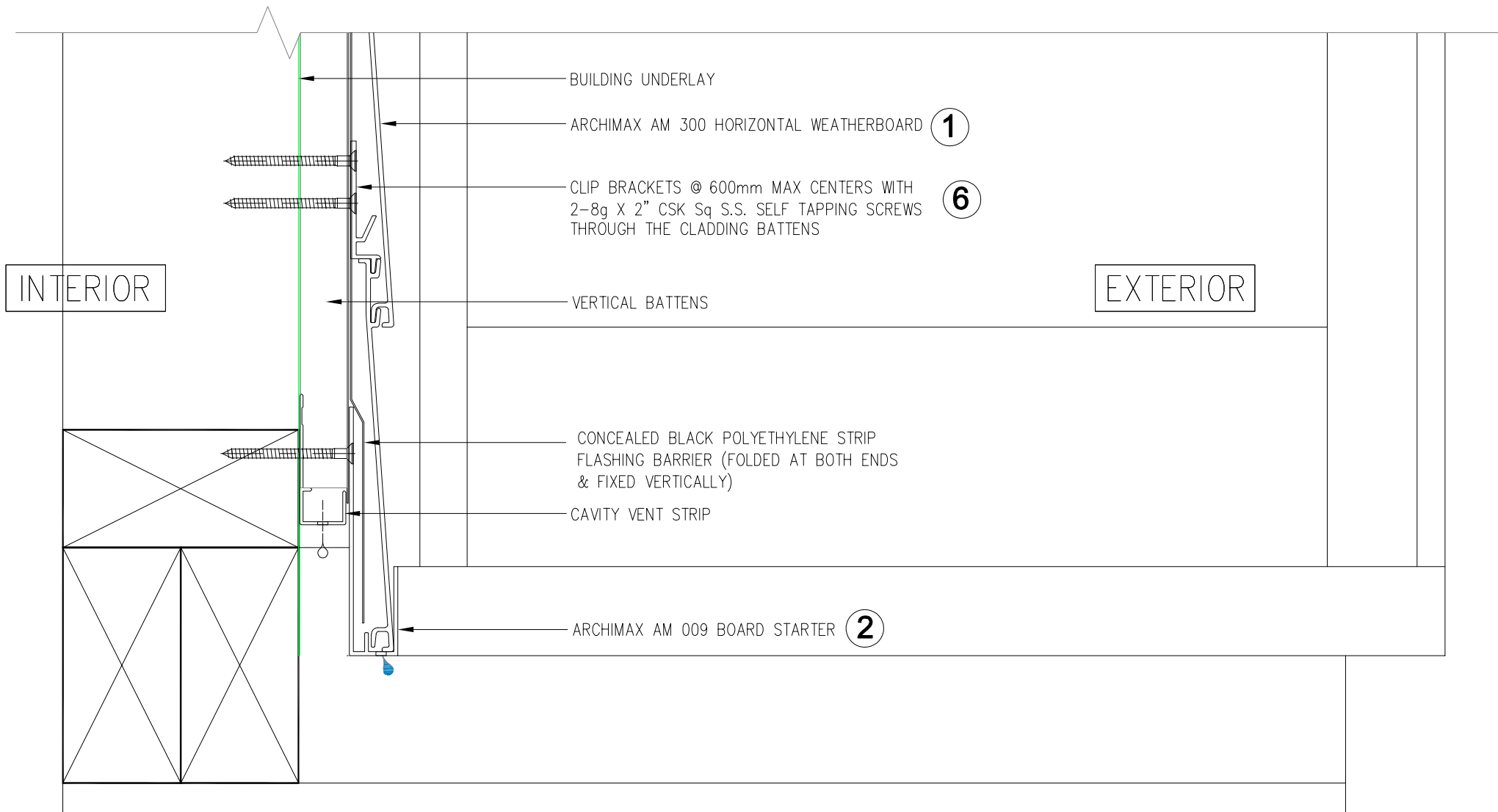
Archimax AM 300 - Horizontal Weatherboard

Cavity System

Scale: NTS

D09

Rev : 05



Archimax Limited

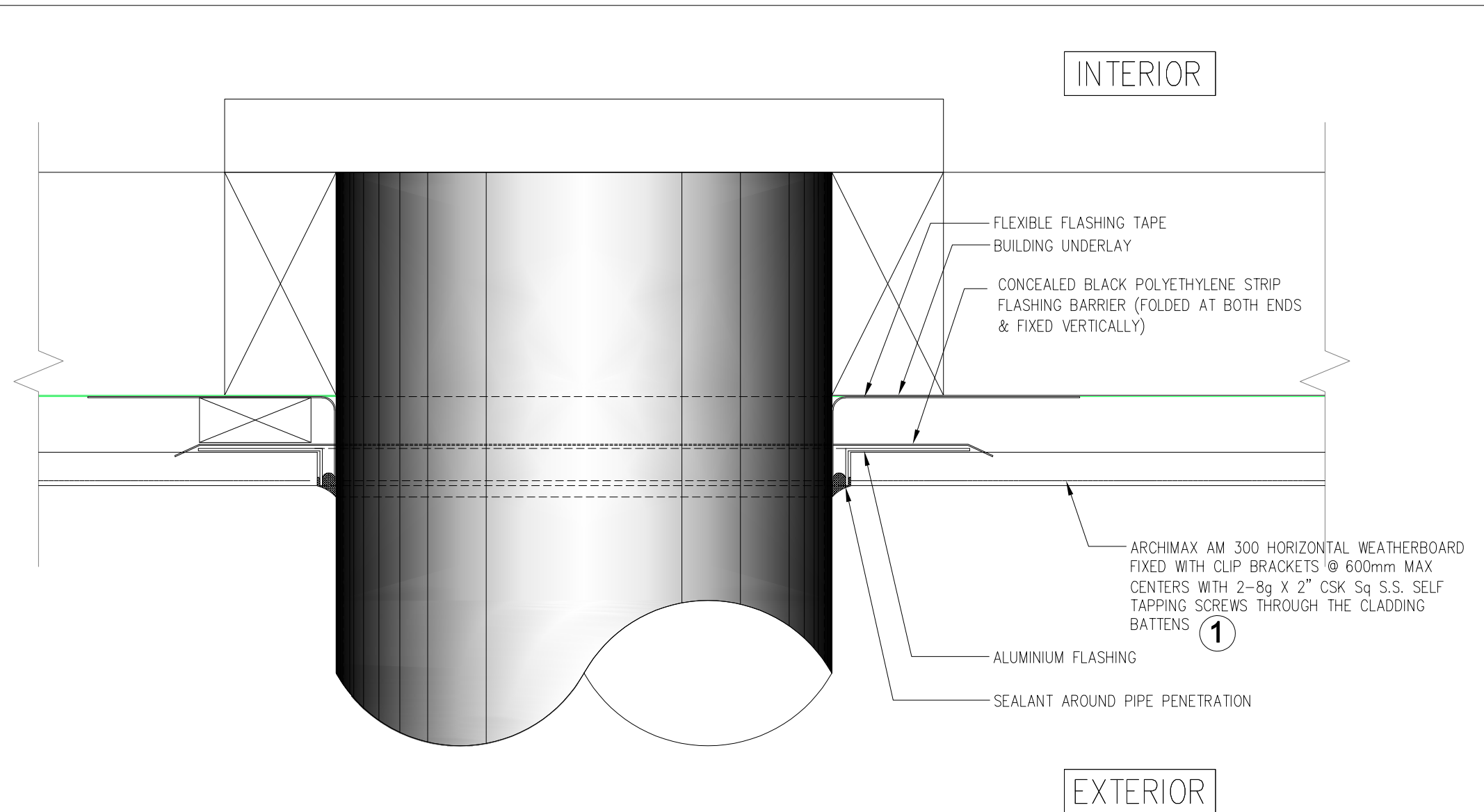
16 Ha Crescent, Wiri 2104 New Zealand
www.archimax.co.nz
 @ ARCHIMAX CLADDING - All Rights Reserved

Bottom Detail
Archimax AM 300 - Horizontal Weatherboard

Cavity System
Scale: NTS

D10

Rev : 05



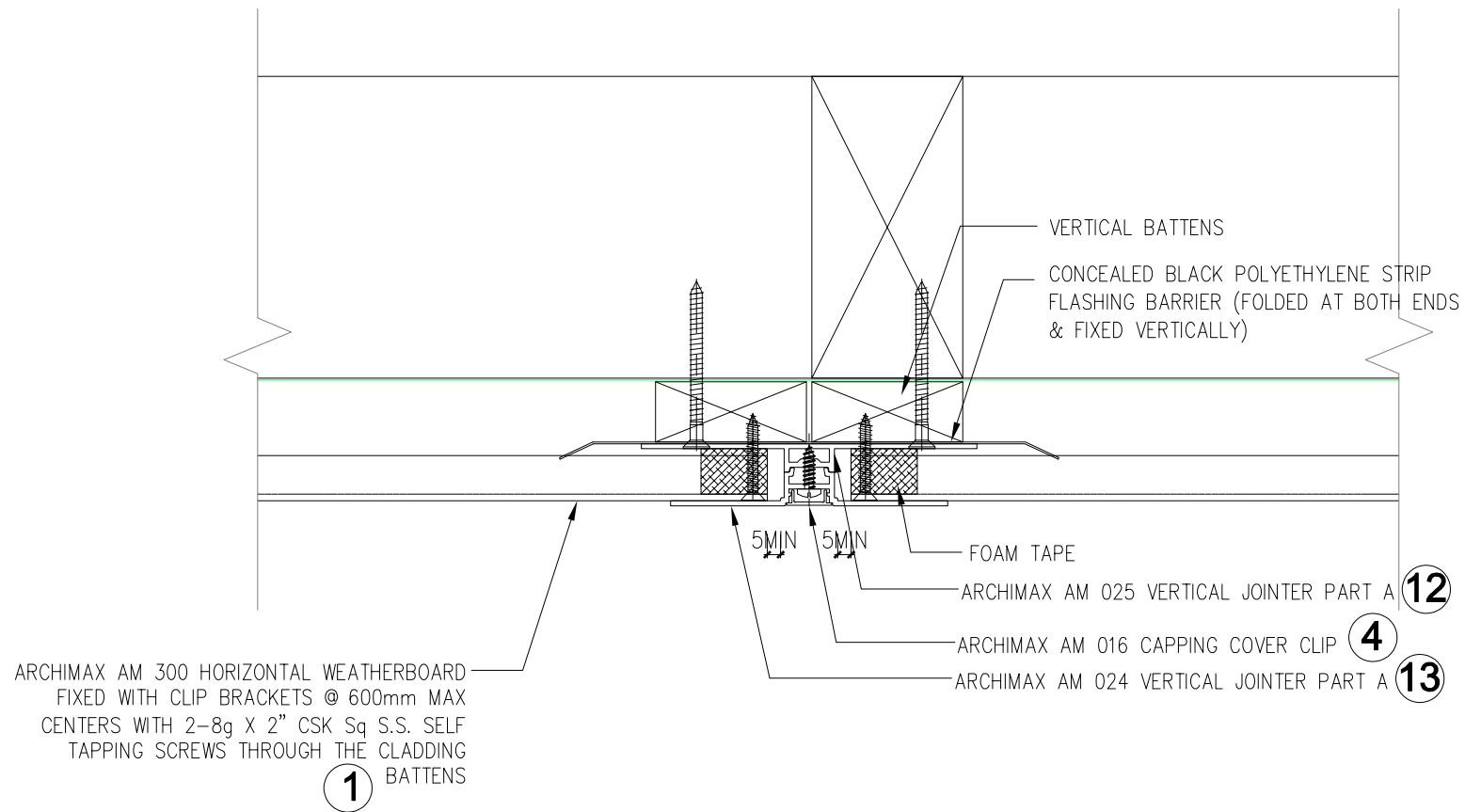
Archimax Limited
 16 Ha Crescent, Wiri 2104 New Zealand
www.archimax.co.nz
 @ ARCHIMAX CLADDING - All Rights Reserved

Pipe Penetration Detail
Archimax AM 300 - Horizontal Weatherboard

Cavity System
 Scale: NTS

D11

Rev : 05



Archimax Limited

16 Ha Crescent, Wiri 2104 New Zealand
www.archimax.co.nz
 @ ARCHIMAX CLADDING - All Rights Reserved

Vertical Joint Detail

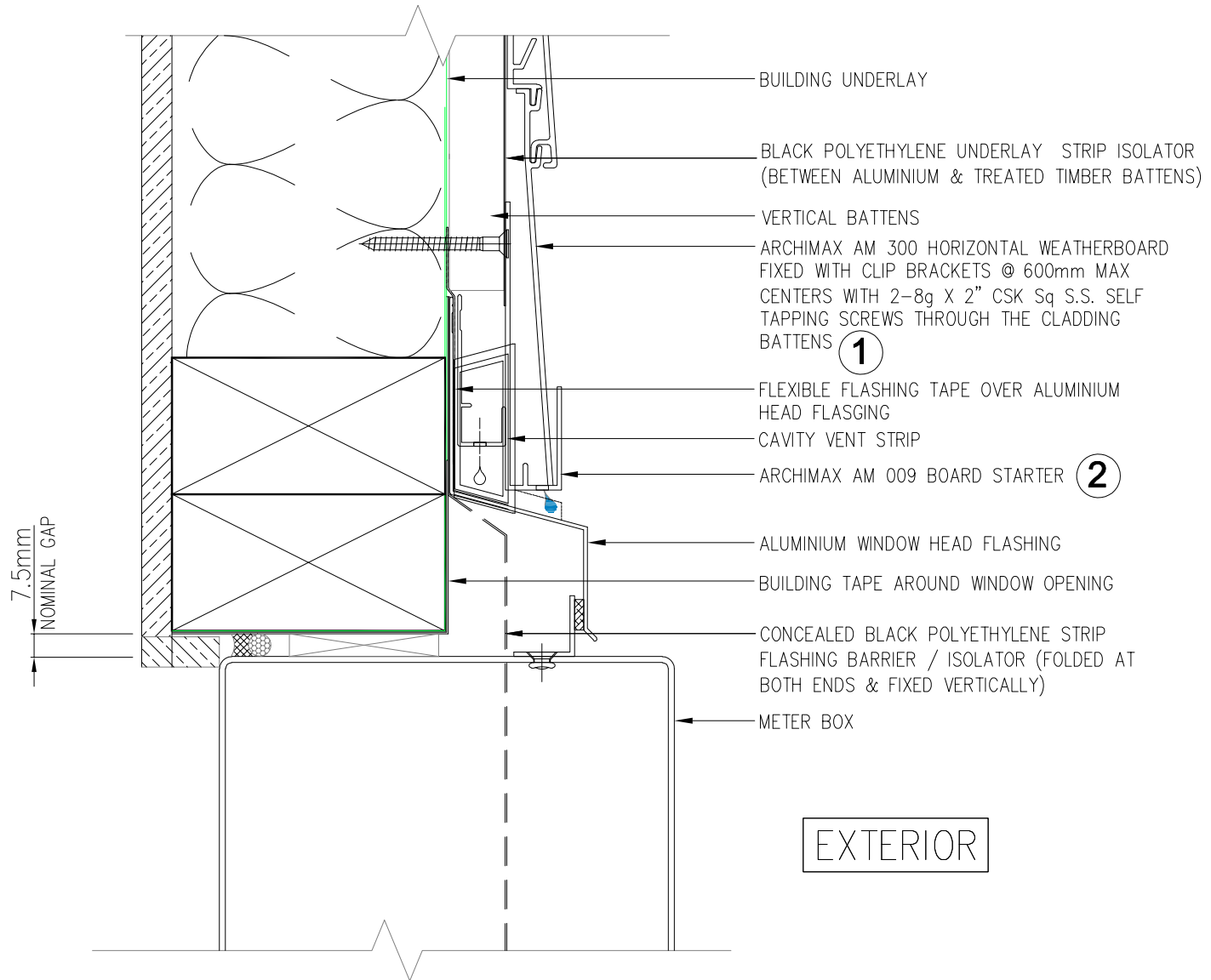
Archimax AM 300 - Horizontal Weatherboard

Cavity System

Scale: NTS

D12

Rev : 05



Archimax Limited

16 Ha Crescent, Wiri 2104 New Zealand
www.archimax.co.nz

@ ARCHIMAX CLADDING - All Rights Reserved

Meter Box Head

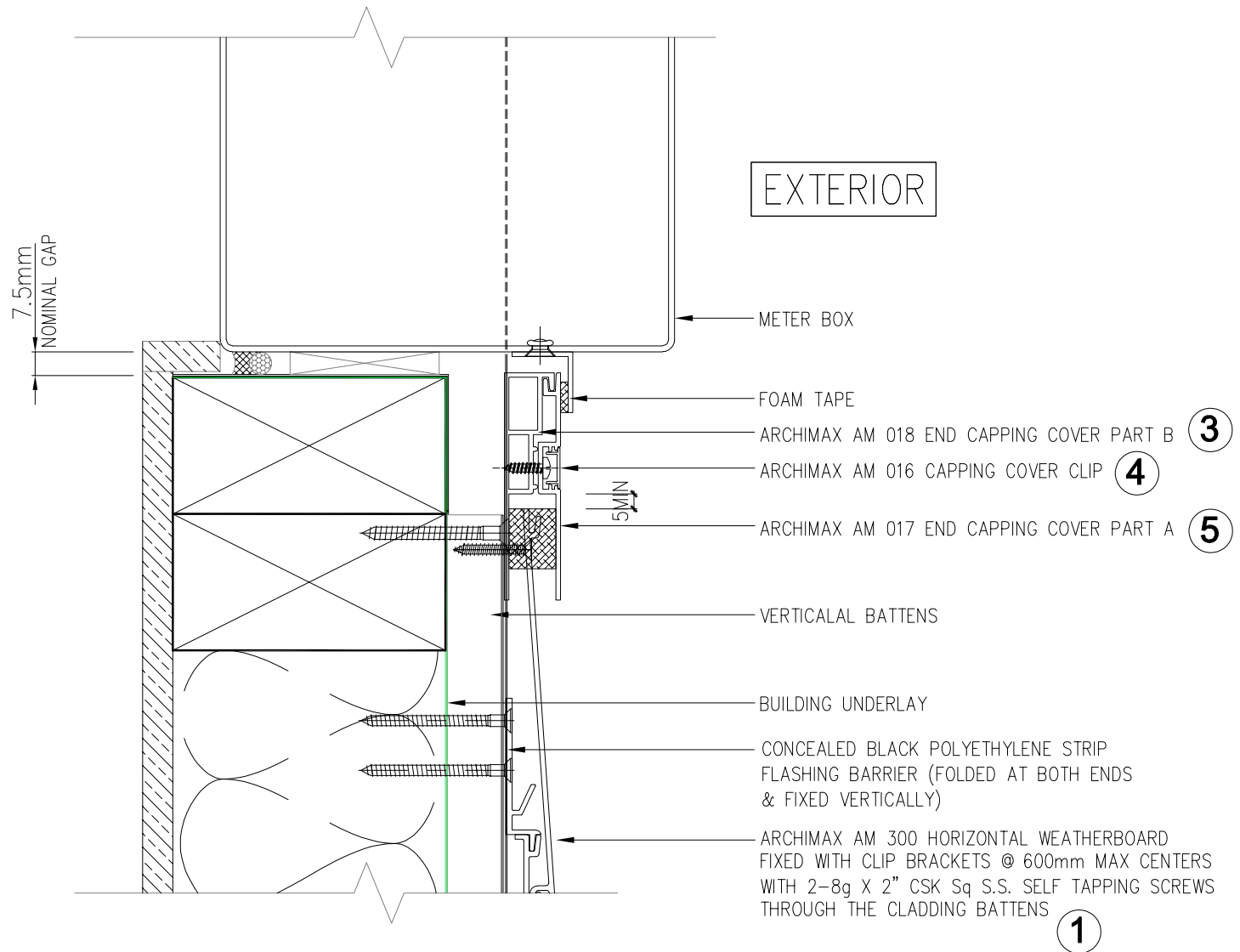
Archimax AM 300 - Horizontal Weatherboard

Cavity System

Scale: NTS

D13

Rev : 05



Archimax Limited

16 Ha Crescent, Wiri 2104 New Zealand
www.archimax.co.nz
 @ ARCHIMAX CLADDING - All Rights Reserved

Meter Box Sill

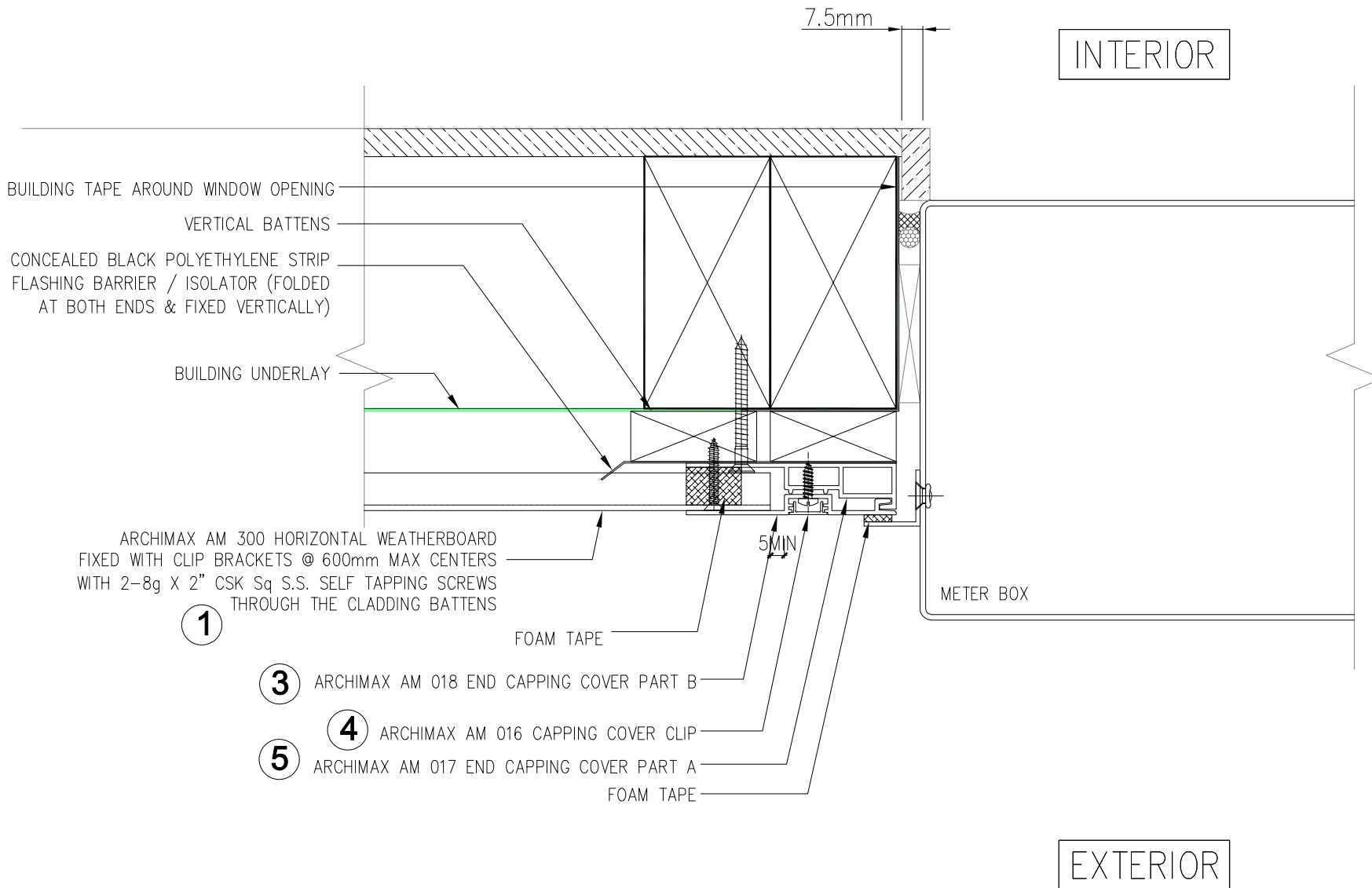
Archimax AM 300 - Horizontal Weatherboard

Cavity System

Scale: NTS

D14

Rev : 05



ARCHIMAX CLADDING

Archimax Limited

16 Ha Crescent, Wiri 2104 New Zealand

www.archimax.co.nz

@ ARCHIMAX CLADDING - All Rights Reserved

Meter Box Jamb

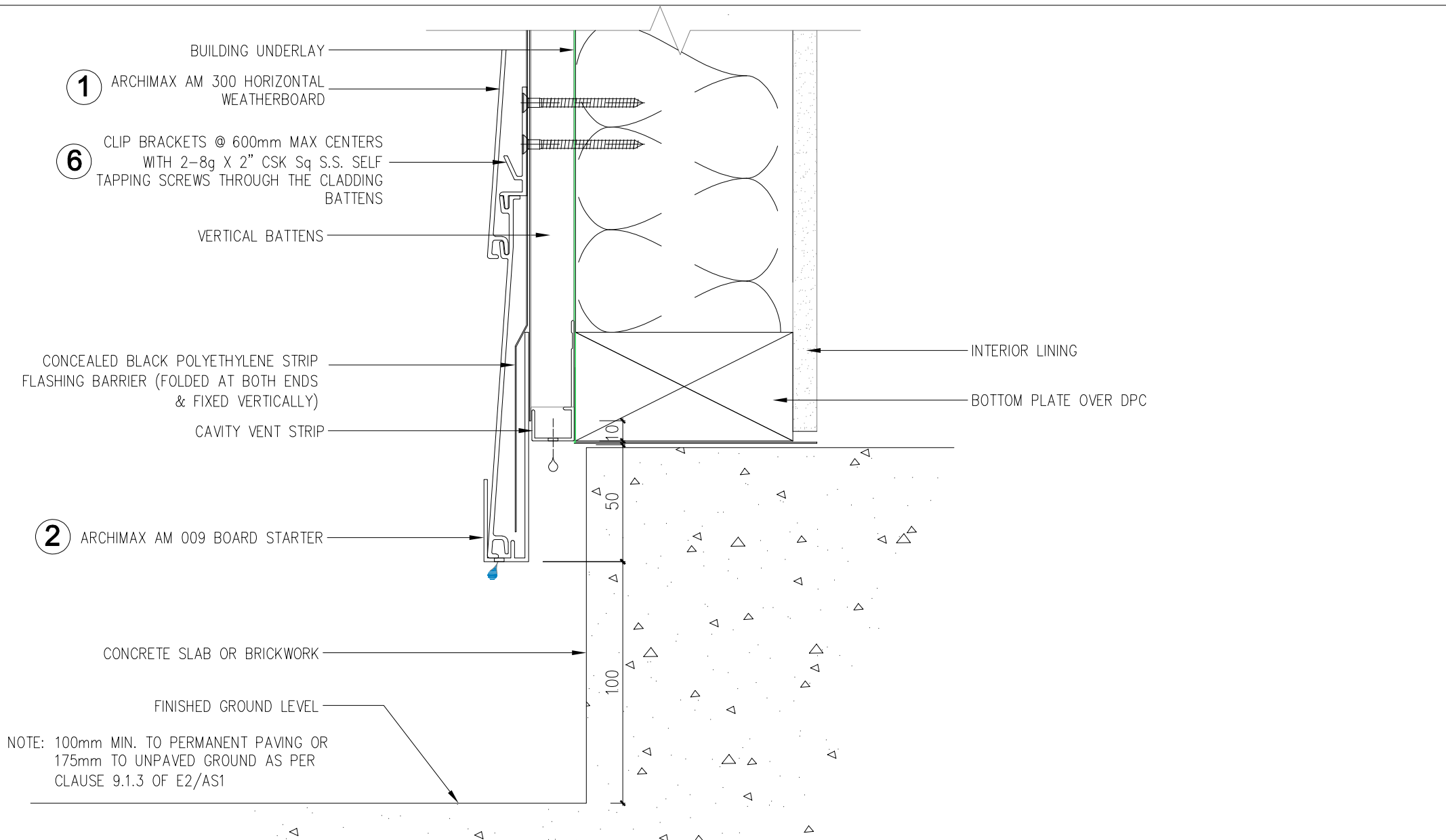
Archimax AM 300 - Horizontal Weatherboard

Cavity System

Scale: NTS

D15

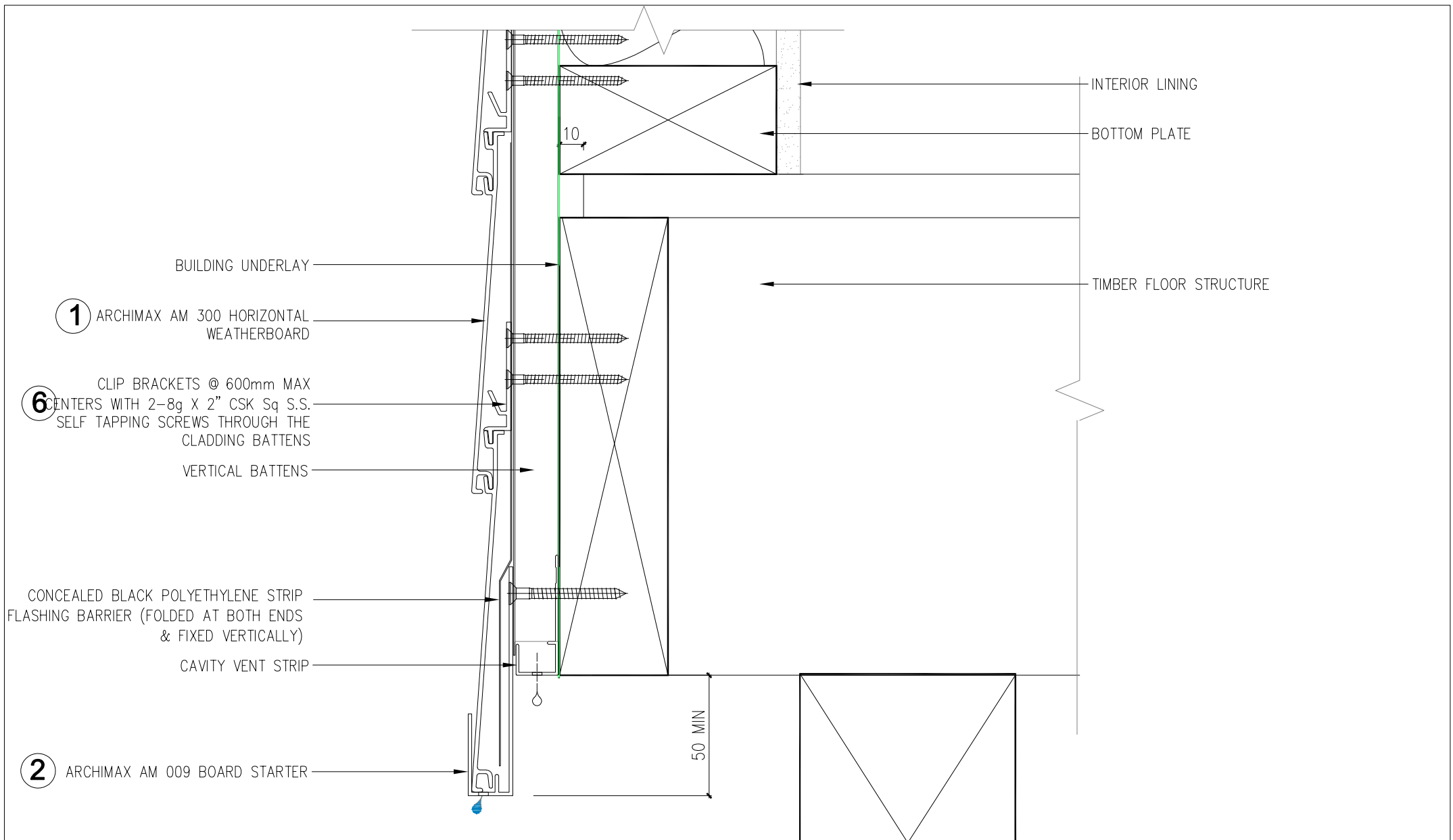
Rev : 05



Archimax Limited
 16 Ha Crescent, Wiri 2104 New Zealand
www.archimax.co.nz
 @ ARCHIMAX CLADDING - All Rights Reserved

Concrete Floor Board Starter
Archimax AM 300 - Horizontal Weatherboard
Cavity System
Scale: NTS

D16
 Rev : 05



Archimax Limited
 16 Ha Crescent, Wiri 2104 New Zealand
www.archimax.co.nz
 @ ARCHIMAX CLADDING - All Rights Reserved

Parapet
Archimax AM 300 - Horizontal Weatherboard
Cavity System
Scale: NTS

D17
 Rev : 05

METAL CAPPING FLASHING
BY OTHERS

H3.1 TREATED TIMBER
PACKER TO FORM SLOPE

5° MINIMUM SLOPE

ARCHIMAX AM 018 END CAPPING COVER PART B
ARCHIMAX AM 017 END CAPPING COVER PART A
ARCHIMAX AM 016 CAPPING COVER CLIP

1 ARCHIMAX AM 300 HORIZONTAL
WEATHERBOARD

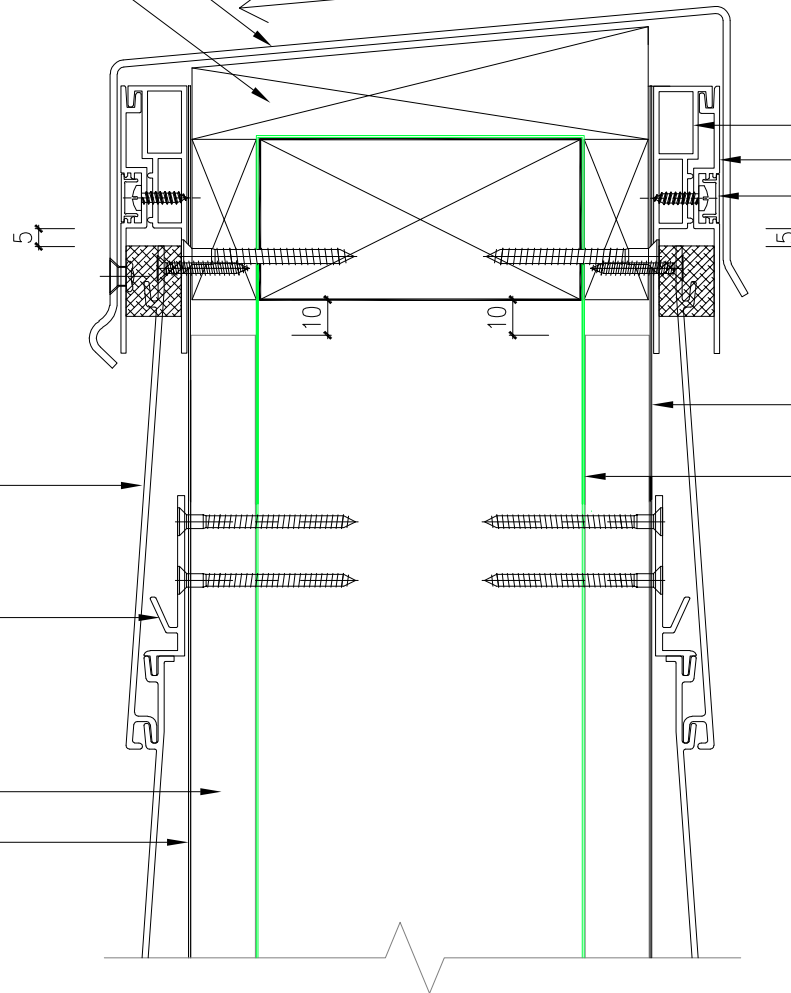
6 CLIP BRACKETS @ 600mm MAX
CENTERS WITH 2-8g X 2" CSK Sq S.S.
SELF TAPPING SCREWS THROUGH THE
CLADDING BATTENS

UNDERLAY STRIP ISOLATOR BETWEEN
ALUMINIUM & TREATED TIMBER BATTENS

CONTINUOUS BUILDING
UNDERLAY OVER FRAME

CAVITY CLADDING BATTENS

UNDERLAY STRIP ISOLATOR
BETWEEN ALUMINIUM &
TREATED TIMBER BATTENS



ARCHIMAX CLADDING

Archimax Limited

16 Ha Crescent, Wiri 2104 New Zealand

www.archimax.co.nz

@ ARCHIMAX CLADDING - All Rights Reserved

Parapet on Cavity

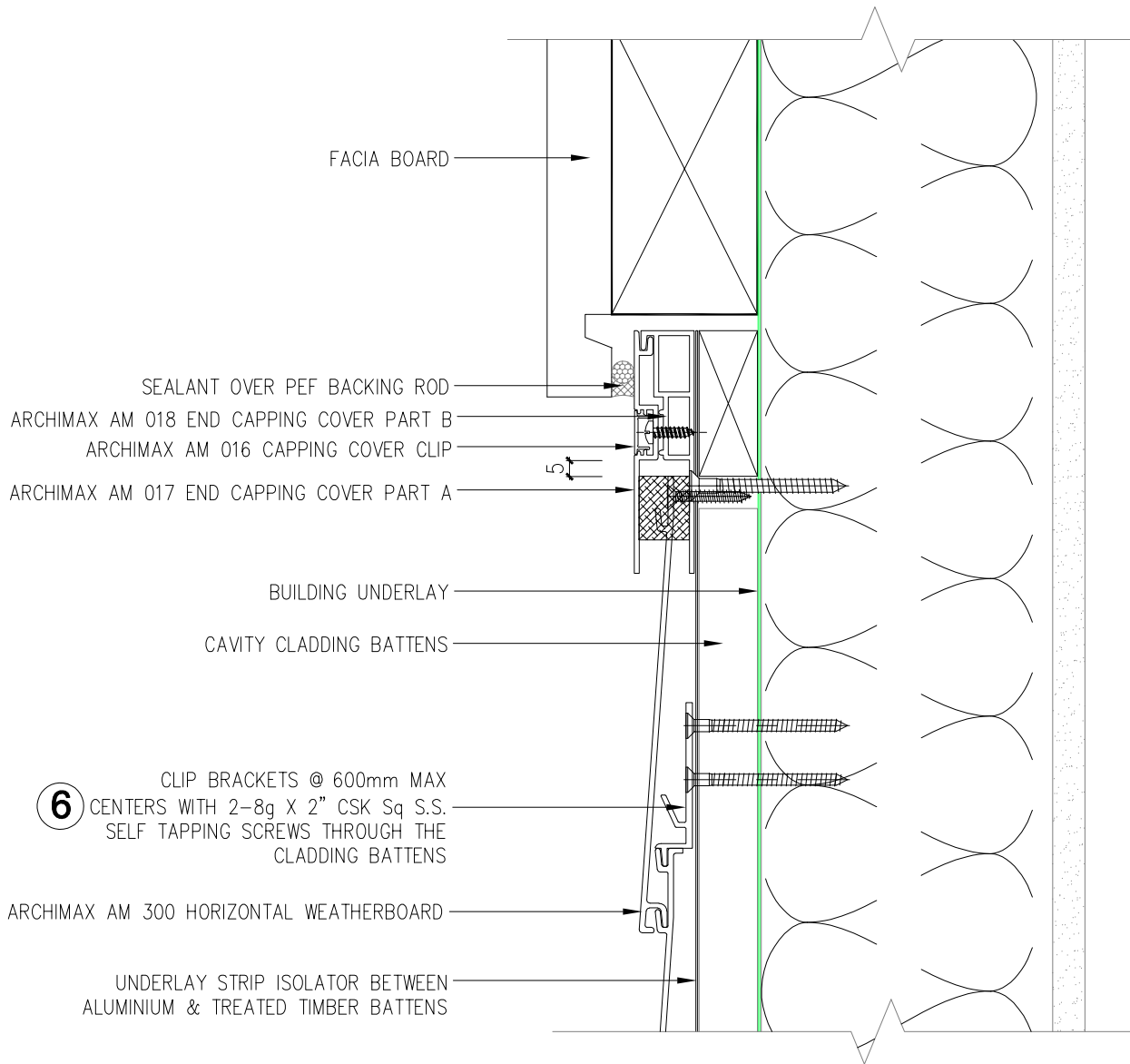
Archimax AM 300 - Horizontal Weatherboard

Cavity System

Scale: NTS

D18

Rev : 05



FACIA BOARD

SEALANT OVER PEF BACKING ROD

ARCHIMAX AM 018 END CAPPING COVER PART B

ARCHIMAX AM 016 CAPPING COVER CLIP

ARCHIMAX AM 017 END CAPPING COVER PART A

BUILDING UNDERLAY

CAVITY CLADDING BATTENS

6 CLIP BRACKETS @ 600mm MAX
CENTERS WITH 2-8g X 2" CSK Sq S.S.
SELF TAPPING SCREWS THROUGH THE
CLADDING BATTENS

1 ARCHIMAX AM 300 HORIZONTAL WEATHERBOARD

UNDERLAY STRIP ISOLATOR BETWEEN
ALUMINIUM & TREATED TIMBER BATTENS



Archimax Limited

16 Ha Crescent, Wiri 2104 New Zealand

www.archimax.co.nz

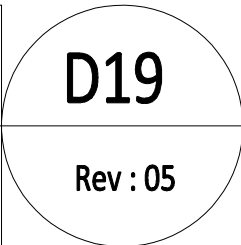
@ ARCHIMAX CLADDING - All Rights Reserved

Non-Soffit

Archimax AM 300 - Horizontal Weatherboard

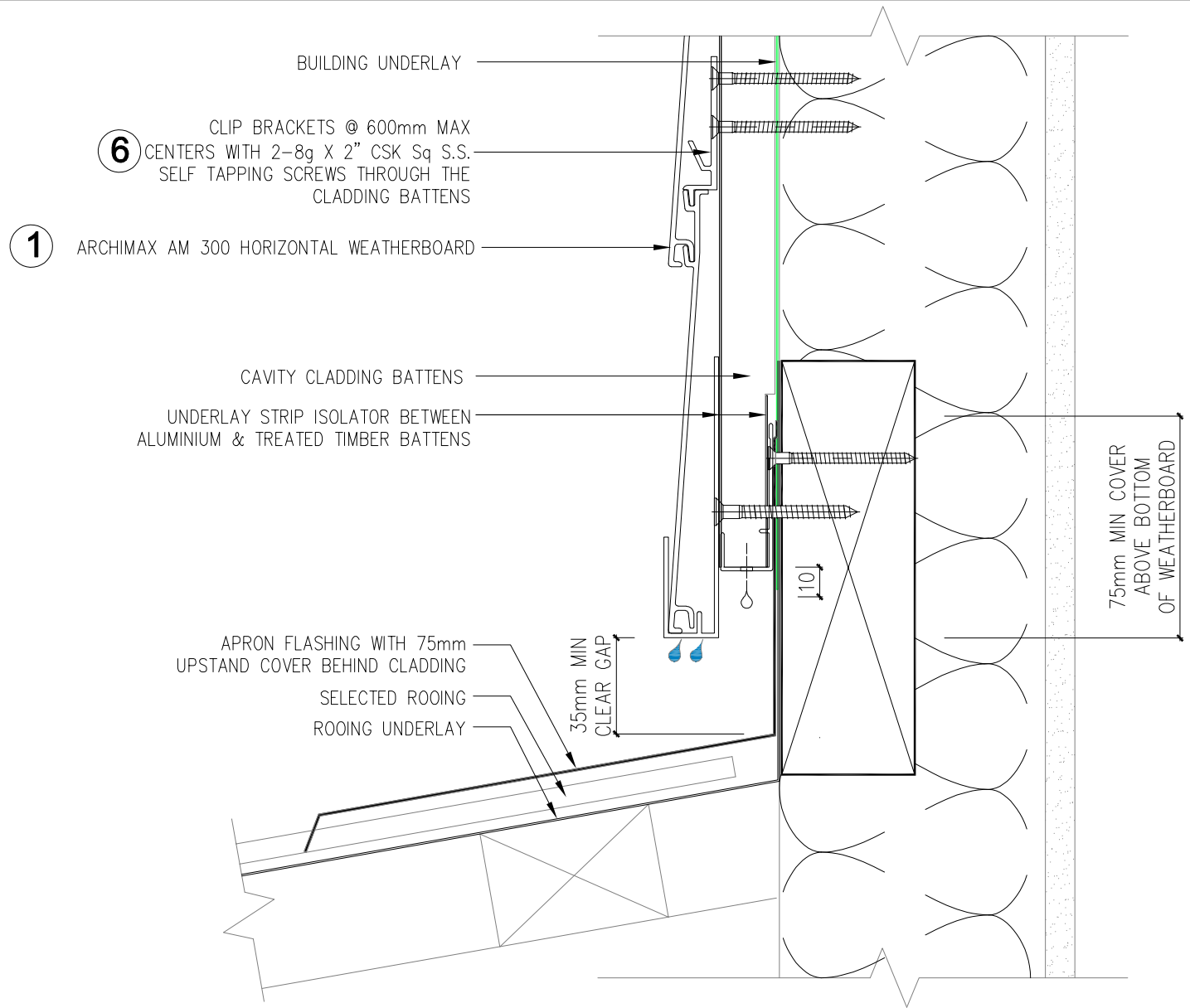
Cavity System

Scale: NTS



D19

Rev : 05



Archimax Limited

16 Ha Crescent, Wiri 2104 New Zealand
www.archimax.co.nz

@ ARCHIMAX CLADDING - All Rights Reserved

Roof-Wall Junction

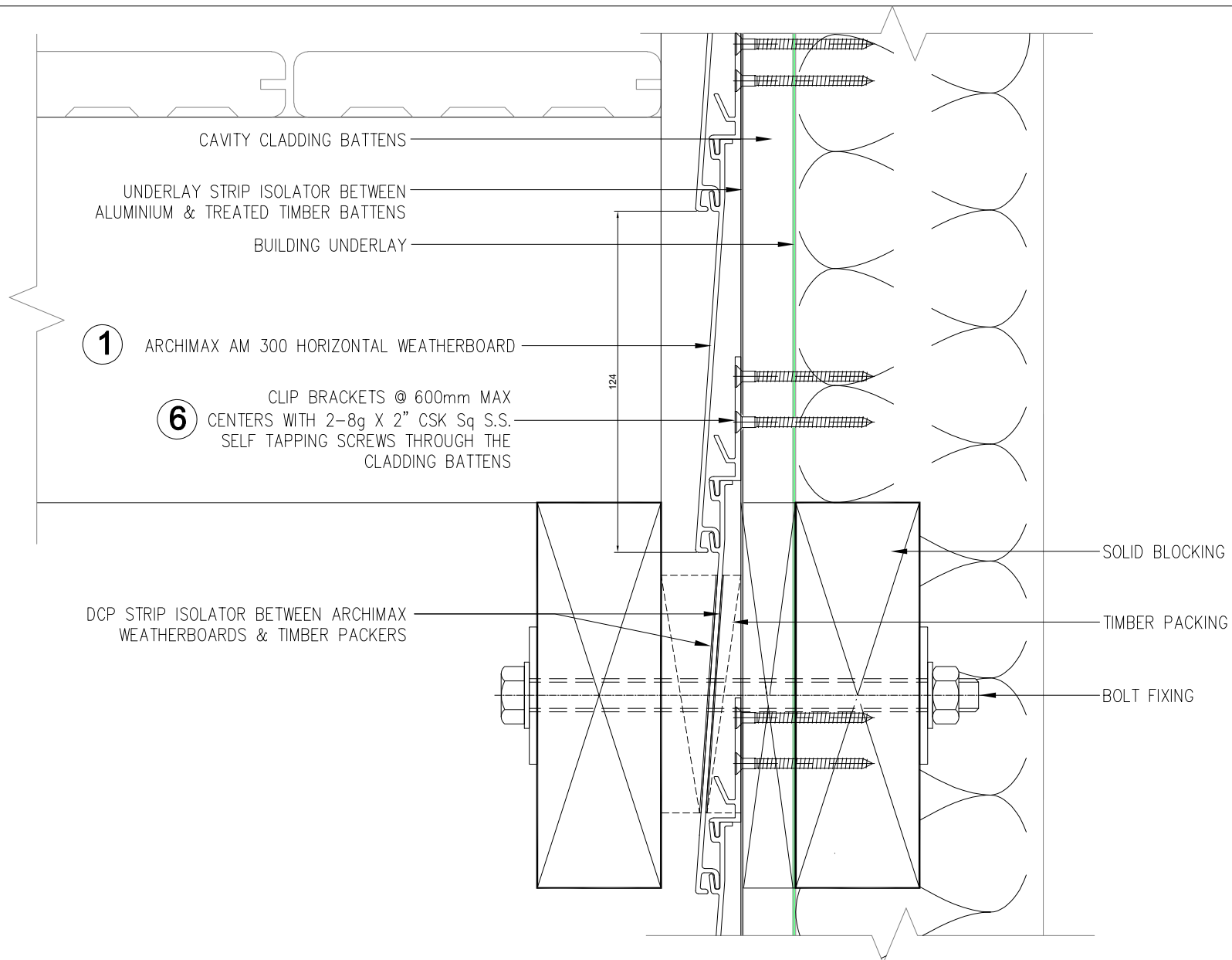
Archimax AM 300 - Horizontal Weatherboard

Cavity System

Scale: NTS

D20

Rev : 05




ARCHIMAX CLADDING

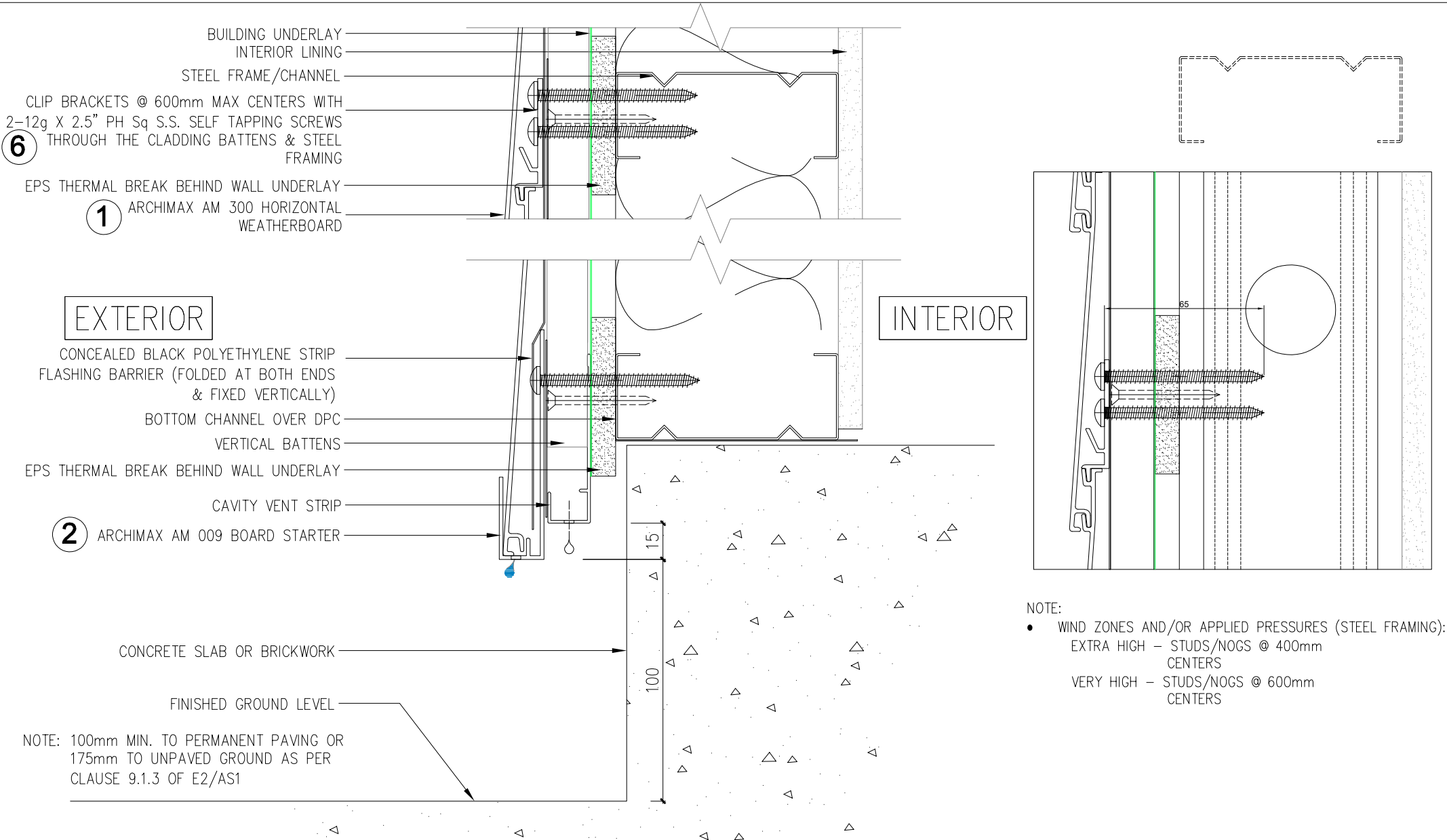
Archimax Limited
 16 Ha Crescent, Wiri 2104 New Zealand
www.archimax.co.nz
 @ ARCHIMAX CLADDING - All Rights Reserved

Deck Junction
Archimax AM 300 - Horizontal Weatherboard

Cavity System
 Scale: NTS

D21

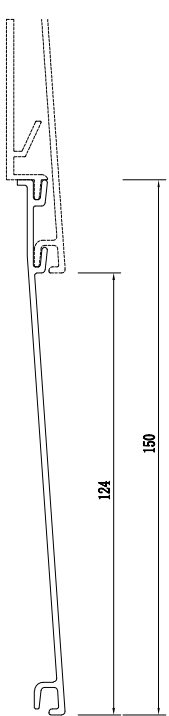
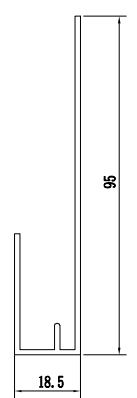
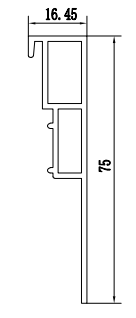
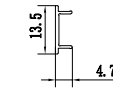
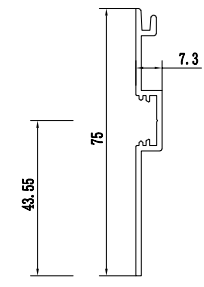
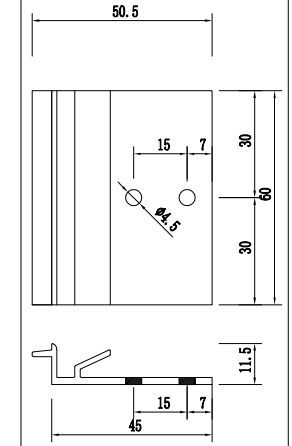
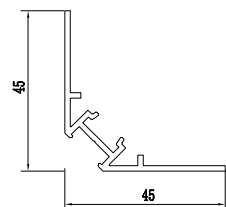
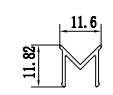
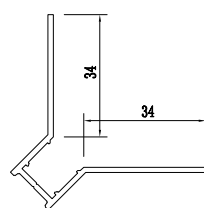
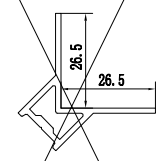
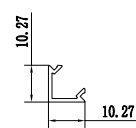
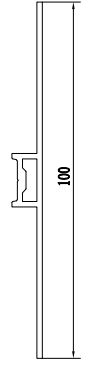
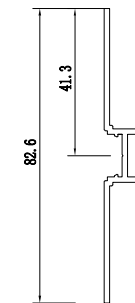
Rev : 05



Archimax Limited
 16 Ha Crescent, Wiri 2104 New Zealand
www.archimax.co.nz
 @ ARCHIMAX CLADDING - All Rights Reserved

Steel Stud/Nogs Details
Archimax AM 300 - Horizontal Weatherboard
Cavity System
 Scale: NTS

D22
 Rev : 05

 <p>124 150</p>	 <p>18.5 95</p>	 <p>16.45 75</p>	 <p>13.5 4.7</p>	 <p>43.55 75 7.3</p>	 <p>50.5 15 7 30 30 60 11.5 45 15 7</p>	 <p>45 45</p>	 <p>11.6 11.82</p>
<p>AM_009 BOARD STARTER</p>	<p>AM_018 END CAPPING PART B</p>	<p>AM_016 JOINTER / JAMB / SILL CAPPING</p>	<p>AM_017 END CAPPING PART A COVER CLIP</p>	<p>AM_029 CLIP BRACKET</p>	<p>AM_019 INTERNAL/EXTERNAL CORNER PART A</p>	<p>AM_023 INTERNAL CORNER COVER CLIP</p>	
 <p>34 34</p>	 <p>26.5 26.5</p>	 <p>10.27 10.27</p>	 <p>100</p>	 <p>82.6 41.3</p>			
<p>AM_300 ARCHIMAX 300 HORIZONTAL WEATHERBOARD</p>	<p>AM_022 INTERNAL CORNER PART B</p>	<p>AM_021 EXTERNAL CORNER PART B</p>	<p>AM_020 EXTERNAL CORNER COVER CLIP</p>	<p>AM_025 JOINTER PART A</p>	<p>AM_024 JOINTER PART B</p>		



Archimax Limited
 16 Ha Crescent, Wiri 2104 New Zealand
www.archimax.co.nz
 @ ARCHIMAX CLADDING - All Rights Reserved

Parts Profile
 Archimax AM 300 - Horizontal Weatherboard

Cavity System
 Scale: NTS

D23

Rev : 05