

AM 400 - Vertical Weatherboard (DETAILS)

- VW01 - ELEVATION / SECTIONS
- VW02 - PLANS
- D01 - WINDOW HEAD DETAIL
- D02 - WINDOW SILL DETAIL
- D03 - WINDOW JAMB DETAIL
- D04 - INTERNAL CORNER DETAIL
- D05 - EXTERNAL CORNER DETAIL
- D06 - HORIZONTAL JOINT / INTER-STOREY JUNCTION DETAIL
- D07 - BALUSTRADE TOP DETAIL
- D08 - BALUSTRADE JUNCTION DETAIL
- D09 - SOFFIT DETAIL
- D10 - BOTTOM DETAIL
- D11 - PIPE PENETRATION DETAIL
- D12 - METER BOX HEAD DETAIL
- D13 - METER BOX SILL DETAIL
- D14 - METER BOX JAMB DETAIL
- D15 - CONCRETE FLOOR BOARD STARTER DETAIL
- D16 - PARAPET DETAIL
- D17 - PARAPET ON CAVITY DETAIL
- D18 - NON-SOFFIT DETAIL
- D19 - ROOF WALL JUNCTION DETAIL
- D20 - DECK JUNCTION DETAIL
- D21 - STEEL STUD/NOGS DETAIL
- D22 - PARTS PROFILE



ARCHIMAX CLADDING

Archimax Limited

16 Ha Crescent, Wiri 2104 New Zealand

www.archimax.co.nz

@ ARCHIMAX CLADDING - All Rights Reserved

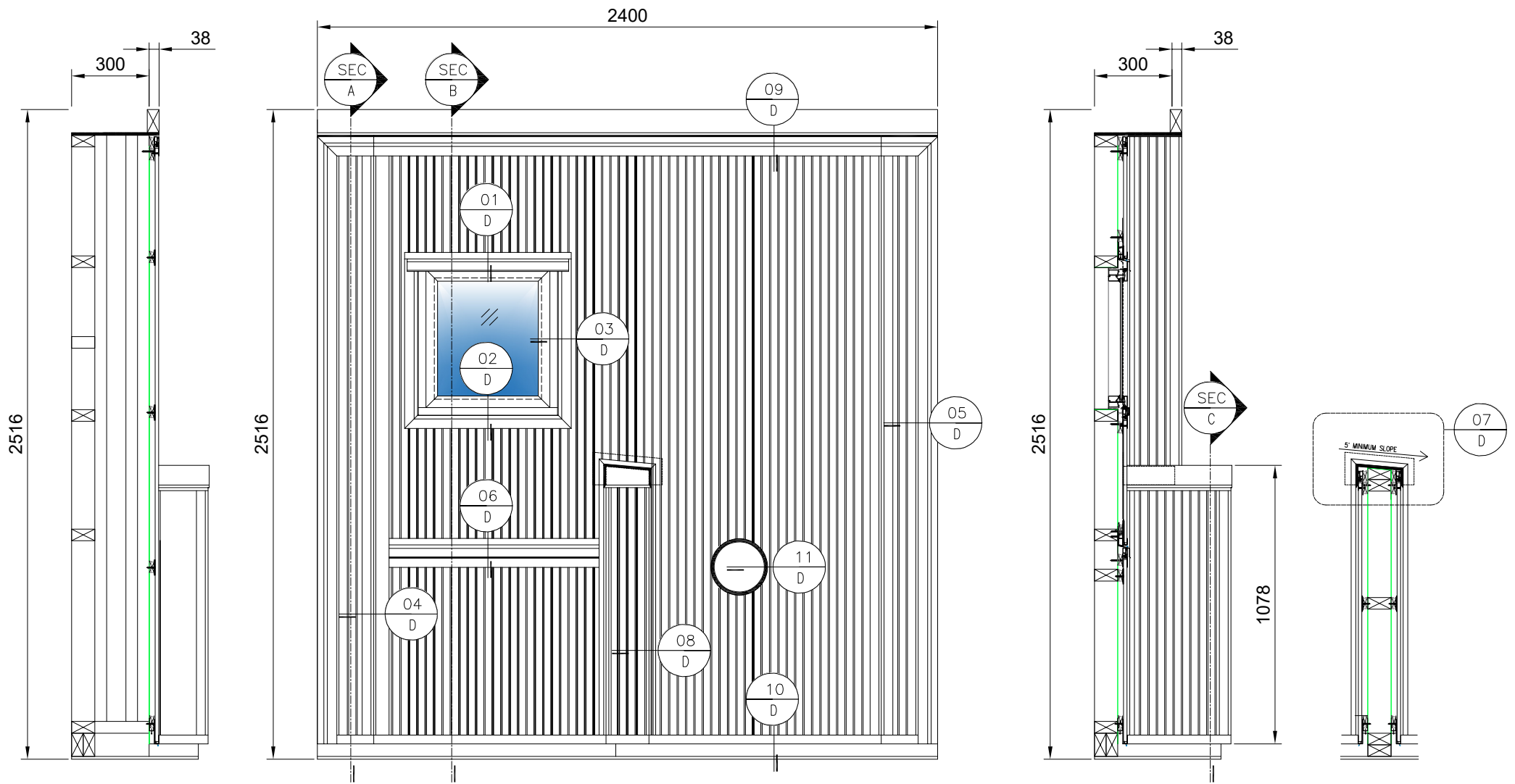
Archimax AM 400 Vertical Weatherboard

Cavity System

Scale: NTS

VW00

Rev : 05



SECTION A

ELEVATION

SECTION B

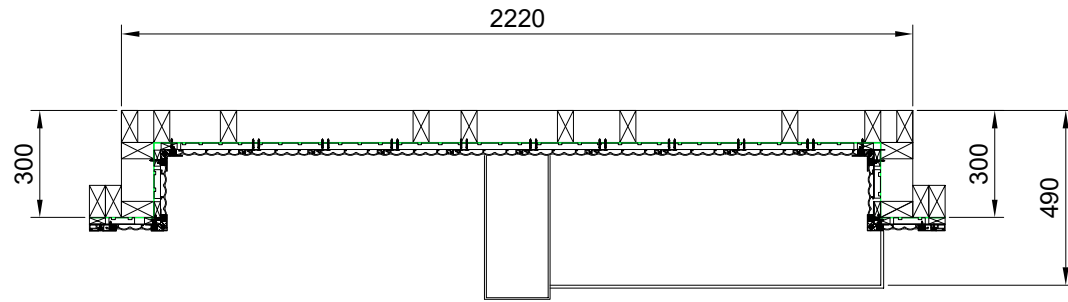
SECTION C



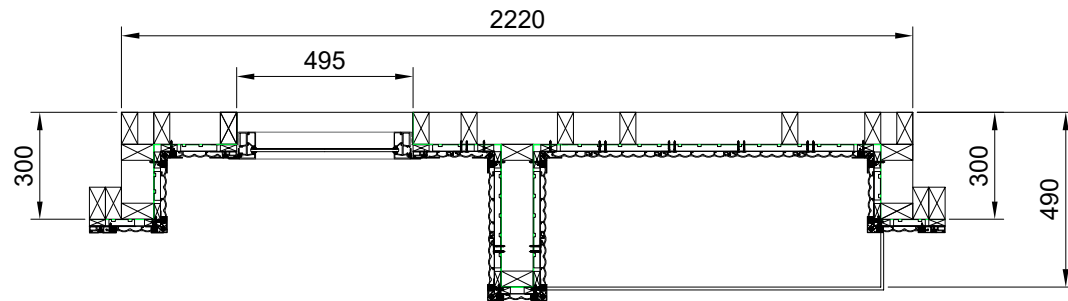
Archimax Limited
 16 Ha Crescent, Wiri 2104 New Zealand
www.archimax.co.nz
 @ ARCHIMAX CLADDING - All Rights Reserved

Elevation / Sections
 Archimax AM 400 Vertical Weatherboard
 Cavity System
 Scale: NTS

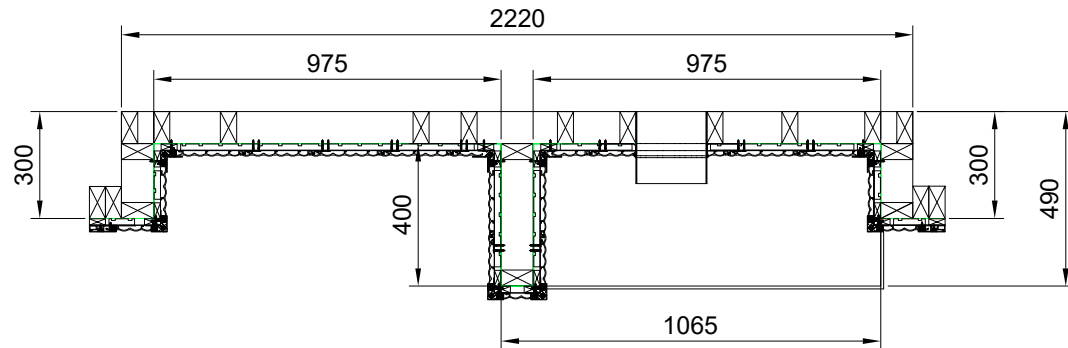
VW01
 Rev : 05



PLAN (TOP)



PLAN (@ WINDOW)



PLAN (BOTTOM)

NOTE:

- MAXIMUM NOG/STUD & BATTEN SPACING @ 600mm CENTERS (AS PER NZS 3604 FOR STRUCTURE AND E2/AS1 FOR ROOF & WALL CLADDING)
- CAVITY BATTENS FIXED TO STUD/NOGS @ 600mm CENTERS
- WIND ZONES AND/OR APPLIED PRESSURES:
EXTRA HIGH – STUDS/NOGS @ 400mm CENTERS (STEEL)
VERY HIGH – STUDS/NOGS @ 600mm CENTERS
- CAVITY BATTENS MAY REQUIRE MACHINING, PACKER/SHIMS TO ENSURE BOARDS ARE FITTED FLAT WITHOUT DISTORSION
- UNDERLAY ISOLATOR STRIPS REQUIRED BETWEEN BATTENS & ALUMINIUM CLADDING (ONLY IF TREATED TIMBER IS USED AS BATTENS)
- CAVITY CLOSERS REQUIRED. DRAINED & VENTED CAVITY AS PER NZBC E2/AS1



ARCHIMAX CLADDING

Archimax Limited

16 Ha Crescent, Wiri 2104 New Zealand

www.archimax.co.nz

@ ARCHIMAX CLADDING - All Rights Reserved

Plans

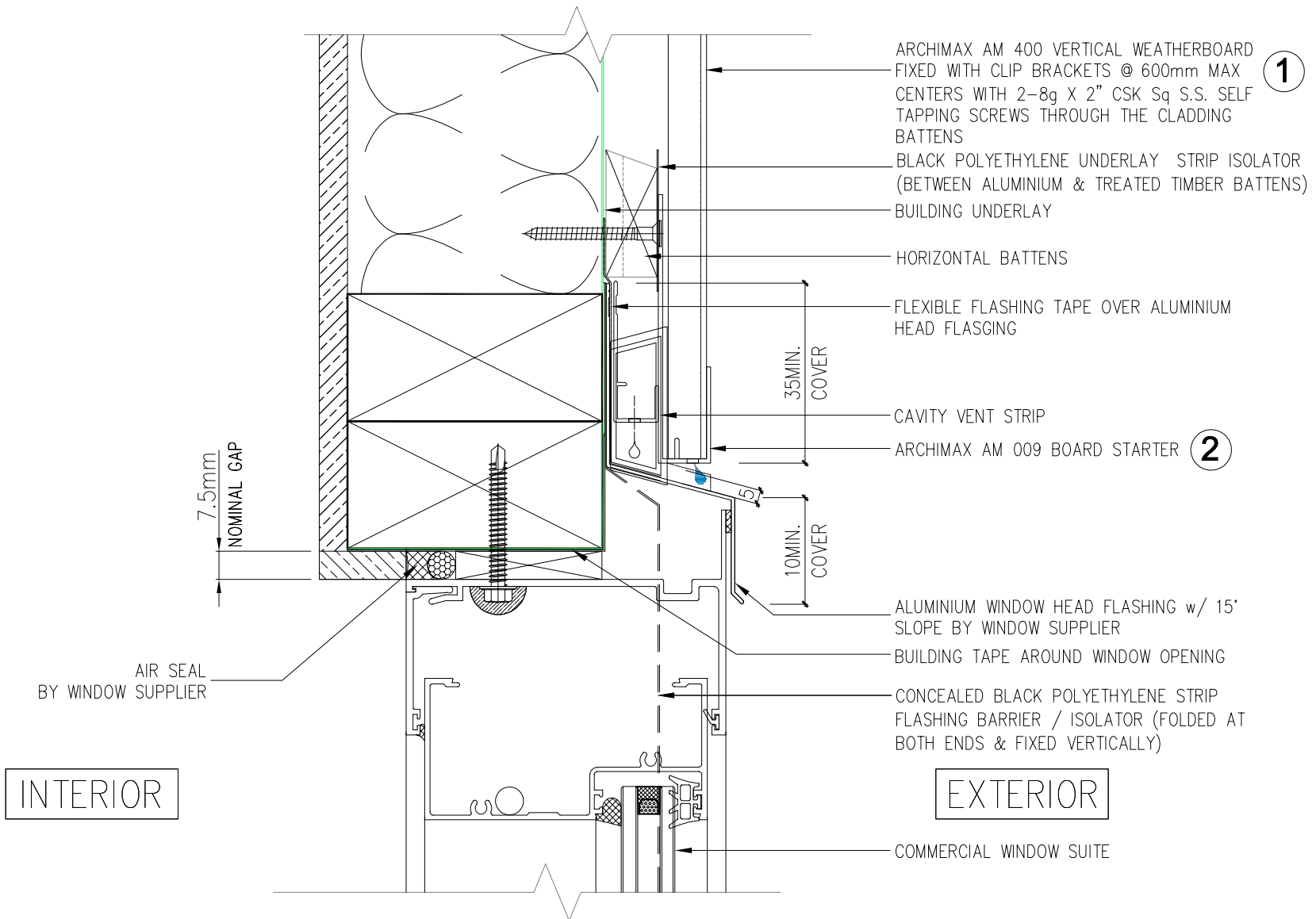
Archimax AM 400 Vertical Weatherboard

Cavity System

Scale: NTS

VW02

Rev : 05



Archimax Limited

16 Ha Crescent, Wiri 2104 New Zealand
www.archimax.co.nz
 @ ARCHIMAX CLADDING - All Rights Reserved

Window Head Detail

Archimax AM 400 - Vertical Weatherboard

Cavity System

Scale: NTS

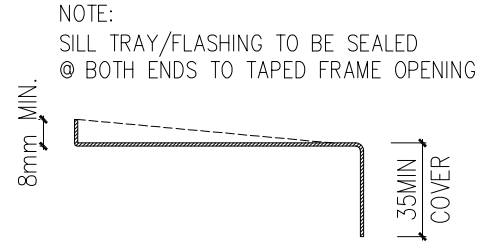
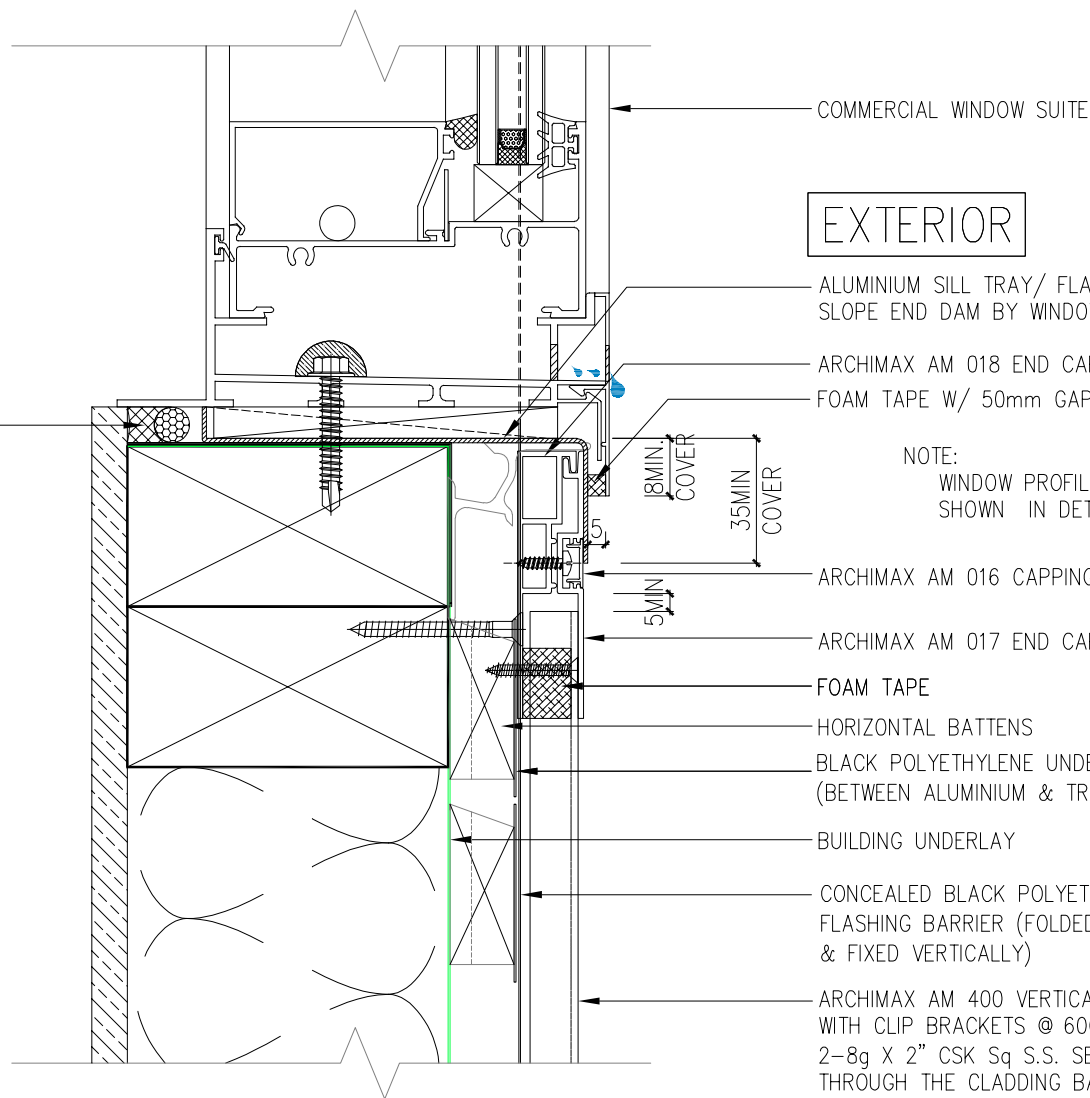
D01

Rev : 05

INTERIOR

EXTERIOR

AIR SEAL
BY WINDOW SUPPLIER



COMMERCIAL WINDOW SUITE

ALUMINIUM SILL TRAY/ FLASHING W/ 8mm MIN. UPSTAND AND SLOPE END DAM BY WINDOW SUPPLIER

ARCHIMAX AM 018 END CAPPING COVER PART B (3)

FOAM TAPE W/ 50mm GAPS AT ENDS TO ALLOW WATER TO DRAIN

NOTE:
WINDOW PROFILE TO BE SELECTED TO ACHIEVE COVER SHOWN IN DETAILS

ARCHIMAX AM 016 CAPPING COVER CLIP (4)

ARCHIMAX AM 017 END CAPPING COVER PART A (5)

FOAM TAPE

HORIZONTAL BATTENS

BLACK POLYETHYLENE UNDERLAY STRIP ISOLATOR (BETWEEN ALUMINIUM & TREATED TIMBER BATTENS)

BUILDING UNDERLAY

CONCEALED BLACK POLYETHYLENE STRIP FLASHING BARRIER (FOLDED AT BOTH ENDS & FIXED VERTICALLY)

ARCHIMAX AM 400 VERTICAL WEATHERBOARD FIXED WITH CLIP BRACKETS @ 600mm MAX CENTERS WITH 2-8g X 2" CSK Sq S.S. SELF TAPPING SCREWS THROUGH THE CLADDING BATTENS (1)

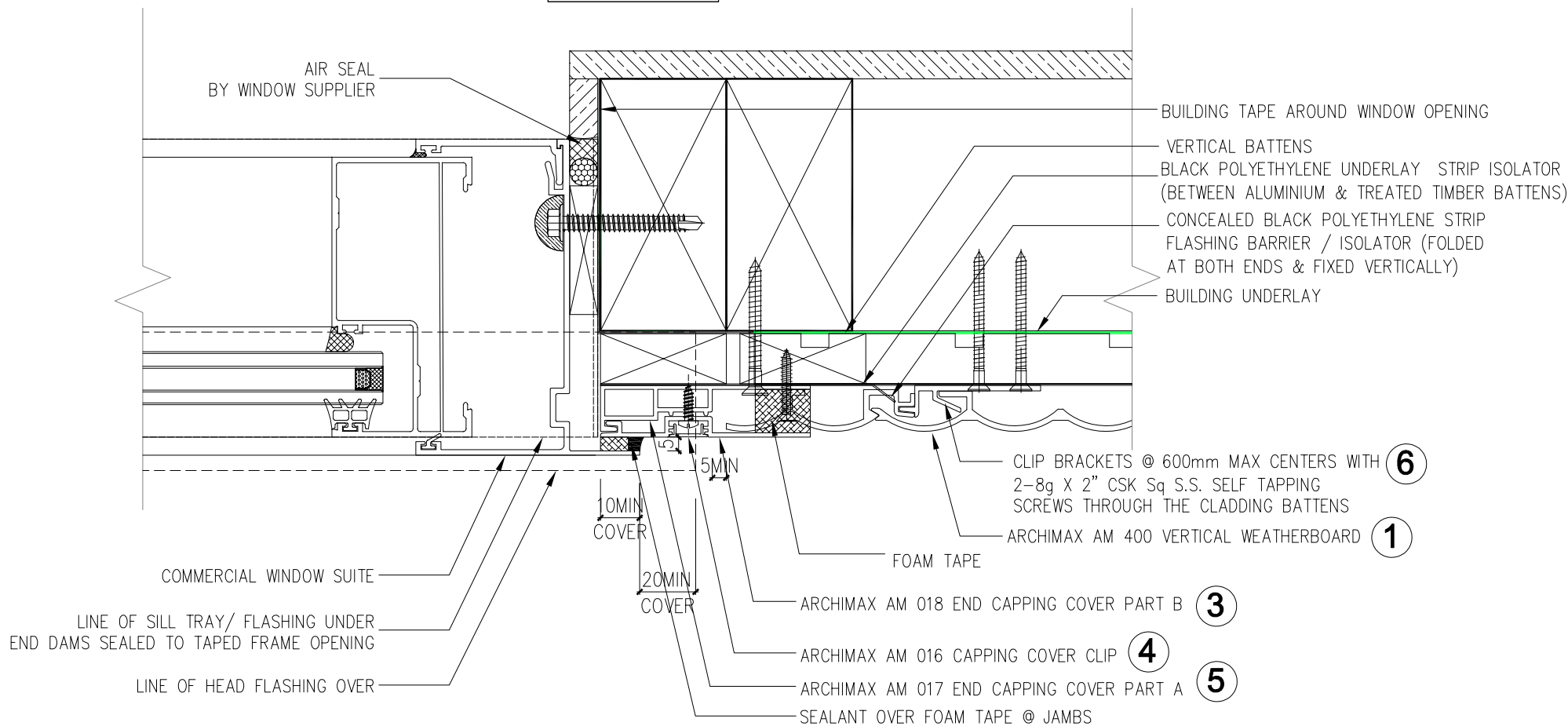


Archimax Limited
 16 Ha Crescent, Wiri 2104 New Zealand
www.archimax.co.nz
 @ ARCHIMAX CLADDING - All Rights Reserved

Window Sill Detail
Archimax AM 400 - Vertical Weatherboard
Cavity System
 Scale: NTS

D02
 Rev : 05

INTERIOR



EXTERIOR



Archimax Limited

16 Ha Crescent, Wiri 2104 New Zealand
 www.archimax.co.nz
 @ ARCHIMAX CLADDING - All Rights Reserved

Window Jamb Detail

Archimax AM 400 - Vertical Weatherboard

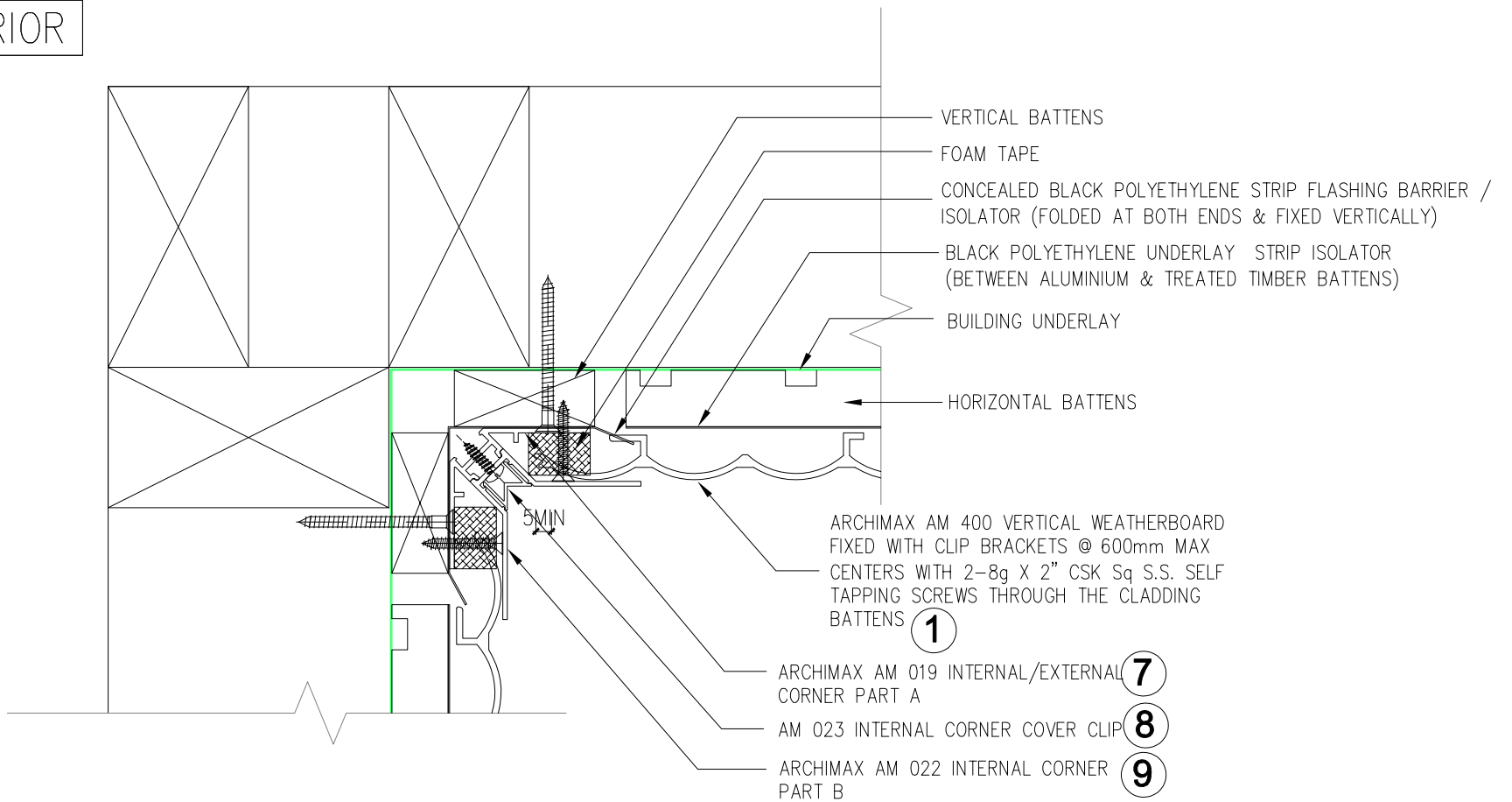
Cavity System

Scale: NTS

D03

Rev : 05

INTERIOR



EXTERIOR



Archimax Limited

16 Ha Crescent, Wiri 2104 New Zealand
 www.archimax.co.nz
 @ ARCHIMAX CLADDING - All Rights Reserved

Internal Corner Detail

Archimax AM 400 - Vertical Weatherboard

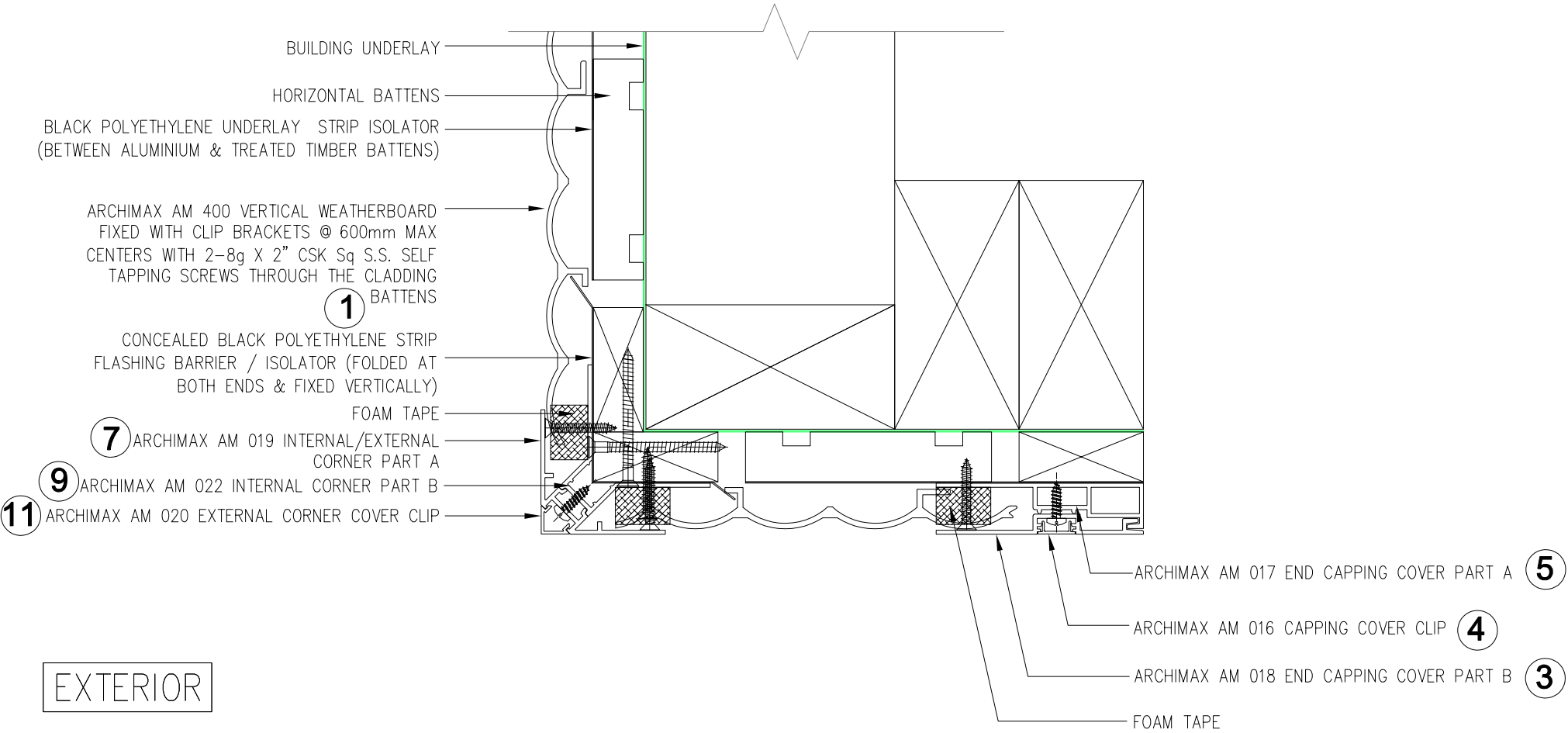
Cavity System

Scale: NTS

D04

Rev : 05

INTERIOR



EXTERIOR



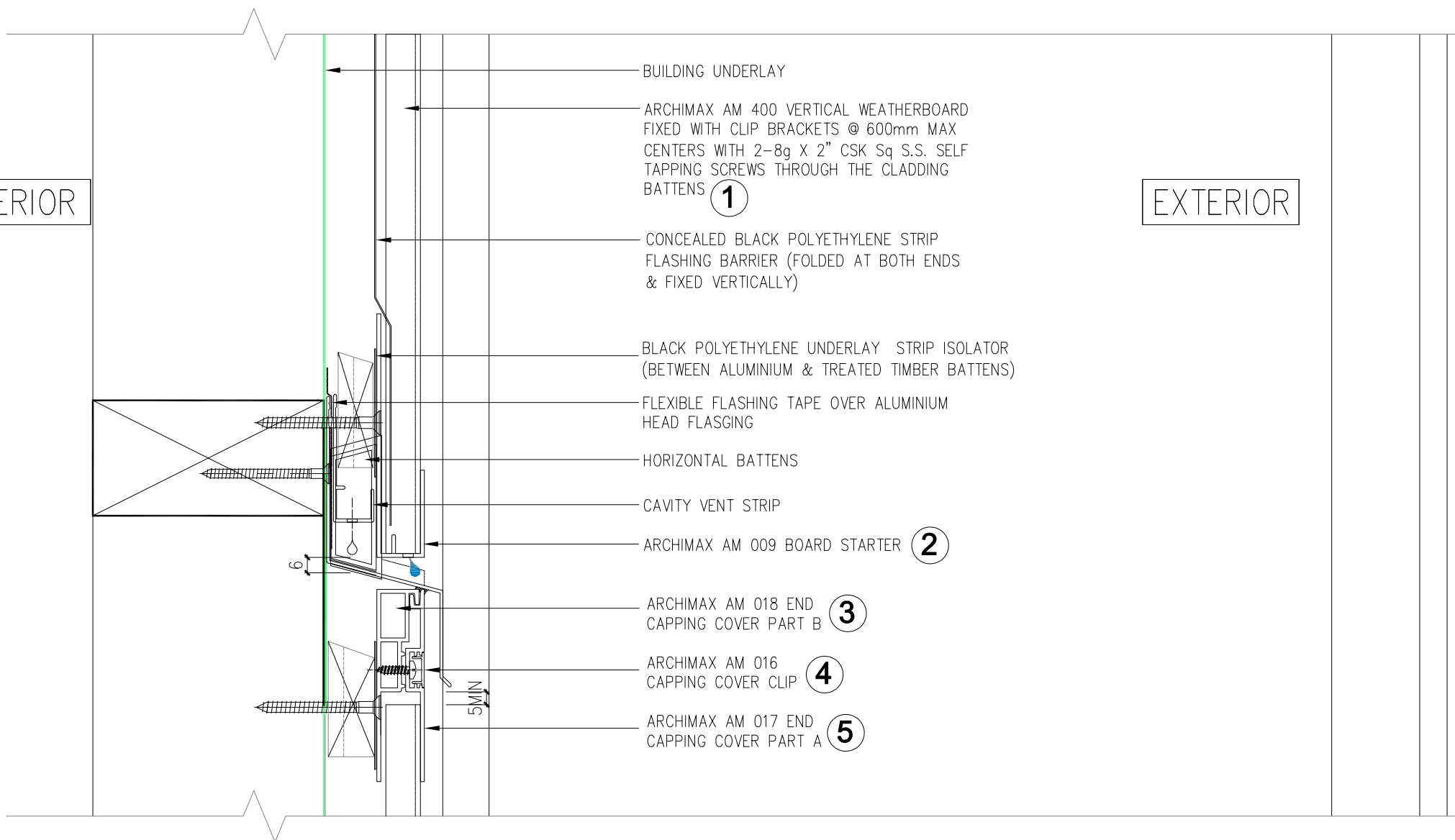
Archimax Limited
 16 Ha Crescent, Wiri 2104 New Zealand
www.archimax.co.nz
 @ ARCHIMAX CLADDING - All Rights Reserved

External Corner Detail
Archimax AM 400 - Vertical Weatherboard
 Cavity System
 Scale: NTS

D05
 Rev : 05

INTERIOR

EXTERIOR



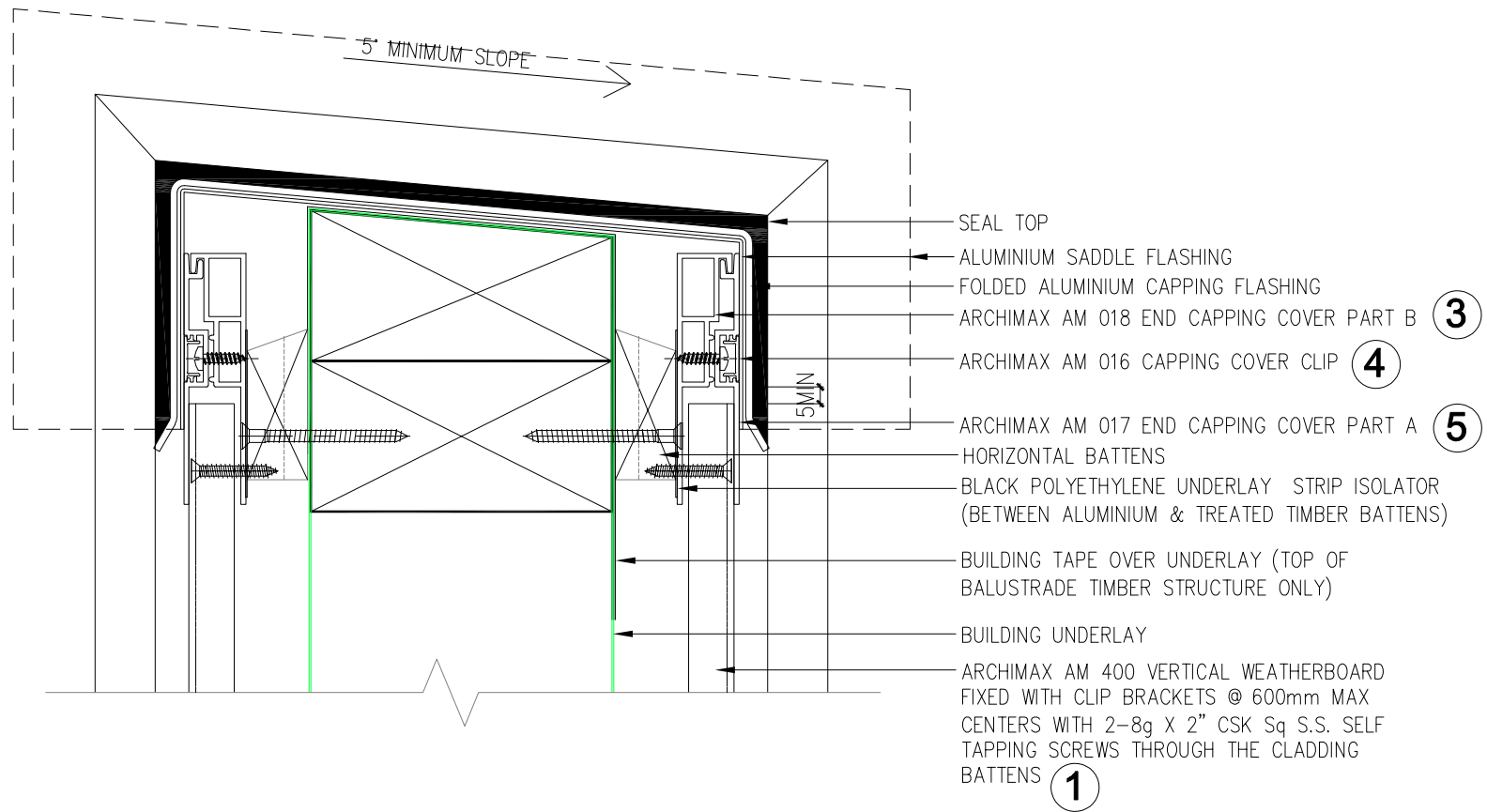
- BUILDING UNDERLAY
- ARCHIMAX AM 400 VERTICAL WEATHERBOARD
FIXED WITH CLIP BRACKETS @ 600mm MAX
CENTERS WITH 2-8g X 2" CSK Sq S.S. SELF
TAPPING SCREWS THROUGH THE CLADDING
BATTENS (1)
- CONCEALED BLACK POLYETHYLENE STRIP
FLASHING BARRIER (FOLDED AT BOTH ENDS
& FIXED VERTICALLY)
- BLACK POLYETHYLENE UNDERLAY STRIP ISOLATOR
(BETWEEN ALUMINIUM & TREATED TIMBER BATTENS)
- FLEXIBLE FLASHING TAPE OVER ALUMINIUM
HEAD FLASHING
- HORIZONTAL BATTENS
- CAVITY VENT STRIP
- ARCHIMAX AM 009 BOARD STARTER (2)
- ARCHIMAX AM 018 END
CAPPING COVER PART B (3)
- ARCHIMAX AM 016
CAPPING COVER CLIP (4)
- ARCHIMAX AM 017 END
CAPPING COVER PART A (5)



Archimax Limited
16 Ha Crescent, Wiri 2104 New Zealand
www.archimax.co.nz
@ ARCHIMAX CLADDING - All Rights Reserved

Horizontal Joint Detail
Archimax AM 400 - Vertical Weatherboard
Cavity System
Scale: NTS

D06
Rev : 05



Archimax Limited

16 Ha Crescent, Wiri 2104 New Zealand
 www.archimax.co.nz
 @ ARCHIMAX CLADDING - All Rights Reserved

Balustrade Detail

Archimax AM 400 - Vertical Weatherboard

Cavity System

Scale: NTS

D07

Rev : 05

INTERIOR

CONCEALED BLACK POLYETHYLENE STRIP
FLASHING BARRIER / ISOLATOR (FOLDED
AT BOTH ENDS & FIXED VERTICALLY)
BUILDING UNDERLAY
HORIZONTAL BATTENS

BLACK POLYETHYLENE UNDERLAY STRIP
ISOLATOR (BETWEEN ALUMINIUM &
TREATED TIMBER BATTENS)

FOAM TAPE

ARCHIMAX AM 400 VERTICAL WEATHERBOARD
FIXED WITH CLIP BRACKETS @ 600mm MAX
CENTERS WITH 2-8g X 2" CSK Sq S.S. SELF
TAPPING SCREWS THROUGH THE CLADDING
BATTENS **1**

BUILDING UNDERLAY

UNDERLAY STRIP ISOLATOR BETWEEN
ALUMINIUM & TREATED TIMBER BATTENS

HORIZONTAL BATTENS

EXTERIOR

BALCONY

- 7** ARCHIMAX AM 019 INTERNAL/EXTERNAL CORNER PART A
- 8** AM 023 INTERNAL CORNER COVER CLIP
- 9** ARCHIMAX AM 022 INTERNAL CORNER PART B



Archimax Limited

16 Ha Crescent, Wiri 2104 New Zealand

www.archimax.co.nz

@ ARCHIMAX CLADDING - All Rights Reserved

Balustrade Junction Detail

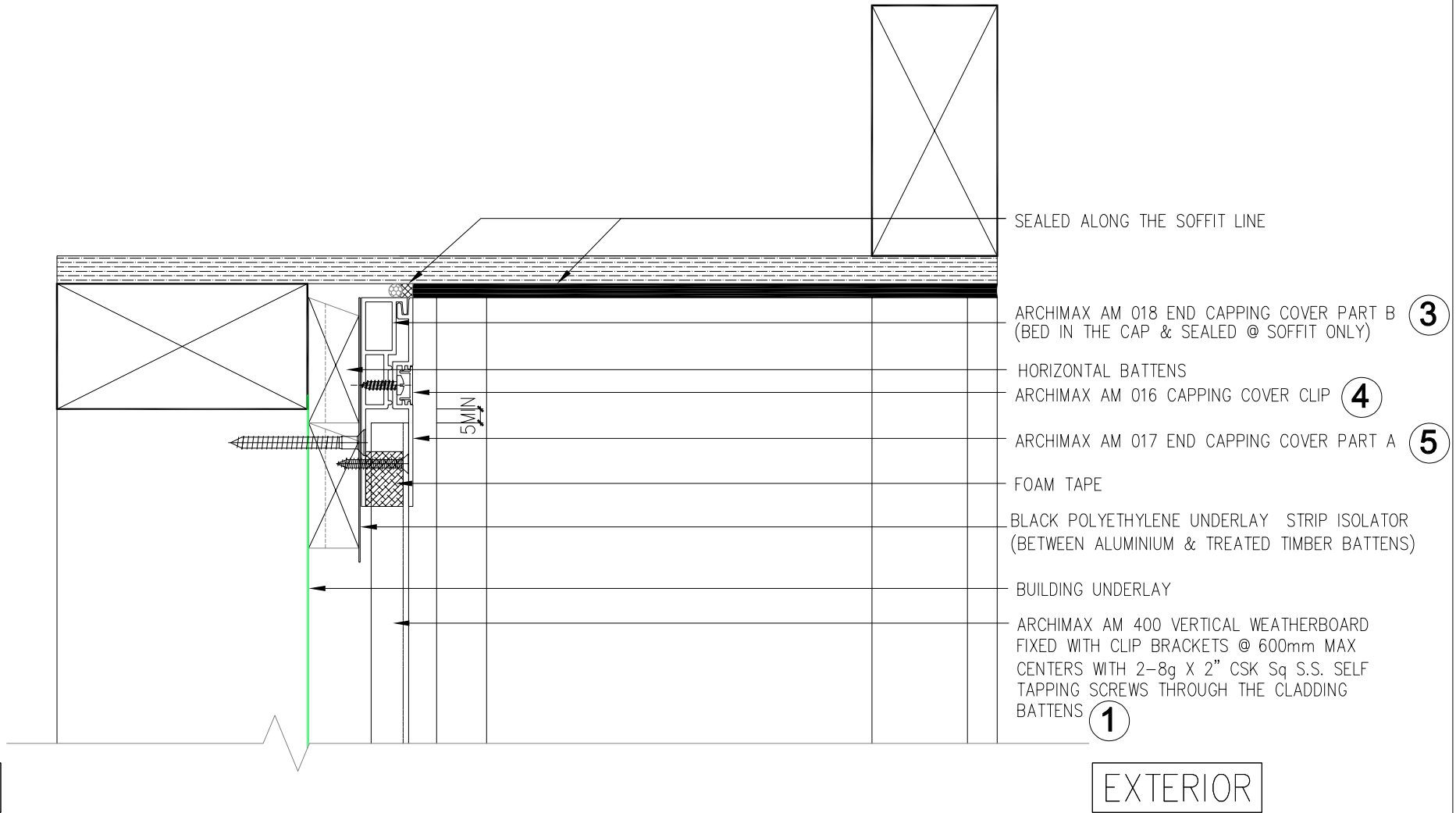
Archimax AM 400 - Vertical Weatherboard

Cavity System

Scale: NTS

D08

Rev : 05



Archimax Limited

16 Ha Crescent, Wiri 2104 New Zealand
www.archimax.co.nz

@ ARCHIMAX CLADDING - All Rights Reserved

Soffit Detail

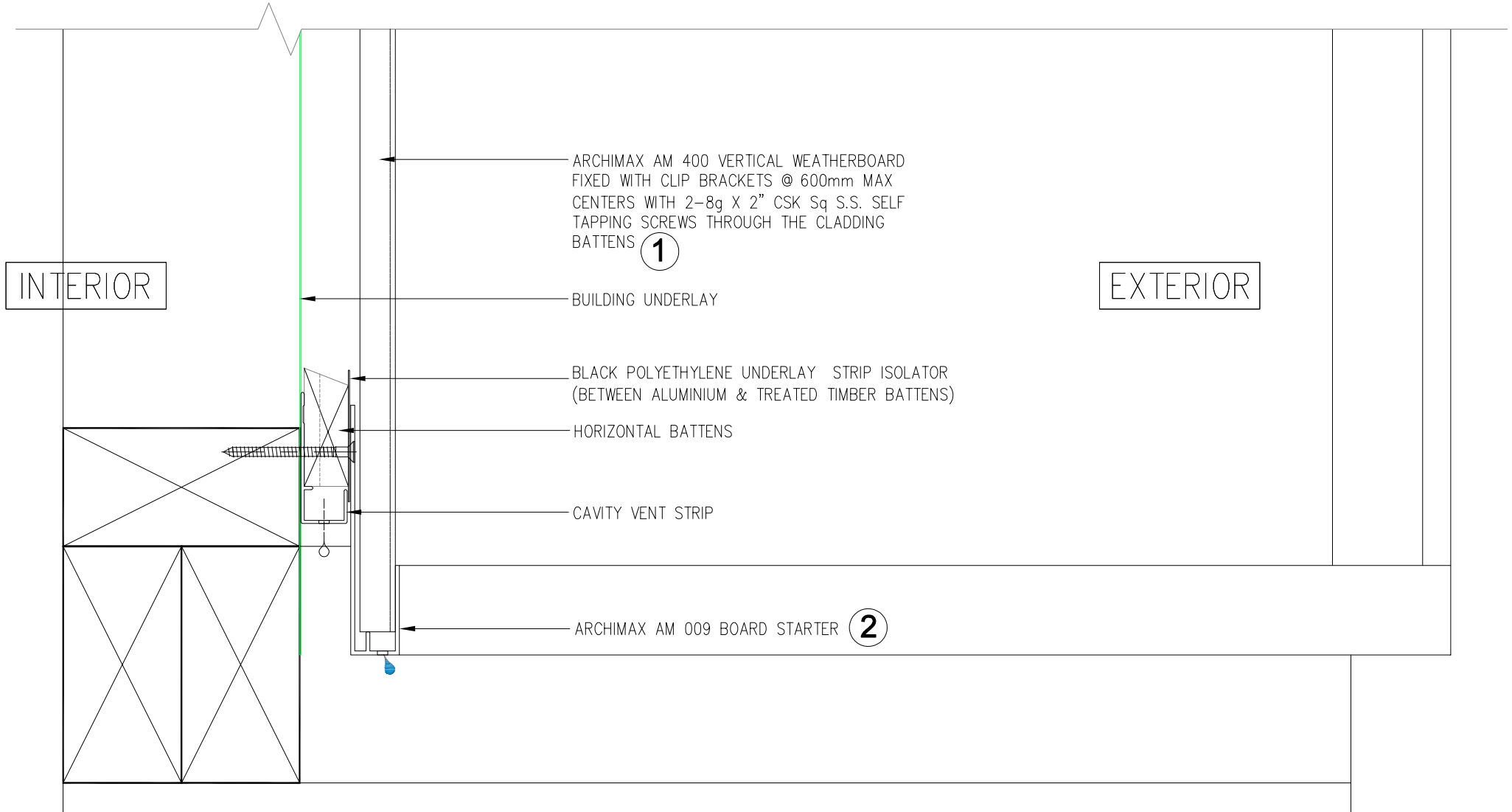
Archimax AM 400 - Vertical Weatherboard

Cavity System

Scale: NTS

D09

Rev : 05



Archimax Limited

16 Ha Crescent, Wiri 2104 New Zealand
www.archimax.co.nz
 @ ARCHIMAX CLADDING - All Rights Reserved

Bottom Detail

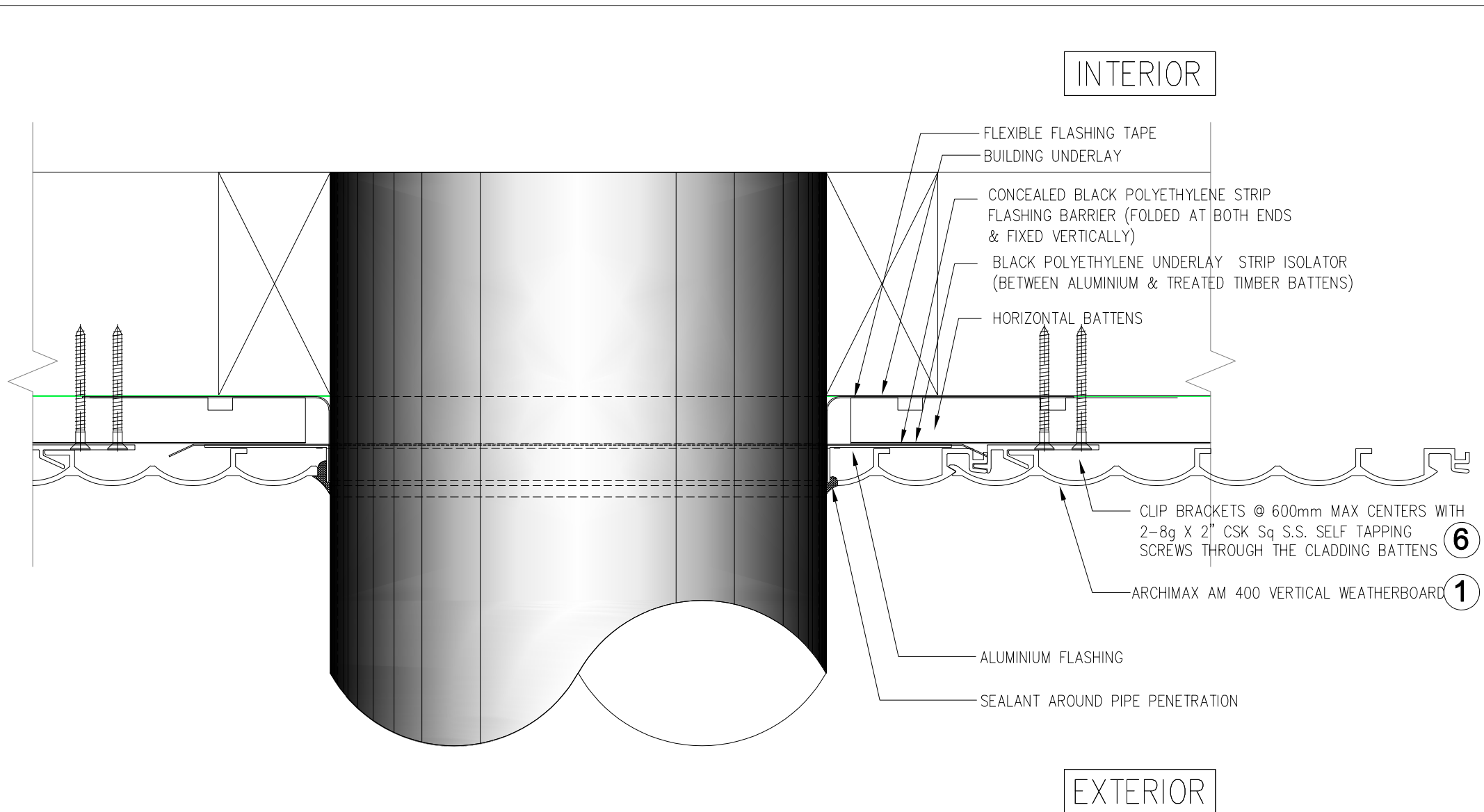
Archimax AM 400 - Vertical Weatherboard

Cavity System

Scale: NTS

D10

Rev : 05



INTERIOR

EXTERIOR

- FLEXIBLE FLASHING TAPE
- BUILDING UNDERLAY
- CONCEALED BLACK POLYETHYLENE STRIP FLASHING BARRIER (FOLDED AT BOTH ENDS & FIXED VERTICALLY)
- BLACK POLYETHYLENE UNDERLAY STRIP ISOLATOR (BETWEEN ALUMINIUM & TREATED TIMBER BATTENS)
- HORIZONTAL BATTENS

— CLIP BRACKETS @ 600mm MAX CENTERS WITH 2-8g X 2" CSK Sq S.S. SELF TAPPING SCREWS THROUGH THE CLADDING BATTENS **6**

— ARCHIMAX AM 400 VERTICAL WEATHERBOARD **1**

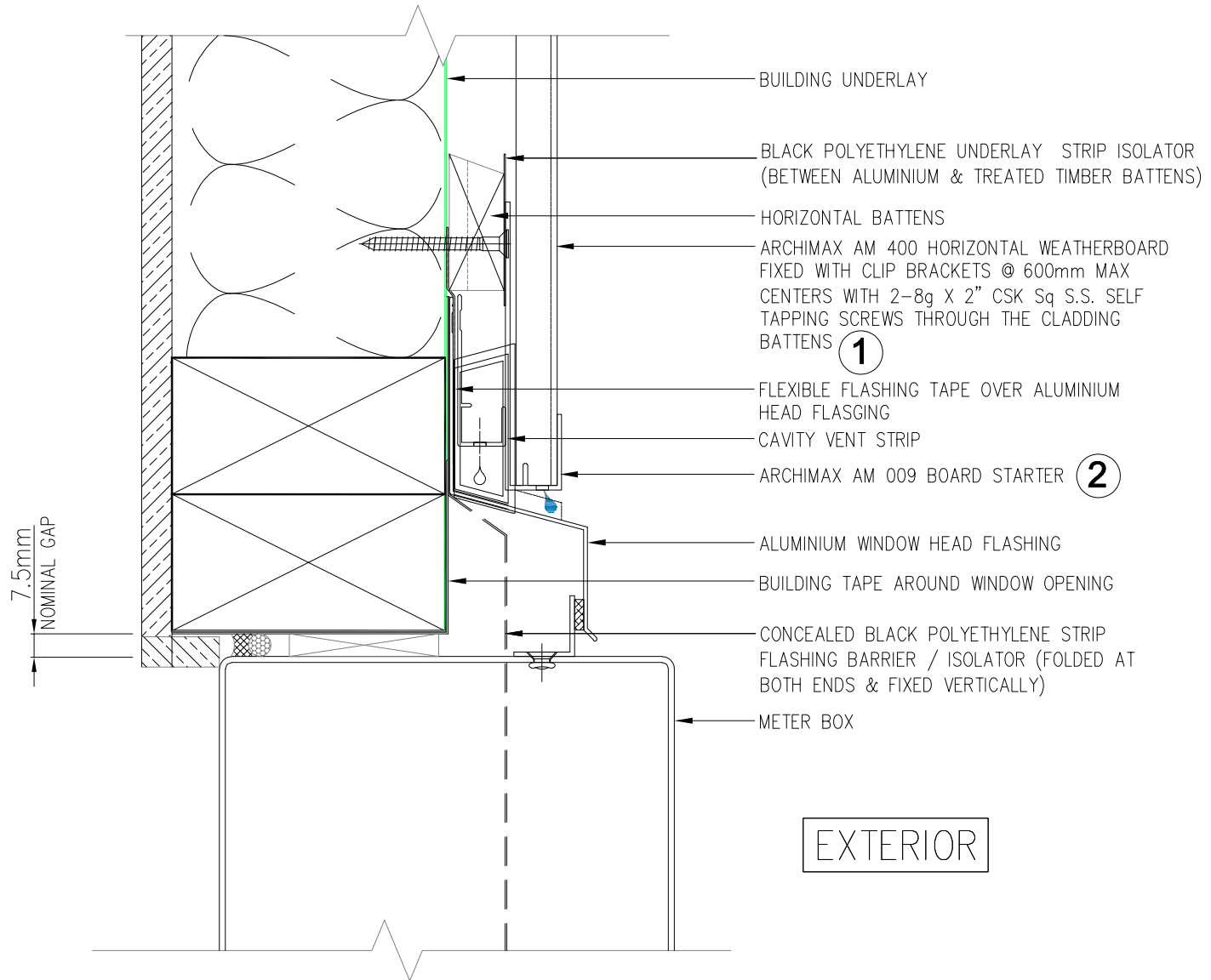
- ALUMINIUM FLASHING
- SEALANT AROUND PIPE PENETRATION



Archimax Limited
 16 Ha Crescent, Wiri 2104 New Zealand
www.archimax.co.nz
 @ ARCHIMAX CLADDING - All Rights Reserved

Pipe Penetration Detail
Archimax AM 400 - Vertical Weatherboard
 Cavity System
 Scale: NTS

D11
 Rev : 05



Archimax Limited

16 Ha Crescent, Wiri 2104 New Zealand
www.archimax.co.nz

@ ARCHIMAX CLADDING - All Rights Reserved

Meter Box Head

Archimax AM 400 - Vertical Weatherboard

Cavity System

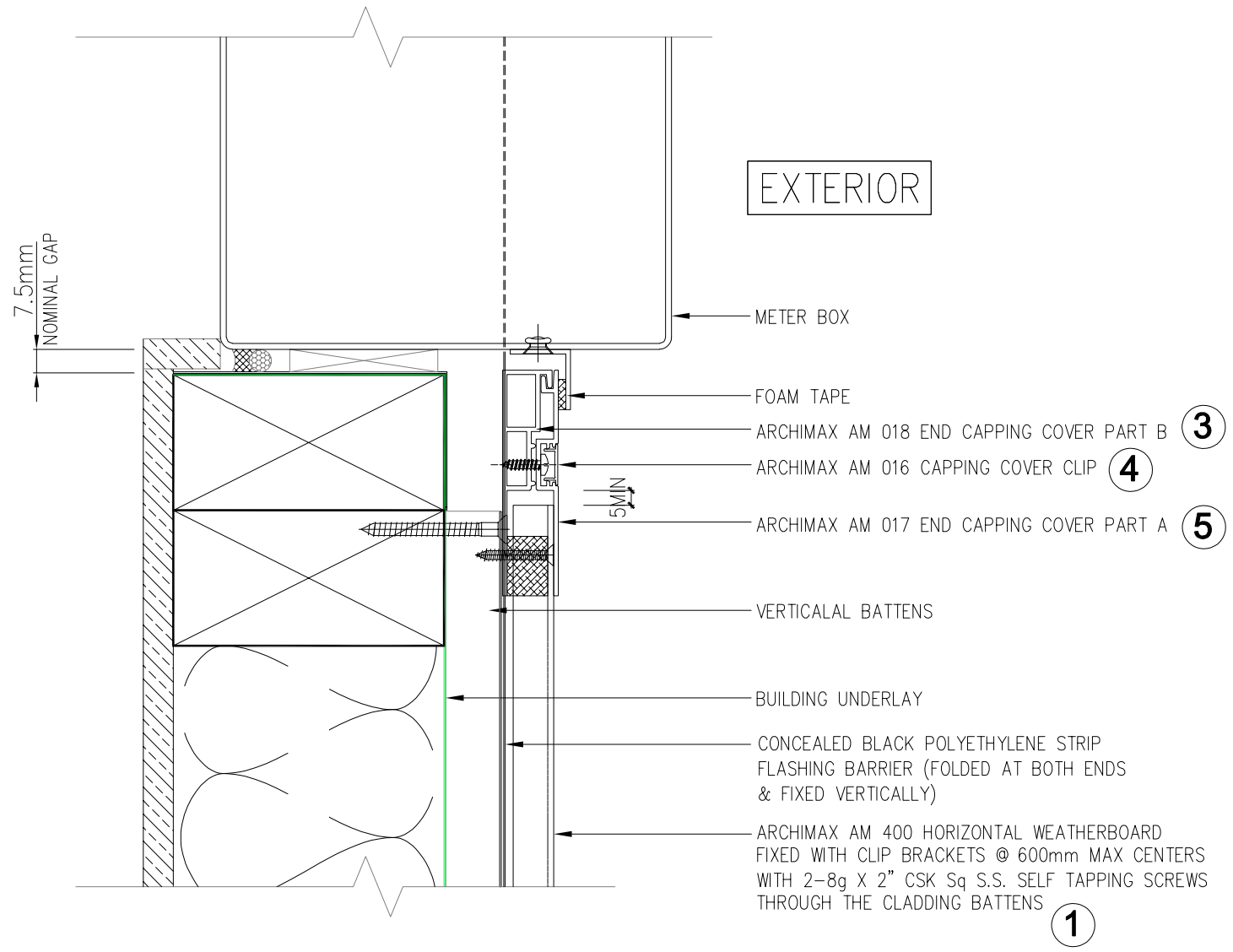
Scale: NTS

D12

Rev : 05

INTERIOR

EXTERIOR



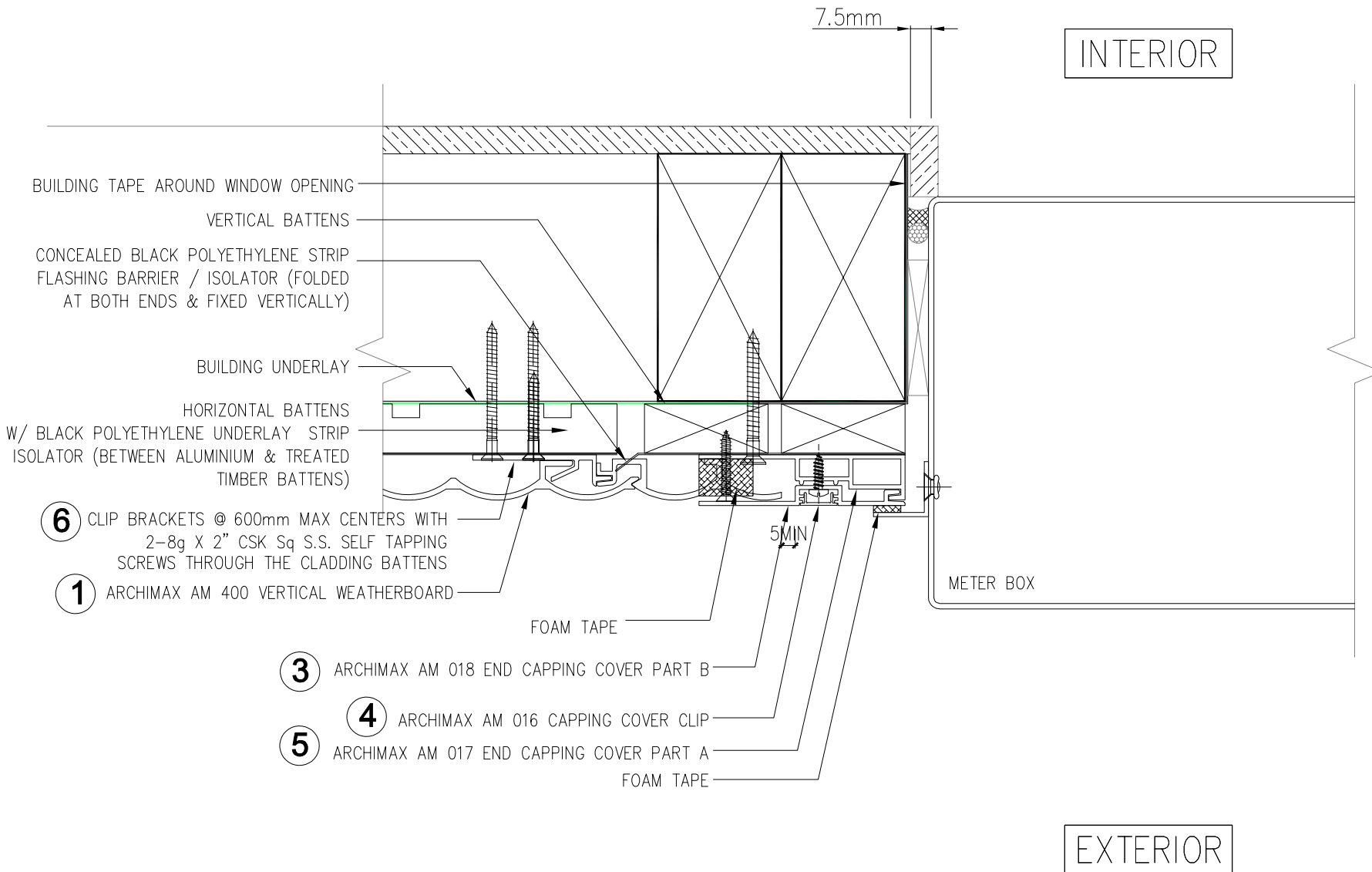
Archimax Limited
 16 Ha Crescent, Wiri 2104 New Zealand
www.archimax.co.nz
 @ ARCHIMAX CLADDING - All Rights Reserved

Meter Box Sill
Archimax AM 400 - Vertical Weatherboard

Cavity System
 Scale: NTS

D13

Rev : 05



ARCHIMAX CLADDING

Archimax Limited

16 Ha Crescent, Wiri 2104 New Zealand

www.archimax.co.nz

@ ARCHIMAX CLADDING - All Rights Reserved

Meter Box Jamb

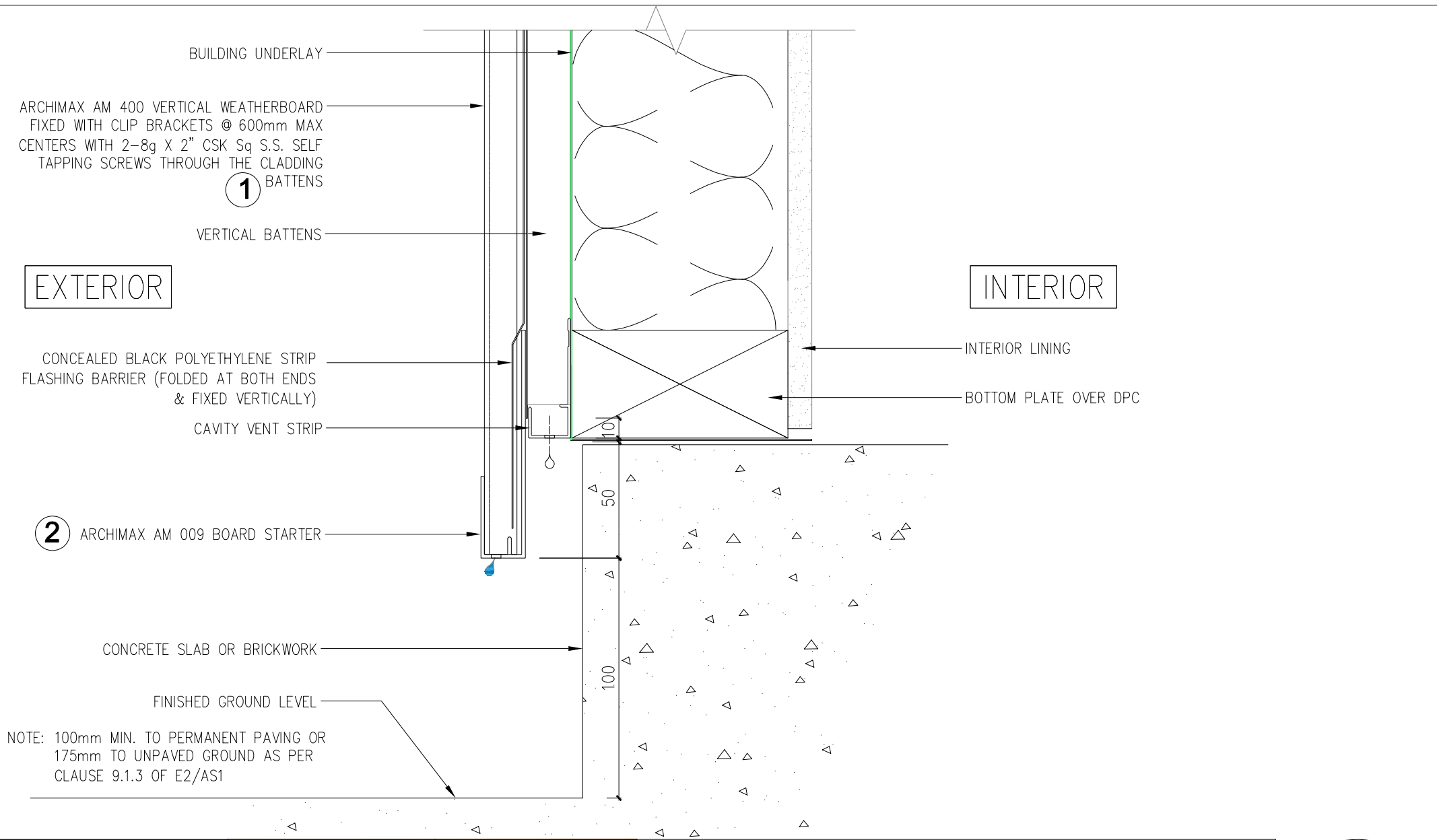
Archimax AM 400 - Vertical Weatherboard

Cavity System

Scale: NTS

D14

Rev : 05



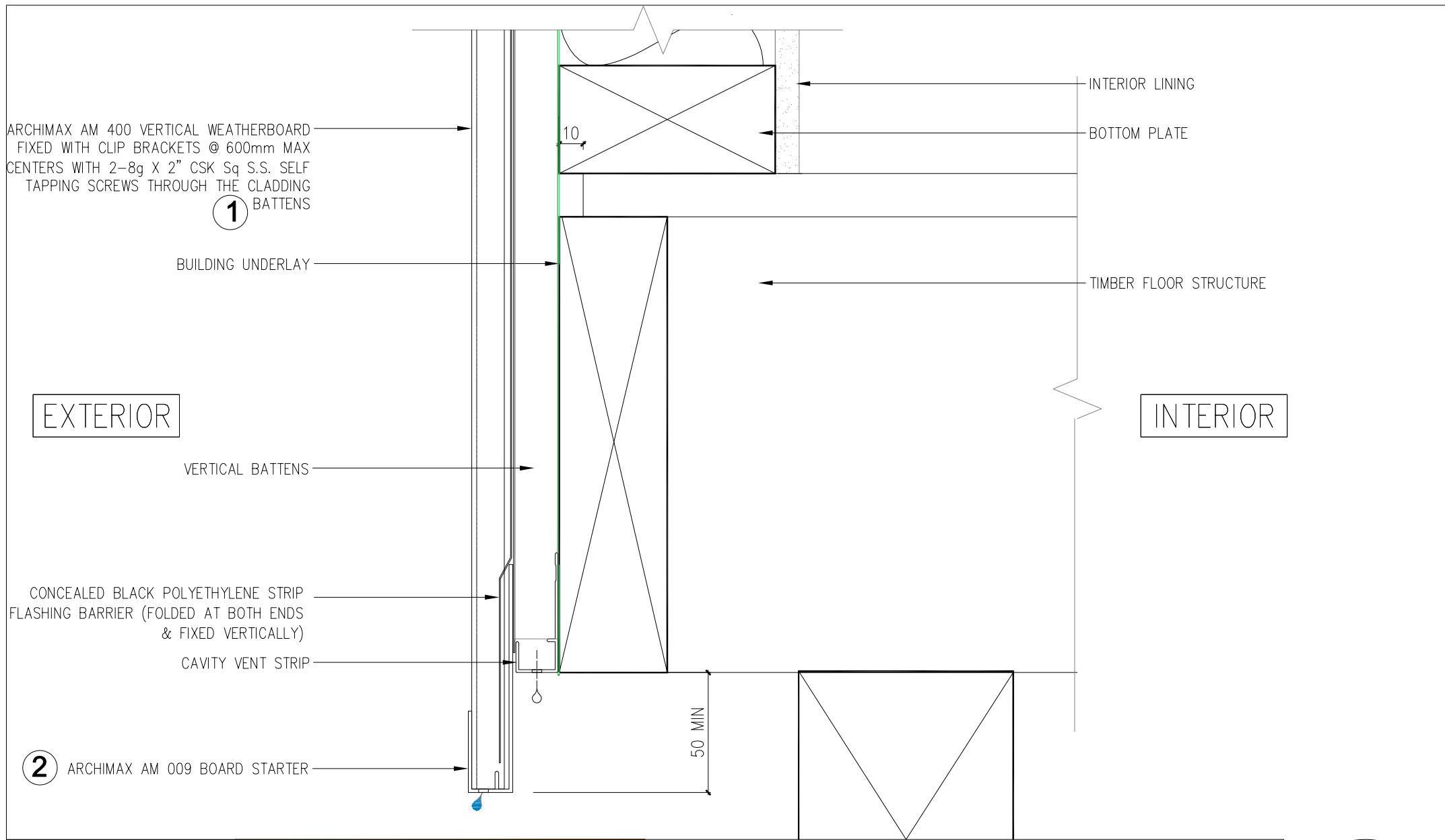
Archimax Limited
 16 Ha Crescent, Wiri 2104 New Zealand
www.archimax.co.nz
 @ ARCHIMAX CLADDING - All Rights Reserved

Concrete Floor Board Starter
Archimax AM 400 - Vertical Weatherboard

Cavity System
 Scale: NTS

D15

Rev : 05



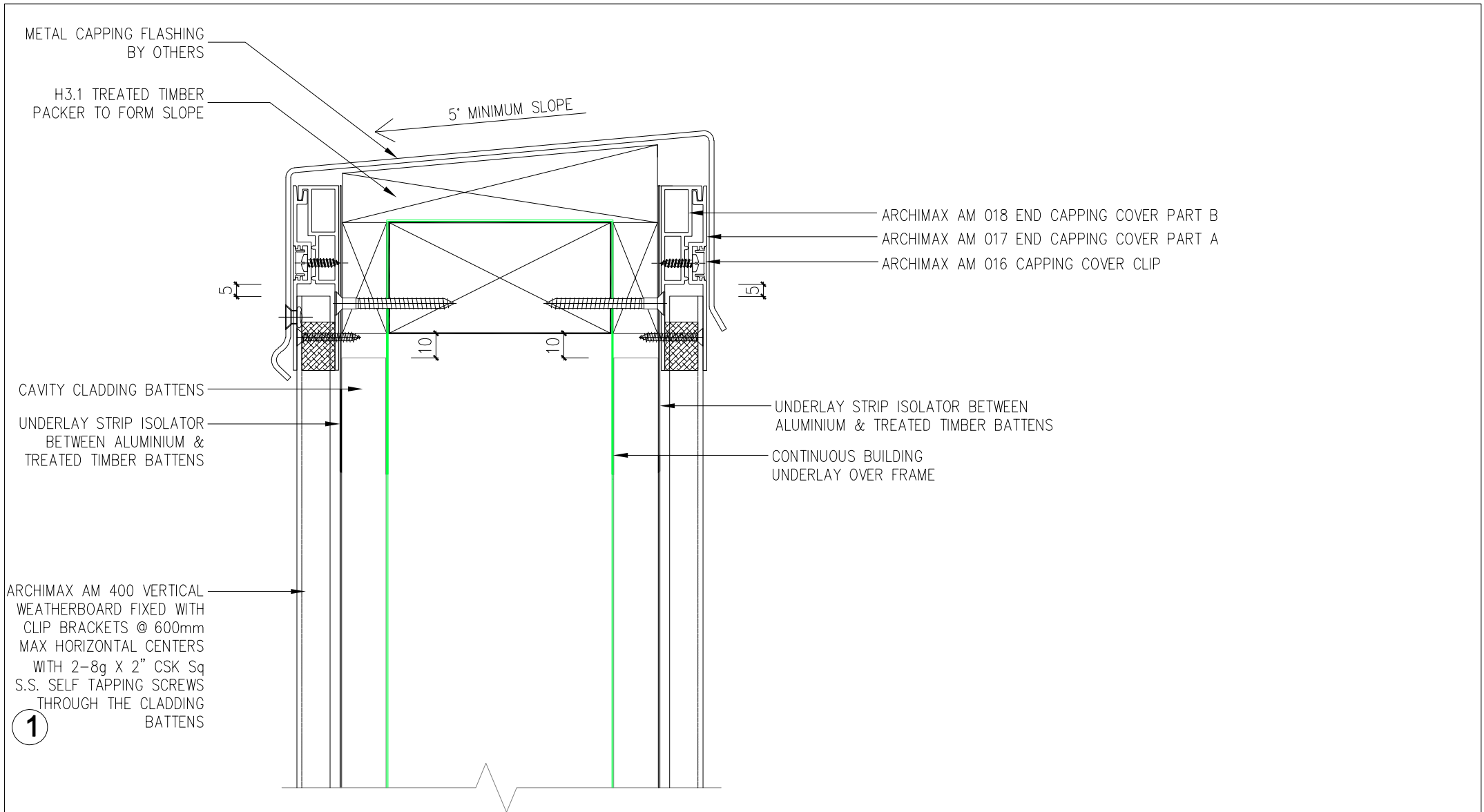
Archimax Limited
 16 Ha Crescent, Wiri 2104 New Zealand
www.archimax.co.nz
 @ ARCHIMAX CLADDING - All Rights Reserved

Parapet
Archimax AM 400 - Vertical Weatherboard

Cavity System
 Scale: NTS

D16

Rev : 05



Archimax Limited

16 Ha Crescent, Wiri 2104 New Zealand
www.archimax.co.nz
 @ ARCHIMAX CLADDING - All Rights Reserved

Parapet on Cavity
 Archimax AM 400 - Vertical Weatherboard

Cavity System
 Scale: NTS

D17

Rev : 05

EXTERIOR

INTERIOR

FACIA BOARD

SEALANT OVER PEF BACKING ROD
ARCHIMAX AM 018 END CAPPING COVER PART B
ARCHIMAX AM 016 CAPPING COVER CLIP
ARCHIMAX AM 017 END CAPPING COVER PART A

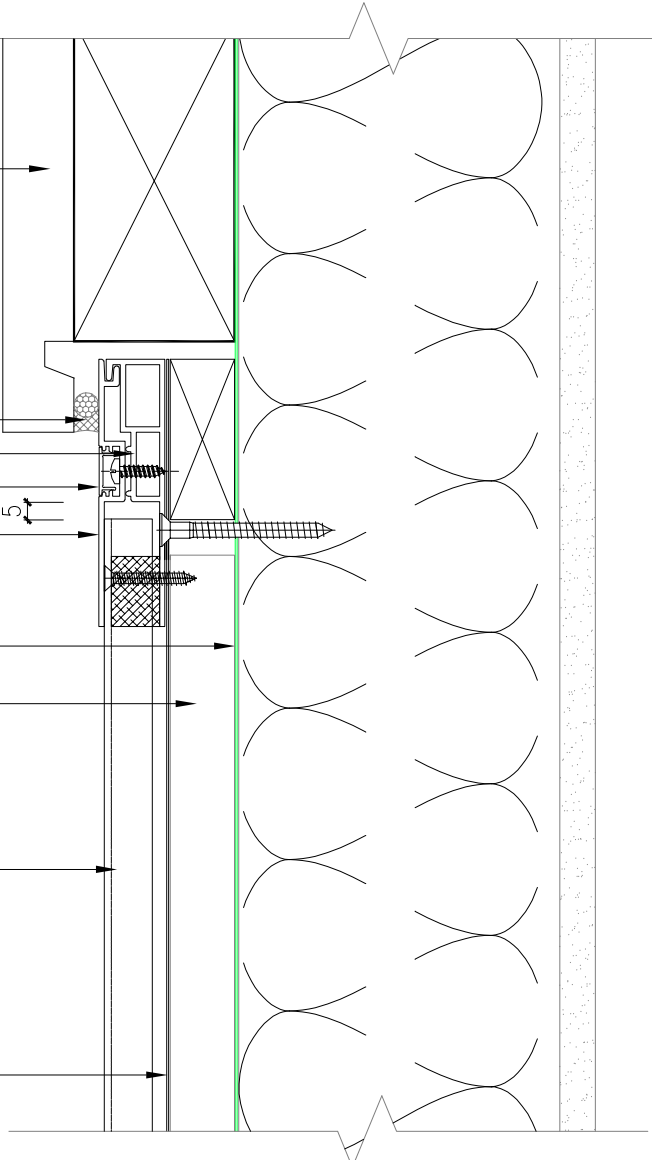
BUILDING UNDERLAY

CAVITY CLADDING BATTENS

1

ARCHIMAX AM 400 VERTICAL WEATHERBOARD
FIXED WITH CLIP BRACKETS @ 600mm MAX
HORIZONTAL CENTERS WITH 2-8g X 2" CSK Sq
S.S. SELF TAPPING SCREWS THROUGH THE
CLADDING BATTENS

UNDERLAY STRIP ISOLATOR BETWEEN
ALUMINIUM & TREATED TIMBER BATTENS



Archimax Limited
16 Ha Crescent, Wiri 2104 New Zealand
www.archimax.co.nz
@ ARCHIMAX CLADDING - All Rights Reserved

Non-Soffit
Archimax AM 400 - Vertical Weatherboard
Cavity System
Scale: NTS

D18
Rev : 05

EXTERIOR

INTERIOR

1

ARCHIMAX AM 400 VERTICAL WEATHERBOARD
FIXED WITH CLIP BRACKETS @ 600mm MAX
HORIZONTAL CENTERS WITH 2-8g X 2" CSK Sq
S.S. SELF TAPPING SCREWS THROUGH THE
CLADDING BATTENS

BUILDING UNDERLAY

CAVITY CLADDING BATTENS

UNDERLAY STRIP ISOLATOR BETWEEN
ALUMINIUM & TREATED TIMBER BATTENS

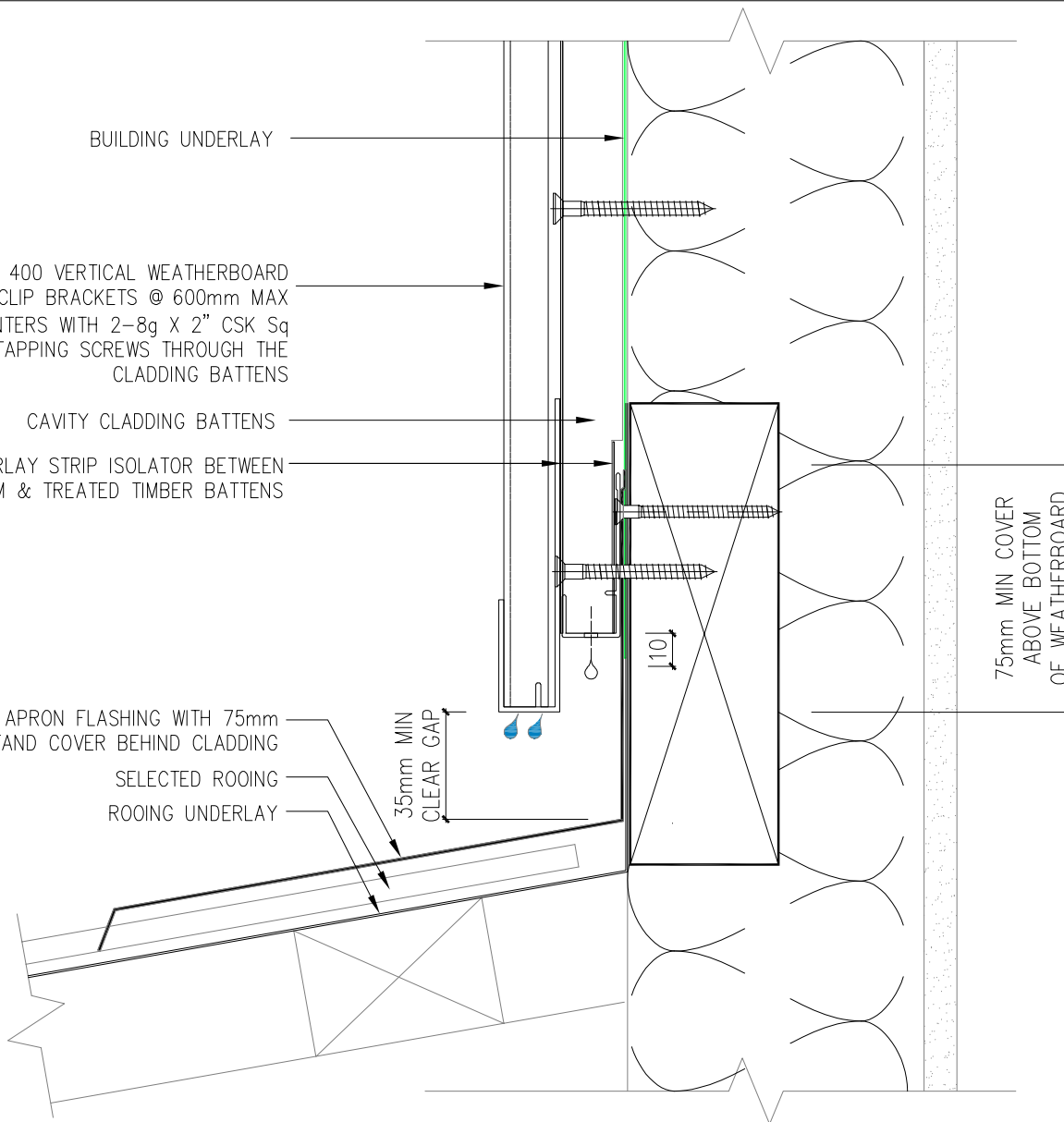
APRON FLASHING WITH 75mm
UPSTAND COVER BEHIND CLADDING

SELECTED ROOFING
ROOFING UNDERLAY

35mm MIN
CLEAR GAP

10

75mm MIN COVER
ABOVE BOTTOM
OF WEATHERBOARD



Archimax Limited

16 Ha Crescent, Wiri 2104 New Zealand
www.archimax.co.nz

@ ARCHIMAX CLADDING - All Rights Reserved

Roof-Wall Junction

Archimax AM 400 - Vertical Weatherboard

Cavity System

Scale: NTS

D19

Rev : 05

EXTERIOR

INTERIOR

CAVITY CLADDING BATTENS

UNDERLAY STRIP ISOLATOR BETWEEN ALUMINIUM & TREATED TIMBER BATTENS

BUILDING UNDERLAY

1

ARCHIMAX AM 400 VERTICAL WEATHERBOARD FIXED WITH CLIP BRACKETS @ 600mm MAX HORIZONTAL CENTERS WITH 2-8g X 2" CSK Sq S.S. SELF TAPPING SCREWS THROUGH THE CLADDING BATTENS

DCP STRIP ISOLATOR BETWEEN ARCHIMAX WEATHERBOARDS & TIMBER PACKERS

SOLID BLOCKING

TIMBER PACKING

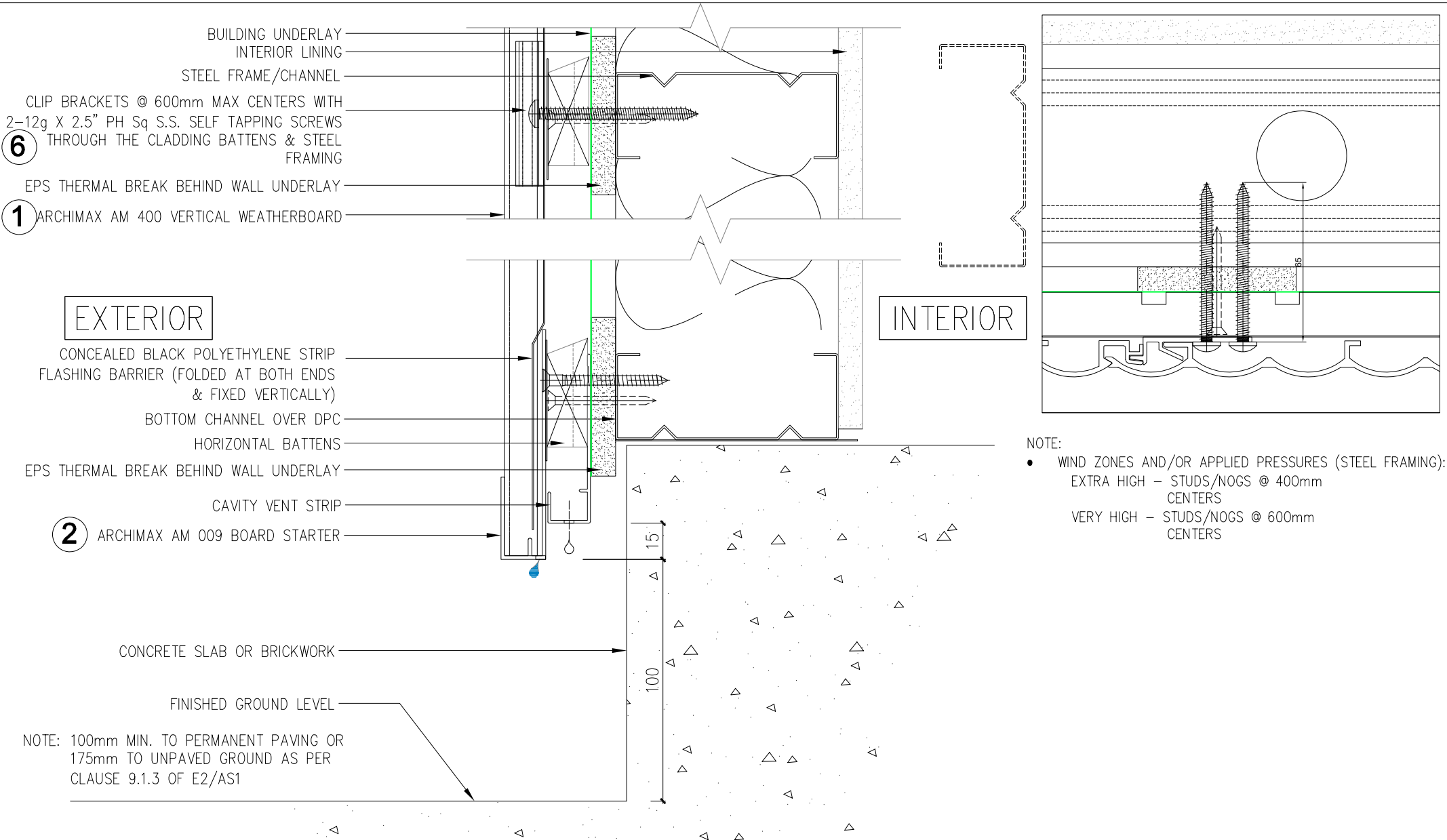
BOLT FIXING



Archimax Limited
16 Ha Crescent, Wiri 2104 New Zealand
www.archimax.co.nz
@ ARCHIMAX CLADDING - All Rights Reserved

Deck Junction
Archimax AM 400 - Vertical Weatherboard
Cavity System
Scale: NTS

D20
Rev : 05



Archimax Limited

16 Ha Crescent, Wiri 2104 New Zealand

www.archimax.co.nz

@ ARCHIMAX CLADDING - All Rights Reserved

Steel Stud/Nogs Details

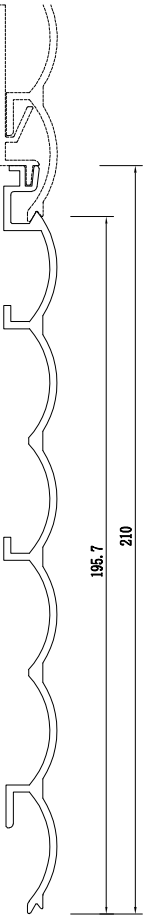
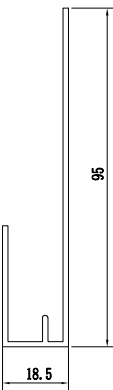
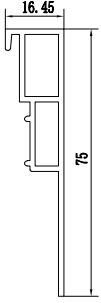
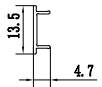
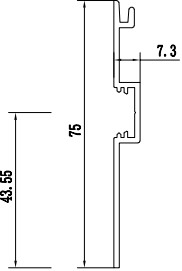
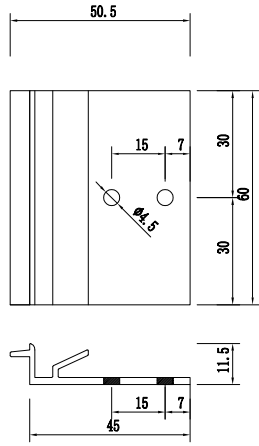
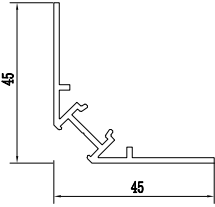
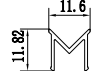
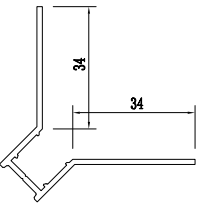
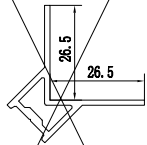
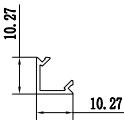
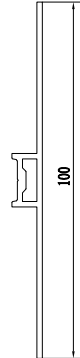
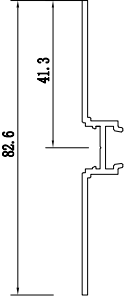
Archimax AM 400 - Vertical Weatherboard

Cavity System

Scale: NTS

D21

Rev : 05

 <p>196.7 210</p> <p>1</p>	 <p>18.5 95</p> <p>2</p>	 <p>16.45 75</p> <p>3</p>	 <p>13.5 4.7</p> <p>4</p>	 <p>43.55 75 7.3</p> <p>5</p>	 <p>50.5 15 7 30 30 60 11.5 45 15 7</p> <p>6</p>	 <p>45 45</p> <p>7</p>	 <p>11.6 11.82</p> <p>8</p>
<p>AM_009 BOARD STARTER</p>	<p>AM_018 END CAPPING PART B</p>	<p>AM_016 JOINTER / JAMB / SILL CAPPING COVER CLIP</p>	<p>AM_017 END CAPPING PART A</p>	<p>AM_029 CLIP BRACKET</p>	<p>AM_019 INTERNAL/EXTERNAL CORNER PART A</p>	<p>AM_023 INTERNAL CORNER COVER CLIP</p>	
 <p>34 34</p> <p>9</p>	 <p>26.5 26.5</p> <p>10</p>	 <p>10.27 10.27</p> <p>11</p>	 <p>100</p> <p>12</p>	 <p>82.6 41.3</p> <p>13</p>			
<p>AM_400 ARCHIMAX 400 HORIZONTAL/ VERTICAL WEATHERBOARD</p>	<p>AM_022 INTERNAL CORNER PART B</p>	<p>AM_021 EXTERNAL CORNER PART B</p>	<p>AM_020 EXTERNAL CORNER COVER CLIP</p>	<p>AM_025 JOINTER PART A</p>	<p>AM_024 JOINTER PART B</p>		



Archimax Limited
 16 Ha Crescent, Wiri 2104 New Zealand
www.archimax.co.nz
 @ ARCHIMAX CLADDING - All Rights Reserved

Parts Profile
Archimax AM 400 - Horizontal Weatherboard

Cavity System
 Scale: NTS

D23

Rev : 05