

AM 100-1 - Horizontal Weatherboard (DETAILS)

- HW01 - ELEVATION / SECTIONS
- HW02 - PLANS
- D01 - WINDOW HEAD DETAIL
- D02 - WINDOW SILL DETAIL
- D03 - WINDOW JAMB DETAIL
- D04 - INTERNAL CORNER DETAIL
- D05 - EXTERNAL CORNER DETAIL
- D06 - HORIZONTAL JOINT / INTER-STOREY JUNCTION DETAIL
- D07 - BALUSTRADE TOP DETAIL
- D08 - BALUSTRADE JUNCTION DETAIL
- D09 - SOFFIT DETAIL
- D10 - BOTTOM DETAIL
- D11 - PIPE PENETRATION DETAIL
- D12 - VERTICAL DETAIL
- D13 - METER BOX HEAD DETAIL
- D14 - METER BOX SILL DETAIL
- D15 - METER BOX JAMB DETAIL
- D16 - CONCRETE FLOOR BOARD STARTER DETAIL
- D17 - PARAPET DETAIL
- D18 - PARAPET ON CAVITY DETAIL
- D19 - NON-SOFFIT DETAIL
- D20 - ROOF WALL JUNCTION DETAIL
- D21 - DECK JUNCTION DETAIL
- D22 - STEEL STUD/NOGS DETAIL
- D23 - PARTS PROFILE



ARCHIMAX CLADDING

Archimax Limited

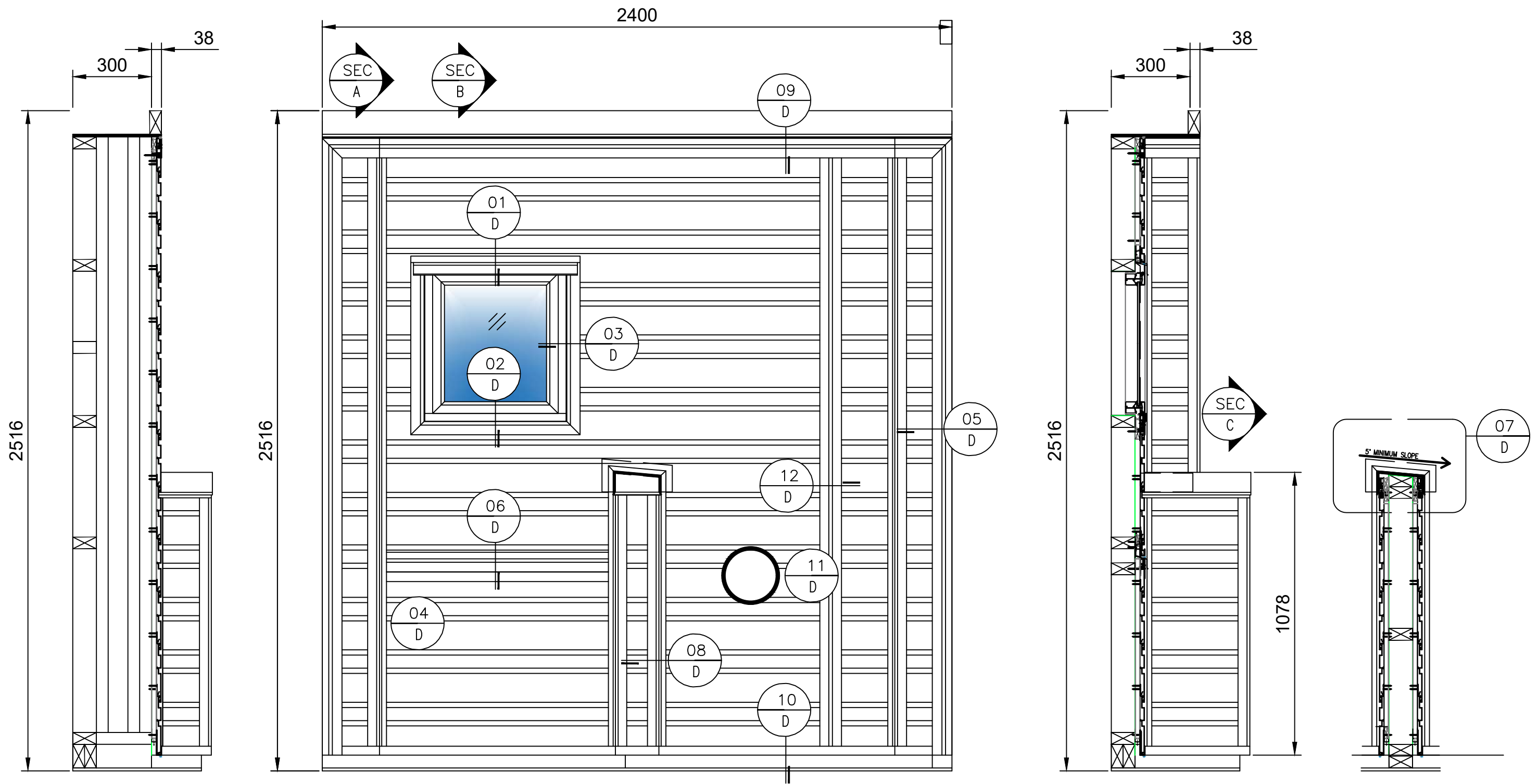
16 Ha Crescent, Wiri 2104 New Zealand
www.archimax.co.nz
@ ARCHIMAX CLADDING - All Rights Reserved

Archimax AM 100-1 - Horizontal Weatherboard

Cavity System
Scale: NTS

HW00

Rev : 06



SECTION A

ELEVATION

SECTION B

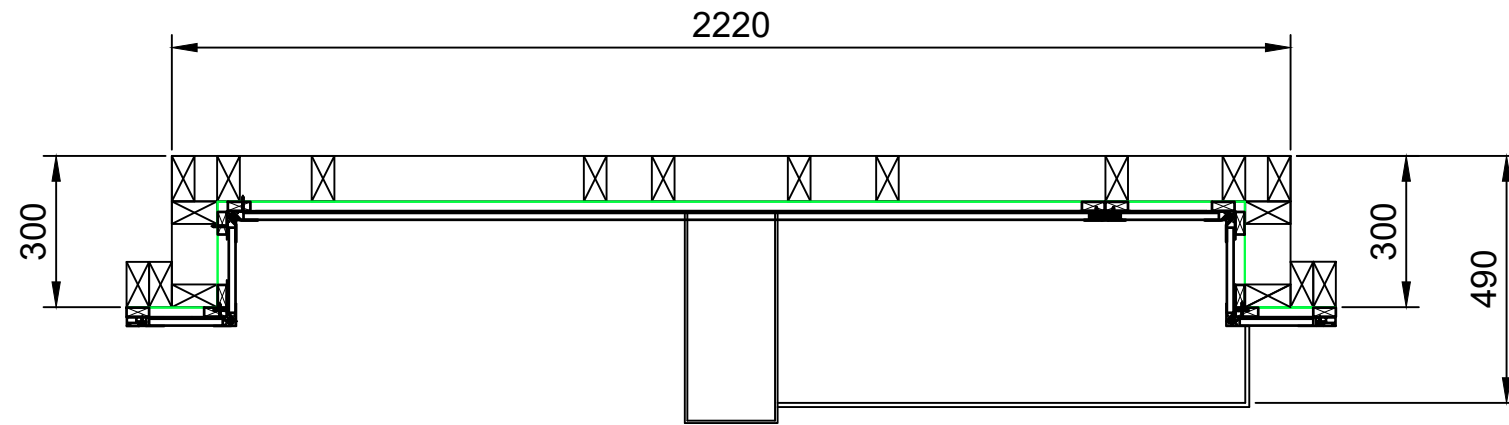
SECTION C



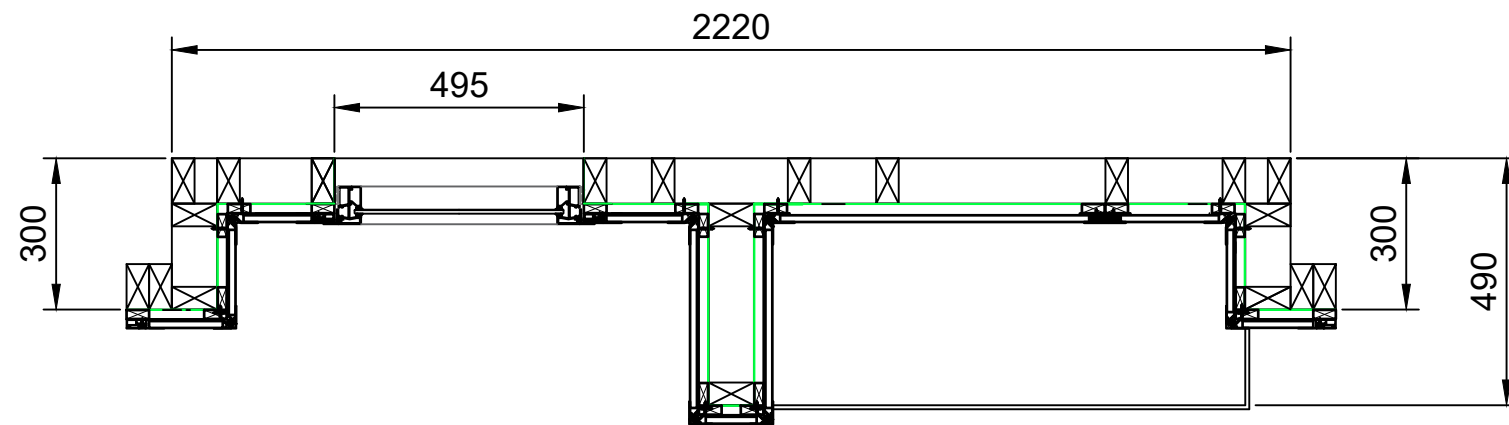
Archimax Limited
 16 Ha Crescent, Wiri 2104 New Zealand
 www.archimax.co.nz
 @ ARCHIMAX CLADDING - All Rights Reserved

Elevation / Sections
 Archimax AM 100-1 Horizontal Weatherboard
 Cavity System
 Scale: NTS

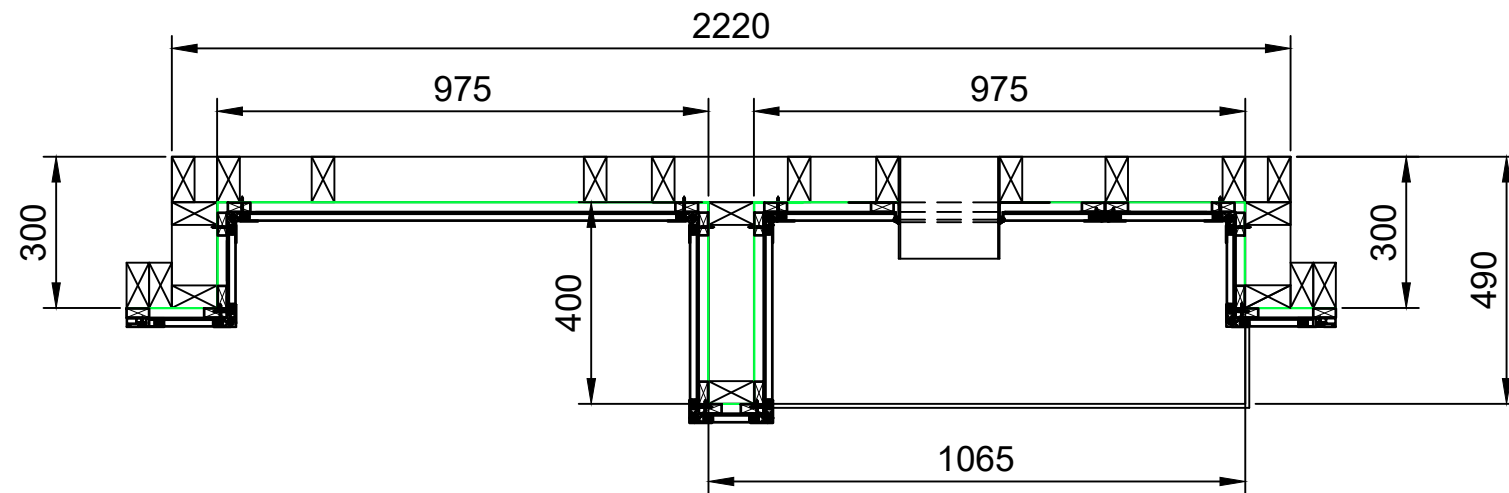
HW01
 Rev : 06



PLAN (TOP)



PLAN (@ WINDOW)



PLAN (BOTTOM)

NOTE:

- MAXIMUM NOG/STUD & BATTEN SPACING @ 600mm CENTERS (AS PER NZS 3604 FOR STRUCTURE AND E2/AS1 FOR ROOF & WALL CLADDING)
- CAVITY BATTENS FIXED TO STUD/NOGS @ 600mm CENTERS
- WIND ZONES AND/OR APPLIED PRESSURES:
EXTRA HIGH – STUDS/NOGS @ 400mm CENTERS (STEEL)
VERY HIGH – STUDS/NOGS @ 600mm CENTERS
- CAVITY BATTENS MAY REQUIRE MACHINING, PACKER/SHIMS TO ENSURE BOARDS ARE FITTED FLAT WITHOUT DISTORSION
- UNDERLAY ISOLATOR STRIPS REQUIRED BETWEEN BATTENS & ALUMINIUM CLADDING (ONLY IF TREATED TIMBER IS USED AS BATTENS)
- CAVITY CLOSERS REQUIRED. DRAINED & VENTED CAVITY AS PER NZBC E2/AS1



ARCHIMAX CLADDING

Archimax Limited

16 Ha Crescent, Wiri 2104 New Zealand

www.archimax.co.nz

@ ARCHIMAX CLADDING - All Rights Reserved

Plans

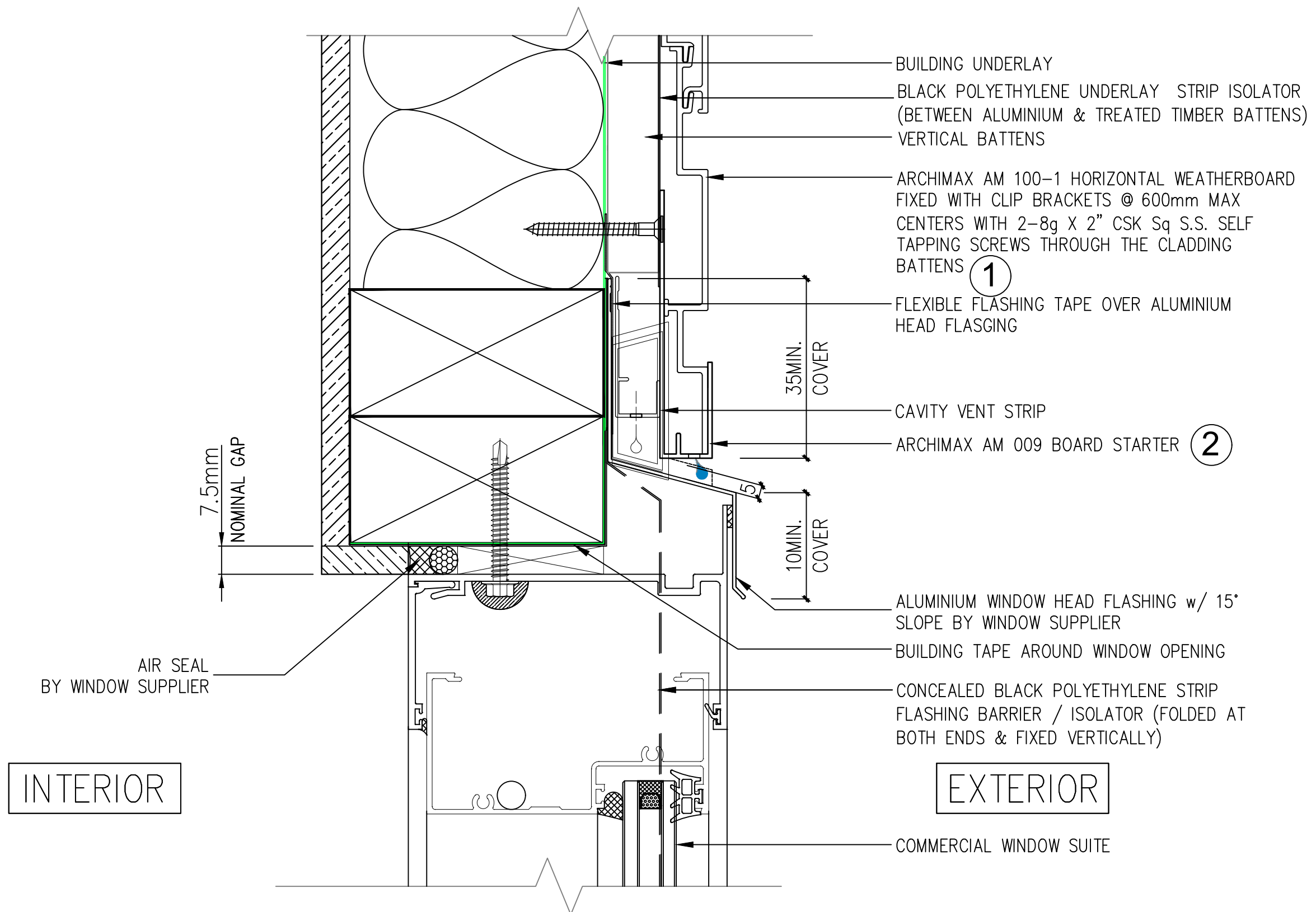
Archimax AM 100-1 Horizontal Weatherboard

Cavity System

Scale: NTS

HW02

Rev : 06



Archimax Limited

16 Ha Crescent, Wiri 2104 New Zealand
 www.archimax.co.nz
 @ ARCHIMAX CLADDING - All Rights Reserved

Window Head Detail

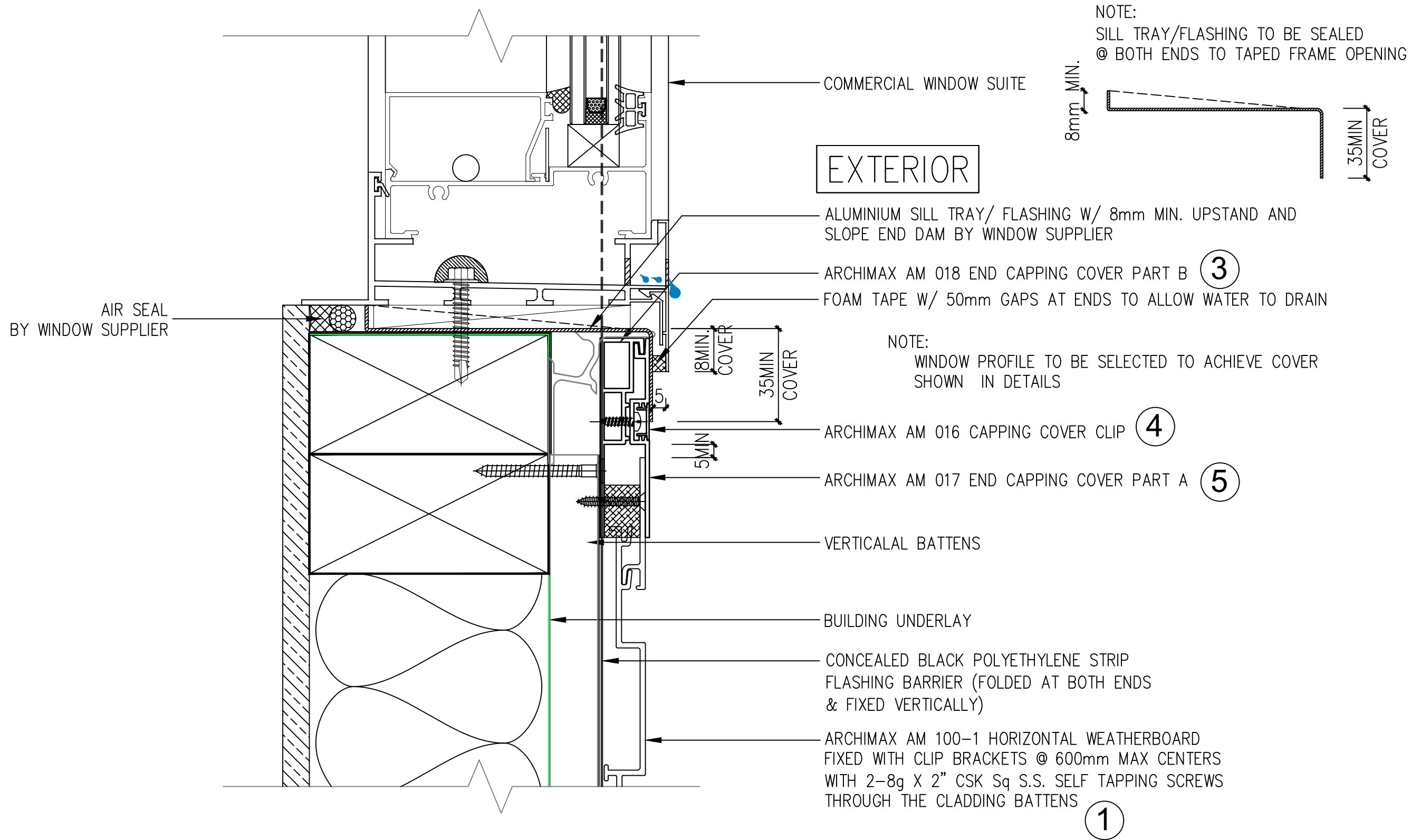
Archimax AM 100-1 - Horizontal Weatherboard

Cavity System

Scale: NTS

D01

Rev : 06



ARCHIMAX CLADDING

Archimax Limited

16 Ha Crescent, Wiri 2104 New Zealand
 www.archimax.co.nz
 @ ARCHIMAX CLADDING - All Rights Reserved

Window Sill Detail

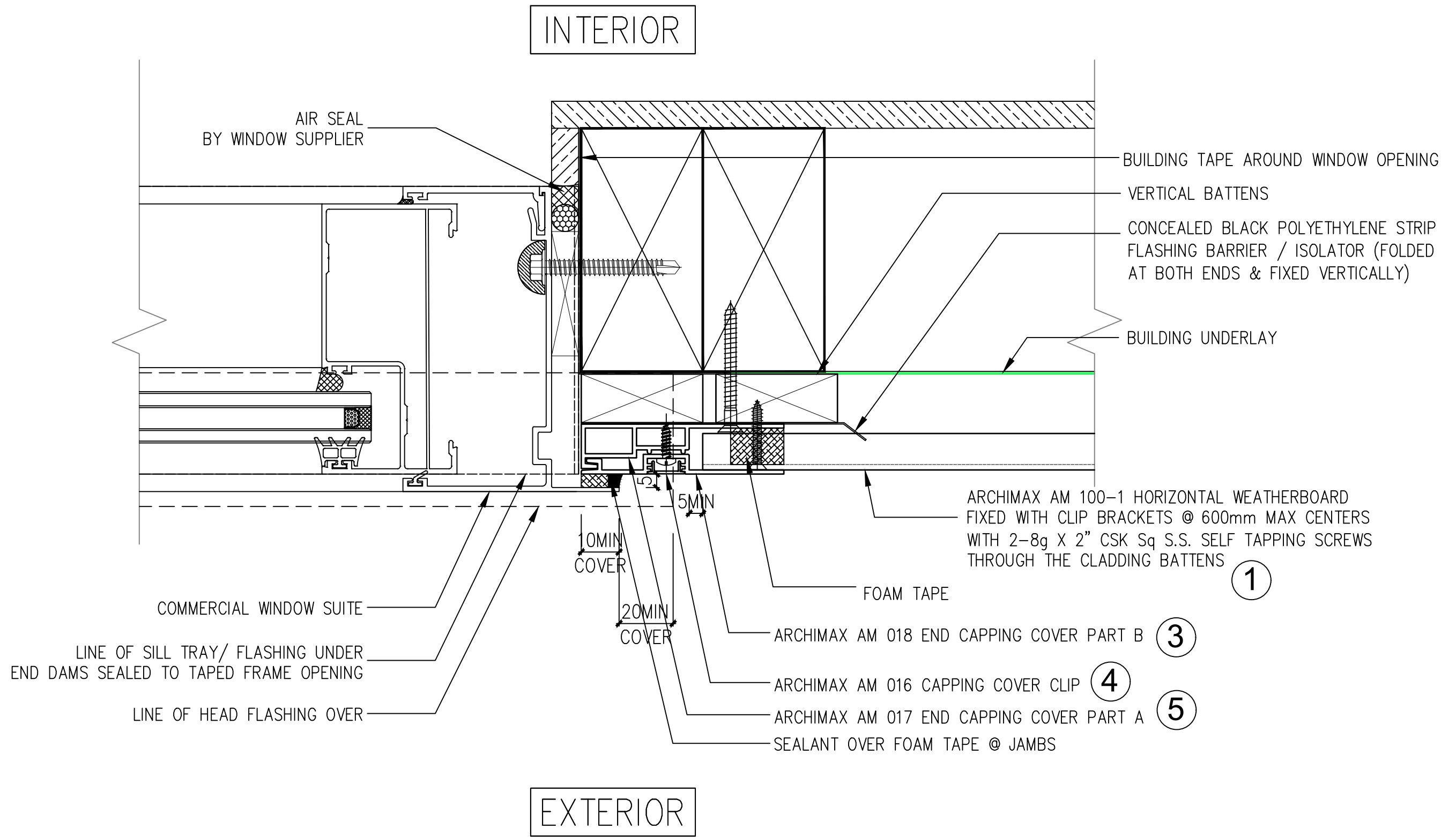
Archimax AM 100-1 - Horizontal Weatherboard

Cavity System

Scale: NTS

D02

Rev : 06



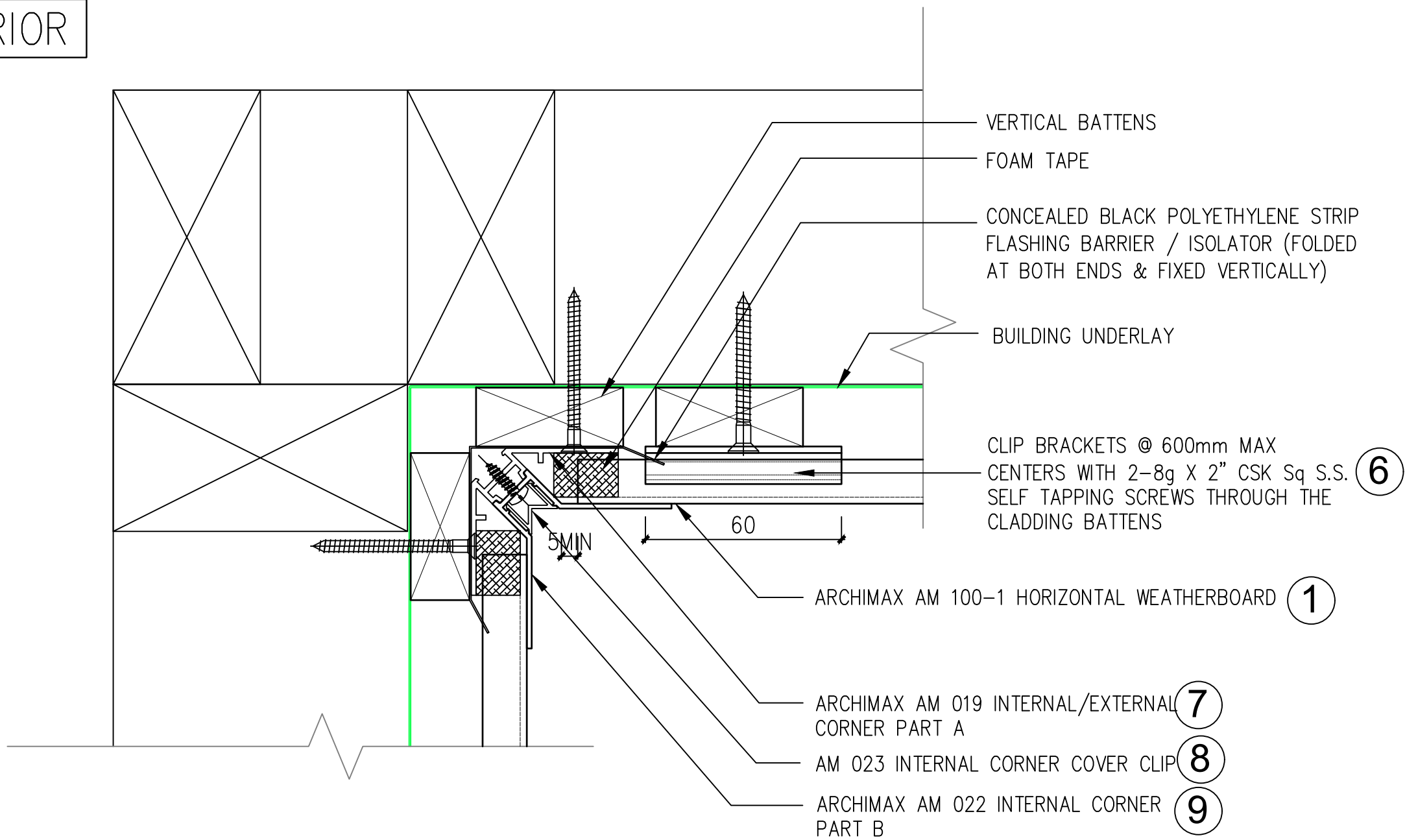
Archimax Limited
 16 Ha Crescent, Wiri 2104 New Zealand
 www.archimax.co.nz
 @ ARCHIMAX CLADDING - All Rights Reserved

Window Jamb Detail
 Archimax AM 100-1 - Horizontal Weatherboard
 Cavity System
 Scale: NTS

D03

Rev : 06

INTERIOR



EXTERIOR



Archimax Limited

16 Ha Crescent, Wiri 2104 New Zealand
 www.archimax.co.nz
 @ ARCHIMAX CLADDING - All Rights Reserved

Internal Corner Detail

Archimax AM 100-1 - Horizontal Weatherboard

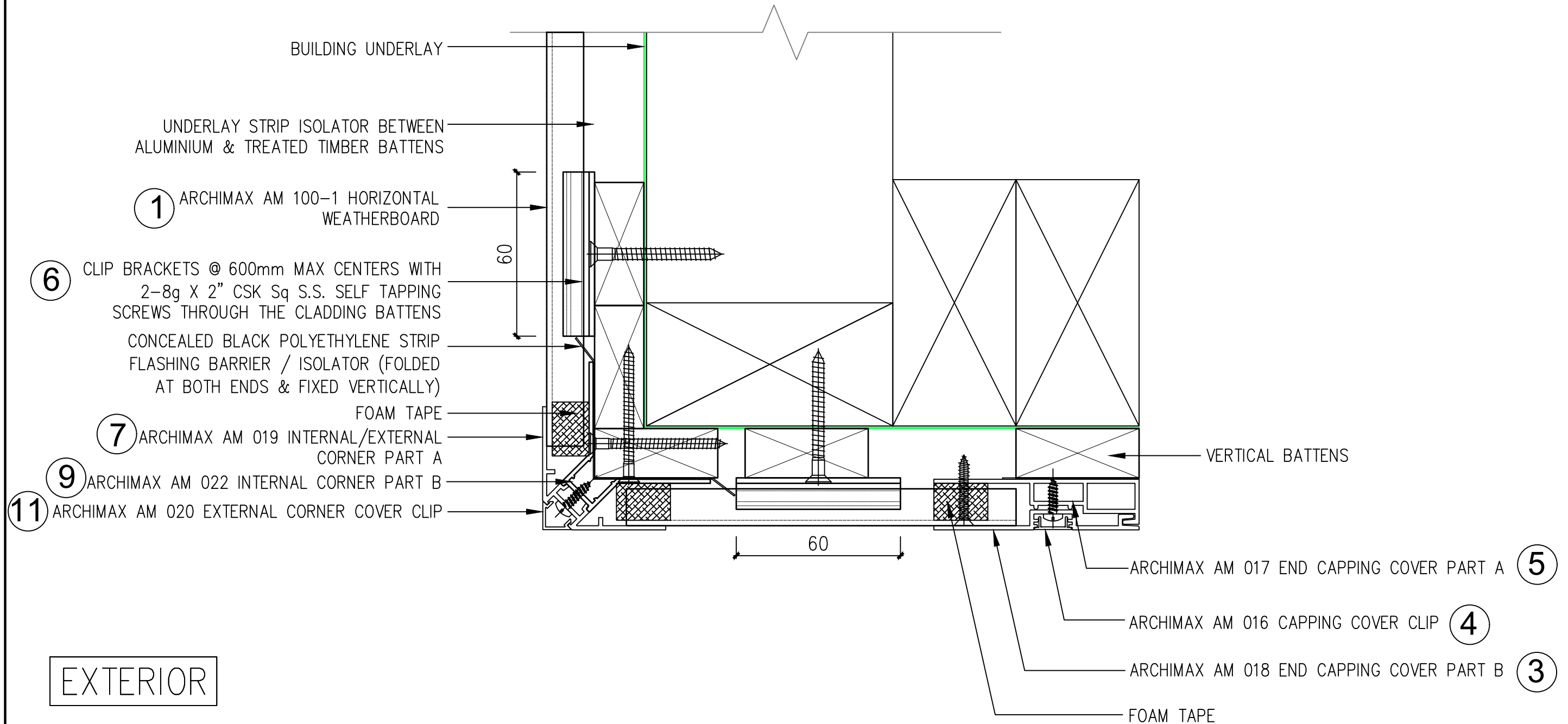
Cavity System

Scale: NTS

D04

Rev : 06

INTERIOR



ARCHIMAX CLADDING

Archimax Limited

16 Ha Crescent, Wiri 2104 New Zealand
www.archimax.co.nz
@ ARCHIMAX CLADDING - All Rights Reserved

External Corner Detail
Archimax AM 100-1 - Horizontal Weatherboard

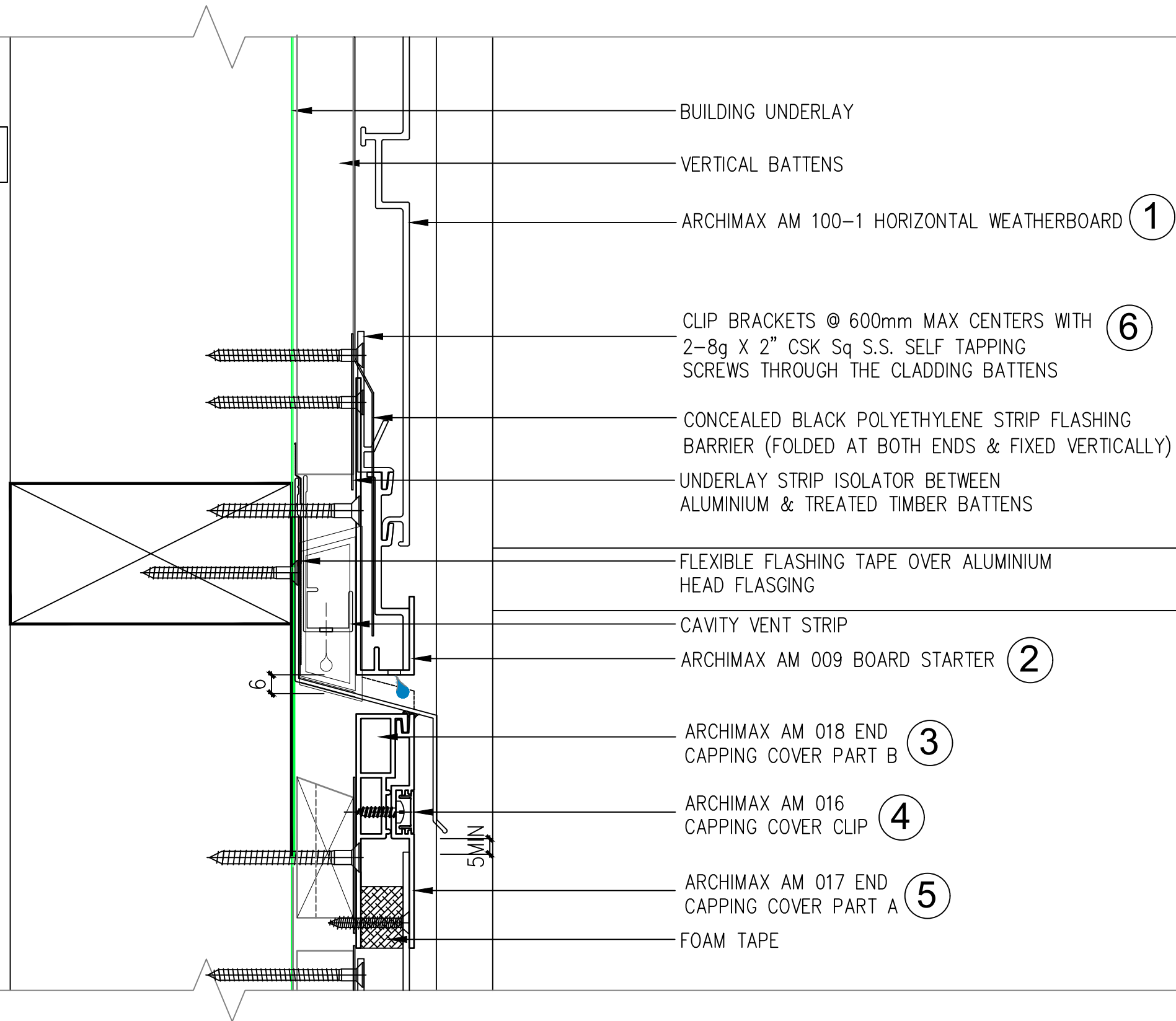
Cavity System
Scale: NTS

D05

Rev : 06

INTERIOR

EXTERIOR



BUILDING UNDERLAY

VERTICAL BATTENS

ARCHIMAX AM 100-1 HORIZONTAL WEATHERBOARD (1)

CLIP BRACKETS @ 600mm MAX CENTERS WITH (6)
2-8g X 2" CSK Sq S.S. SELF TAPPING
SCREWS THROUGH THE CLADDING BATTENS

CONCEALED BLACK POLYETHYLENE STRIP FLASHING
BARRIER (FOLDED AT BOTH ENDS & FIXED VERTICALLY)

UNDERLAY STRIP ISOLATOR BETWEEN
ALUMINIUM & TREATED TIMBER BATTENS

FLEXIBLE FLASHING TAPE OVER ALUMINIUM
HEAD FLASHING

CAVITY VENT STRIP

ARCHIMAX AM 009 BOARD STARTER (2)

ARCHIMAX AM 018 END
CAPPING COVER PART B (3)

ARCHIMAX AM 016
CAPPING COVER CLIP (4)

ARCHIMAX AM 017 END
CAPPING COVER PART A (5)

FOAM TAPE



ARCHIMAX CLADDING

Archimax Limited

16 Ha Crescent, Wiri 2104 New Zealand

www.archimax.co.nz

@ ARCHIMAX CLADDING - All Rights Reserved

Horizontal Joint Detail

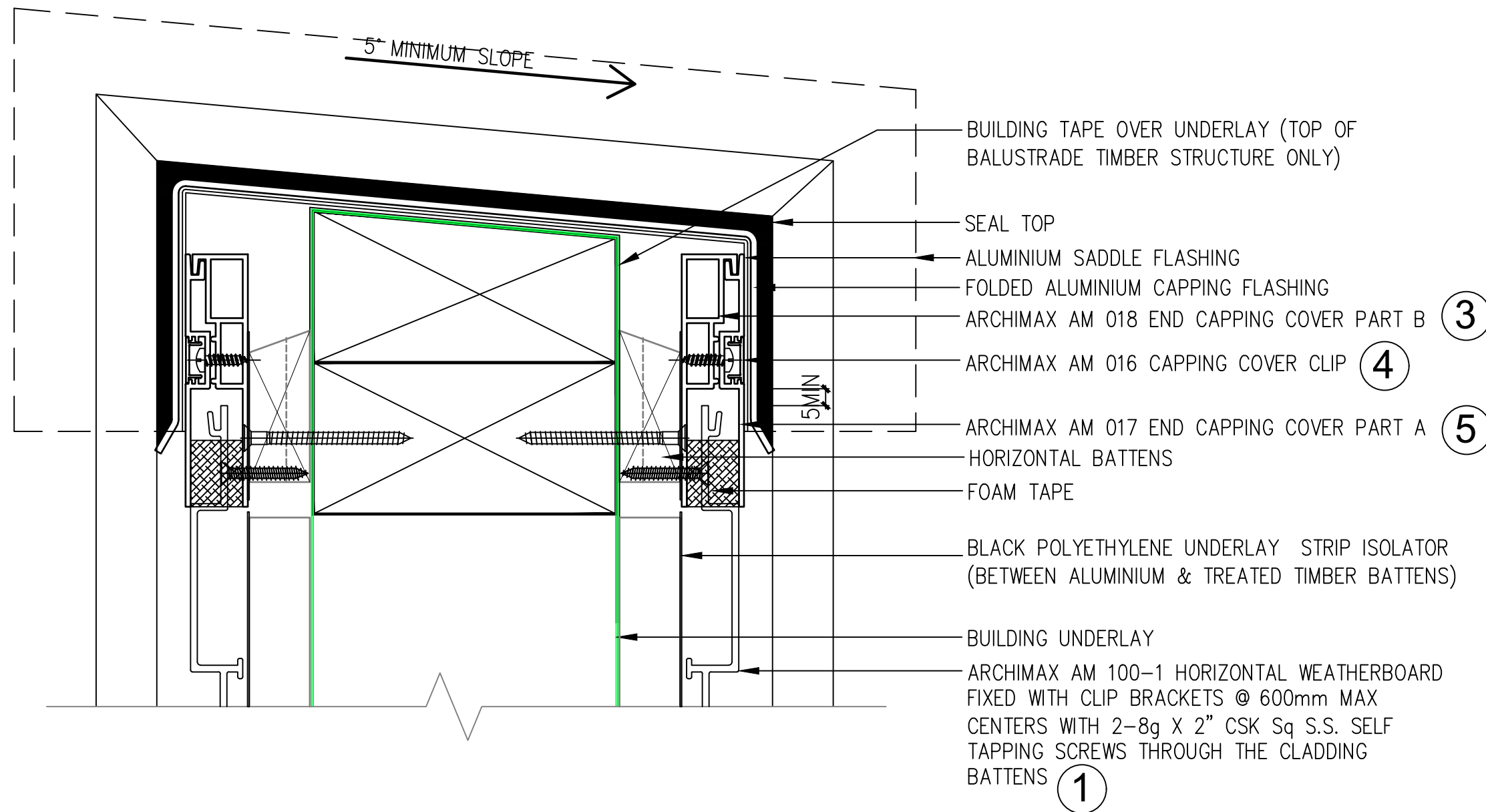
Archimax AM 100-1 - Horizontal Weatherboard

Cavity System

Scale: NTS

D06

Rev : 06



ARCHIMAX CLADDING

Archimax Limited

16 Ha Crescent, Wiri 2104 New Zealand
 www.archimax.co.nz
 @ ARCHIMAX CLADDING - All Rights Reserved

Balustrade Detail

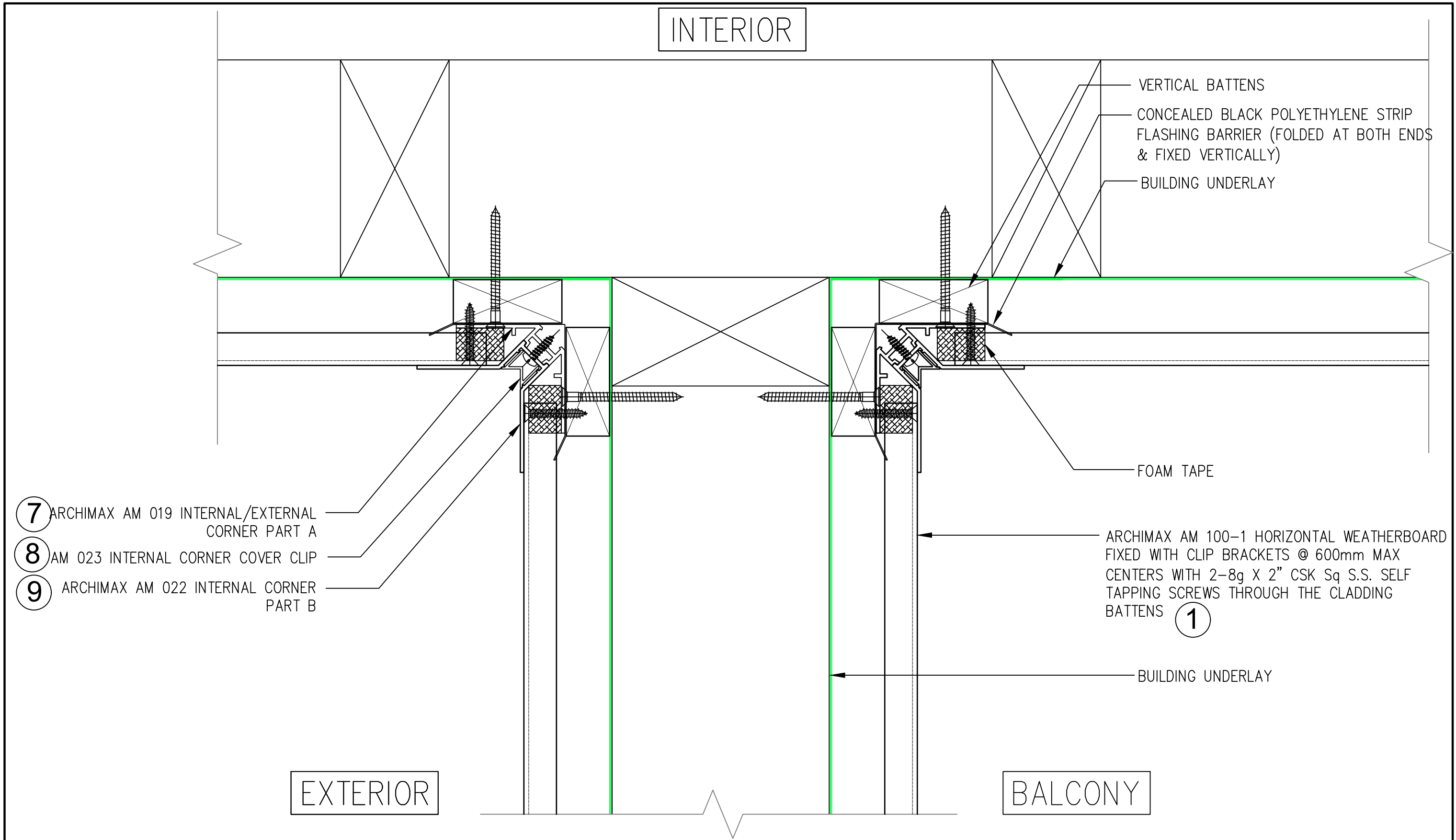
Archimax AM 100-1 - Horizontal Weatherboard

Cavity System

Scale: NTS

D07

Rev : 06



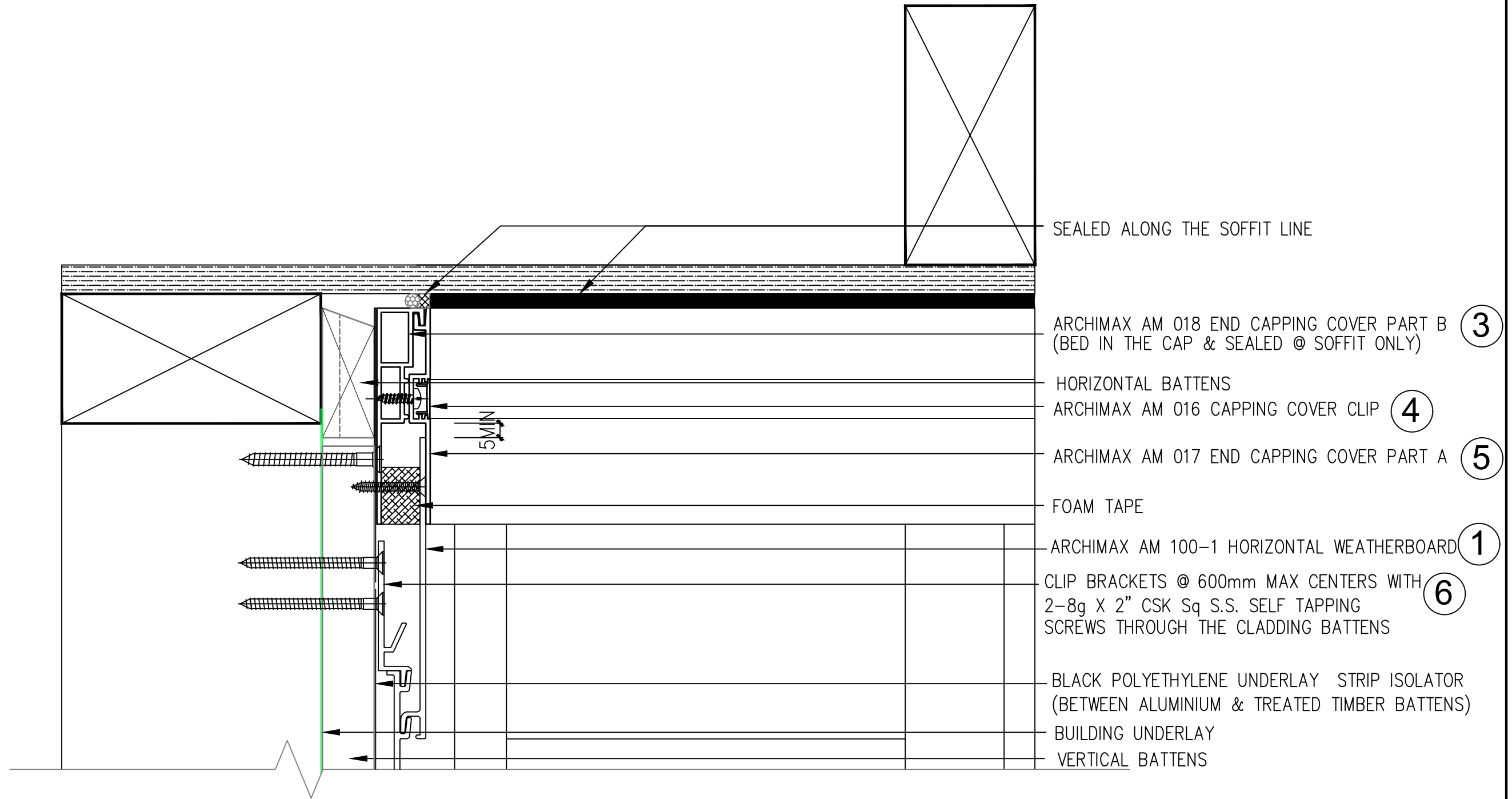

Archimax Limited
 16 Ha Crescent, Wiri 2104 New Zealand
www.archimax.co.nz
 @ ARCHIMAX CLADDING - All Rights Reserved

Balustrade Junction Detail
 Archimax AM 100-1 - Horizontal Weatherboard

Cavity System
 Scale: NTS

D08

Rev : 06



INTERIOR

EXTERIOR



Archimax Limited

16 Ha Crescent, Wiri 2104 New Zealand
 www.archimax.co.nz
 @ ARCHIMAX CLADDING - All Rights Reserved

Soffit Detail

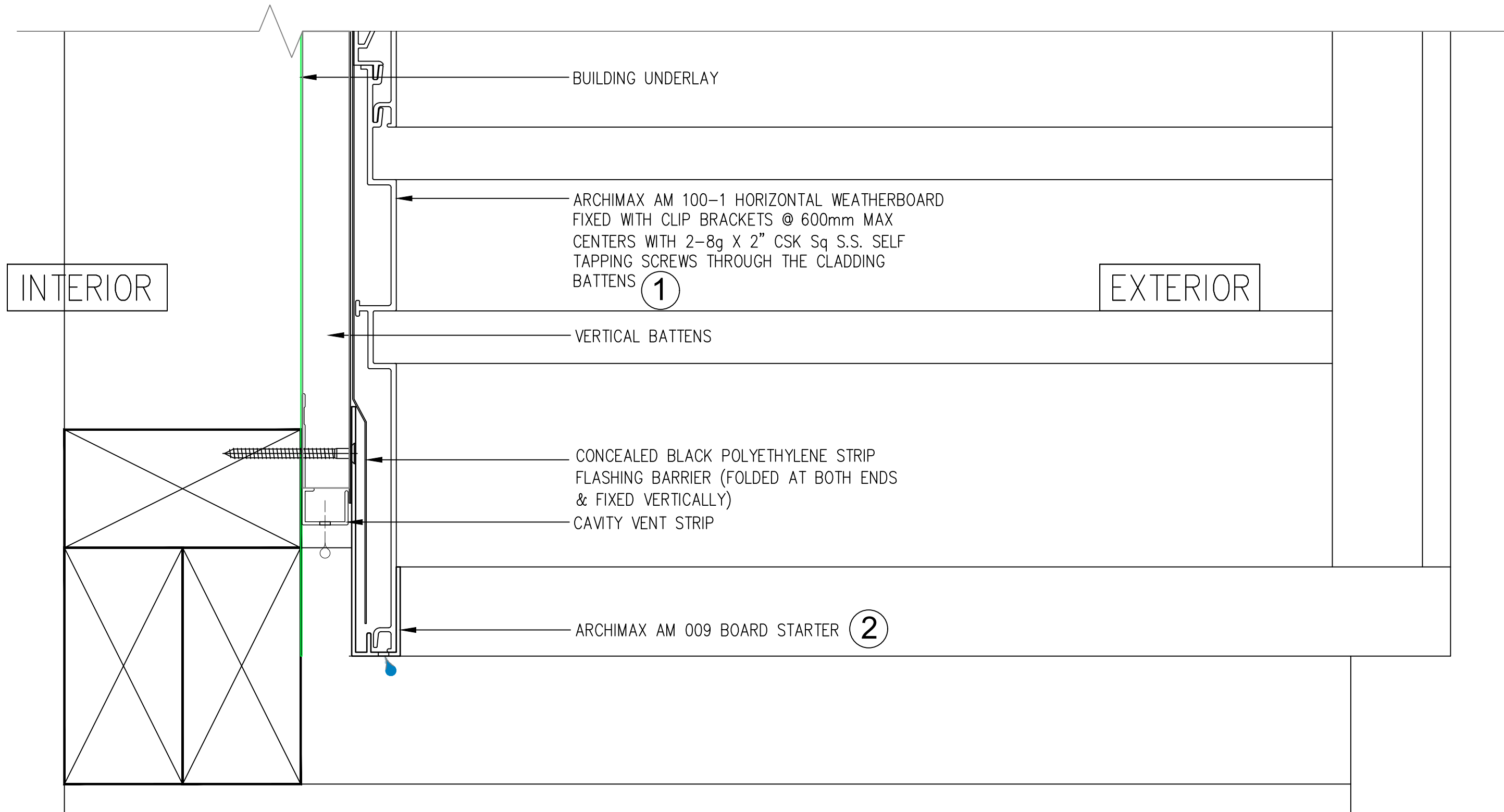
Archimax AM 100-1 - Horizontal Weatherboard

Cavity System

Scale: NTS

D09

Rev : 06



ARCHIMAX CLADDING

Archimax Limited

16 Ha Crescent, Wiri 2104 New Zealand
www.archimax.co.nz
 @ ARCHIMAX CLADDING - All Rights Reserved

Bottom Detail

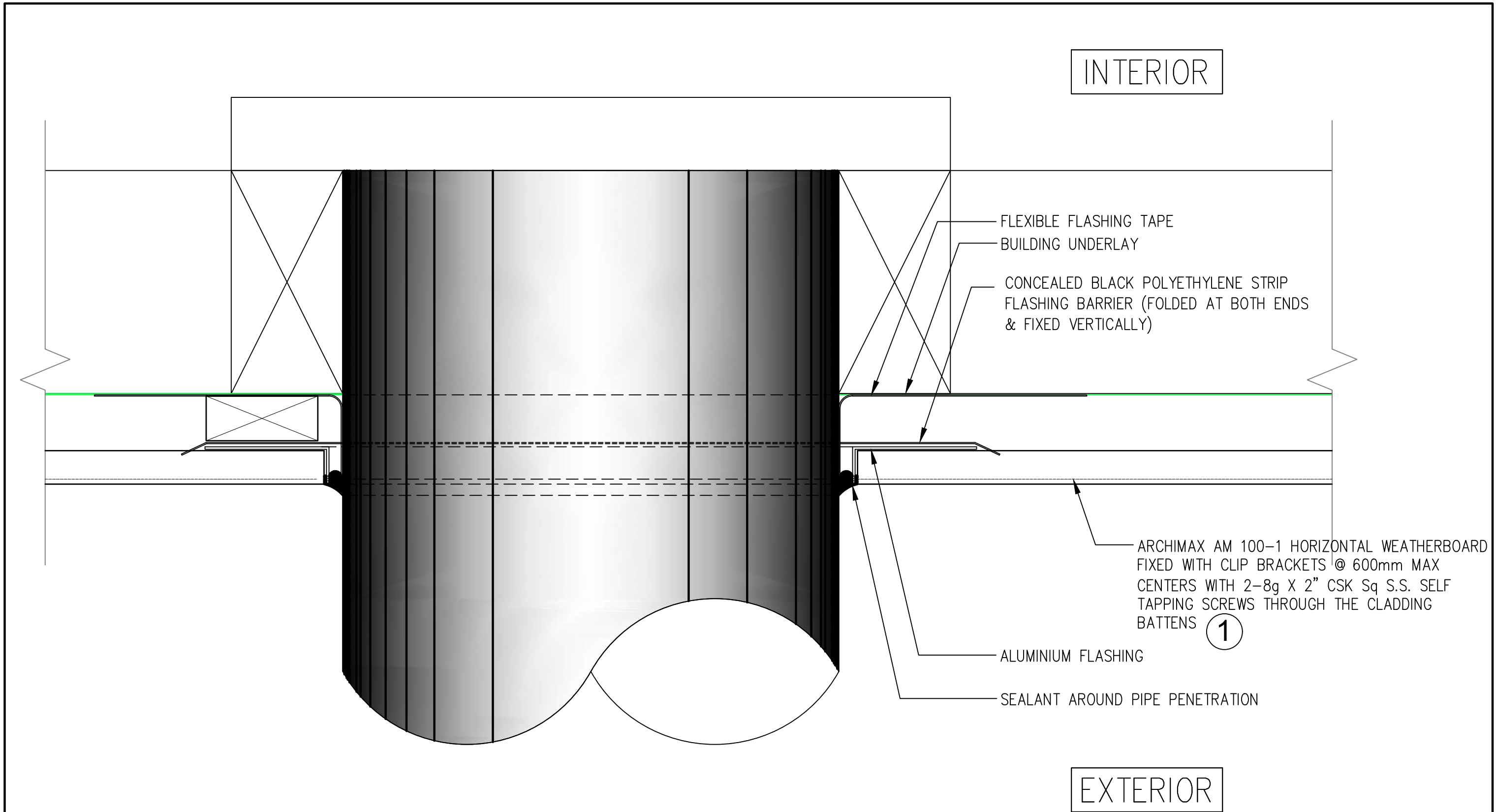
Archimax AM 100-1 - Horizontal Weatherboard

Cavity System

Scale: NTS

D10

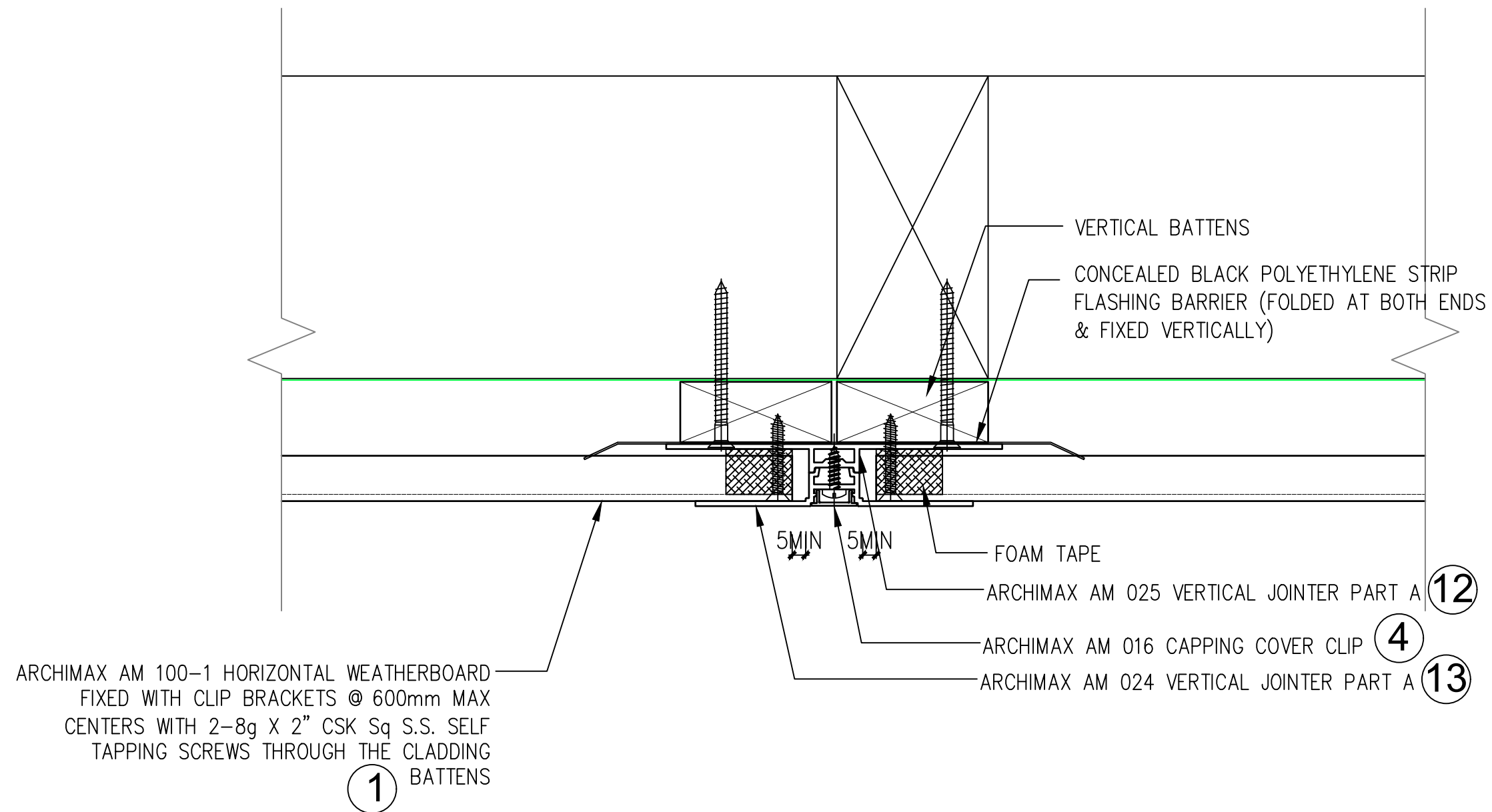
Rev : 06



Archimax Limited
 16 Ha Crescent, Wiri 2104 New Zealand
www.archimax.co.nz
 @ ARCHIMAX CLADDING - All Rights Reserved

Pipe Penetration Detail
 Archimax AM 100-1 - Horizontal Weatherboard
 Cavity System
 Scale: NTS

D11
 Rev : 06



ARCHIMAX CLADDING

Archimax Limited

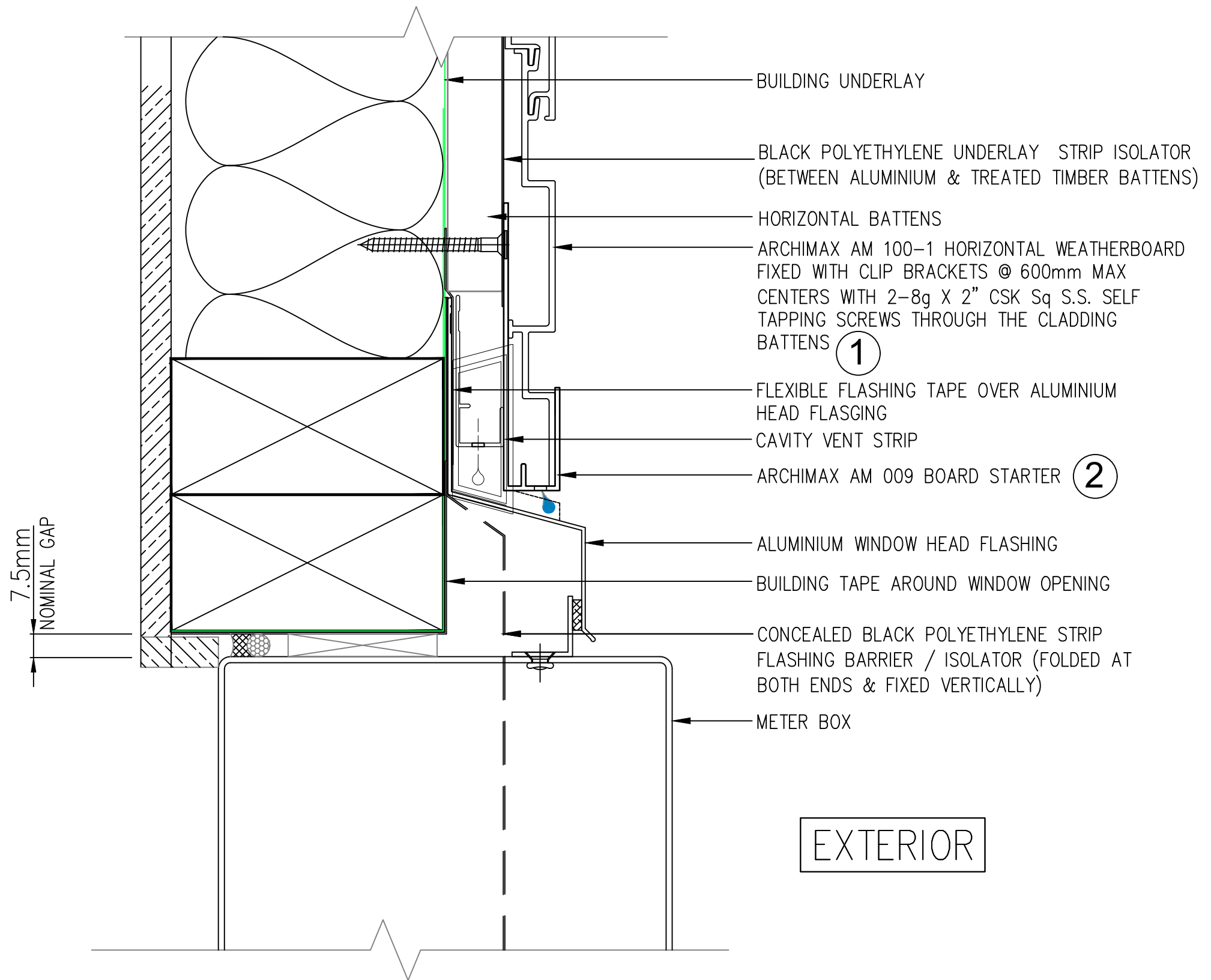
16 Ha Crescent, Wiri 2104 New Zealand
www.archimax.co.nz
@ ARCHIMAX CLADDING - All Rights Reserved

Vertical Joint Detail
Archimax AM 100-1 - Horizontal Weatherboard

Cavity System
Scale: NTS

D12

Rev : 06



INTERIOR

EXTERIOR



Archimax Limited

16 Ha Crescent, Wiri 2104 New Zealand
 www.archimax.co.nz
 @ ARCHIMAX CLADDING - All Rights Reserved

Meter Box Head

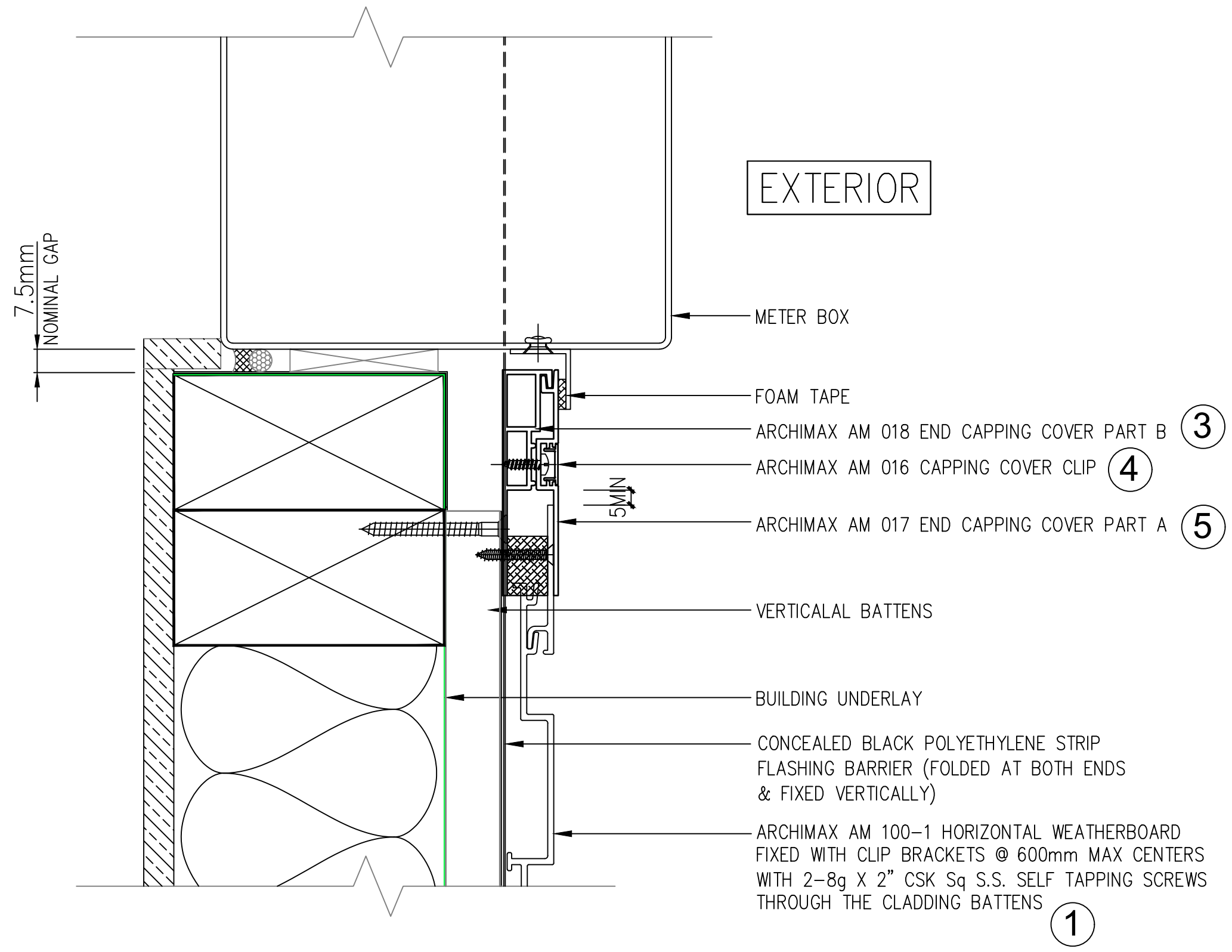
Archimax AM 100-1 - Horizontal Weatherboard

Cavity System

Scale: NTS

D13

Rev : 06



ARCHIMAX CLADDING

Archimax Limited

16 Ha Crescent, Wiri 2104 New Zealand
 www.archimax.co.nz
 @ ARCHIMAX CLADDING - All Rights Reserved

Meter Box Sill

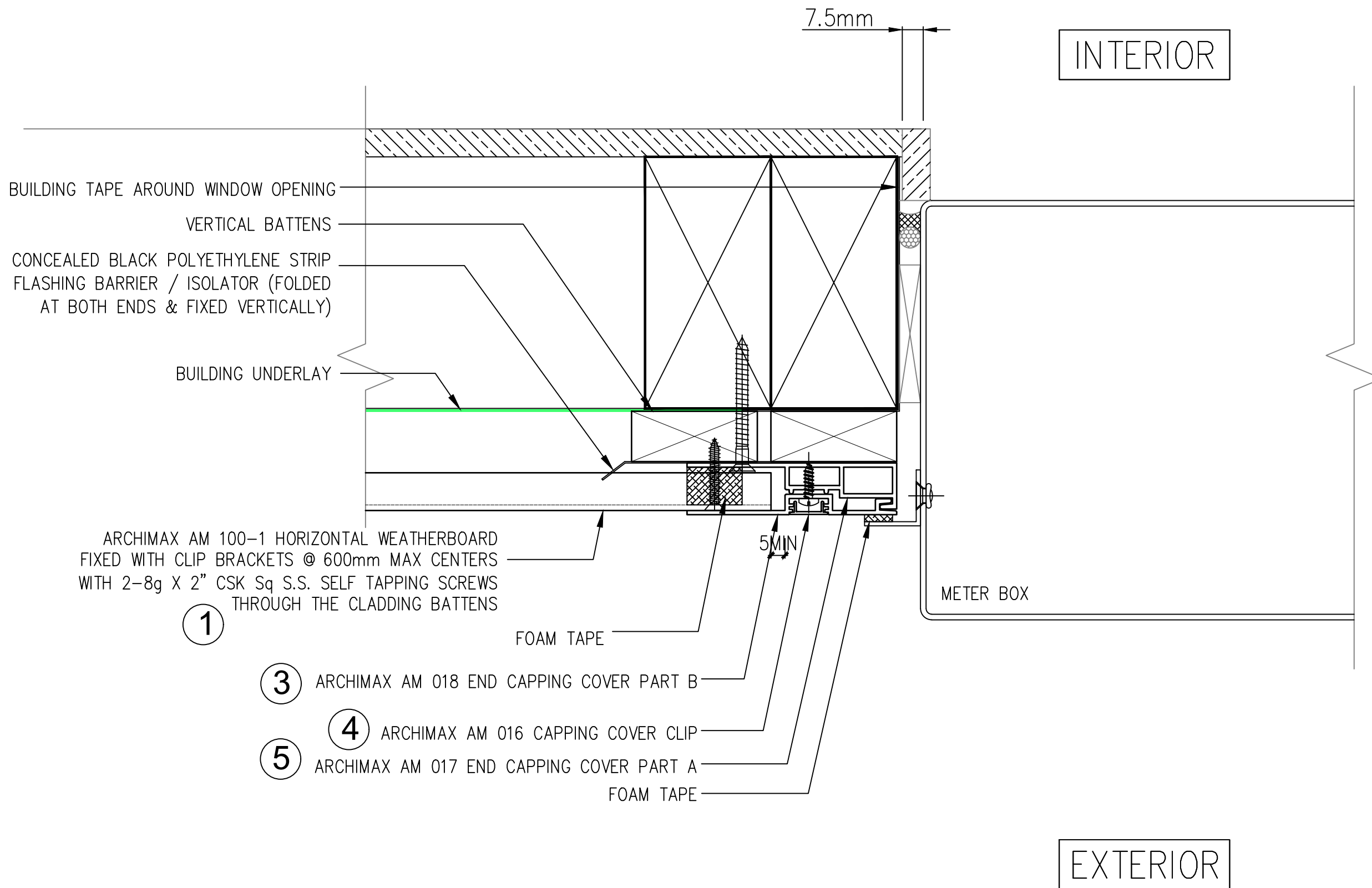
Archimax AM 100-1 - Horizontal Weatherboard

Cavity System

Scale: NTS

D14

Rev : 06



ARCHIMAX AM 100-1 HORIZONTAL WEATHERBOARD
 FIXED WITH CLIP BRACKETS @ 600mm MAX CENTERS
 WITH 2-8g X 2" CSK Sq S.S. SELF TAPPING SCREWS
 THROUGH THE CLADDING BATTENS

①

FOAM TAPE

③ ARCHIMAX AM 018 END CAPPING COVER PART B

④ ARCHIMAX AM 016 CAPPING COVER CLIP

⑤ ARCHIMAX AM 017 END CAPPING COVER PART A

FOAM TAPE



Archimax Limited

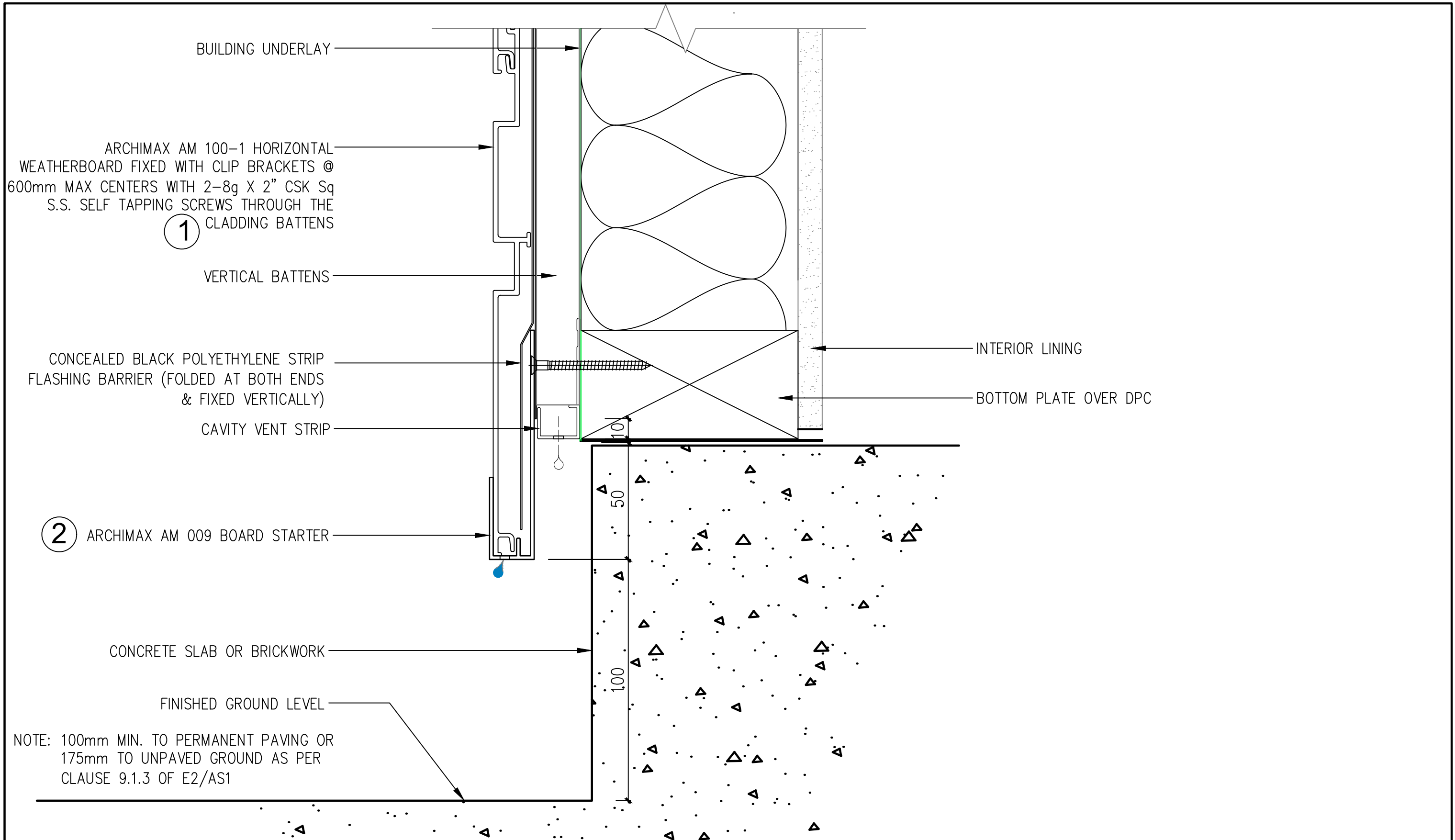
16 Ha Crescent, Wiri 2104 New Zealand
 www.archimax.co.nz
 @ ARCHIMAX CLADDING - All Rights Reserved

Meter Box Jamb
 Archimax AM 100-1 - Horizontal Weatherboard

Cavity System
 Scale: NTS

D15

Rev : 06



ARCHIMAX CLADDING

Archimax Limited

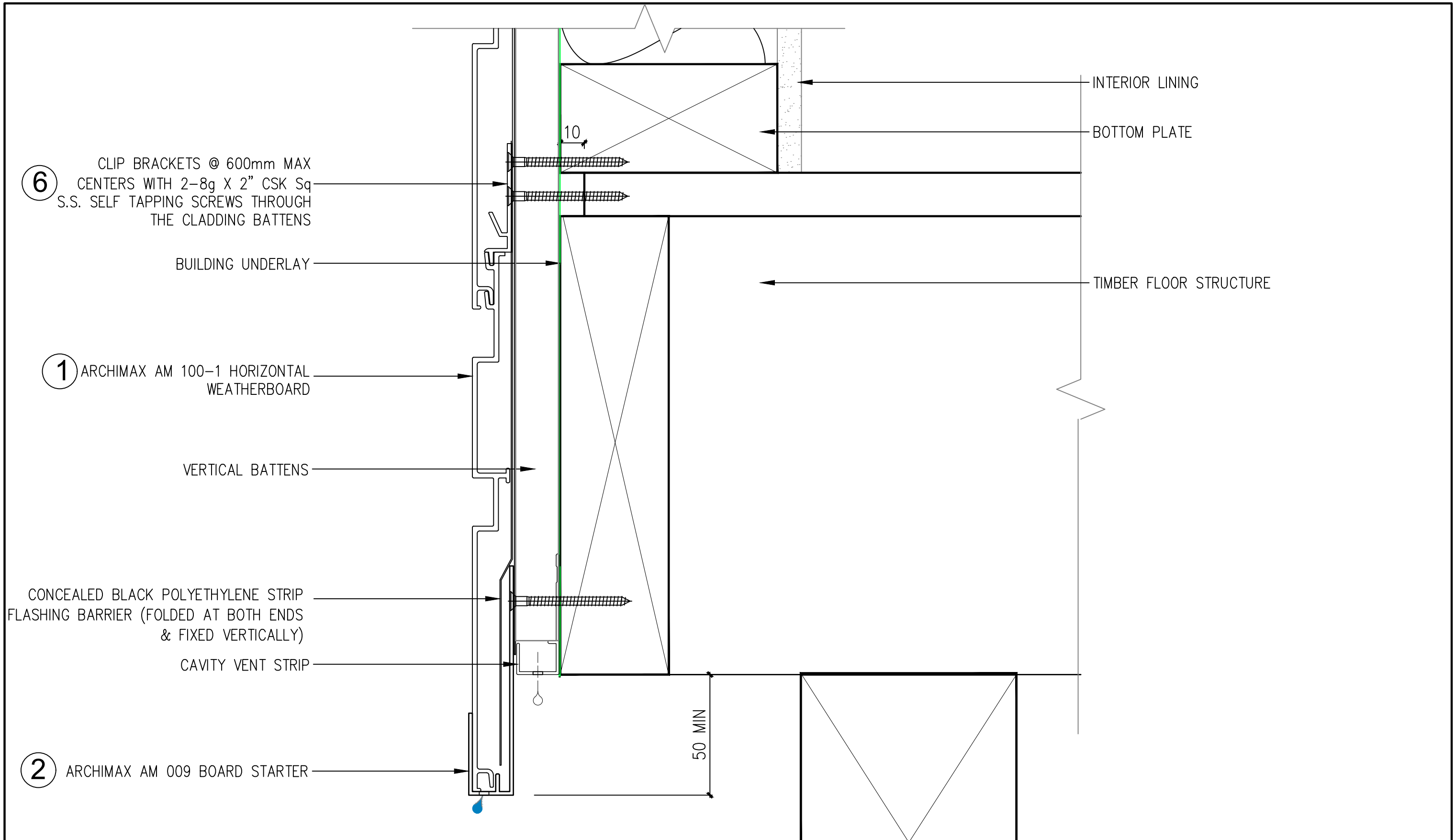
16 Ha Crescent, Wiri 2104 New Zealand
 www.archimax.co.nz
 @ ARCHIMAX CLADDING - All Rights Reserved

Concrete Floor Board Starter
 Archimax AM 100-1 - Horizontal Weatherboard

Cavity System
 Scale: NTS

D16

Rev : 06



ARCHIMAX CLADDING

Archimax Limited

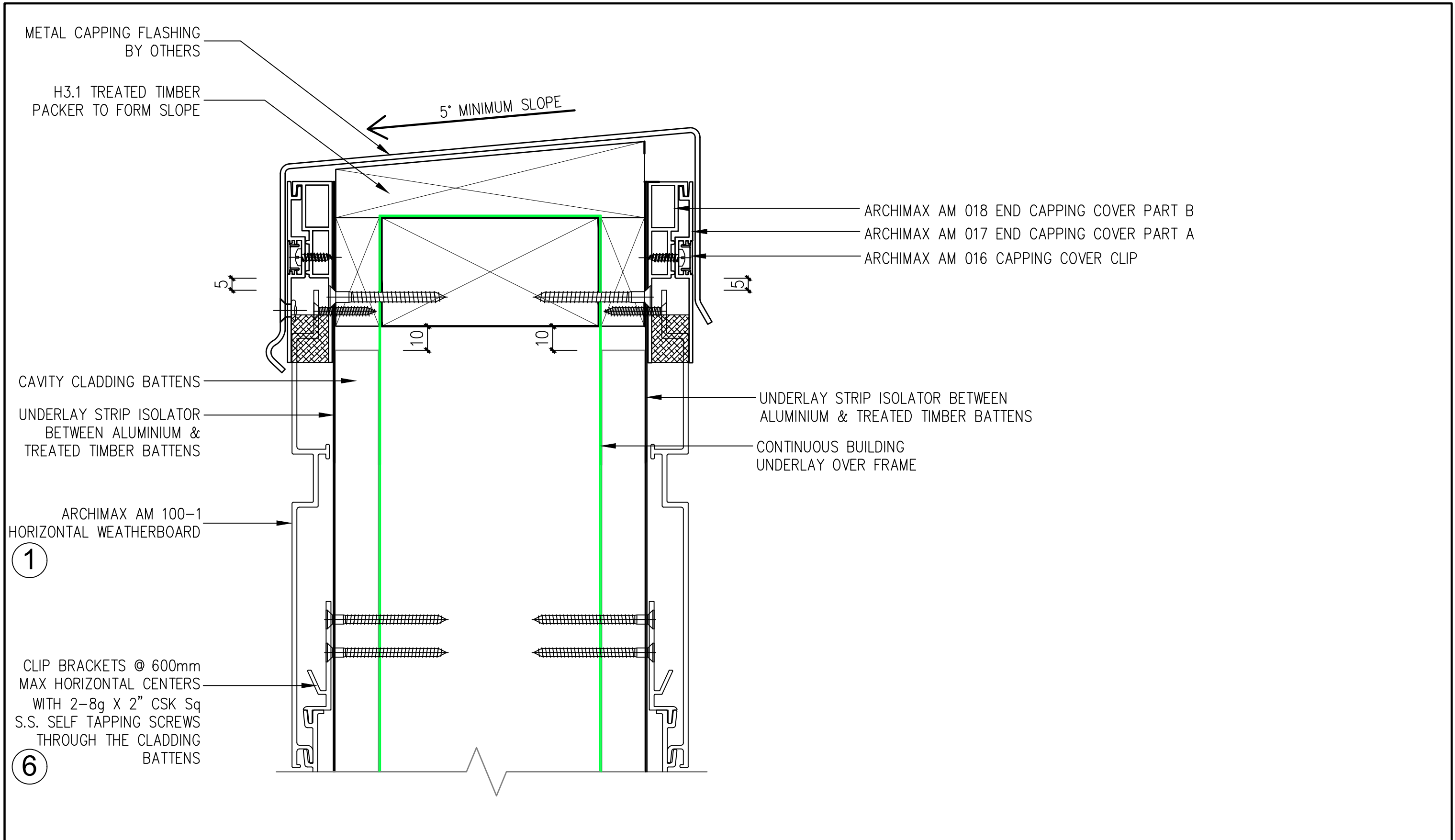
16 Ha Crescent, Wiri 2104 New Zealand
 www.archimax.co.nz
 @ ARCHIMAX CLADDING - All Rights Reserved

Parapet
 Archimax AM 100-1 - Horizontal Weatherboard

Cavity System
 Scale: NTS

D17

Rev : 06



Archimax Limited

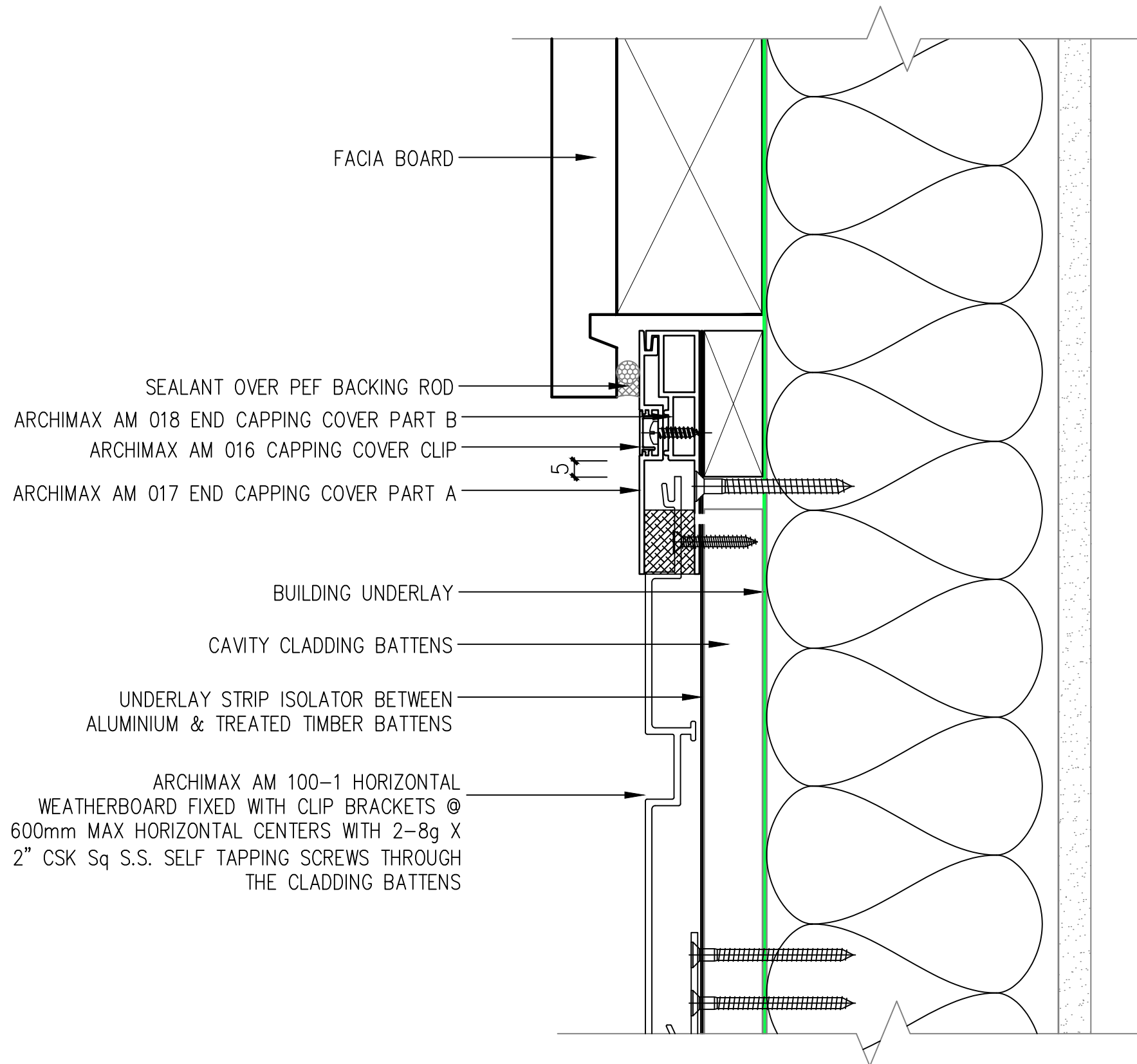
16 Ha Crescent, Wiri 2104 New Zealand
 www.archimax.co.nz
 @ ARCHIMAX CLADDING - All Rights Reserved

Parapet on Cavity
 Archimax AM 100-1 - Horizontal Weatherboard

Cavity System
 Scale: NTS

D18

Rev : 06



SEALANT OVER PEF BACKING ROD
 ARCHIMAX AM 018 END CAPPING COVER PART B
 ARCHIMAX AM 016 CAPPING COVER CLIP
 ARCHIMAX AM 017 END CAPPING COVER PART A

BUILDING UNDERLAY
 CAVITY CLADDING BATTENS
 UNDERLAY STRIP ISOLATOR BETWEEN
 ALUMINIUM & TREATED TIMBER BATTENS

① ARCHIMAX AM 100-1 HORIZONTAL
 WEATHERBOARD FIXED WITH CLIP BRACKETS @
 600mm MAX HORIZONTAL CENTERS WITH 2-8g X
 2" CSK Sg S.S. SELF TAPPING SCREWS THROUGH
 THE CLADDING BATTENS



Archimax Limited
 16 Ha Crescent, Wiri 2104 New Zealand
 www.archimax.co.nz
 @ ARCHIMAX CLADDING - All Rights Reserved

Non-Soffit
 Archimax AM 100-1 - Horizontal Weatherboard
 Cavity System
 Scale: NTS

D19
 Rev : 06

1 ARCHIMAX AM 100-1 HORIZONTAL WEATHERBOARD FIXED WITH CLIP BRACKETS @ 600mm MAX HORIZONTAL CENTERS WITH 2-8g X 2" CSK Sq S.S. SELF TAPPING SCREWS THROUGH THE CLADDING BATTENS

CAVITY CLADDING BATTENS

UNDERLAY STRIP ISOLATOR BETWEEN ALUMINIUM & TREATED TIMBER BATTENS

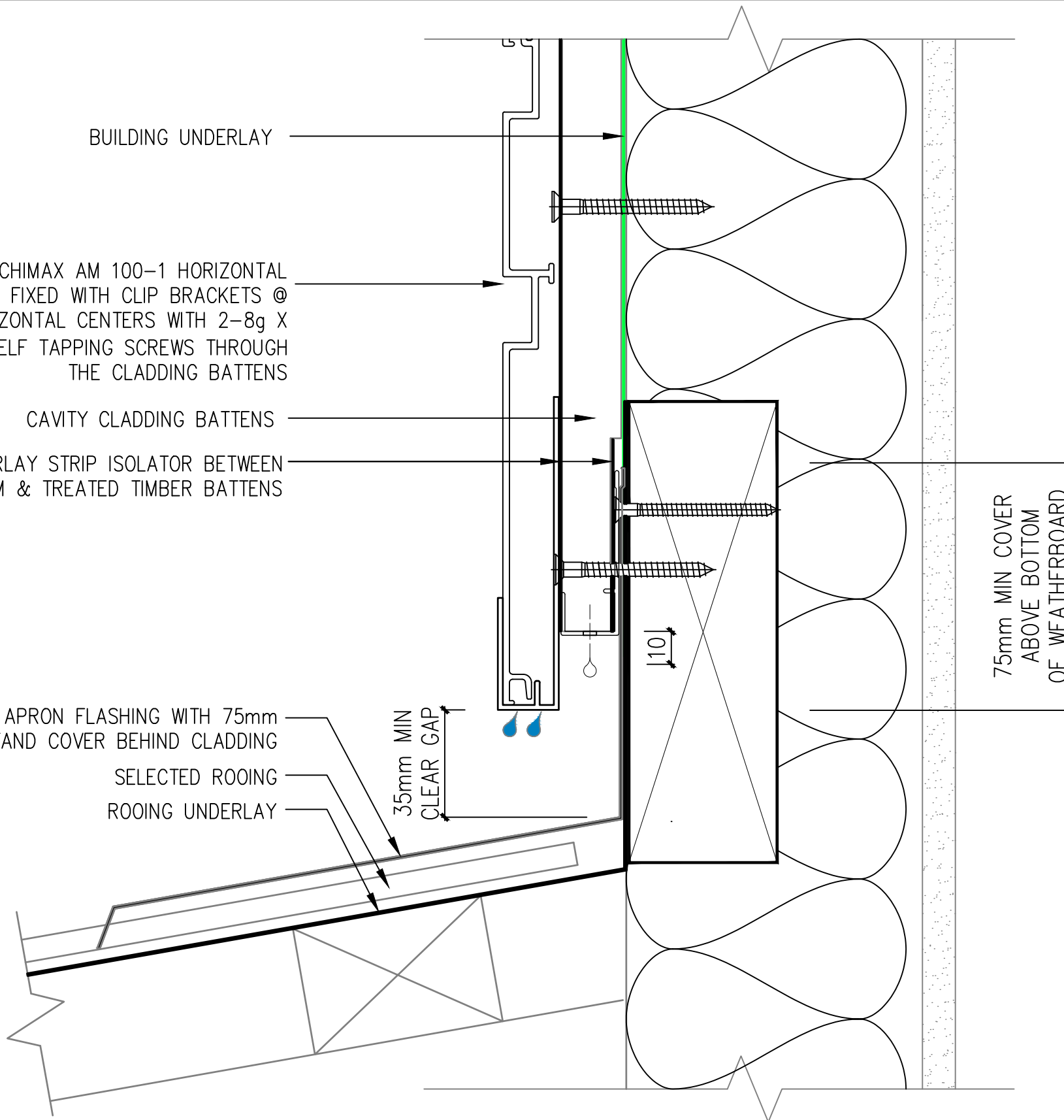
APRON FLASHING WITH 75mm UPSTAND COVER BEHIND CLADDING

SELECTED ROOING
ROOING UNDERLAY

35mm MIN CLEAR GAP

110

75mm MIN COVER ABOVE BOTTOM OF WEATHERBOARD



ARCHIMAX CLADDING

Archimax Limited

16 Ha Crescent, Wiri 2104 New Zealand

www.archimax.co.nz

@ ARCHIMAX CLADDING - All Rights Reserved

Roof-Wall Junction

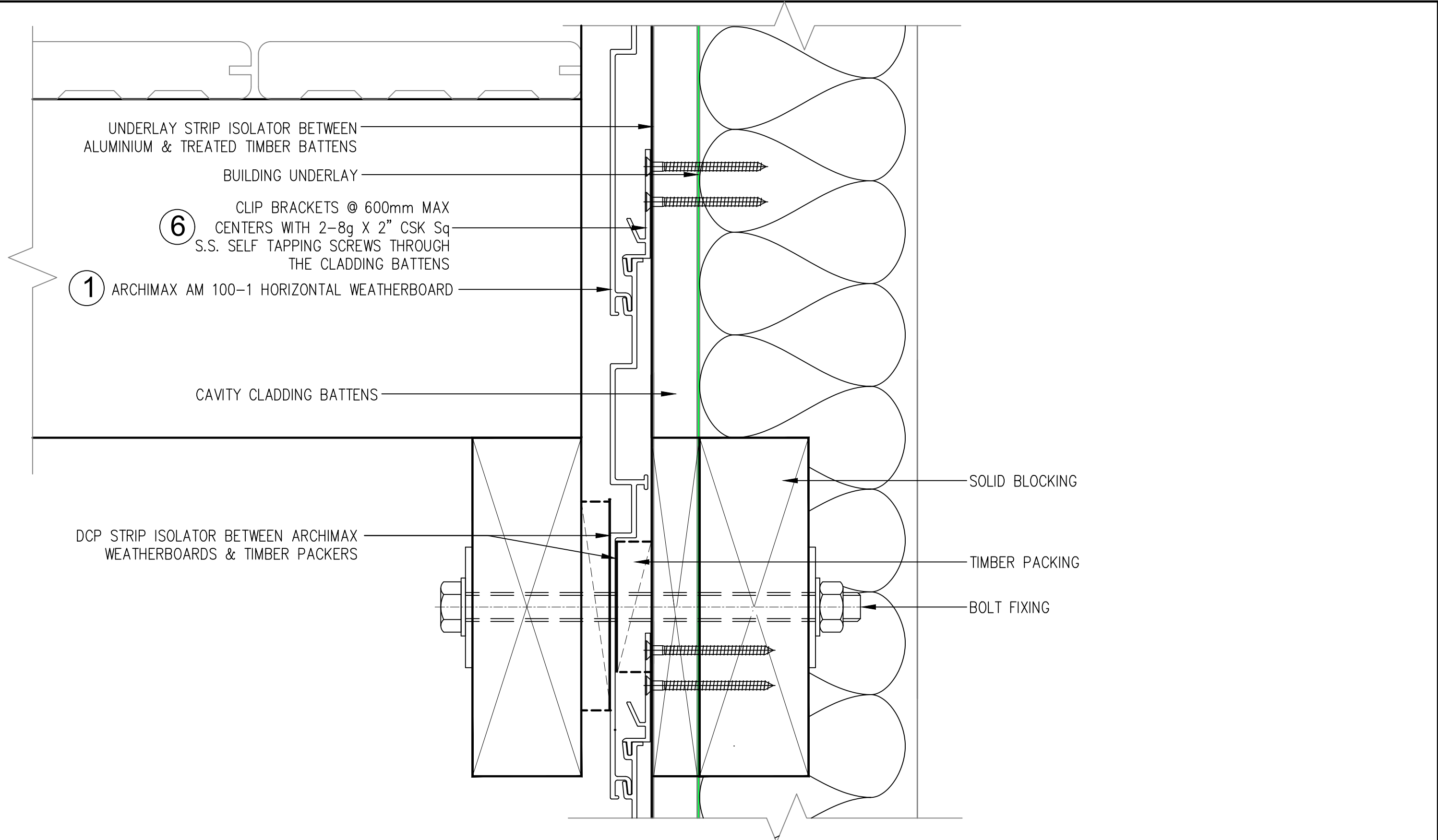
Archimax AM 100-1 - Horizontal Weatherboard

Cavity System

Scale: NTS

D20

Rev : 06



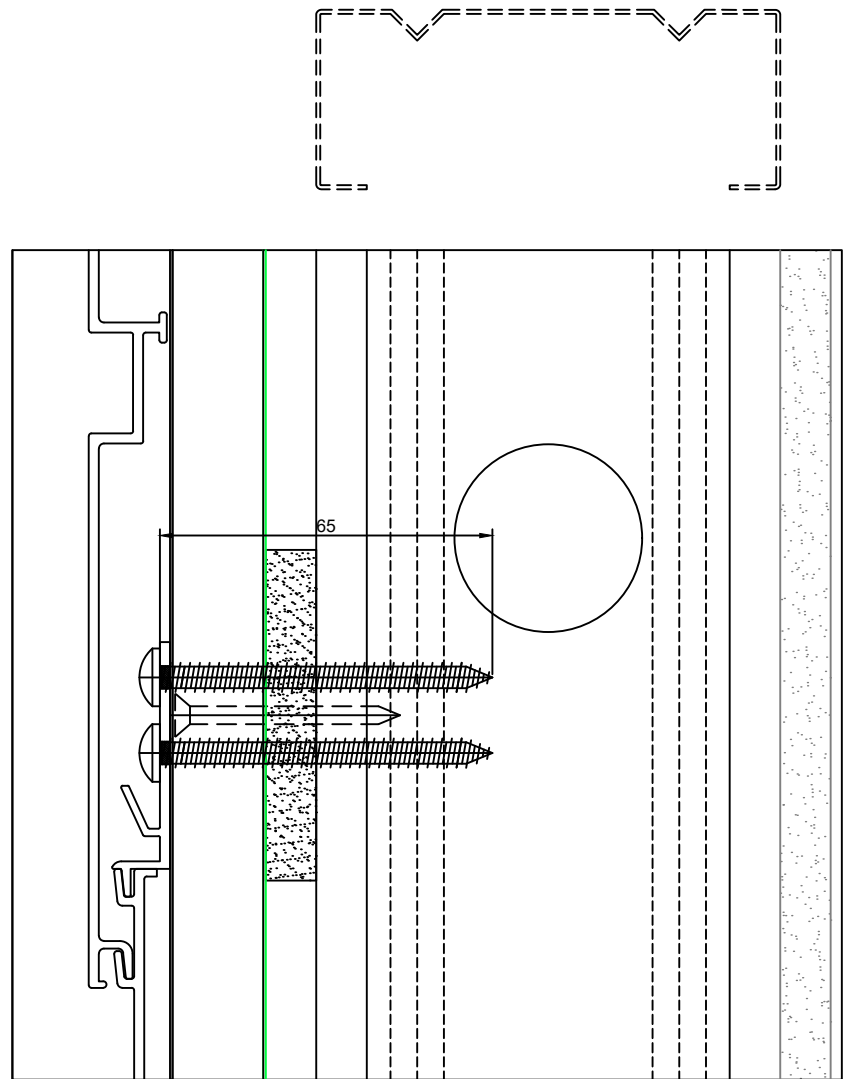
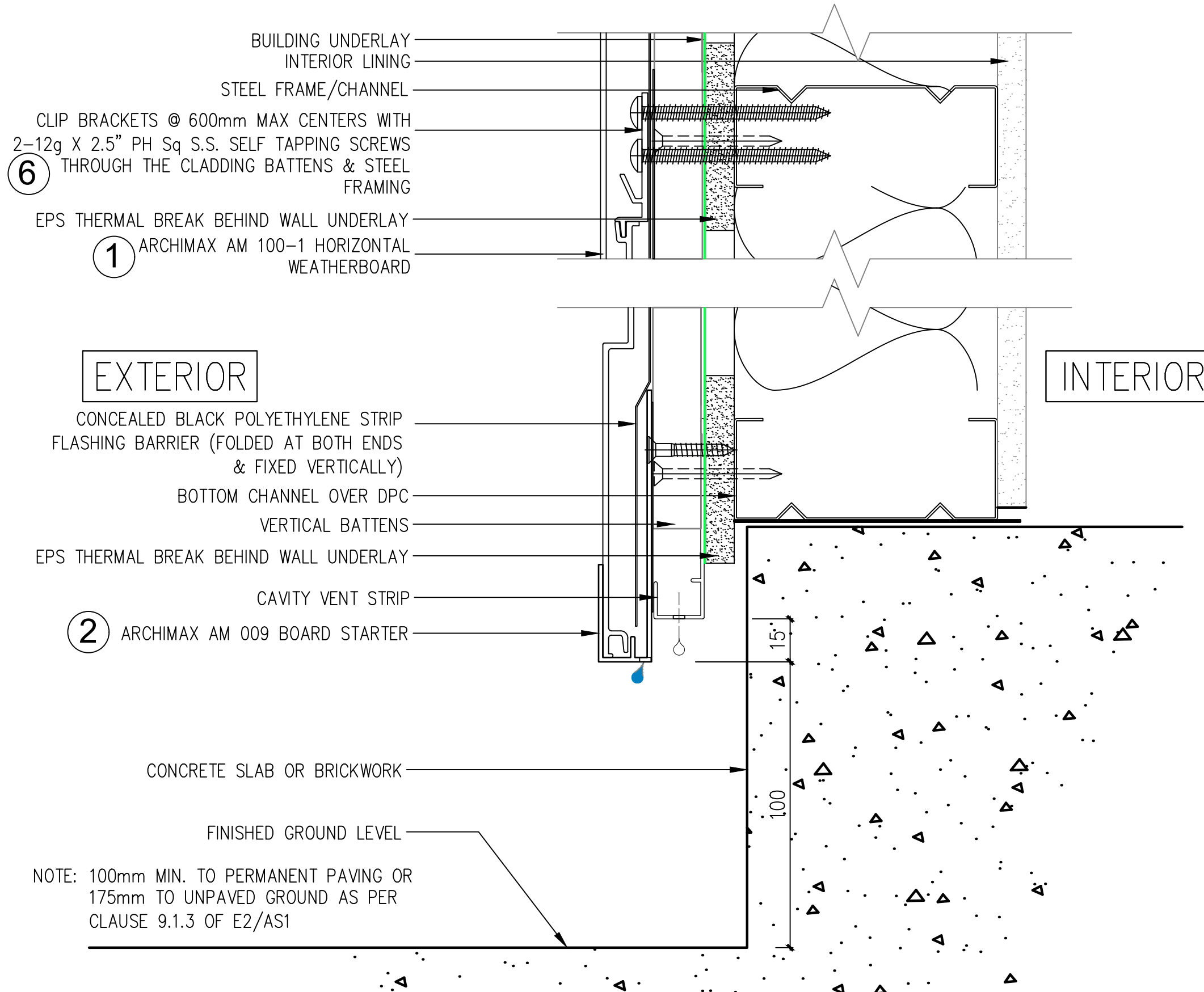
Archimax Limited
 16 Ha Crescent, Wiri 2104 New Zealand
www.archimax.co.nz
 @ ARCHIMAX CLADDING - All Rights Reserved

Deck Junction
 Archimax AM 100-1 - Horizontal Weatherboard

Cavity System
 Scale: NTS

D21

Rev : 06



NOTE:

- WIND ZONES AND/OR APPLIED PRESSURES (STEEL FRAMING):
EXTRA HIGH - STUDS/NOGS @ 400mm CENTERS
VERY HIGH - STUDS/NOGS @ 600mm CENTERS



Archimax Limited
16 Ha Crescent, Wiri 2104 New Zealand
www.archimax.co.nz
@ ARCHIMAX CLADDING - All Rights Reserved

Steel Stud/Nogs Details
Archimax AM 100-1 - Horizontal Weatherboard
Cavity System
Scale: NTS

D22
Rev : 06