

AM 100-1 - Vertical Weatherboard (DETAILS)

- VW01 - ELEVATION / SECTIONS
- VW02 - PLANS
- D01 - WINDOW HEAD DETAIL
- D02 - WINDOW SILL DETAIL
- D03 - WINDOW JAMB DETAIL
- D04 - INTERNAL CORNER DETAIL
- D05 - EXTERNAL CORNER DETAIL
- D06 - HORIZONTAL JOINT / INTER-STOREY JUNCTION DETAIL
- D07 - BALUSTRADE TOP DETAIL
- D08 - BALUSTRADE JUNCTION DETAIL
- D09 - SOFFIT DETAIL
- D10 - BOTTOM DETAIL
- D11 - PIPE PENETRATION DETAIL
- D12 - METER BOX HEAD DETAIL
- D13 - METER BOX SILL DETAIL
- D14 - METER BOX JAMB DETAIL
- D15 - CONCRETE FLOOR BOARD STARTER DETAIL
- D16 - PARAPET DETAIL
- D17 - PARAPET ON CAVITY DETAIL
- D18 - NON-SOFFIT DETAIL
- D19 - ROOF WALL JUNCTION DETAIL
- D20 - DECK JUNCTION DETAIL
- D21 - STEEL STUD/NOGS DETAIL
- D22 - PARTS PROFILE



ARCHIMAX CLADDING

Archimax Limited

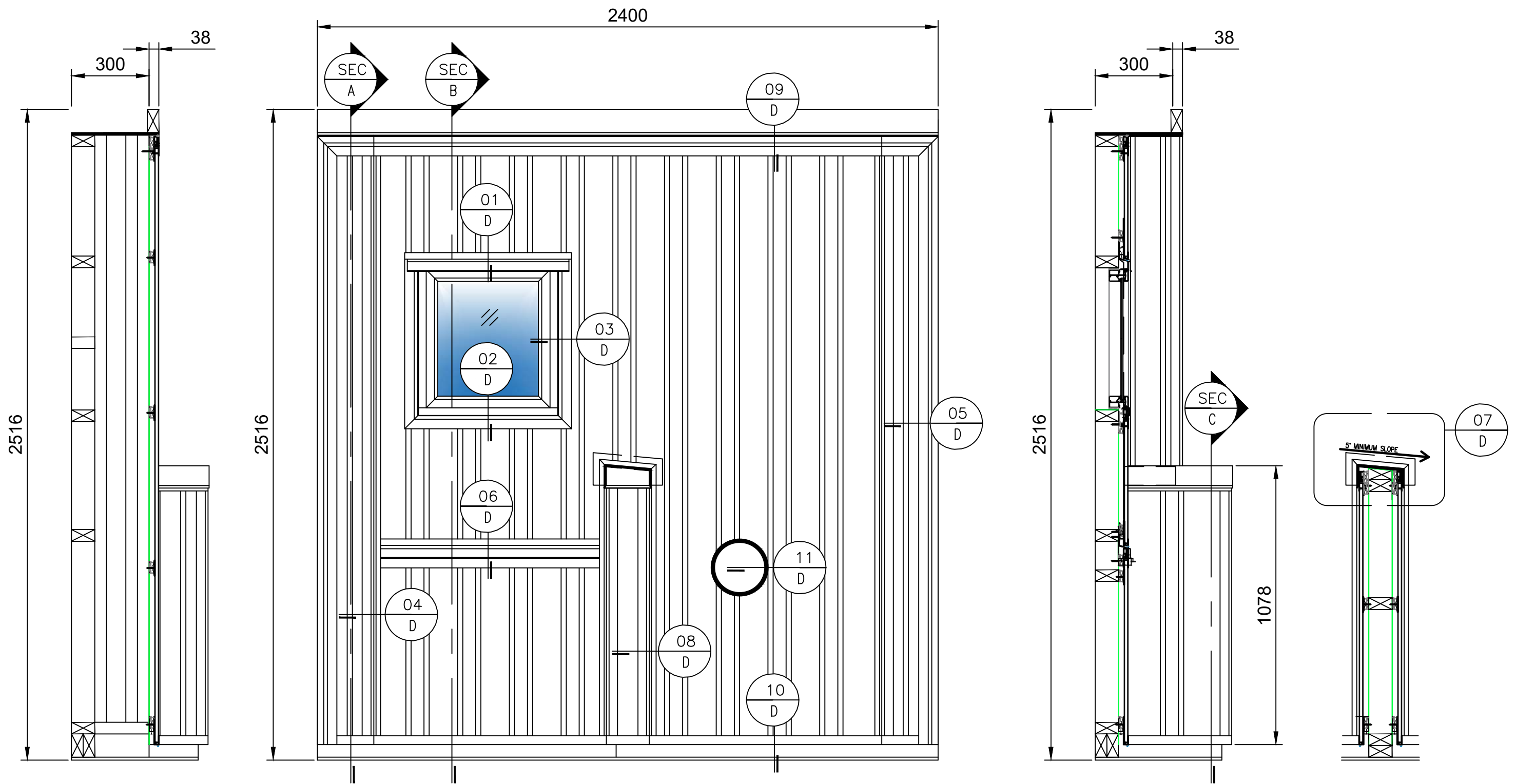
16 Ha Crescent, Wiri 2104 New Zealand
www.archimax.co.nz
@ ARCHIMAX CLADDING - All Rights Reserved

Archimax AM 100-1 - Vertical Weatherboard

Cavity System
Scale: NTS

VW00

Rev : 06



SECTION A

ELEVATION

SECTION B

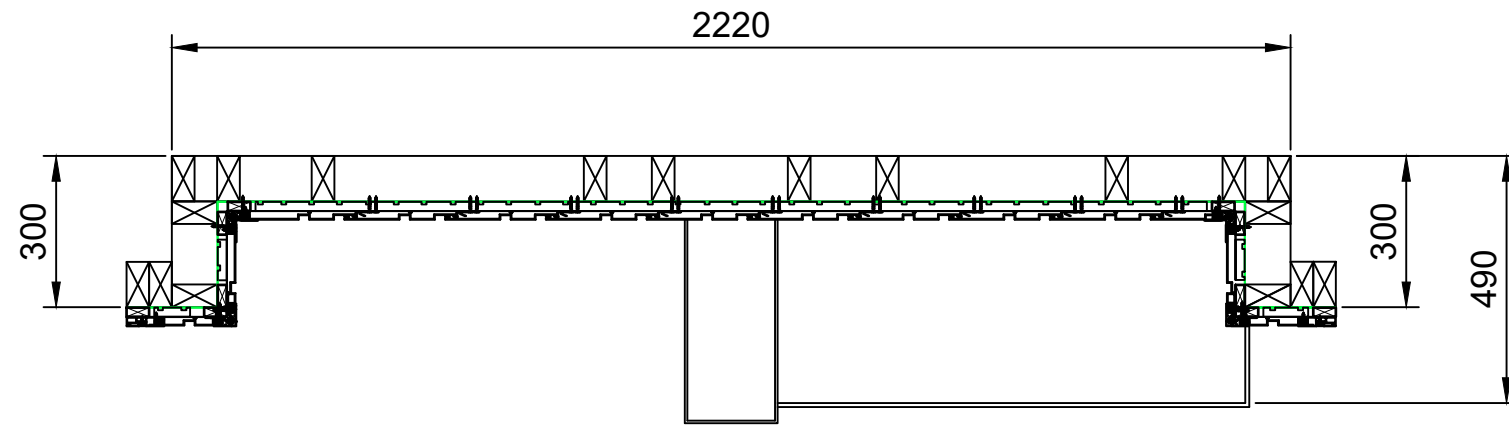
SECTION C



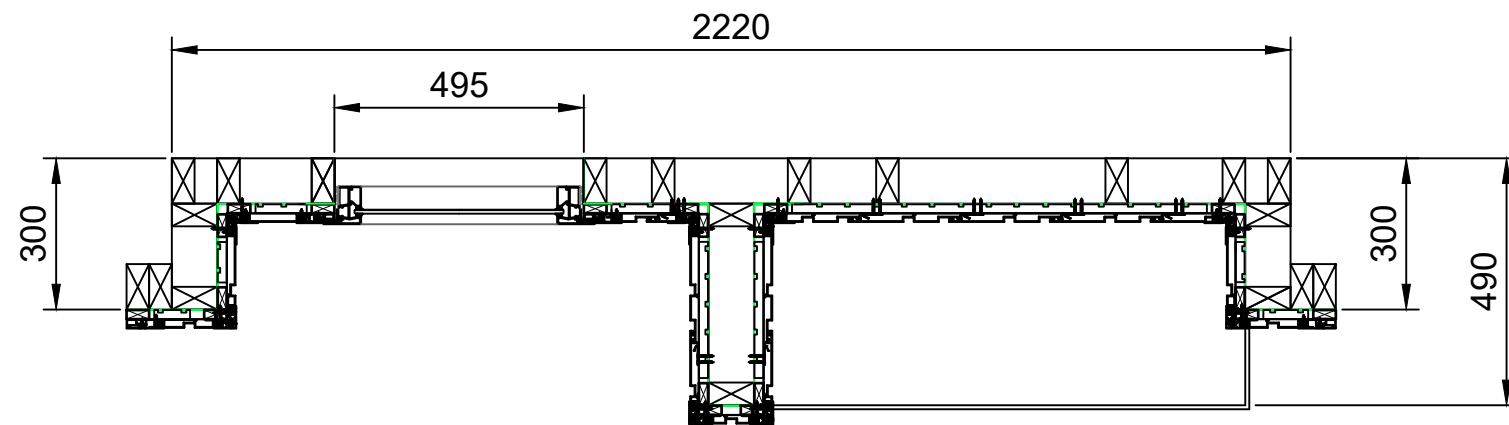
Archimax Limited
 16 Ha Crescent, Wiri 2104 New Zealand
www.archimax.co.nz
 @ ARCHIMAX CLADDING - All Rights Reserved

Elevation / Sections
 Archimax AM 100 -2 - Vertical Weatherboard
 Cavity System
 Scale: NTS

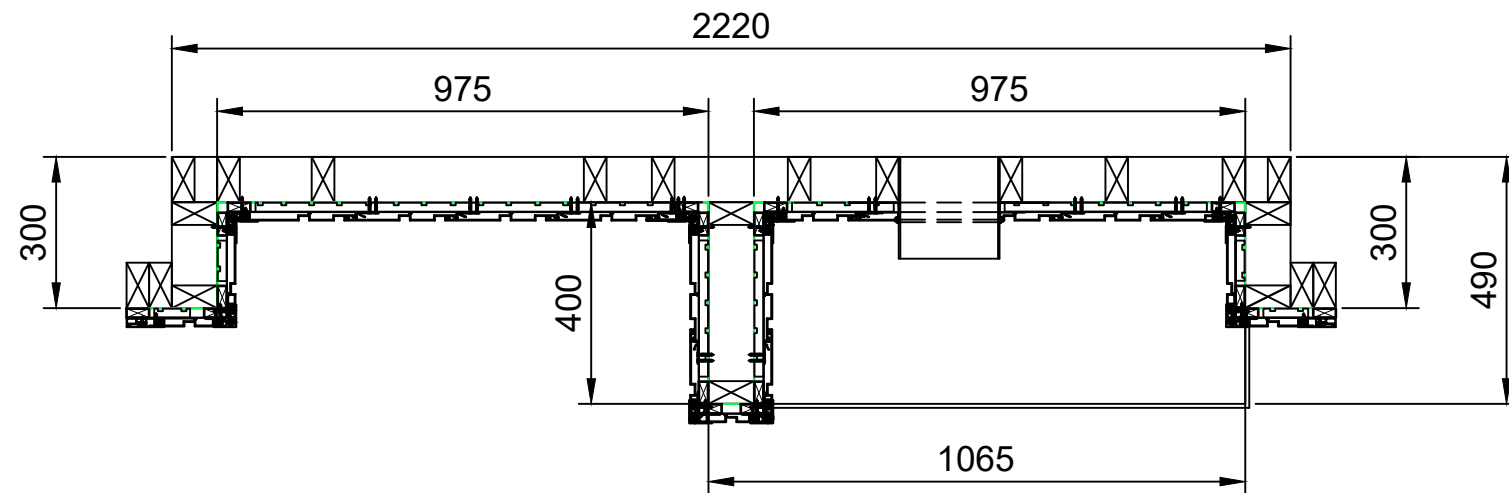
VW01
 Rev : 06



PLAN (TOP)



PLAN (@ WINDOW)



PLAN (BOTTOM)

NOTE:

- MAXIMUM NOG/STUD & BATTEN SPACING @ 600mm CENTERS (AS PER NZS 3604 FOR STRUCTURE AND E2/AS1 FOR ROOF & WALL CLADDING)
- CAVITY BATTENS FIXED TO STUD/NOGS @ 600mm CENTERS
- WIND ZONES AND/OR APPLIED PRESSURES:
EXTRA HIGH – STUDS/NOGS @ 400mm CENTERS (STEEL)
VERY HIGH – STUDS/NOGS @ 600mm CENTERS
- CAVITY BATTENS MAY REQUIRE MACHINING, PACKER/SHIMS TO ENSURE BOARDS ARE FITTED FLAT WITHOUT DISTORSION
- UNDERLAY ISOLATOR STRIPS REQUIRED BETWEEN BATTENS & ALUMINIUM CLADDING (ONLY IF TREATED TIMBER IS USED AS BATTENS)
- CAVITY CLOSERS REQUIRED. DRAINED & VENTED CAVITY AS PER NZBC E2/AS1



ARCHIMAX CLADDING

Archimax Limited

16 Ha Crescent, Wiri 2104 New Zealand

www.archimax.co.nz

@ ARCHIMAX CLADDING - All Rights Reserved

Plans

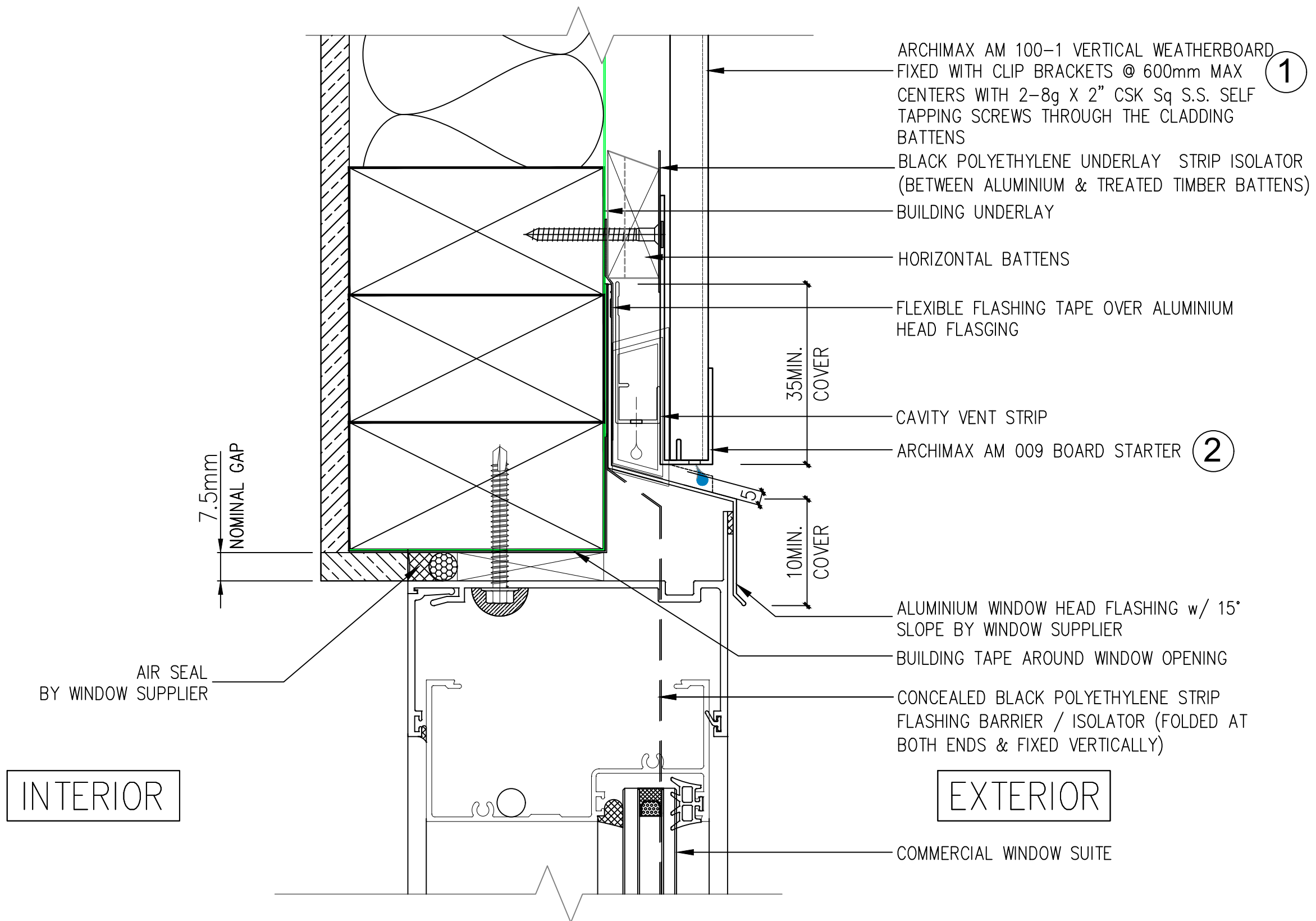
Archimax AM 100-1 - Vertical Weatherboard

Cavity System

Scale: NTS

VW02

Rev : 06



ARCHIMAX CLADDING

Archimax Limited

16 Ha Crescent, Wiri 2104 New Zealand
www.archimax.co.nz
 @ ARCHIMAX CLADDING - All Rights Reserved

Window Head Detail

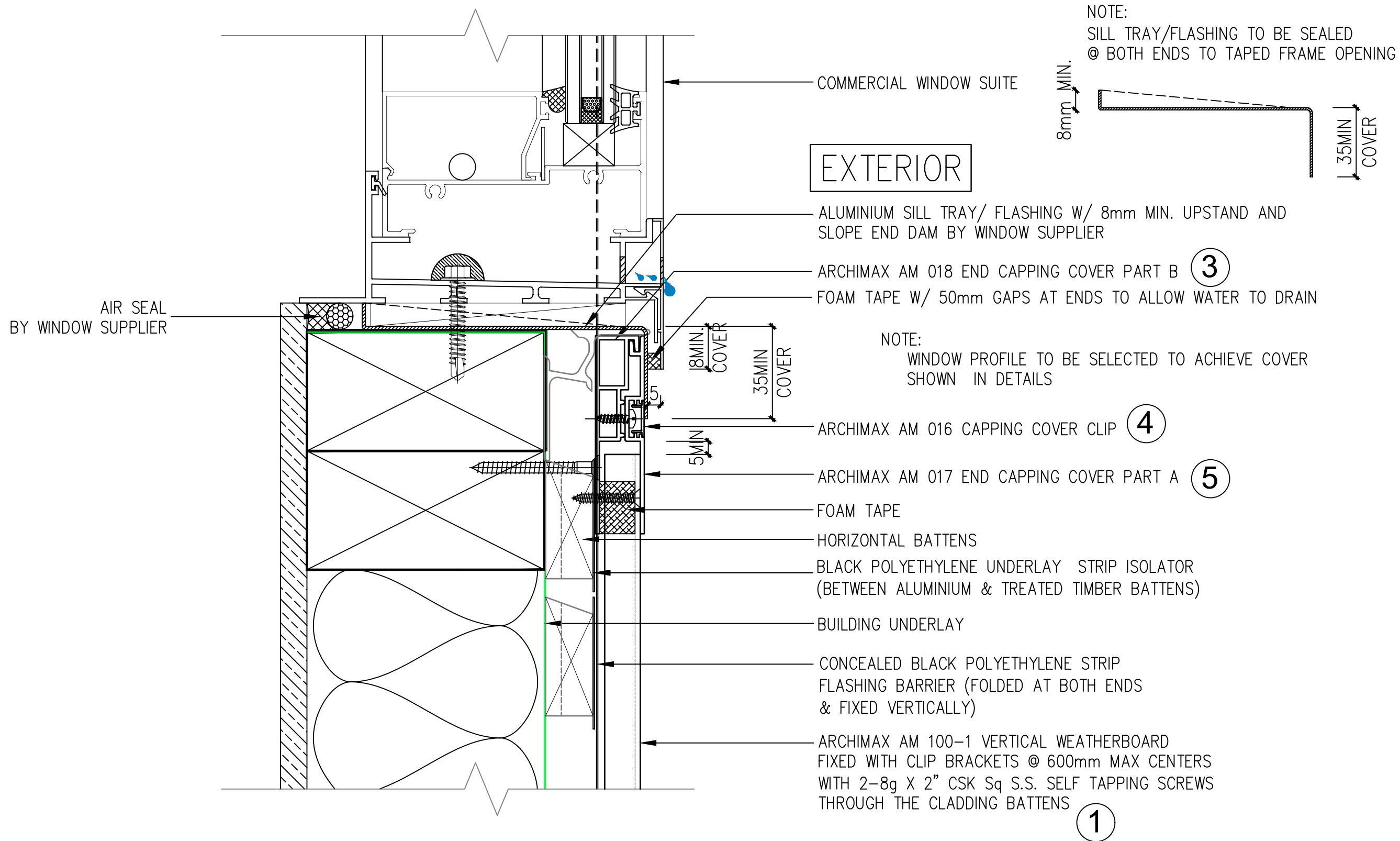
Archimax AM 100-1 - Vertical Weatherboard

Cavity System

Scale: NTS

D01

Rev : 06



ARCHIMAX CLADDING

Archimax Limited

16 Ha Crescent, Wiri 2104 New Zealand
 www.archimax.co.nz
 @ ARCHIMAX CLADDING - All Rights Reserved

Window Sill Detail

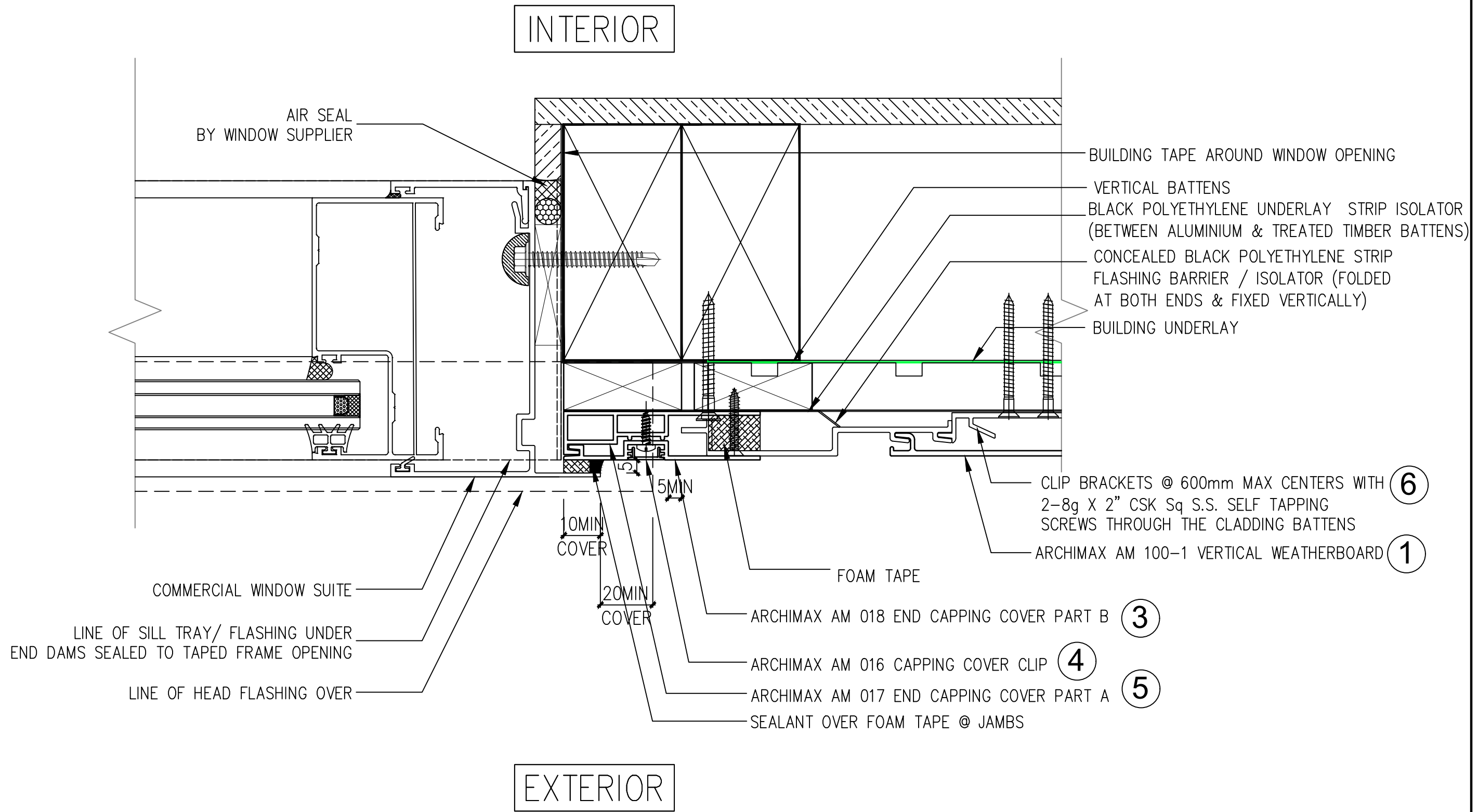
Archimax AM 100-1 - Vertical Weatherboard

Cavity System

Scale: NTS

D02

Rev : 06



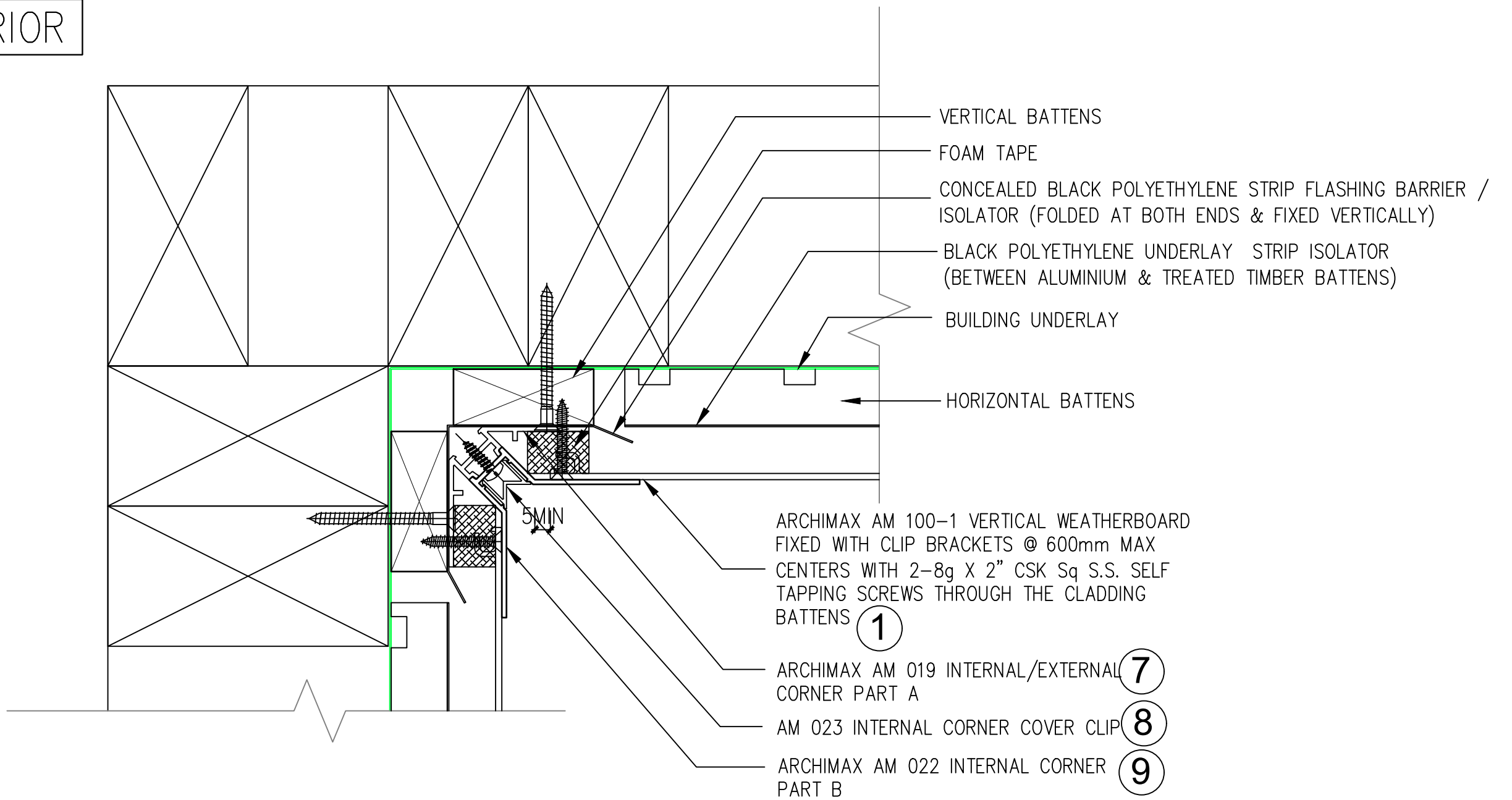
Archimax Limited
 16 Ha Crescent, Wiri 2104 New Zealand
 www.archimax.co.nz
 @ ARCHIMAX CLADDING - All Rights Reserved

Window Jamb Detail
 Archimax AM 100-1 - Vertical Weatherboard
 Cavity System
 Scale: NTS

D03

Rev : 06

INTERIOR



EXTERIOR



ARCHIMAX CLADDING

Archimax Limited

16 Ha Crescent, Wiri 2104 New Zealand

www.archimax.co.nz

@ ARCHIMAX CLADDING - All Rights Reserved

Internal Corner Detail

Archimax AM 100-1 - Vertical Weatherboard

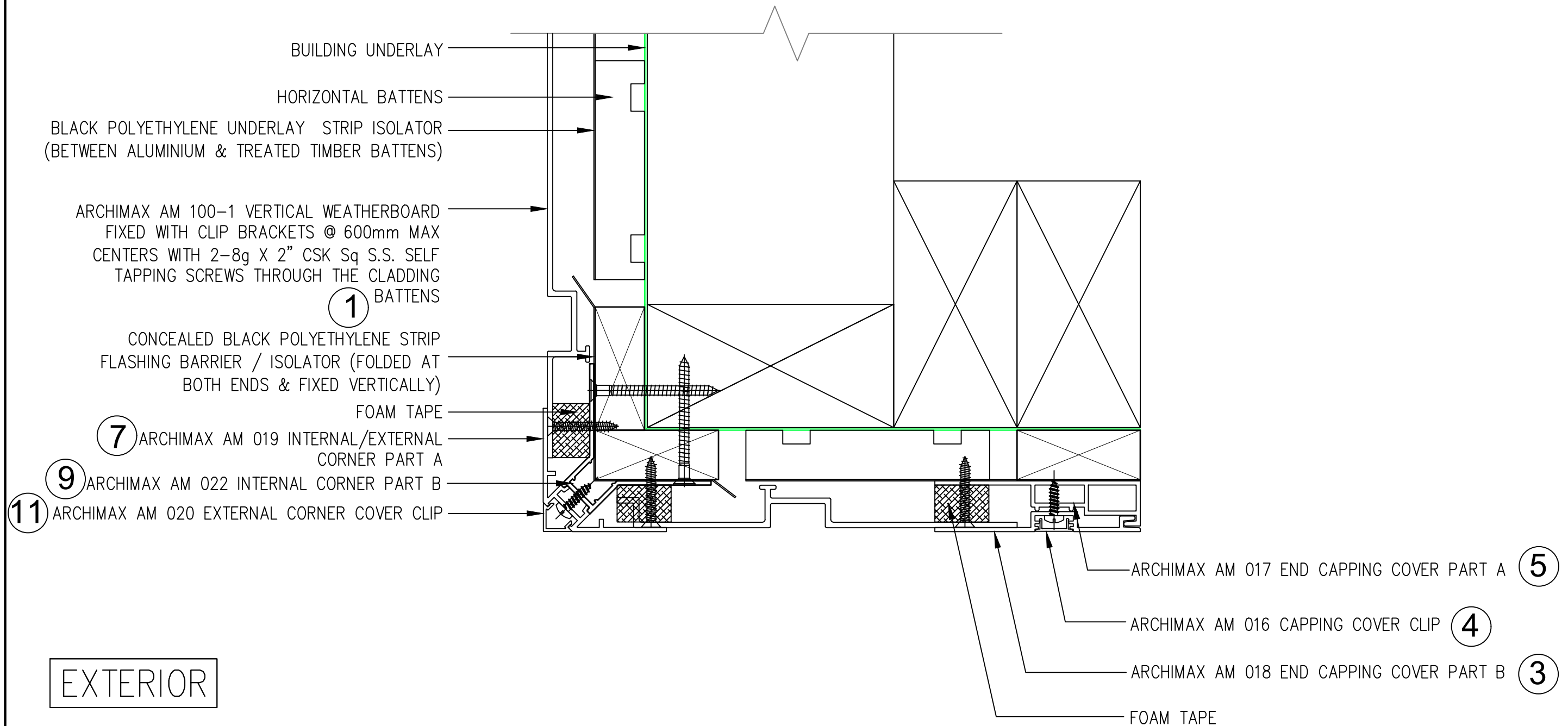
Cavity System

Scale: NTS

D04

Rev : 06

INTERIOR



ARCHIMAX CLADDING

Archimax Limited

16 Ha Crescent, Wiri 2104 New Zealand
www.archimax.co.nz
@ ARCHIMAX CLADDING - All Rights Reserved

External Corner Detail

Archimax AM 100-1 - Vertical Weatherboard

Cavity System

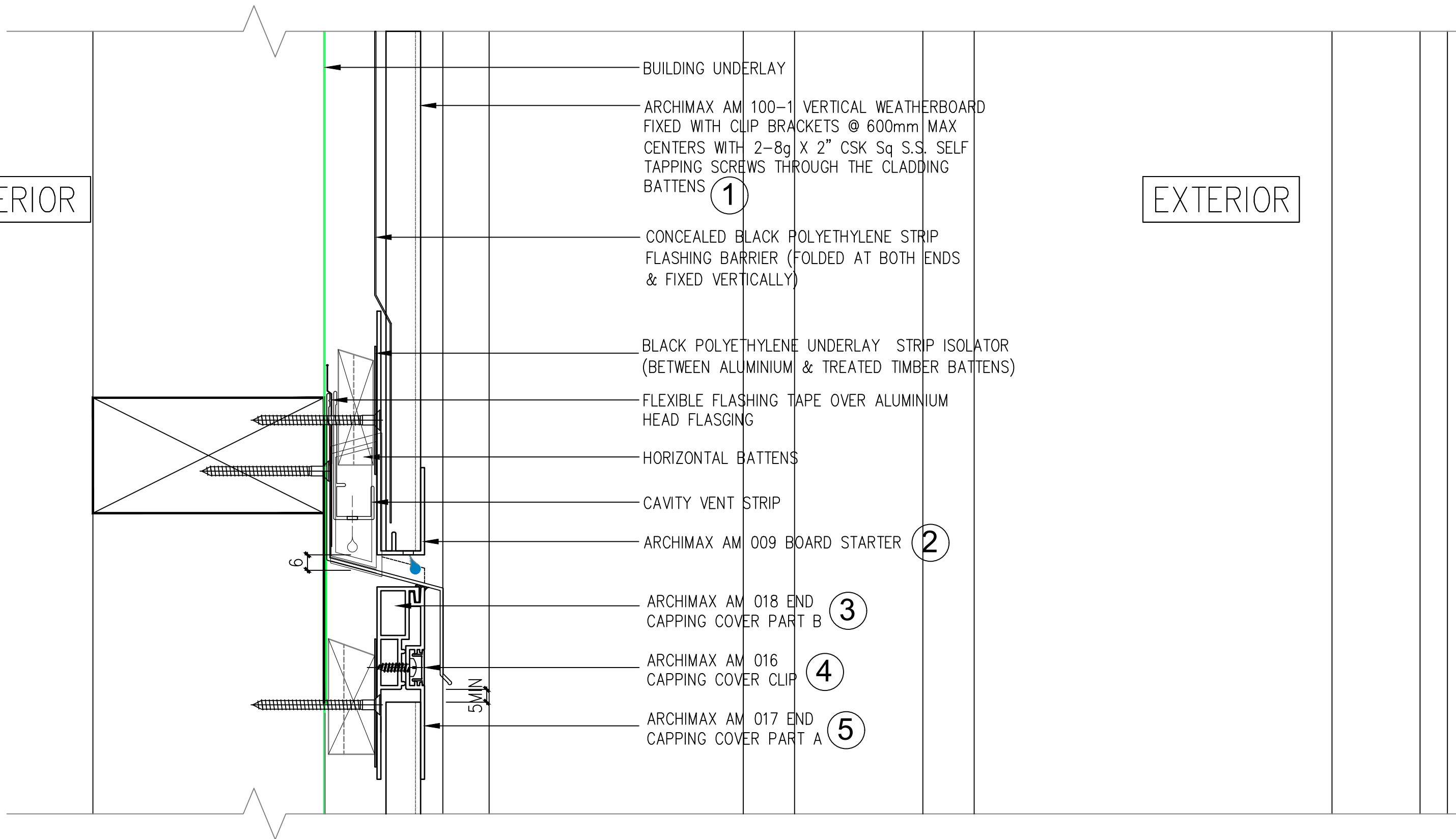
Scale: NTS

D06

Rev : 06

INTERIOR

EXTERIOR



BUILDING UNDERLAY

ARCHIMAX AM 100-1 VERTICAL WEATHERBOARD
FIXED WITH CLIP BRACKETS @ 600mm MAX
CENTERS WITH 2-8g X 2" CSK Sq S.S. SELF
TAPPING SCREWS THROUGH THE CLADDING
BATTENS ①

CONCEALED BLACK POLYETHYLENE STRIP
FLASHING BARRIER (FOLDED AT BOTH ENDS
& FIXED VERTICALLY)

BLACK POLYETHYLENE UNDERLAY STRIP ISOLATOR
(BETWEEN ALUMINIUM & TREATED TIMBER BATTENS)

FLEXIBLE FLASHING TAPE OVER ALUMINIUM
HEAD FLASHING

HORIZONTAL BATTENS

CAVITY VENT STRIP

ARCHIMAX AM 009 BOARD STARTER ②

ARCHIMAX AM 018 END
CAPPING COVER PART B ③

ARCHIMAX AM 016
CAPPING COVER CLIP ④

ARCHIMAX AM 017 END
CAPPING COVER PART A ⑤



Archimax Limited

16 Ha Crescent, Wiri 2104 New Zealand
www.archimax.co.nz
@ ARCHIMAX CLADDING - All Rights Reserved

Horizontal Joint Detail

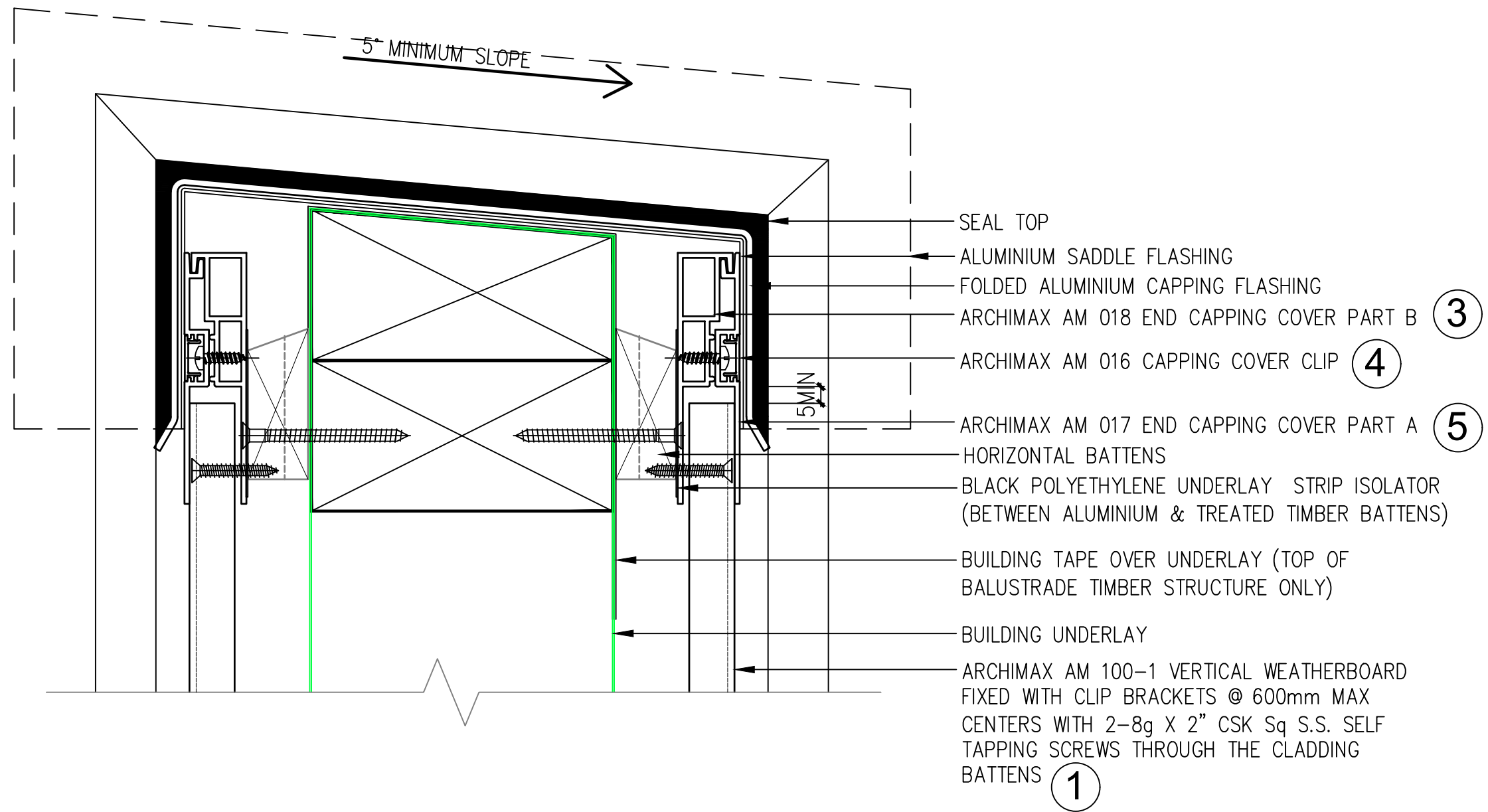
Archimax AM 100-1 - Vertical Weatherboard

Cavity System

Scale: NTS

D06

Rev : 06



ARCHIMAX CLADDING

Archimax Limited

16 Ha Crescent, Wiri 2104 New Zealand
 www.archimax.co.nz
 @ ARCHIMAX CLADDING - All Rights Reserved

Balustrade Detail

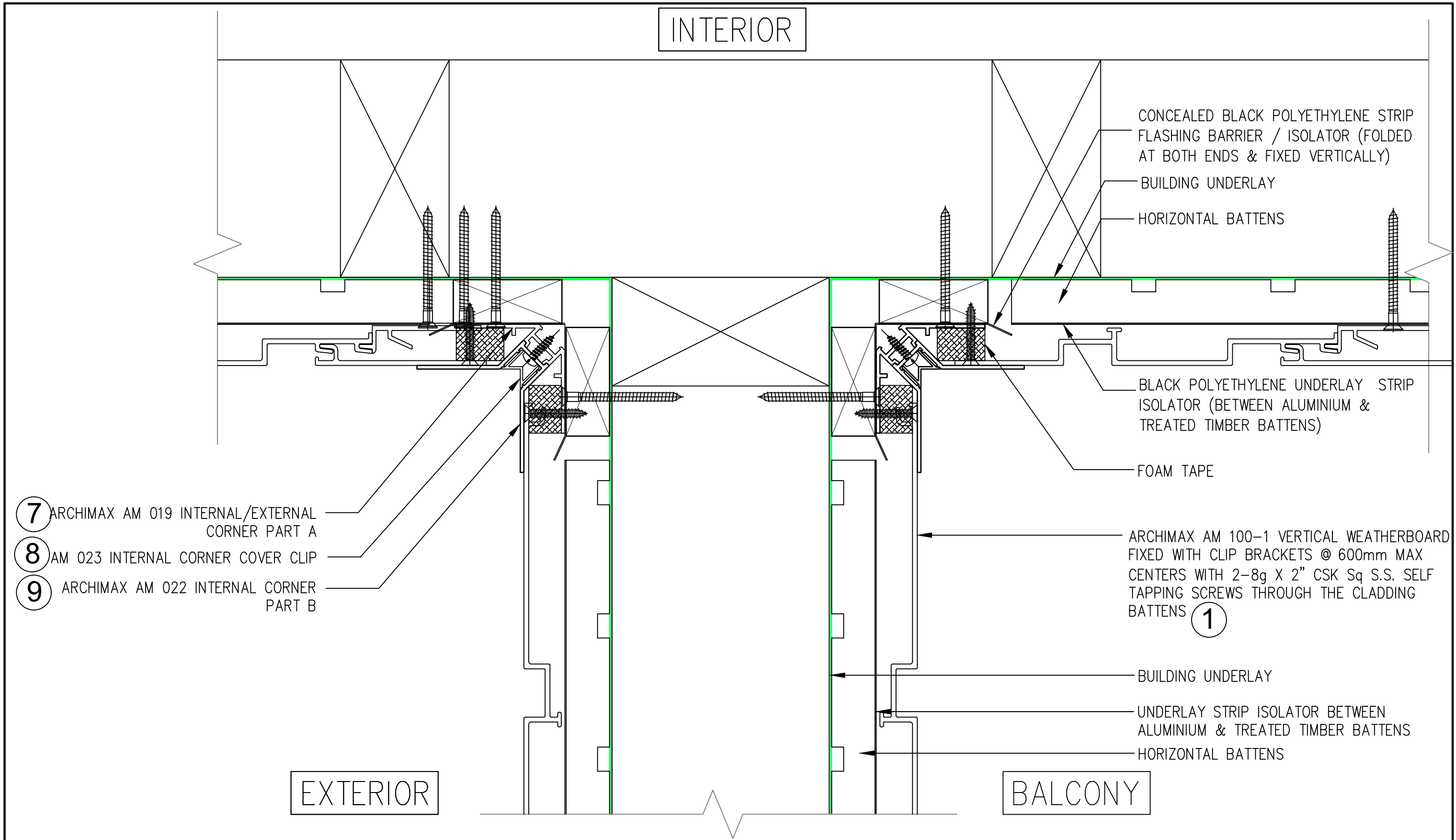
Archimax AM 100-1 - Vertical Weatherboard

Cavity System

Scale: NTS

D07

Rev : 06




Archimax Limited
 16 Ha Crescent, Wiri 2104 New Zealand
www.archimax.co.nz
 @ ARCHIMAX CLADDING - All Rights Reserved

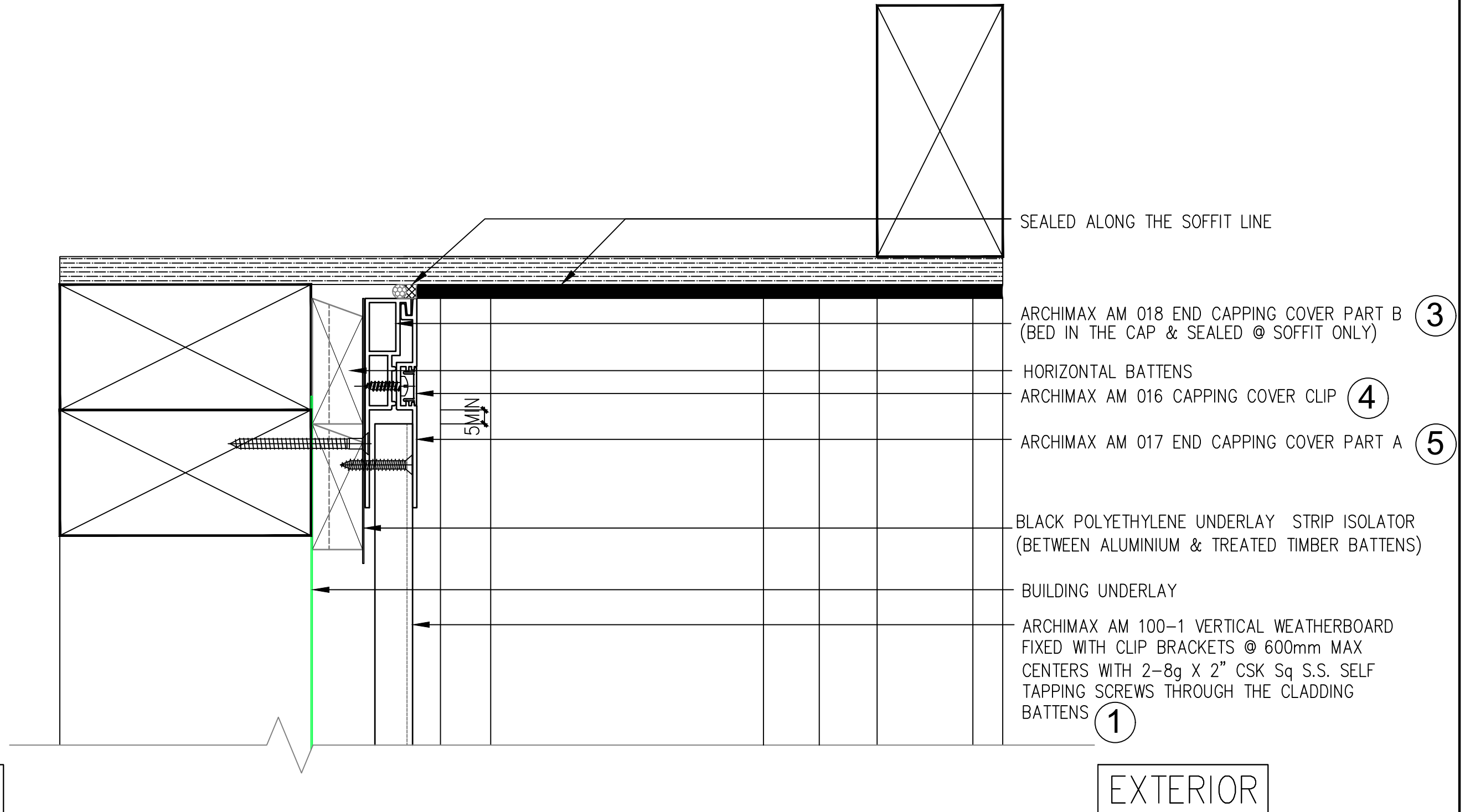
ARCHIMAX CLADDING

Balustrade Junction Detail
 Archimax AM 100-1 - Vertical Weatherboard

Cavity System
 Scale: NTS

D08

Rev : 06



Archimax Limited

16 Ha Crescent, Wiri 2104 New Zealand
 www.archimax.co.nz
 @ ARCHIMAX CLADDING - All Rights Reserved

Soffit Detail

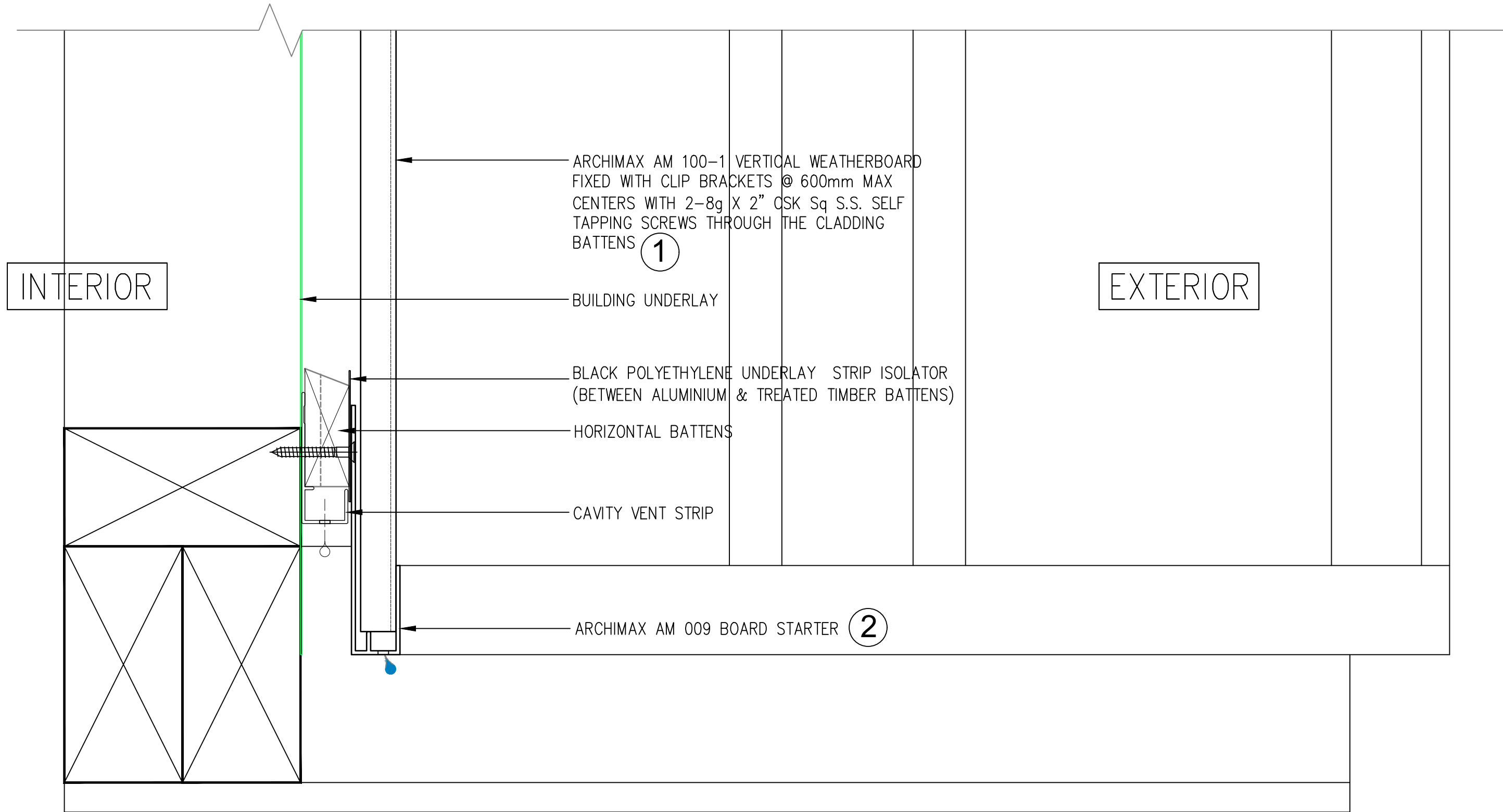
Archimax AM 100-1 - Vertical Weatherboard

Cavity System

Scale: NTS

D09

Rev : 06



ARCHIMAX CLADDING

Archimax Limited

16 Ha Crescent, Wiri 2104 New Zealand
www.archimax.co.nz
 @ ARCHIMAX CLADDING - All Rights Reserved

Bottom Detail

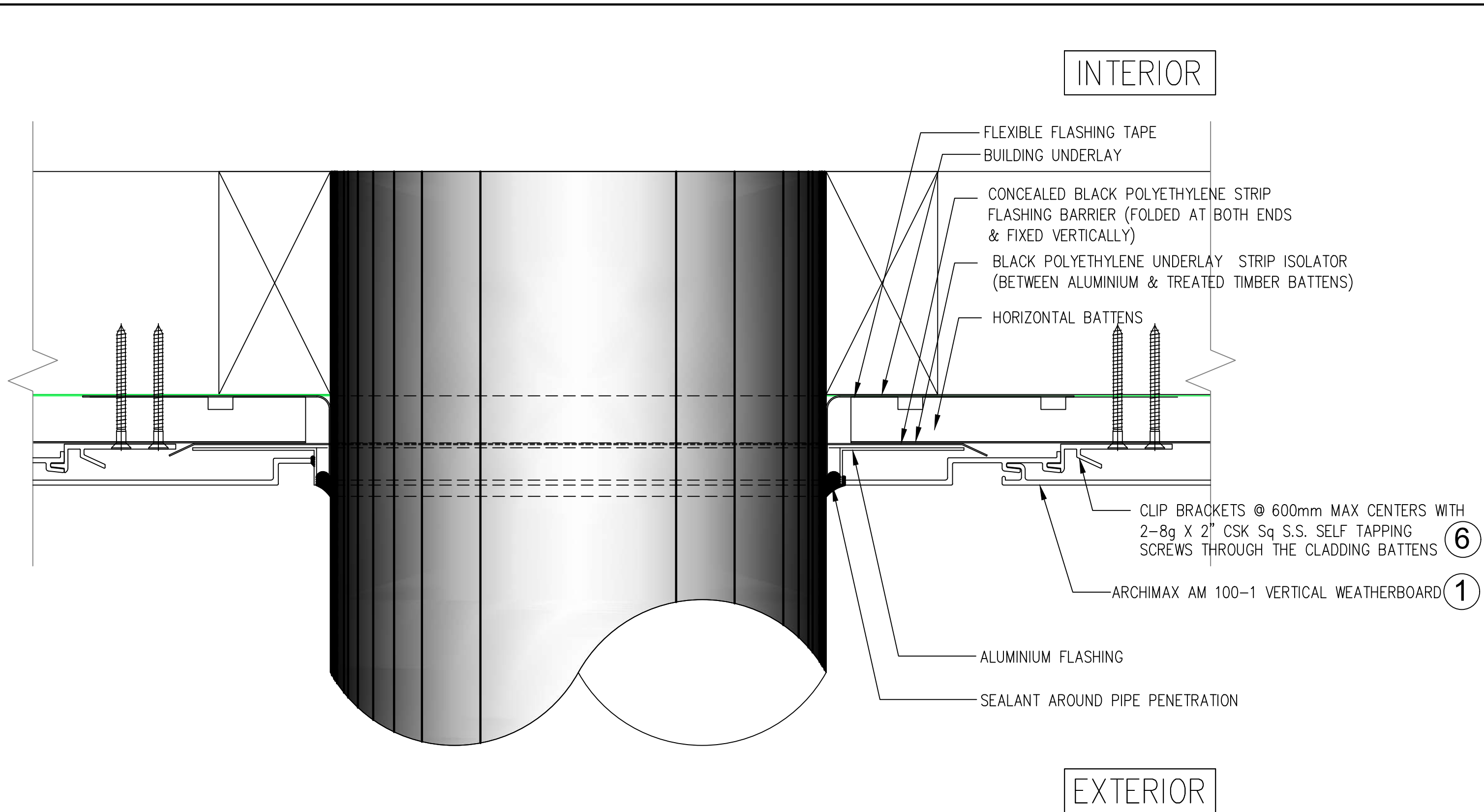
Archimax AM 100-1 - Vertical Weatherboard

Cavity System

Scale: NTS

D10

Rev : 06

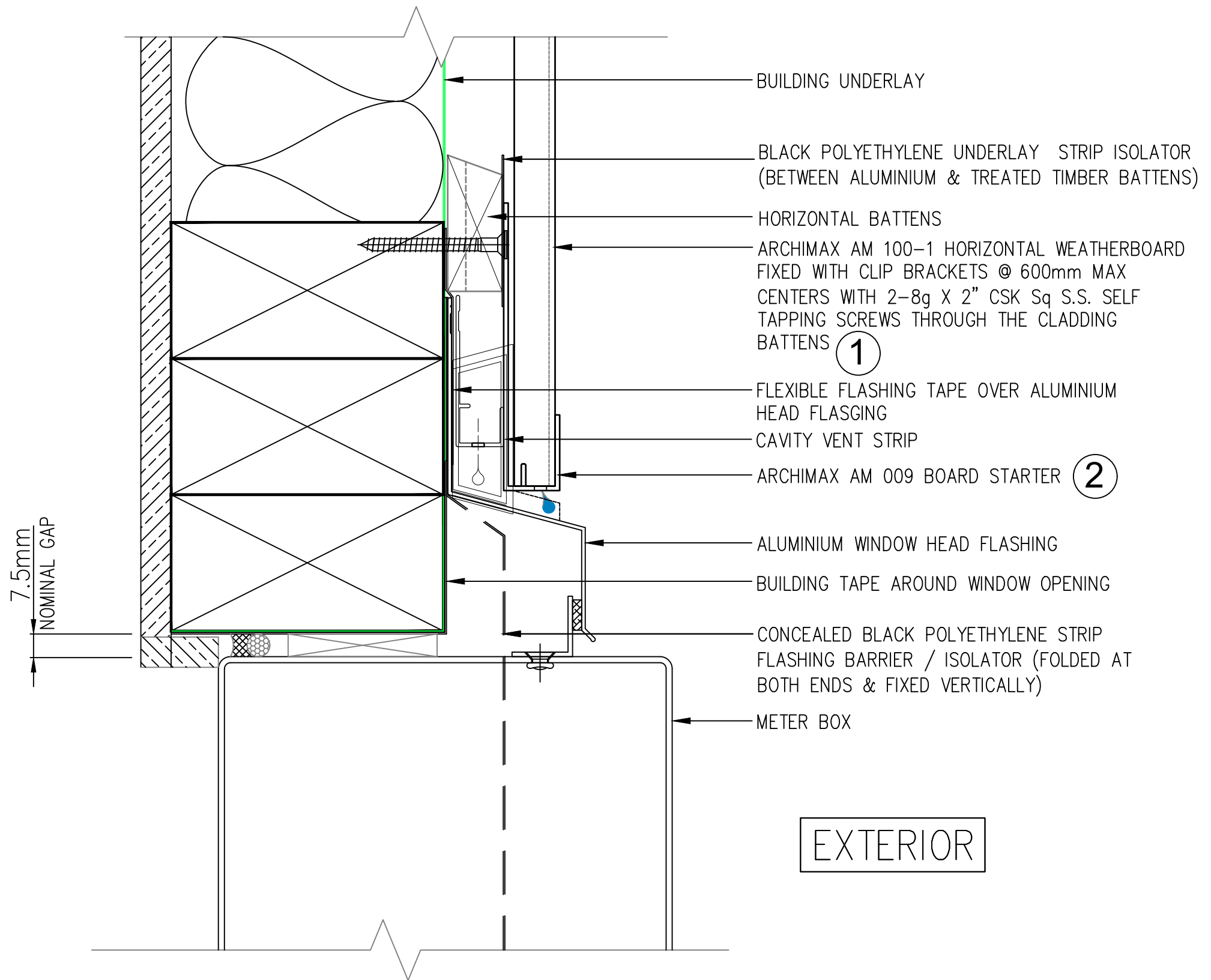


Archimax Limited
 16 Ha Crescent, Wiri 2104 New Zealand
 www.archimax.co.nz
 @ ARCHIMAX CLADDING - All Rights Reserved

Pipe Penetration Detail
 Archimax AM 100-1 - Vertical Weatherboard
 Cavity System
 Scale: NTS

D11

Rev : 06



ARCHIMAX CLADDING

Archimax Limited

16 Ha Crescent, Wiri 2104 New Zealand
www.archimax.co.nz
 @ ARCHIMAX CLADDING - All Rights Reserved

Meter Box Head

Archimax AM 100-1 - Vertical Weatherboard

Cavity System

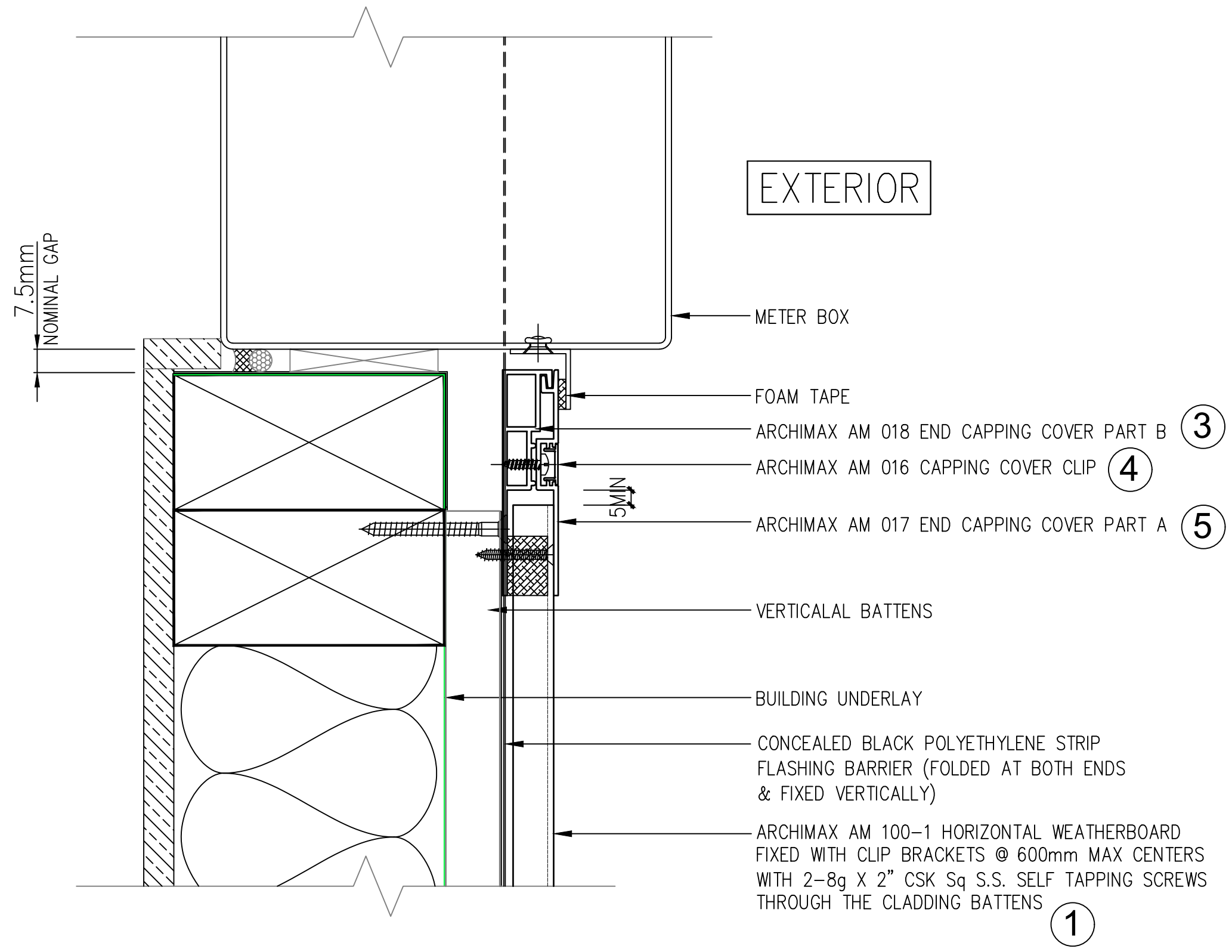
Scale: NTS

D12

Rev : 06

INTERIOR

EXTERIOR



ARCHIMAX CLADDING

Archimax Limited

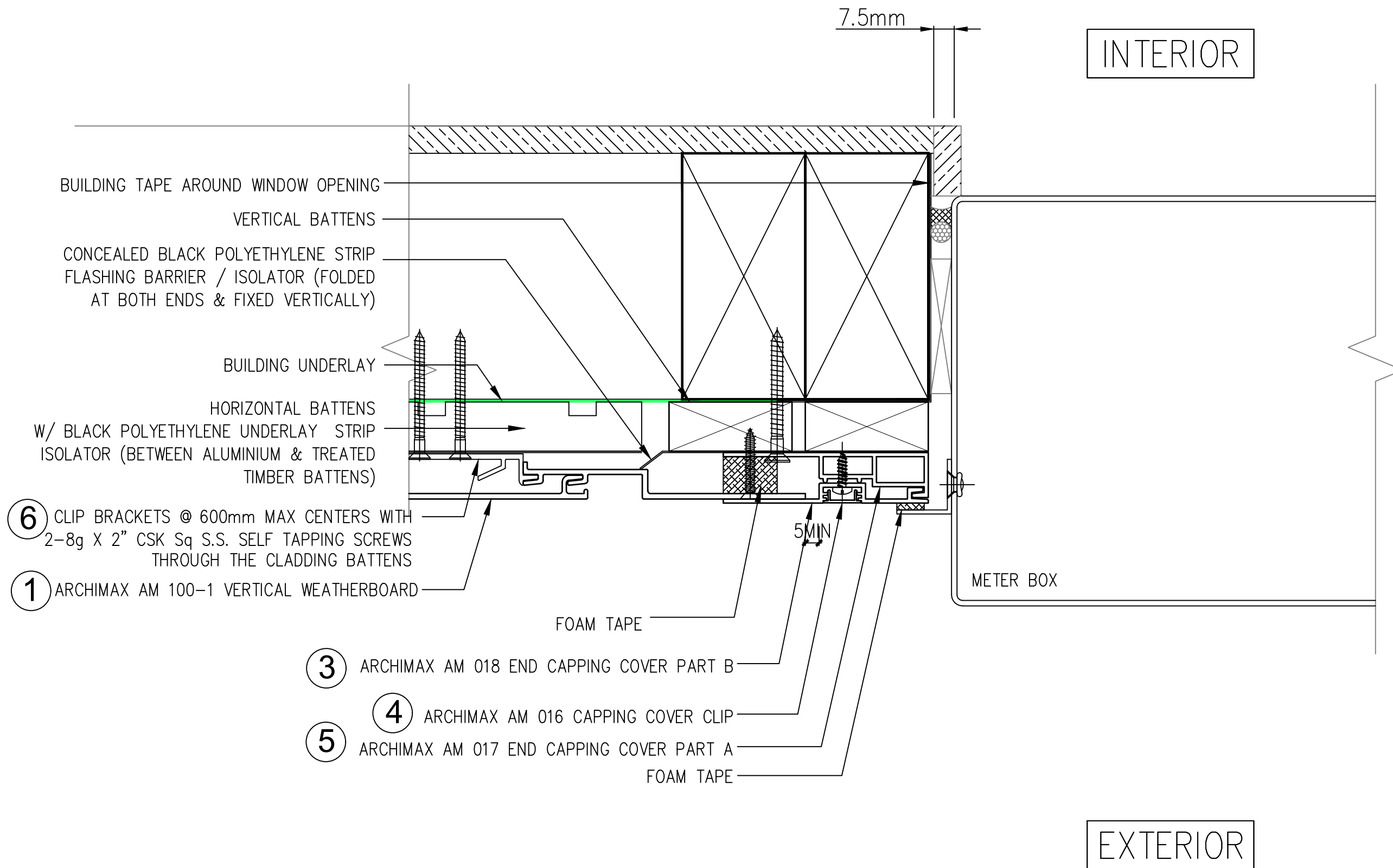
16 Ha Crescent, Wiri 2104 New Zealand
 www.archimax.co.nz
 @ ARCHIMAX CLADDING - All Rights Reserved

Meter Box Sill
 Archimax AM 100-1 - Vertical Weatherboard

Cavity System
 Scale: NTS

D13

Rev : 06



ARCHIMAX CLADDING

Archimax Limited

16 Ha Crescent, Wiri 2104 New Zealand
 www.archimax.co.nz
 @ ARCHIMAX CLADDING - All Rights Reserved

Meter Box Jamb

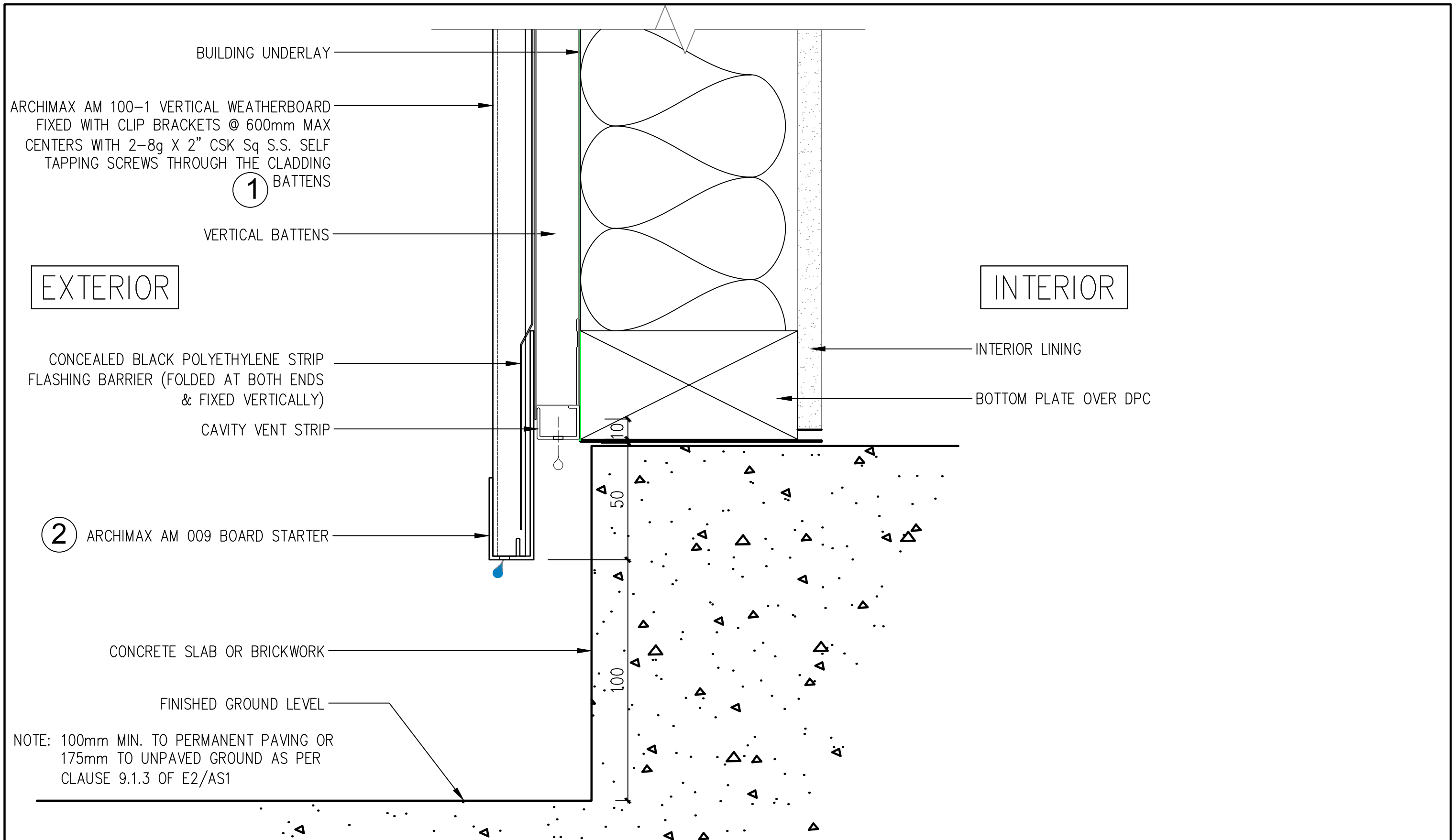
Archimax AM 100-1 - Vertical Weatherboard

Cavity System

Scale: NTS

D14

Rev : 06



ARCHIMAX CLADDING

Archimax Limited

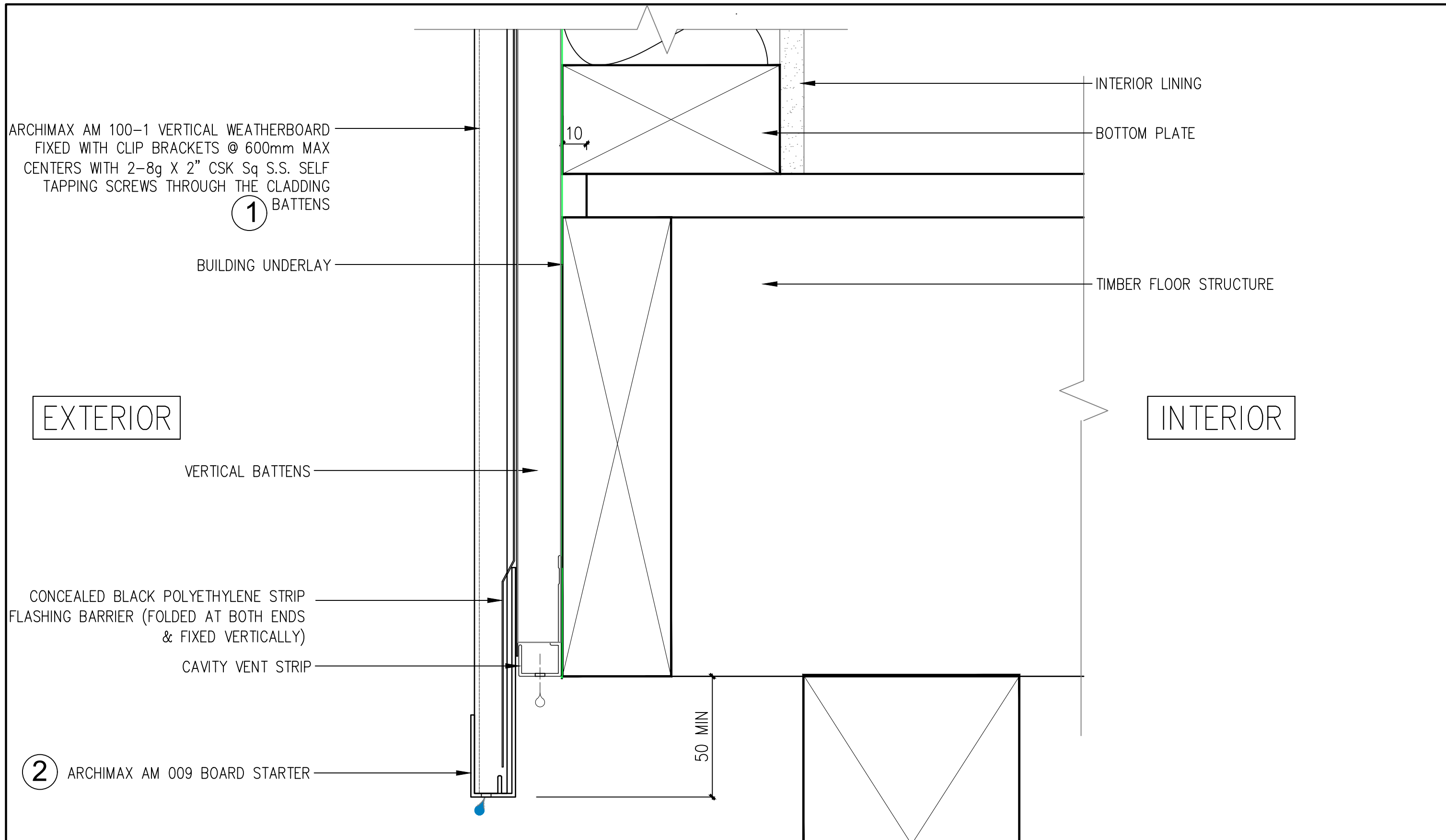
16 Ha Crescent, Wiri 2104 New Zealand
www.archimax.co.nz
@ ARCHIMAX CLADDING - All Rights Reserved

Concrete Floor Board Starter
Archimax AM 100-1 - Vertical Weatherboard

Cavity System
Scale: NTS

D15

Rev : 06



ARCHIMAX AM 100-1 VERTICAL WEATHERBOARD
 FIXED WITH CLIP BRACKETS @ 600mm MAX
 CENTERS WITH 2-8g X 2" CSK Sq S.S. SELF
 TAPPING SCREWS THROUGH THE CLADDING
 BATTENS

BUILDING UNDERLAY

EXTERIOR

VERTICAL BATTENS

CONCEALED BLACK POLYETHYLENE STRIP
 FLASHING BARRIER (FOLDED AT BOTH ENDS
 & FIXED VERTICALLY)

CAVITY VENT STRIP

ARCHIMAX AM 009 BOARD STARTER

INTERIOR LINING

BOTTOM PLATE

TIMBER FLOOR STRUCTURE

INTERIOR

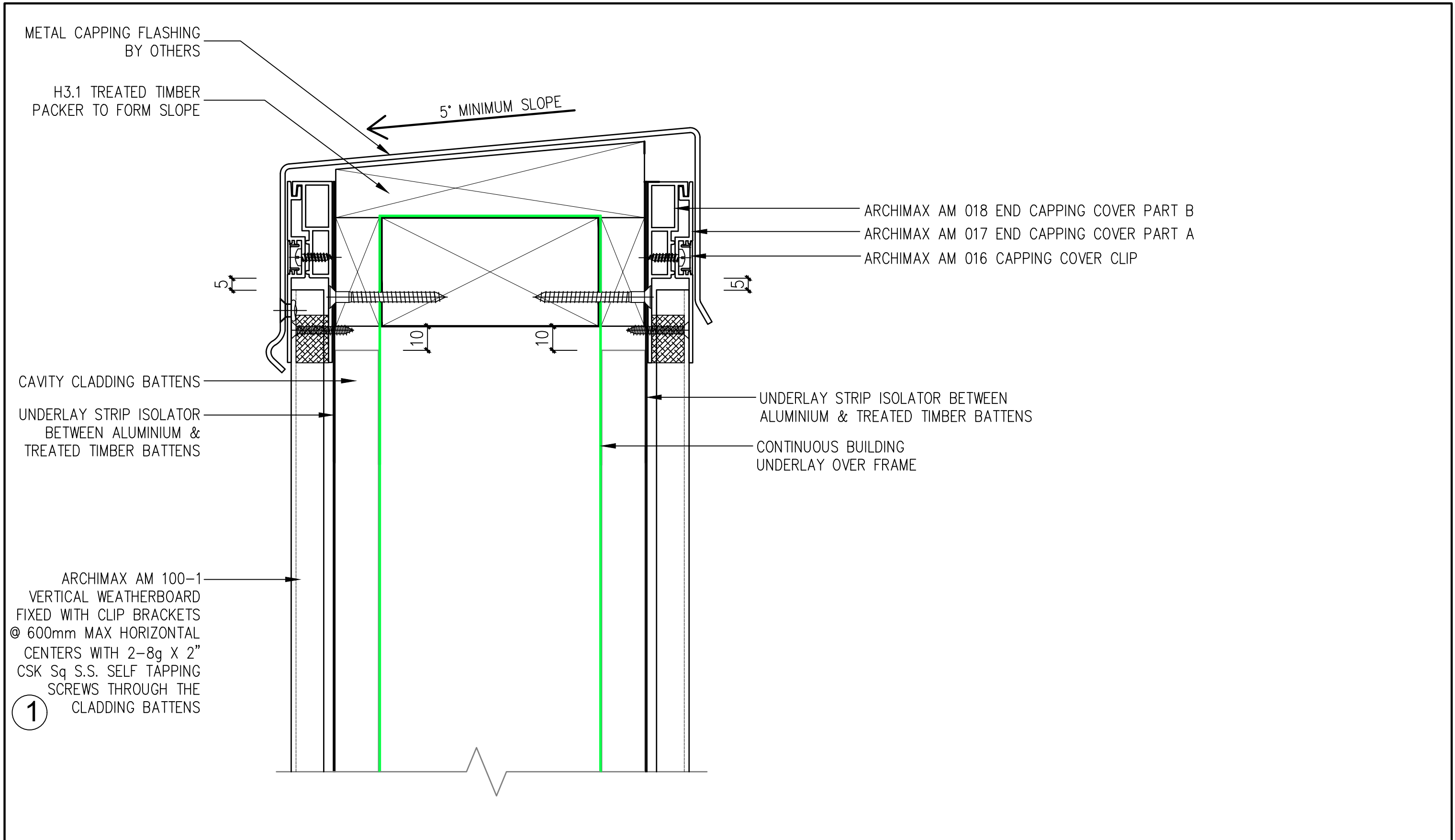
50 MIN



Archimax Limited
 16 Ha Crescent, Wiri 2104 New Zealand
 www.archimax.co.nz
 @ ARCHIMAX CLADDING - All Rights Reserved

Parapet
 Archimax AM 100-1 - Vertical Weatherboard
 Cavity System
 Scale: NTS

D16
 Rev : 06



Archimax Limited
 16 Ha Crescent, Wiri 2104 New Zealand
 www.archimax.co.nz
 @ ARCHIMAX CLADDING - All Rights Reserved

Parapet on Cavity
 Archimax AM 100-1 - Vertical Weatherboard
 Cavity System
 Scale: NTS

D17
 Rev : 06

EXTERIOR

INTERIOR

FACIA BOARD

SEALANT OVER PEF BACKING ROD
ARCHIMAX AM 018 END CAPPING COVER PART B
ARCHIMAX AM 016 CAPPING COVER CLIP
ARCHIMAX AM 017 END CAPPING COVER PART A

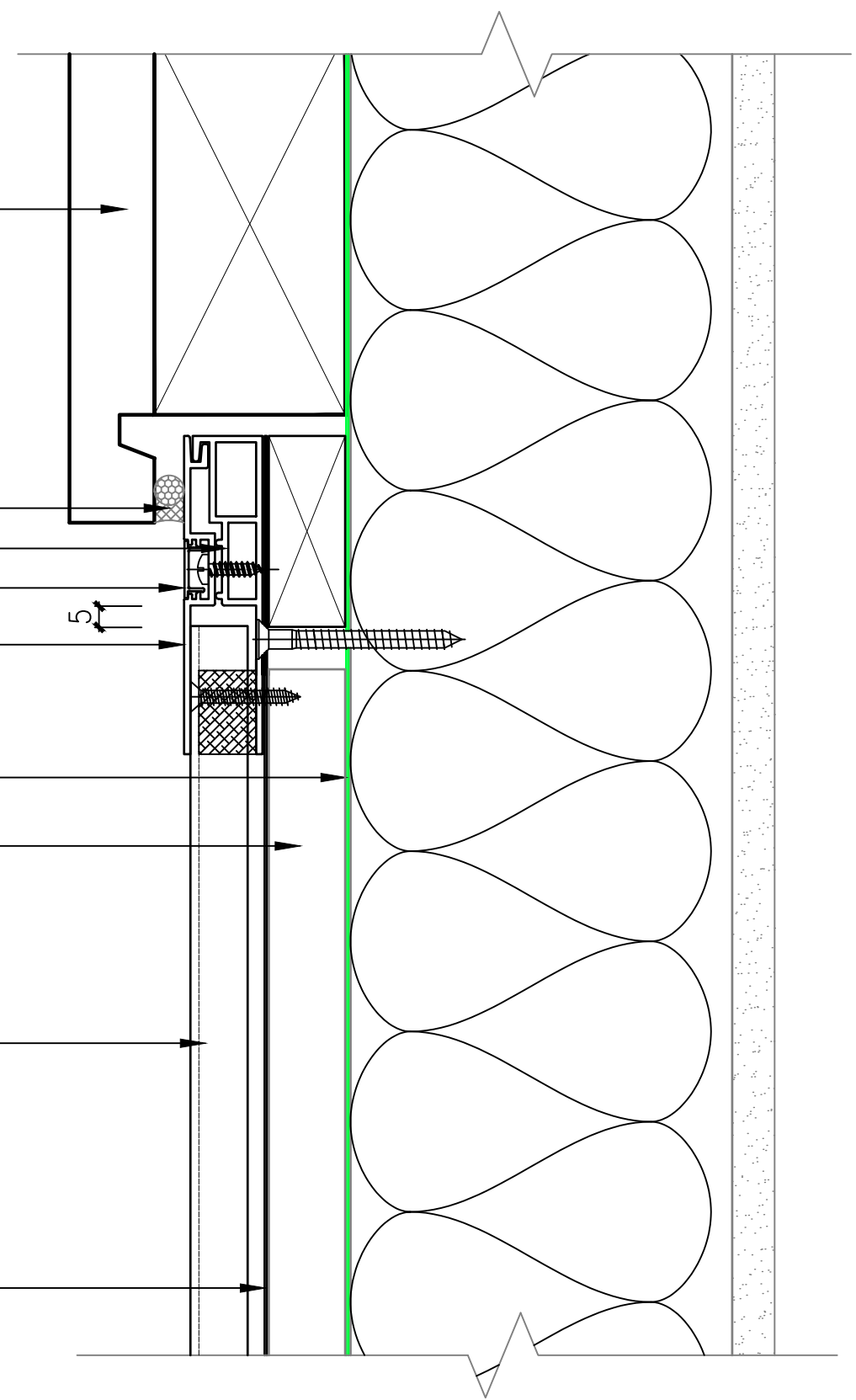
BUILDING UNDERLAY

CAVITY CLADDING BATTENS

1

ARCHIMAX AM 100-1 VERTICAL WEATHERBOARD
FIXED WITH CLIP BRACKETS @ 600mm MAX
HORIZONTAL CENTERS WITH 2-8g X 2" CSK Sq
S.S. SELF TAPPING SCREWS THROUGH THE
CLADDING BATTENS

UNDERLAY STRIP ISOLATOR BETWEEN
ALUMINIUM & TREATED TIMBER BATTENS



ARCHIMAX CLADDING

Archimax Limited

16 Ha Crescent, Wiri 2104 New Zealand

www.archimax.co.nz

@ ARCHIMAX CLADDING - All Rights Reserved

Non-Soffit

Archimax AM 100-1 - Vertical Weatherboard

Cavity System

Scale: NTS

D18

Rev : 06

EXTERIOR

INTERIOR

1

ARCHIMAX AM 100-1 VERTICAL WEATHERBOARD
FIXED WITH CLIP BRACKETS @ 600mm MAX
HORIZONTAL CENTERS WITH 2-8g X 2" CSK Sq
S.S. SELF TAPPING SCREWS THROUGH THE
CLADDING BATTENS

CAVITY CLADDING BATTENS

UNDERLAY STRIP ISOLATOR BETWEEN
ALUMINIUM & TREATED TIMBER BATTENS

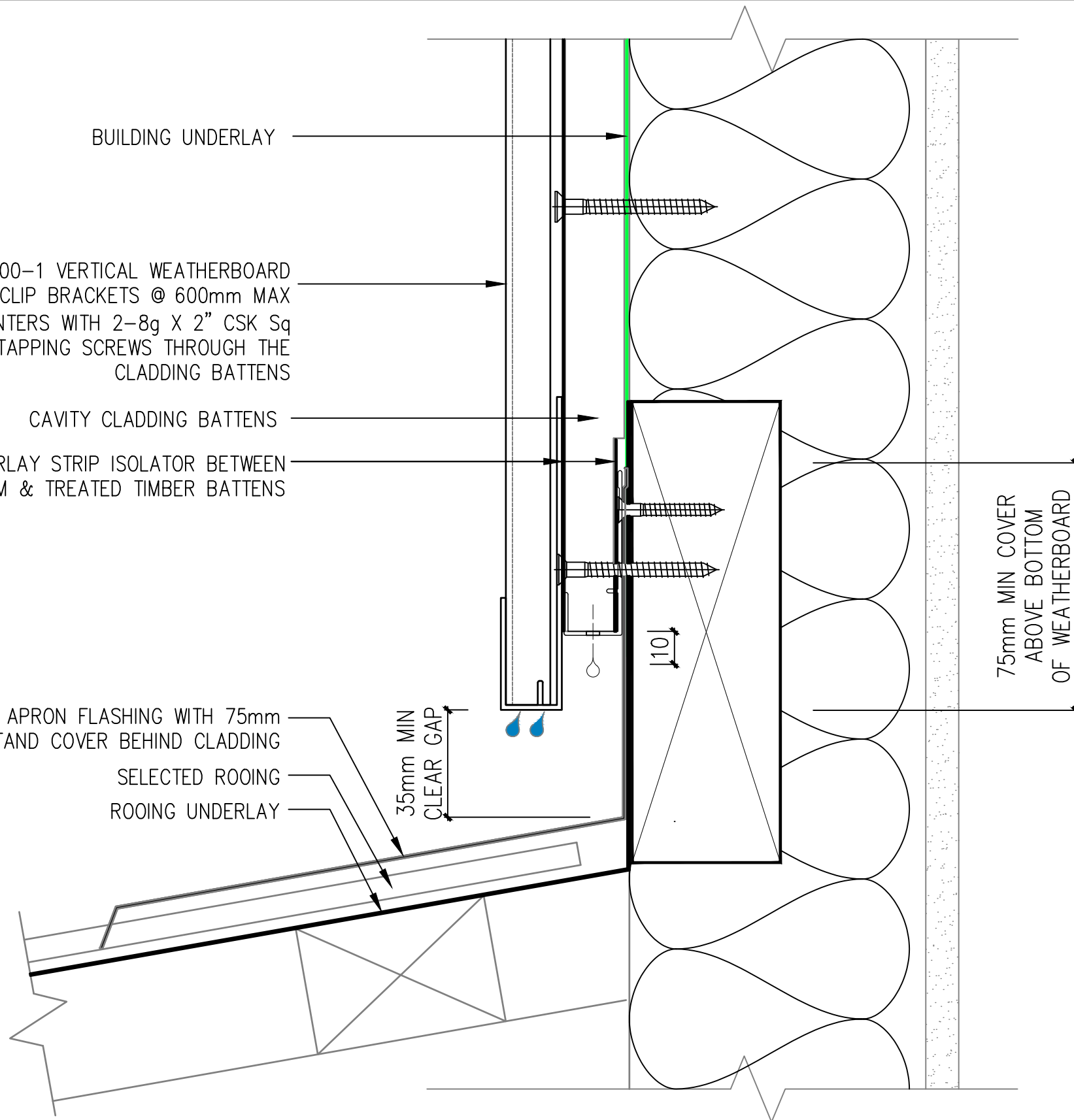
APRON FLASHING WITH 75mm
UPSTAND COVER BEHIND CLADDING

SELECTED ROOING
ROOING UNDERLAY

35mm MIN
CLEAR GAP

10

75mm MIN COVER
ABOVE BOTTOM
OF WEATHERBOARD



ARCHIMAX CLADDING

Archimax Limited

16 Ha Crescent, Wiri 2104 New Zealand

www.archimax.co.nz

@ ARCHIMAX CLADDING - All Rights Reserved

Roof-Wall Junction

Archimax AM 100-1 - Vertical Weatherboard

Cavity System

Scale: NTS

D19

Rev : 06

EXTERIOR

INTERIOR

CAVITY CLADDING BATTENS

UNDERLAY STRIP ISOLATOR BETWEEN ALUMINIUM & TREATED TIMBER BATTENS

BUILDING UNDERLAY

1

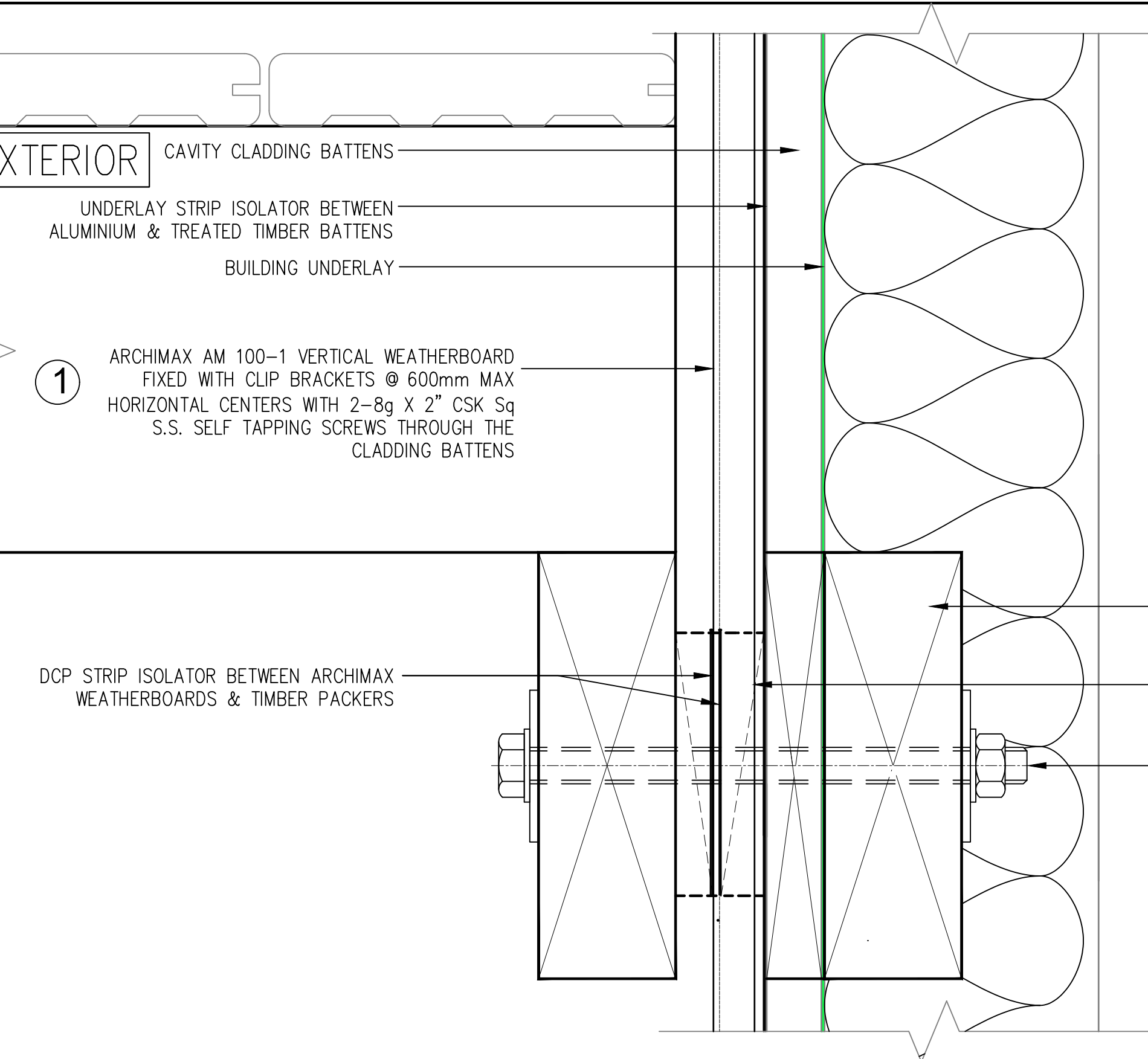
ARCHIMAX AM 100-1 VERTICAL WEATHERBOARD FIXED WITH CLIP BRACKETS @ 600mm MAX HORIZONTAL CENTERS WITH 2-8g X 2" CSK Sq S.S. SELF TAPPING SCREWS THROUGH THE CLADDING BATTENS

DCP STRIP ISOLATOR BETWEEN ARCHIMAX WEATHERBOARDS & TIMBER PACKERS

SOLID BLOCKING

TIMBER PACKING

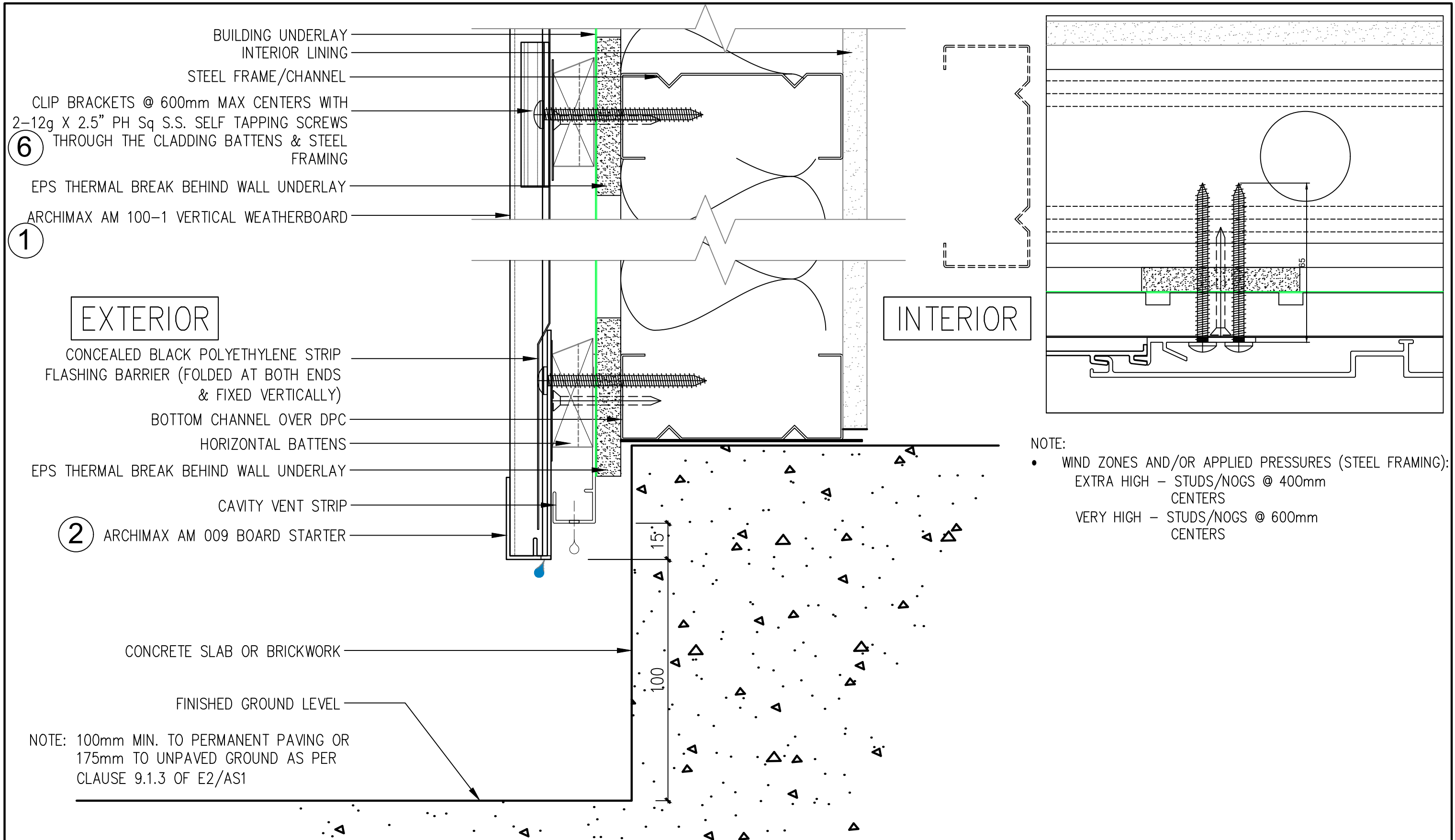
BOLT FIXING



Archimax Limited
 16 Ha Crescent, Wiri 2104 New Zealand
www.archimax.co.nz
 @ ARCHIMAX CLADDING - All Rights Reserved

Deck Junction
 Archimax AM 100-1 - Vertical Weatherboard
 Cavity System
 Scale: NTS

D20
 Rev : 06



ARCHIMAX CLADDING

Archimax Limited

16 Ha Crescent, Wiri 2104 New Zealand
 www.archimax.co.nz
 @ ARCHIMAX CLADDING - All Rights Reserved

Steel Stud/Nogs Details
 Archimax AM 100-1 - Vertical Weatherboard

Cavity System
 Scale: NTS

D21

Rev : 06

<p>1</p>	<p>2</p>	<p>3</p>	<p>4</p>	<p>5</p>	<p>6</p>	<p>7</p>	<p>8</p>
<p>AM 009 BOARD STARTER</p>	<p>AM 018 END CAPPING PART B</p>	<p>AM 016 JOINTER / JAMB / SILL CAPPING COVER CLIP</p>	<p>AM 017 END CAPPING PART A</p>	<p>AM 029 CLIP BRACKET</p>	<p>AM 019 INTERNAL/EXTERNAL CORNER PART A</p>	<p>AM 023 INTERNAL CORNER COVER CLIP</p>	
	<p>9</p>	<p>10</p>	<p>11</p>				
<p>AM 100 ARCHIMAX 100-2 HORIZONTAL/ VERTICAL WEATHERBOARD</p>	<p>AM 022 INTERNAL CORNER PART B</p>	<p>AM 021 EXTERNAL CORNER PART B</p>	<p>AM 020 EXTERNAL CORNER COVER CLIP</p>				



Archimax Limited
 16 Ha Crescent, Wiri 2104 New Zealand
www.archimax.co.nz
 @ ARCHIMAX CLADDING - All Rights Reserved

Parts Profile
 Archimax AM 100-1 - Vertical Weatherboard

Cavity System
 Scale: NTS

D22

Rev : 06