

# Penn State Extension

## Sheep housing, Fencing, Feeders, and Equipment

Agricultural and Biological Engineering

abe.psu.edu

### No. IP 725-24

This Idea Plan is intended to provide educational information and ideas concerning housing; fence and creep panels; hay, grain, and mineral feeders; and a tilting squeeze for use with sheep. The following attached drawings are based on historical plans and may not meet design and construction standards for your area:

- Pen Panel and Portable Fence for Sheep ( PSU 86)
- Fencing and Creep Panels for Sheep (PSU 60)
- Hay & Grain Feeder for 12 Sheep or Goats (PSU 80)
- Hay Feed Rack for Sheep (PSU 82)
- Mineral Feeder for Sheep (USDA 5916)
- Creep and Grain Trough for Lambs (PSU 87)
- Tilting Squeeze for Sheep (USDA 6006)
- Sheep and Lambing Shed (USDA 5919)
- Portable Shelter (PSU 01)



If you decide to build a facility similar to any of these plans, be sure to check building requirements for your area. Your local building inspector, engineer, building supplier, or building contractor can help you determine what is a safe and legal facility for housing sheep in your area. In addition to the rules and regulations covering design and construction of buildings, be sure to consider how you will handle the manure and potential nuisance problems for neighbors, including flies, odor, and noise.

The Department of Agricultural and Biological Engineering at Penn State has a variety of educational material available related to agricultural and biological engineering. This material is intended to help Pennsylvania farmers and others develop buildings and facilities for modern, environmentally-compatible farm facilities. The material can be used in conjunction with county extension staff, builders, suppliers, consulting engineers, the Natural Resources Conservation Service, financial management advisors, farm lenders, veterinarians, and others to assemble a facilities plan suitable for local conditions.

Publications are available in the areas of agricultural safety and health, animal housing systems, building and farmstead planning, crops and greenhouses, machinery systems and tractors, residential housing, soil and water resources, and solid waste management. Contact your county Penn State Extension Office for more information on these subjects. You can also obtain an index of publications concerning the above areas by calling, writing, faxing or e-mailing:

Department of Agricultural and Biological Engineering  
246 Agricultural Engineering Building  
University Park, PA, 16802-1909  
Telephone: 814-865-7685 Fax: 814-863-1031 Email: [agbioeng@psu.edu](mailto:agbioeng@psu.edu)

For additional information, the following comprehensive handbook covering the many aspects of sheep housing and equipment is available:

MWPS—03 Sheep Housing and Equipment Handbook (1994).

Contact: **Midwest Plan Services (MWPS)**  
122 Davidson Hall  
Iowa State University  
Ames, IA 50011 USA  
Phone: 515-294-4337 Fax: 515-294-9589  
Email: [mwps@iastate.edu](mailto:mwps@iastate.edu)

An **OUTREACH** program of the  
College of Agricultural Sciences

**Penn State College of Agricultural Sciences research and extension programs are funded in part by Pennsylvania counties, the Commonwealth of Pennsylvania, and the U.S. Department of Agriculture.**

Visit Penn State Extension on the web: [extension.psu.edu](http://extension.psu.edu).

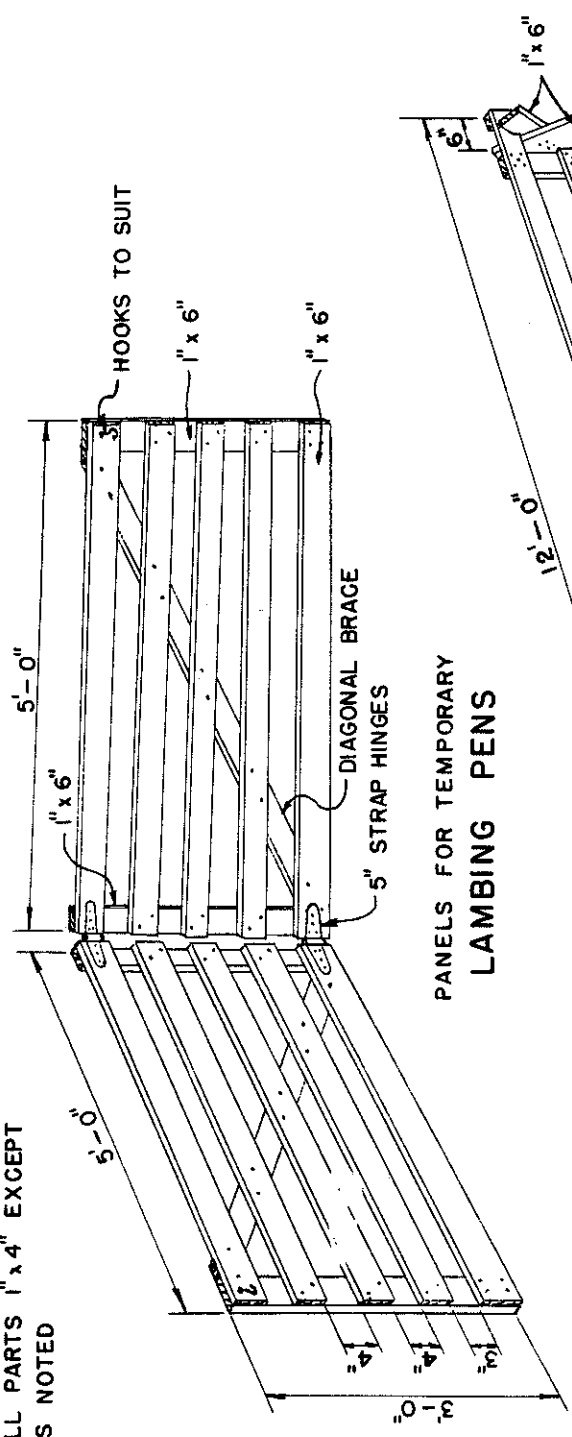
Where trade names appear, no discrimination is intended, and no endorsement by Penn State Cooperative Extension is implied.

Penn State encourages persons with disabilities to participate in its programs and activities. If you anticipate needing any type of accommodation or have questions about the physical access provided, please contact [Name and phone number] in advance of your participation or visit.

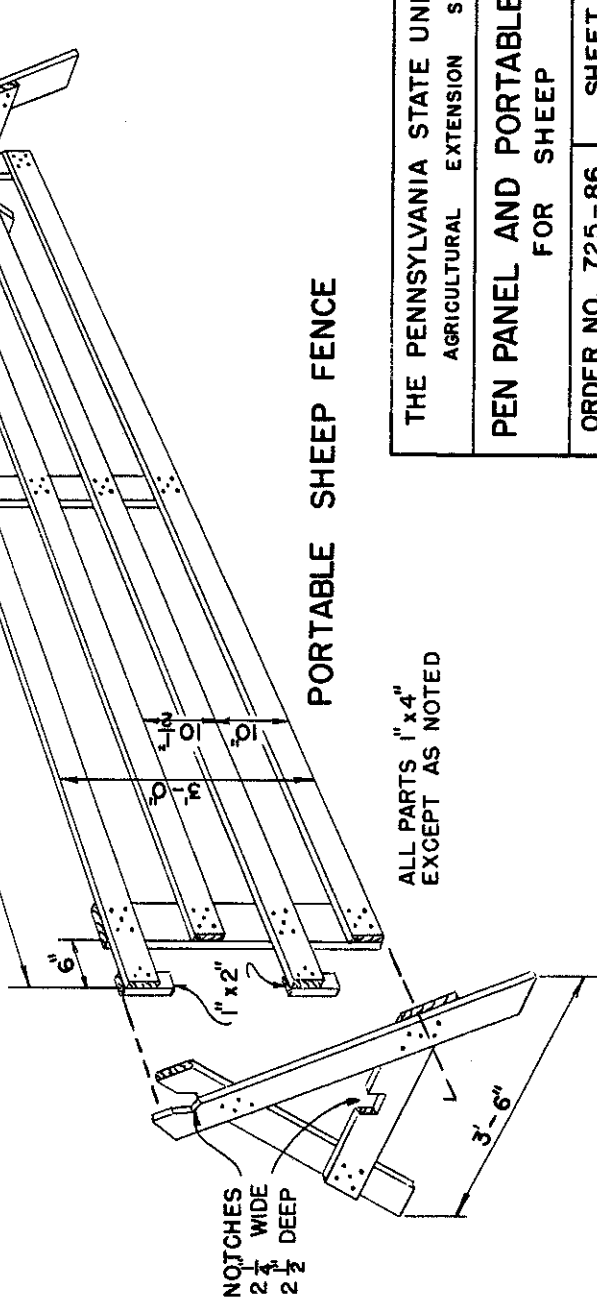
This publication is available in alternative media on request.

The Pennsylvania State University is committed to the policy that all persons shall have equal access to programs, facilities, admission, and employment without regard to personal characteristics not related to ability, performance, or qualifications as determined by University policy or by state or federal authorities. It is the policy of the University to maintain an academic and work environment free of discrimination, including harassment. The Pennsylvania State University prohibits discrimination and harassment against any person because of age, ancestry, color, disability or handicap, national origin, race, religious creed, sex, sexual orientation, gender identity, or veteran status. Discrimination or harassment against faculty, staff, or students will not be tolerated at The Pennsylvania State University. Direct all inquiries regarding the nondiscrimination policy to the Affirmative Action Director, The Pennsylvania State University, 328 Boucke Building, University Park, PA 16802-5901; Tel 814-865-4700/V, 814-863-1150/TTY.

ALL PARTS 1" x 4" EXCEPT AS NOTED



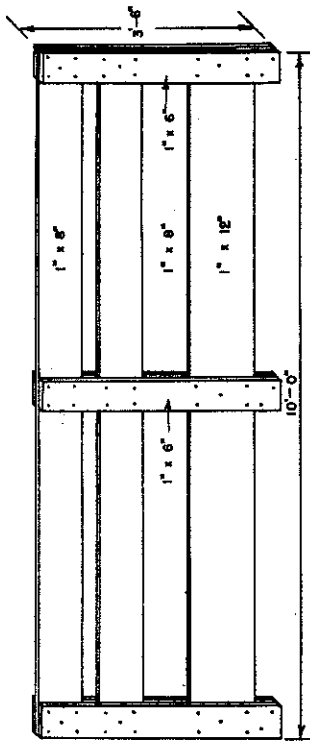
PANELS FOR TEMPORARY LAMBING PENS



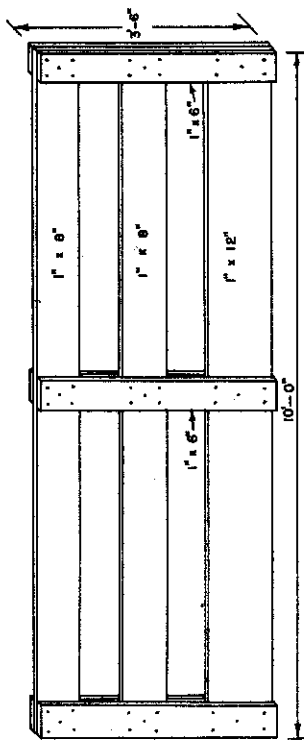
ALL PARTS 1" x 4" EXCEPT AS NOTED

PORTABLE SHEEP FENCE

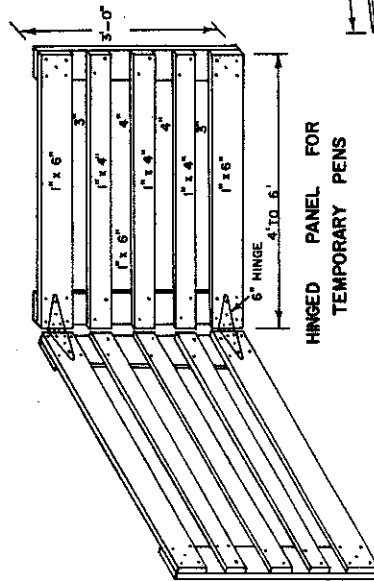
THE PENNSYLVANIA STATE UNIVERSITY AGRICULTURAL EXTENSION SERVICE	
PEN PANEL AND PORTABLE FENCE FOR SHEEP	
ORDER NO. 725-86	SHEET 1 OF 1
ADAPTED FROM U.S.D.A. PLAN NO. 5802	



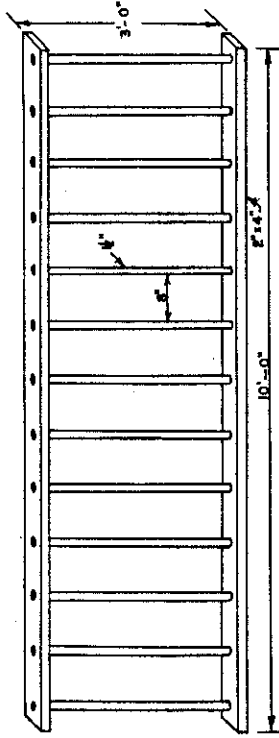
PANEL FOR EWES



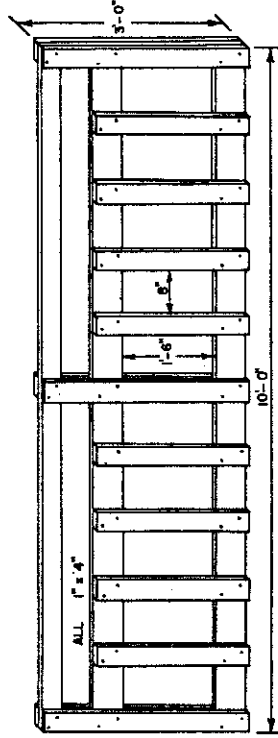
PANEL FOR LAMBS



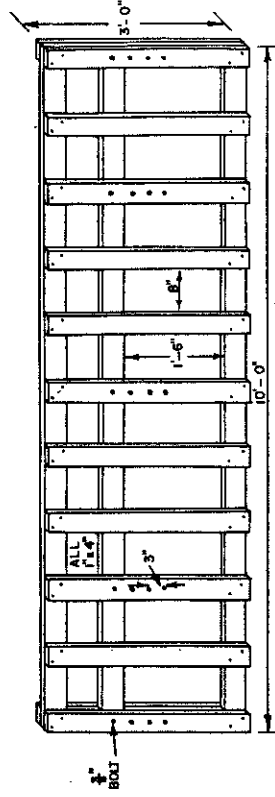
HINGED PANEL FOR TEMPORARY PENS



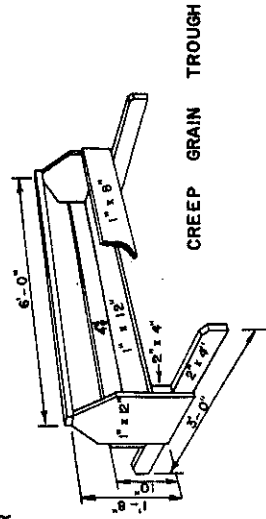
CREEP PANEL



PANEL FOR CREEP FEEDING



ADJUSTABLE PANEL FOR CREEP FEEDING



CREEP GRAIN TROUGH

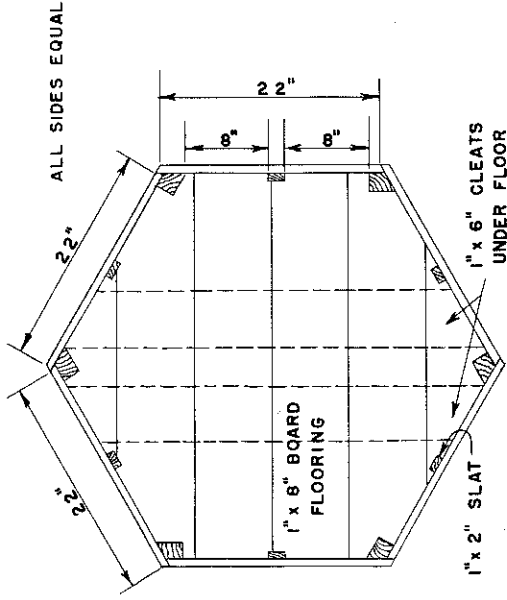
THE PENNSYLVANIA STATE UNIVERSITY  
AGRICULTURAL EXTENSION SERVICE

FENCING AND CREEP PANELS  
FOR SHEEP

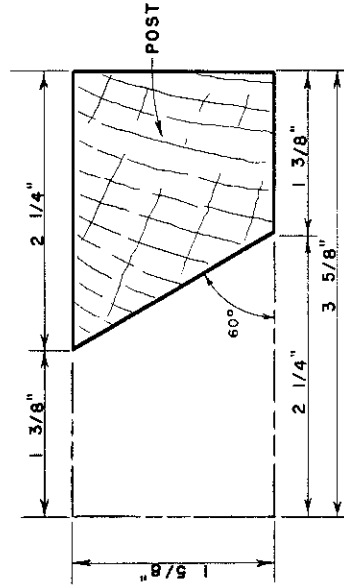
DRN BY: ARG  
TRD BY: AKG  
DATE: 5-74

ORDER NO.  
725-60

SHEET  
1 OF 1

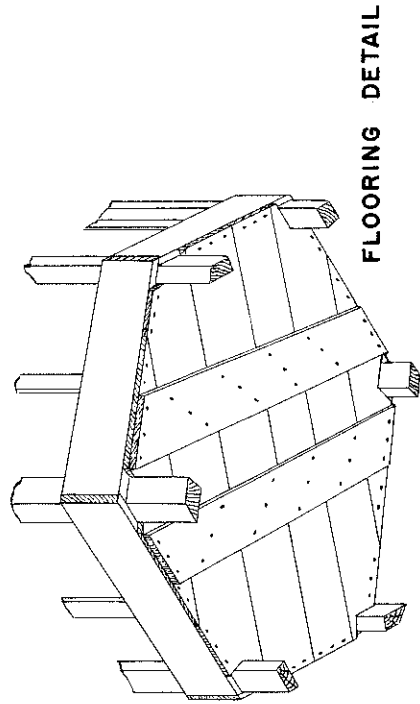
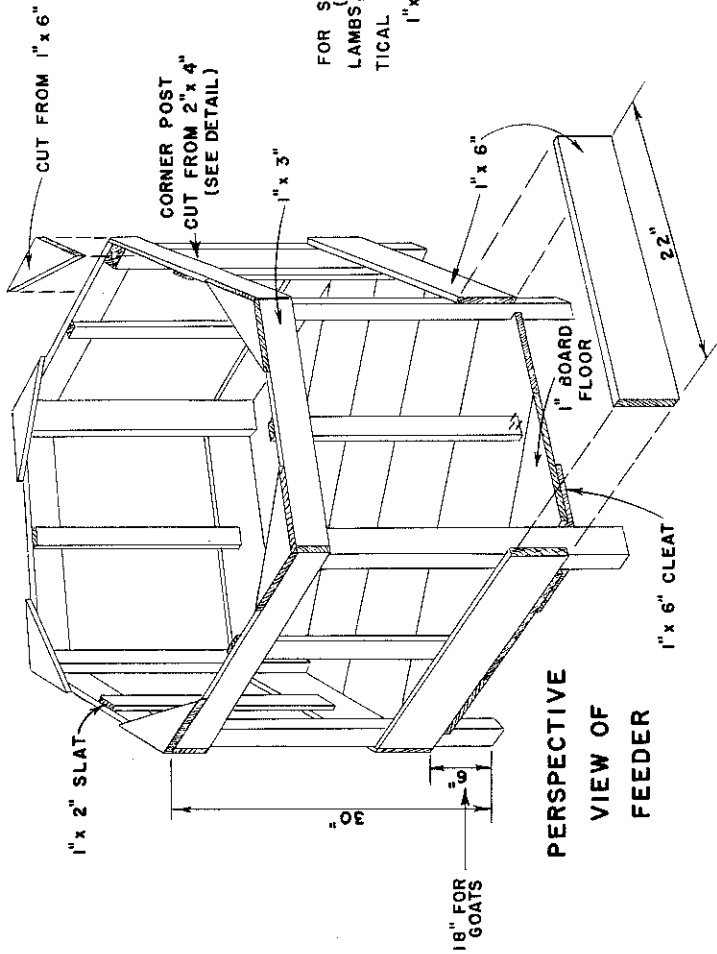


PLAN VIEW



CORNER POST DETAIL  
CUT TWO FROM DRESSED 2" x 4"

**NOTE:** (DOES) FOR SMALL EWES AND (KIDS) LAMBS, USE 1" x 6" VERTICAL SLATS INSTEAD OF 1" x 2" AS SHOWN.

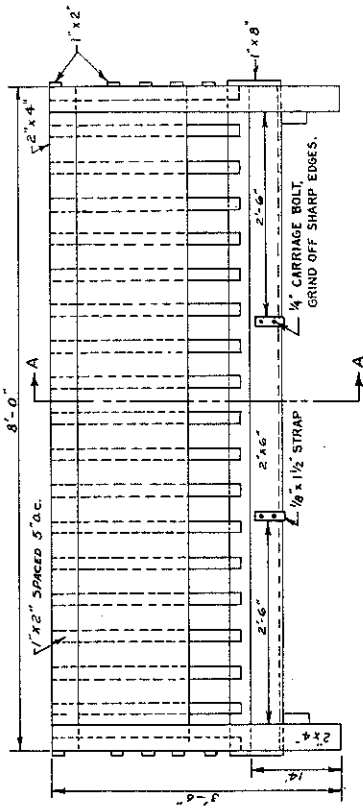


THE PENNSYLVANIA STATE UNIVERSITY  
AGRICULTURAL EXTENSION SERVICE

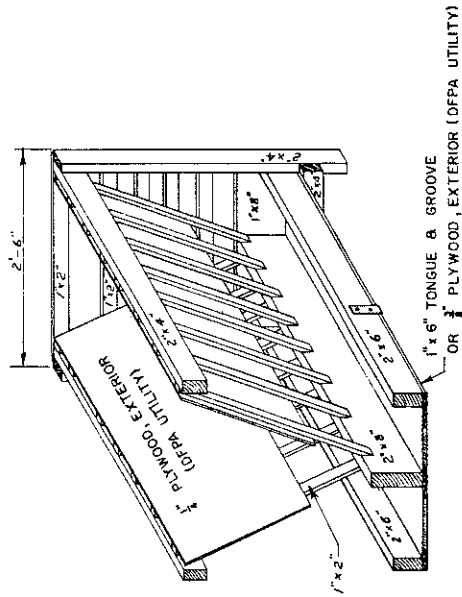
HAY & GRAIN FEEDER  
FOR 12 SHEEP  
OR GOATS

ADAPTED FROM U.S.D.A. PLAN EX. 5807

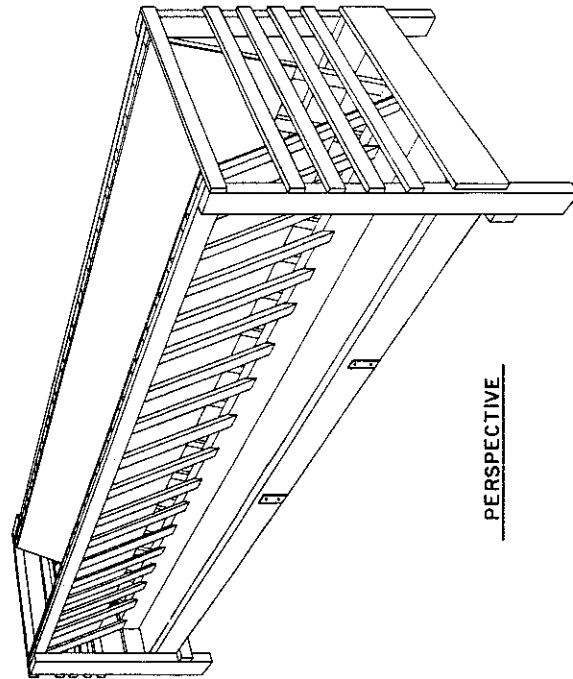
ORDER NO. 725 - 80 SHEET 1 OF 1



SIDE ELEVATION



ISOMETRIC VIEW  
THRU SECTION A-A



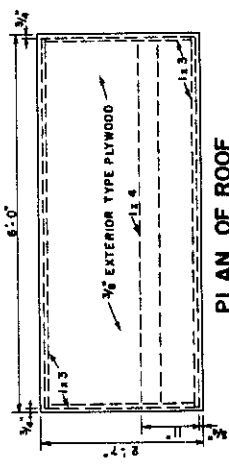
PERSPECTIVE

THE PENNSYLVANIA STATE UNIVERSITY  
AGRICULTURAL EXTENSION SERVICE

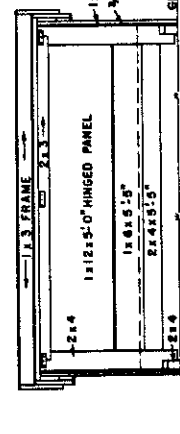
HAY FEED RACK FOR SHEEP

ORDER NO. 725 - 82 SHEET 1 OF 1

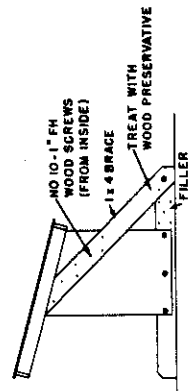
REVISED FEB., 1960



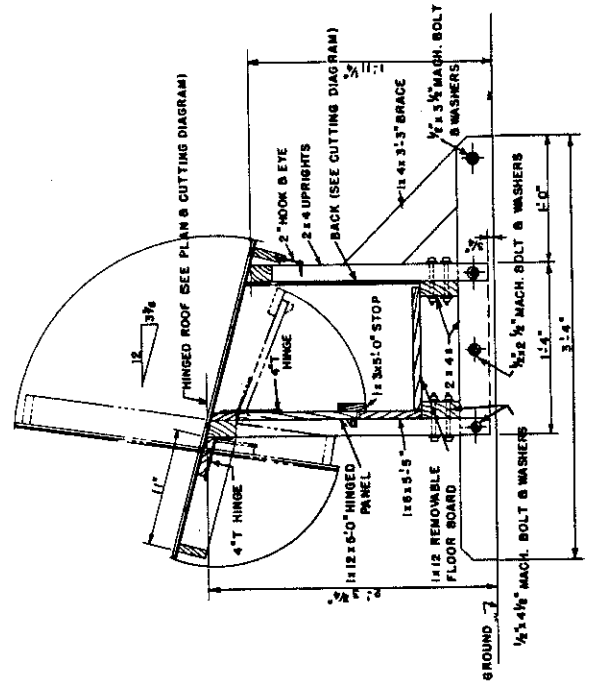
PLAN OF ROOF



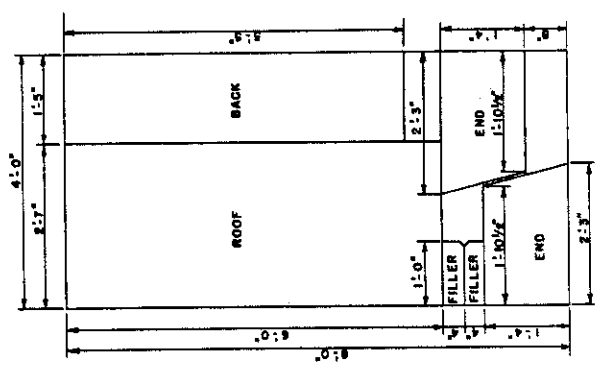
FRONT ELEVATION



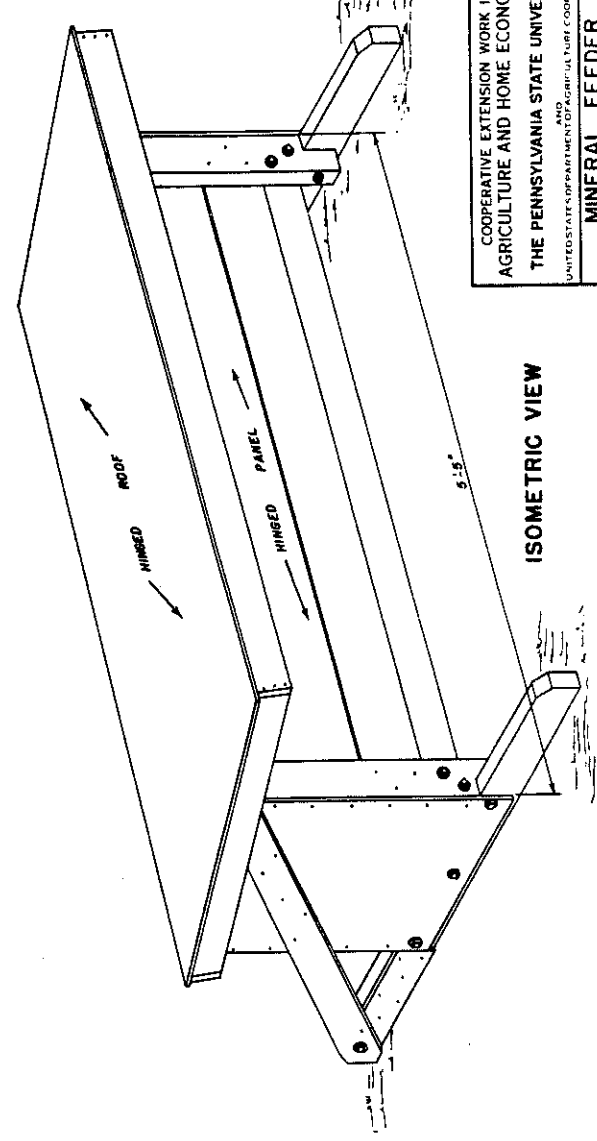
END ELEVATION



SECTION A-A



CUTTING DIAGRAM  
(1/2" EXTERIOR TYPE PLYWOOD)



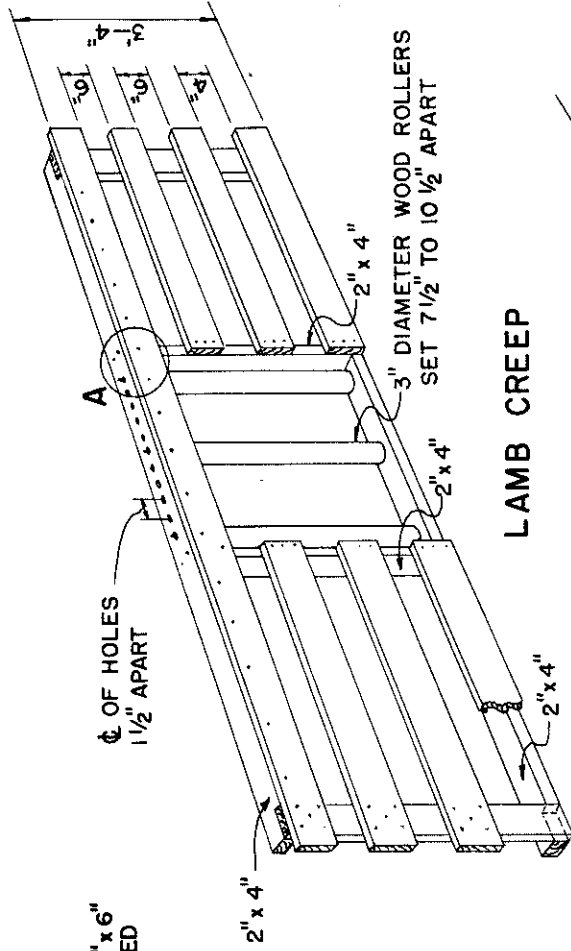
ISOMETRIC VIEW

COOPERATIVE EXTENSION WORK IN  
AGRICULTURE AND HOME ECONOMICS  
THE PENNSYLVANIA STATE UNIVERSITY  
UNITED STATES DEPARTMENT OF AGRICULTURE

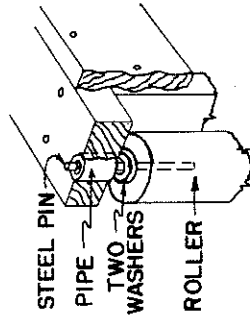
**MINERAL FEEDER**  
FOR SHEEP

USDA '60 EX-5916 SHEET 1 OF 1  
ORDER NO. 725-5916

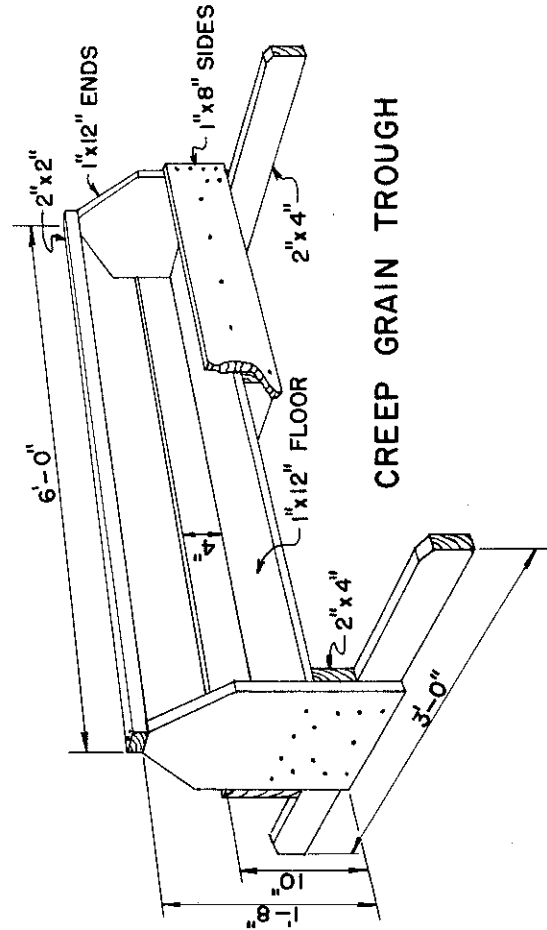
NOTE:  
ALL PARTS 1"x6"  
EXCEPT AS NOTED



LAMB CREEP



DETAIL A



CREEP GRAIN TROUGH

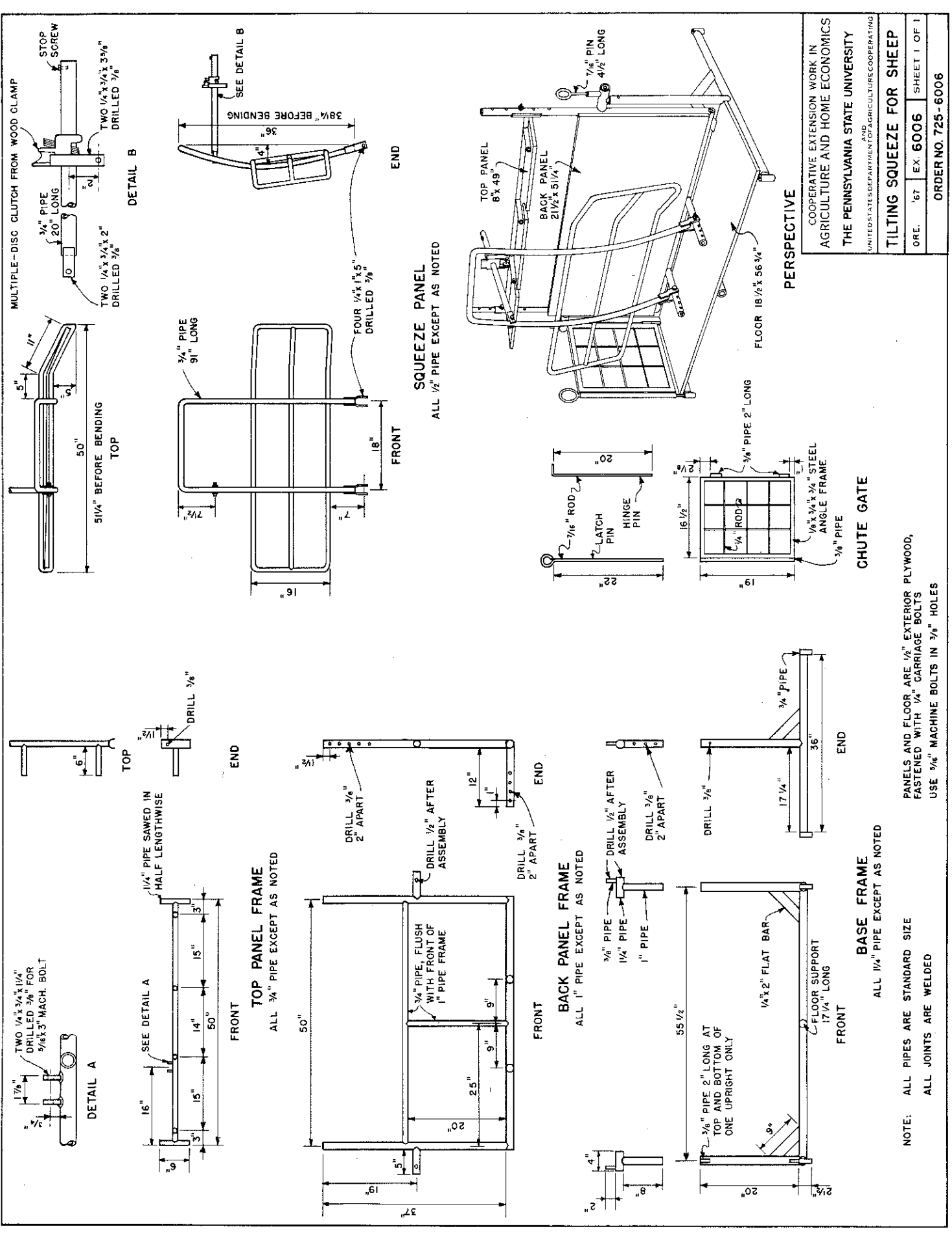
THE PENNSYLVANIA STATE UNIVERSITY  
AGRICULTURAL EXTENSION SERVICE

CREEP AND GRAIN TROUGH  
FOR LAMBS

ORDER NO. 725-87 SHEET 1 OF 1

ADAPTED FROM U.S.D.A. PLAN NO. 5802



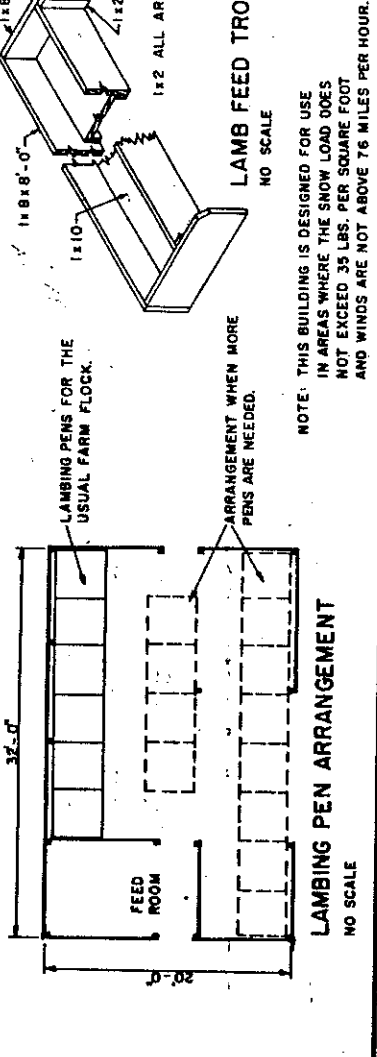
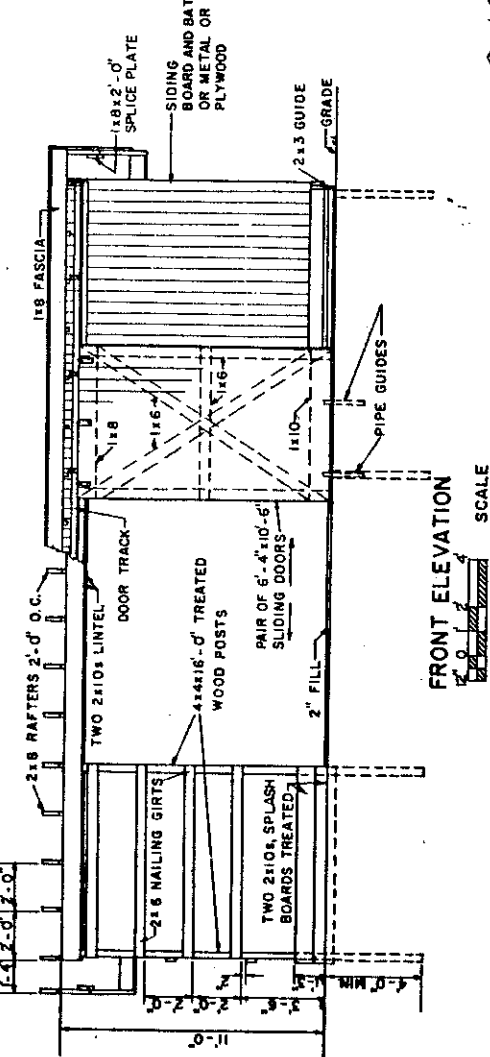
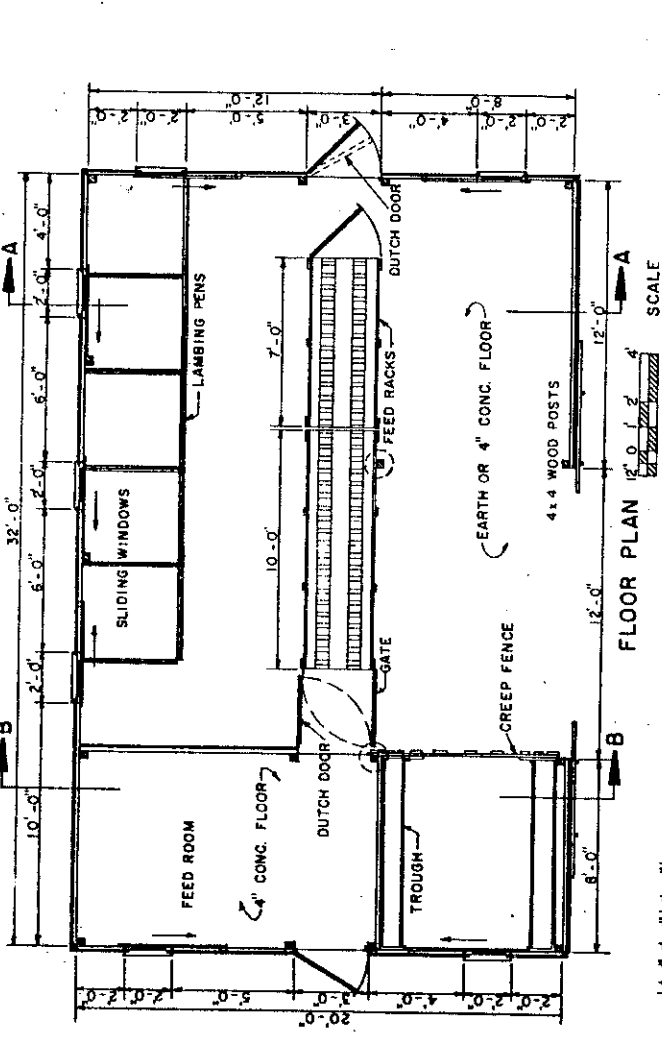
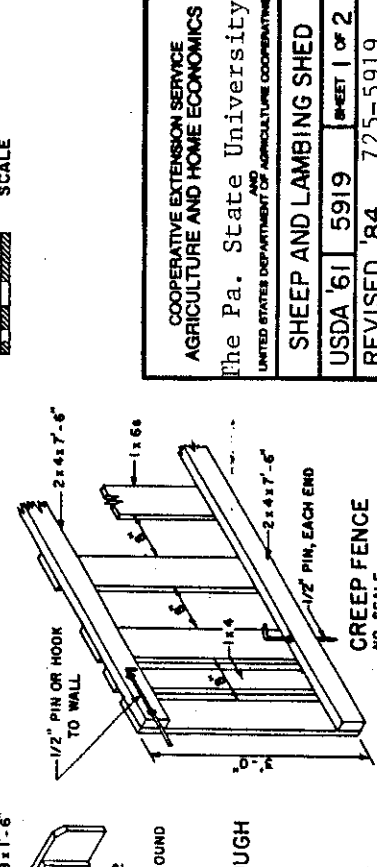
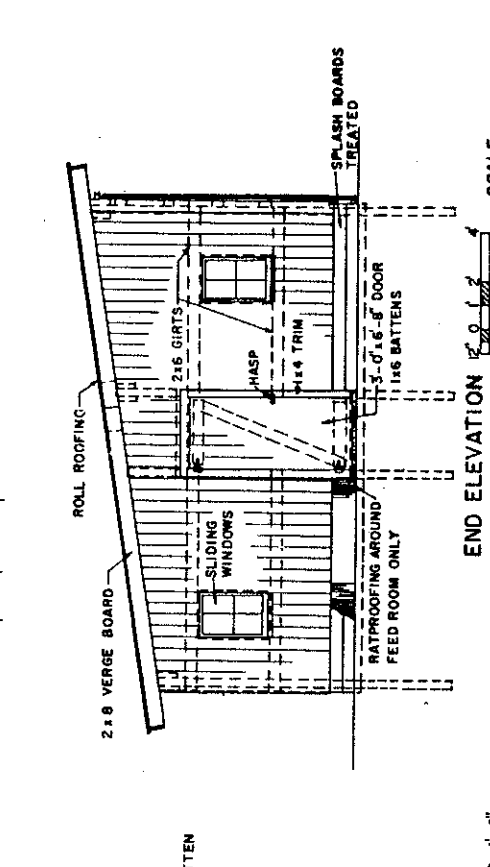
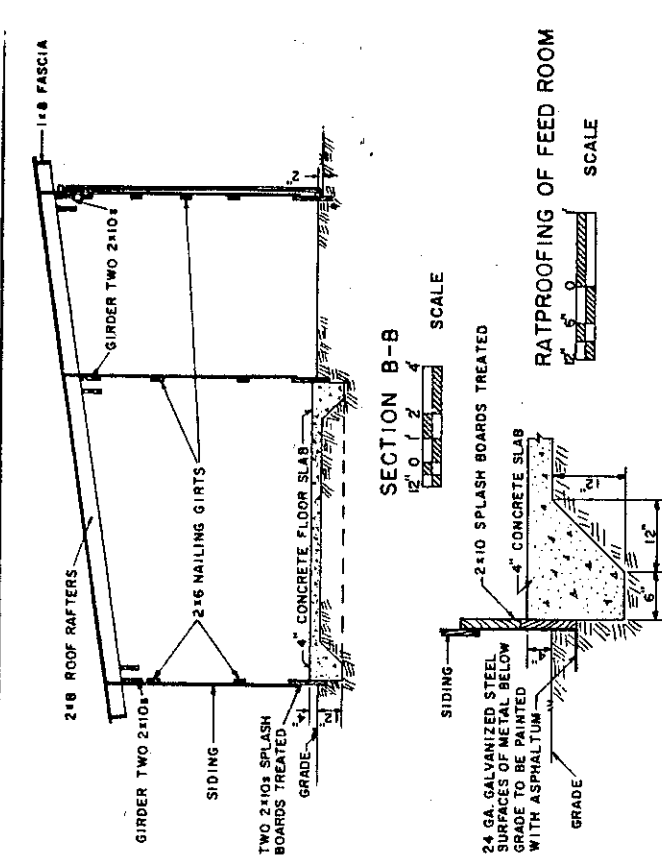


COOPERATIVE EXTENSION WORK IN  
AGRICULTURE AND HOME ECONOMICS  
THE PENNSYLVANIA STATE UNIVERSITY  
UNITED STATES DEPARTMENT OF AGRICULTURE COOPERATING

**TILTING SQUEEZE FOR SHEEP**

ORE. '67 EX. 6006 SHEET 1 OF 1

ORDER NO. 725-6006

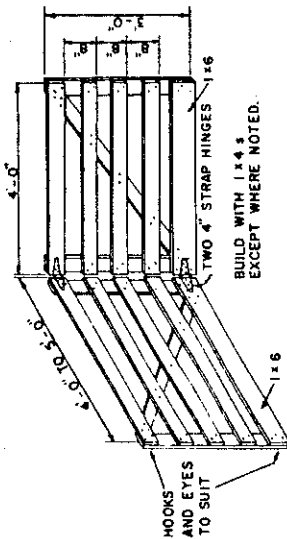


COOPERATIVE EXTENSION SERVICE  
AGRICULTURE AND HOME ECONOMICS  
The Pa. State University  
LIMITED STATES DEPARTMENT OF AGRICULTURE COOPERATING

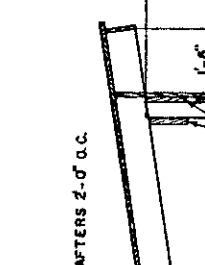
**SHEEP AND LAMBING SHED**

USDA '61 5919 SHEET 1 OF 2  
REVISED '84 725-5919

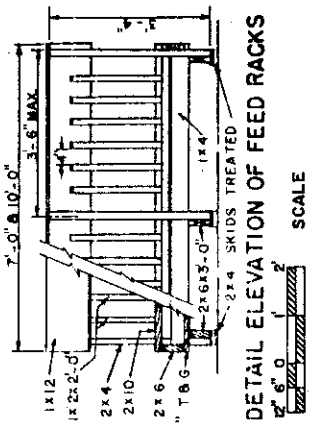
NOTE: THIS BUILDING IS DESIGNED FOR USE IN AREAS WHERE THE SNOW LOAD DOES NOT EXCEED 35 LBS. PER SQUARE FOOT AND WINDS ARE NOT ABOVE 76 MILES PER HOUR.



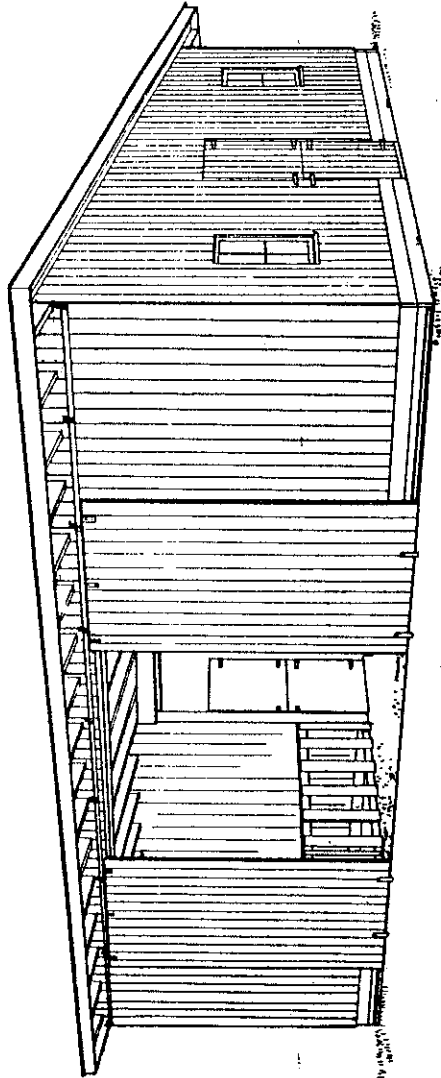
**HINGED PANELS FOR TEMPORARY LAMBING PENS**



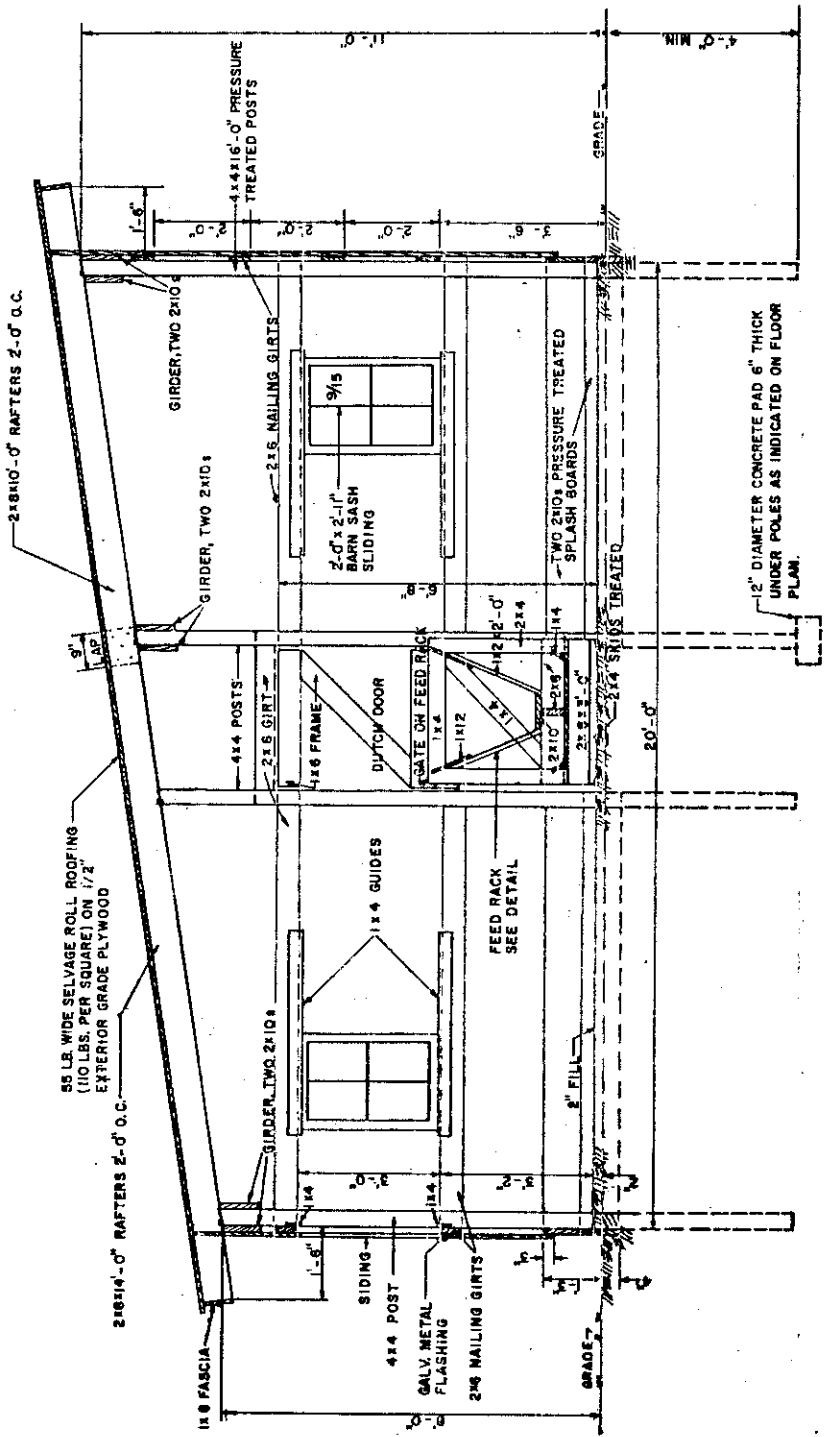
**NAILING DETAIL**  
NO SCALE



**DETAIL ELEVATION OF FEED RACKS**



**PERSPECTIVE VIEW OF COMPLETED SHED**

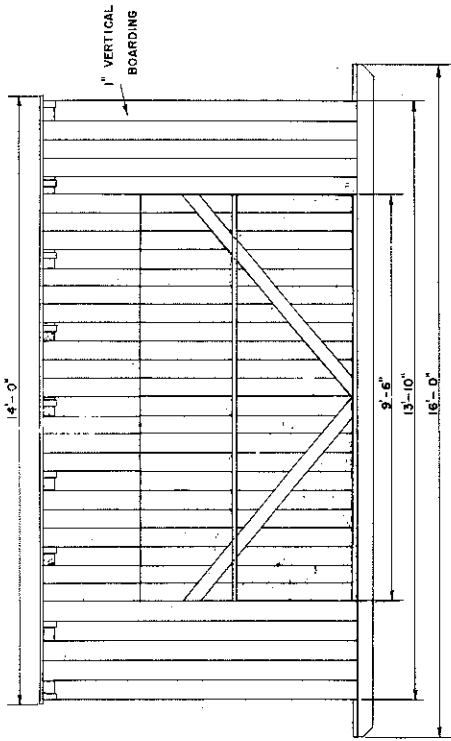


**SECTION A-A**

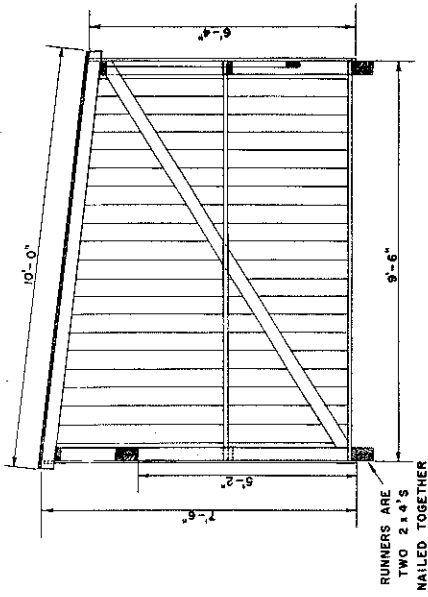


COOPERATIVE EXTENSION WORK IN AGRICULTURE AND HOME ECONOMICS  
The Pa. State University  
UNITED STATES DEPARTMENT OF AGRICULTURE  
**SHEEP AND LAMBING SHED**  
USDA 61 EX-5919 SHEET 2 OF 2  
REVISED '84 725-5919

RAFTERS SPACED  
20" APART

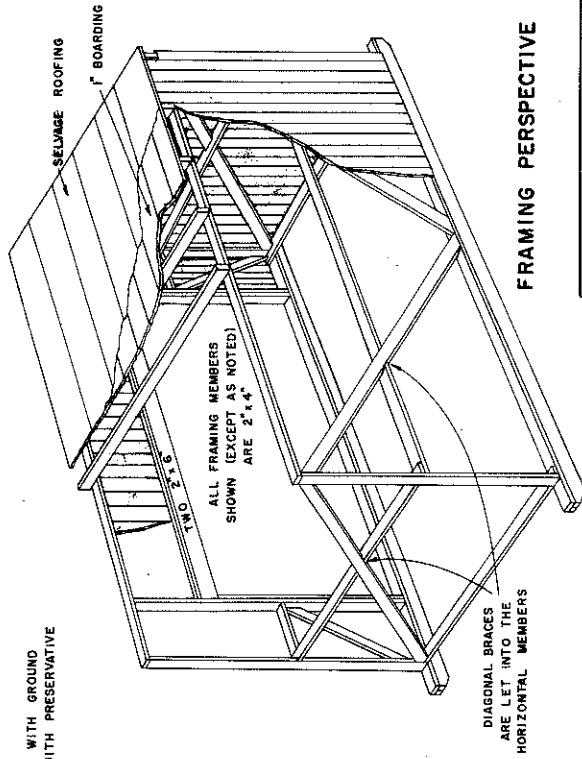


FRONT VIEW

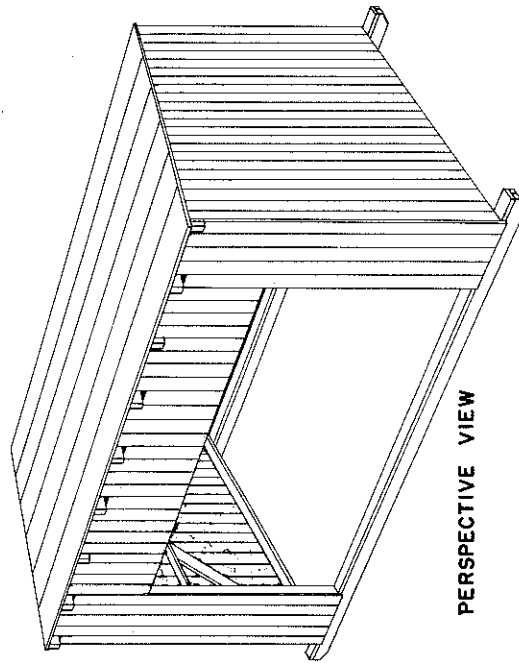


CROSS-SECTIONAL VIEW

NOTE:  
ALL WOOD IN CONTACT WITH GROUND  
SHOULD BE TREATED WITH PRESERVATIVE



FRAMING PERSPECTIVE



PERSPECTIVE VIEW

THE PENNSYLVANIA STATE UNIVERSITY  
AGRICULTURAL EXTENSION SERVICE

Portable Shelter

ORDER NO. SHEET 1 OF 1

725-01