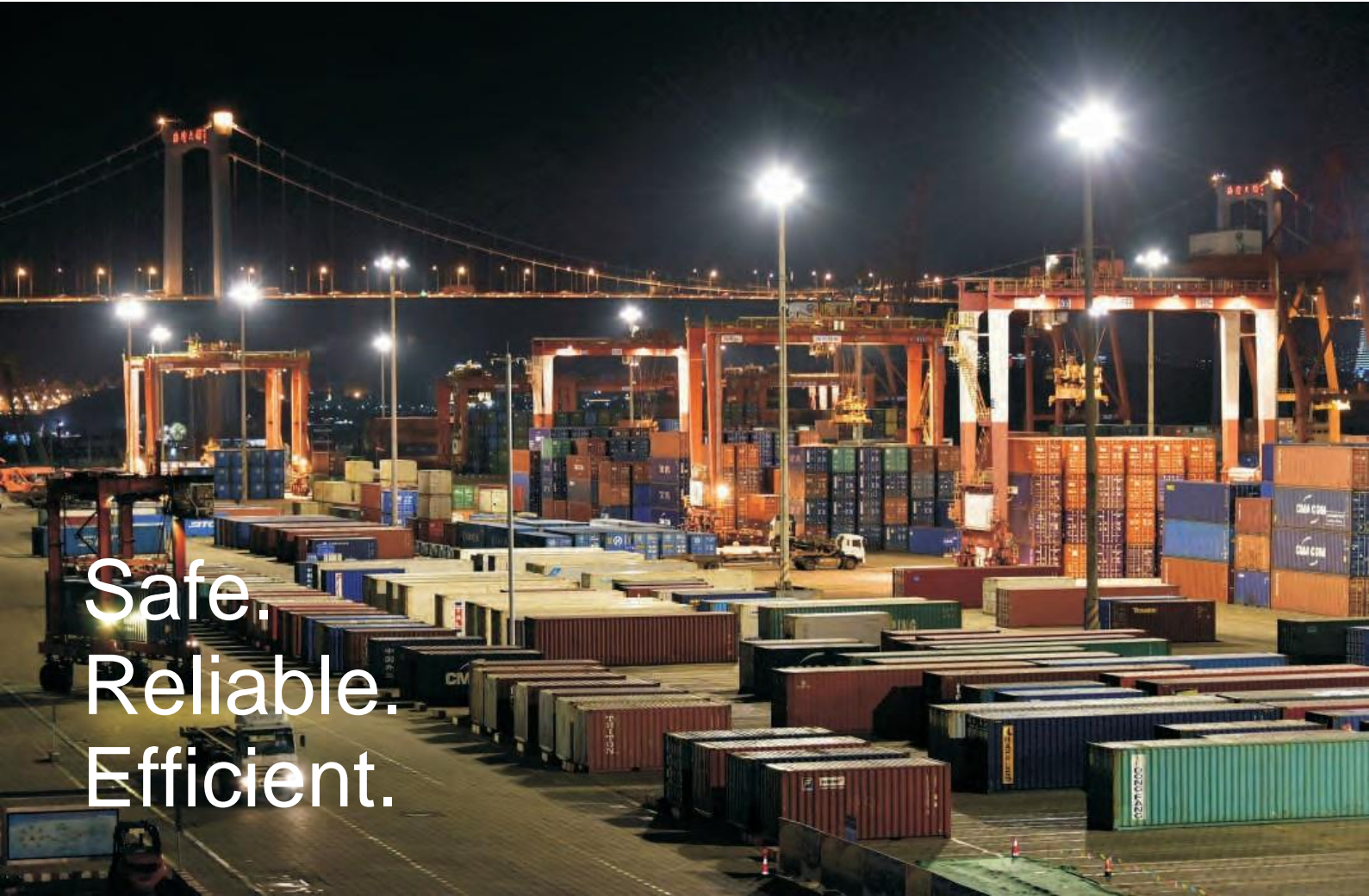


HAZARDOUS LOCATIONS LIGHT SPECIFICATION



B Series





Safe.
Reliable.
Efficient.

Ratings and Certifications

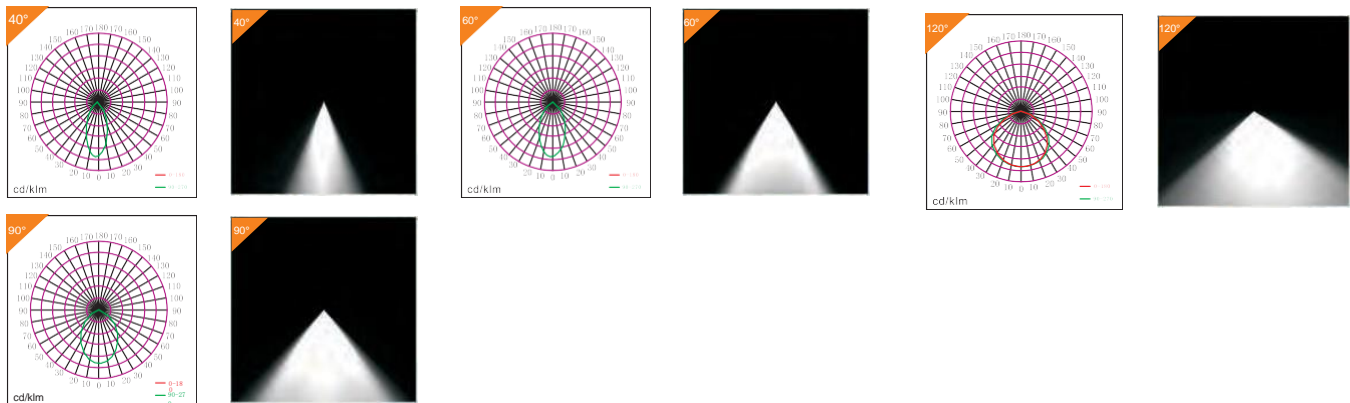
- NEMA 4X, IP66
- UL1598/UL1598A/UL844
- CSA C22.2 No.137/N o.250.0
- Class I, Division 2, Groups A, B, C, D
- Class II, Division 1, Groups E, F, G
- Class II, Division 2, Groups E, F, G
- Class III
- Marine and Wet Locations
- IECEX
- ATEX
- 5 years or other warranty period specified in agreement
- L70 rating for more than 150000 hours

Applications

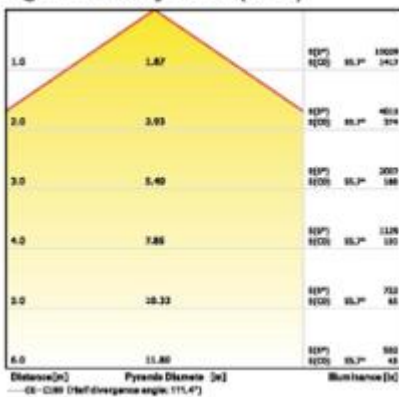
This luminaire can be used as flood light, wall pack and area light which can provide general illumination in hazardous locations, such as:

1. Oil refineries and Gas station
2. Oil and gasoline loading dock
3. Distillery
4. Painting manufacturing plant
5. Pumping station
6. Mine
7. Vessel
8. Other high humidity, high temperature, dusty location

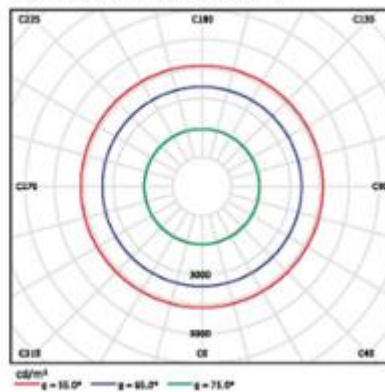
Professional Light Distribution



Light intensity curve(80W)



Plane illuminance curve



Typical model specification

Product Number	Wattage	Color Temperature	Voltage	Lumens	Working Hours	CRI
EX-20W B2YZDA	20	4000K-5700K	AC100-277V	2800	5 years	70
EX-40W B2YZDA	40	4000K-5700K	AC100-277V	5600	5 years	70
EX-60W BYZDA	60	4000K-5700K	AC100-277V or AC200-480V	8400	5 years	70
EX-80W BYZDA	80	4000K-5700K	AC100-277V or AC200-480V	11200	5 years	70
EX-100W B3YZDA	100	4000K-5700K	AC100-277V or AC200-480V	14000	5 years	70
EX-120W B3YZDA	120	4000K-5700K	AC100-277V or AC200-480V	16800	5 years	70
EX-150W B3YZDA	150	4000K-5700K	AC100-277V or AC200-480V	21000	5 years	70
EX-200W B3YZDA	200	4000K-5700K	AC100-277V or AC200-480V	28000	5 years	70

“B, B2, B3”=Product Series “Y”=D or N: Dimmable or non-dimmable “Z”=CCT, from 4000K-5700K “D”=Beam angle: 40°, 60°, 90°, 120°

Features

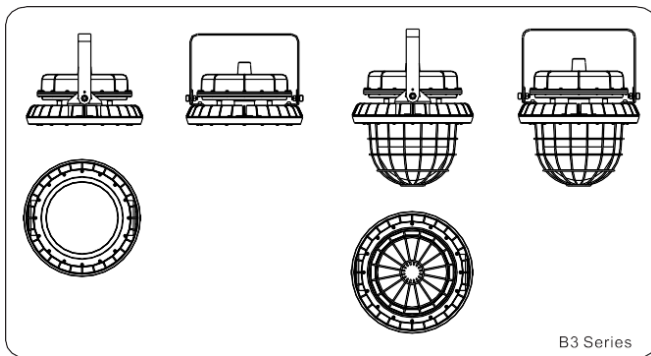
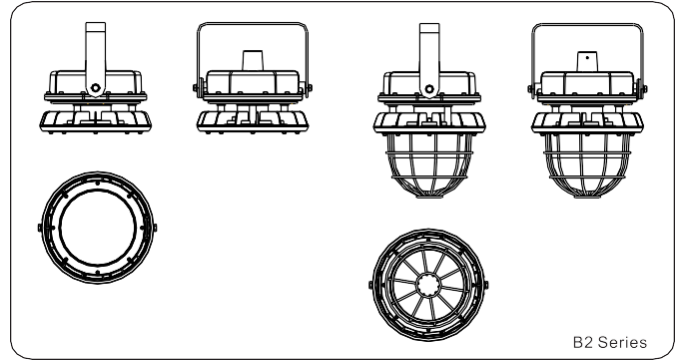
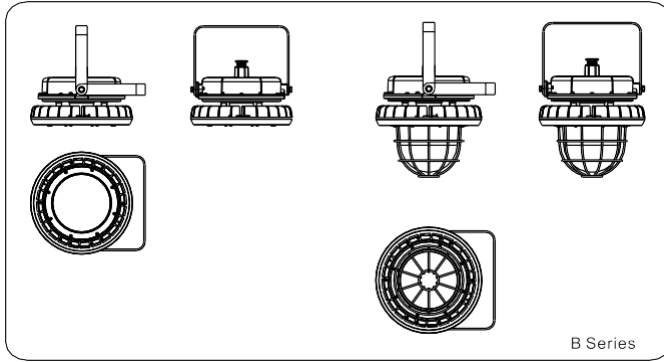
- High efficacy: up to 140lm/W
- CRI>70
- Surface mounting and pendant installation
- Wide and narrow optics for uniform illumination
- Copper free aluminum
- High vibration resistance

Hazardous Locations Light

Mechanical information

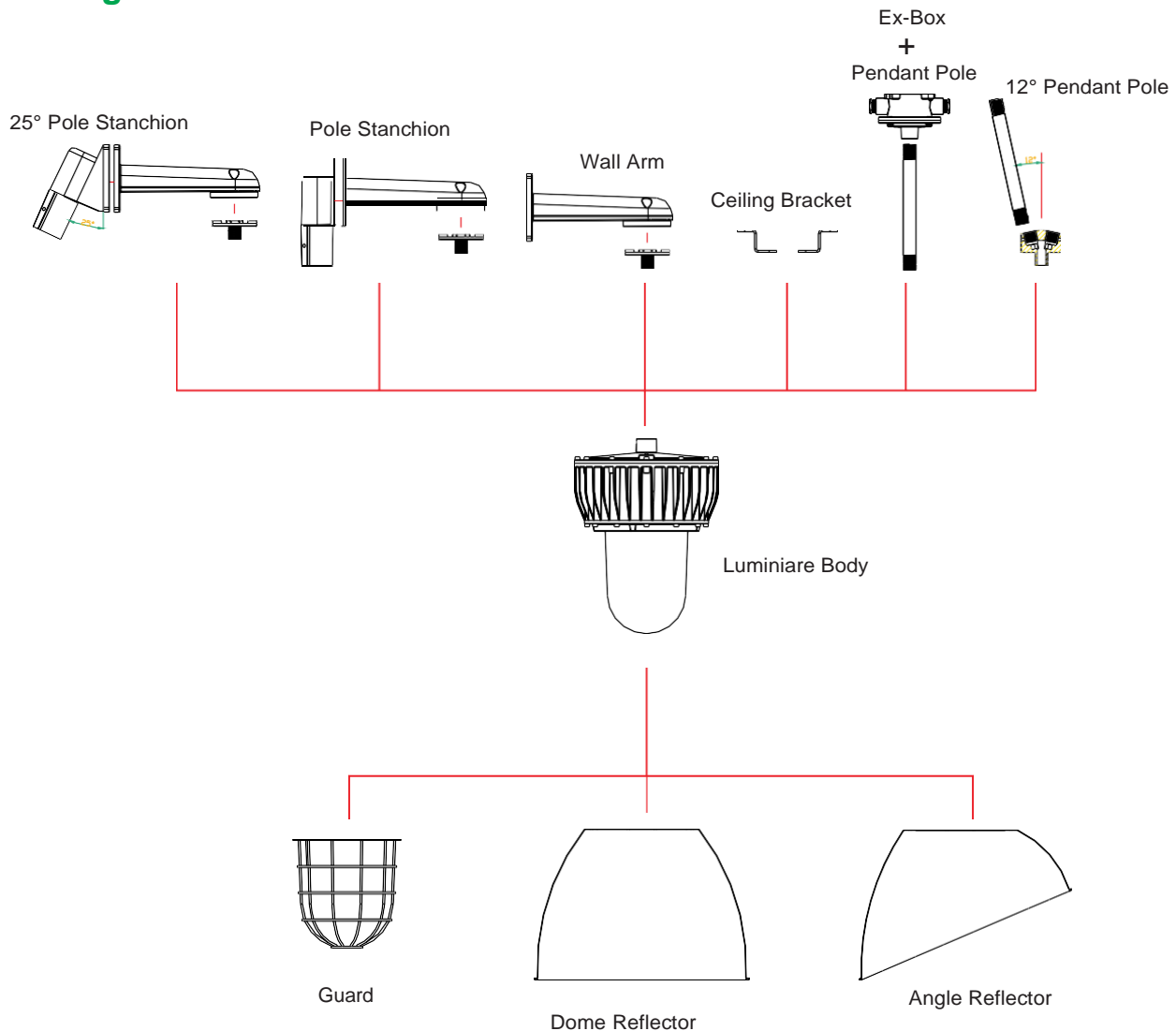
	B Size (in)	B2 Size (in)	B3 Size (in)
AC100-277V models	Ø 10.6×6.5/15.5	Ø 9.2 ×9/14	Ø 14. 6×11.4/18.8
AC200-480V models	Ø 10.6×6.5/15.5	Ø 9.2×9/14	Ø 14.6×11.4/18.8

Structure diagram



Hazardous Locations Light

Mounting methods



Adaptor	Conduit	Catalog No.
25° Pole Stanchion	3/4" or 1"	25 DPS
Pole Stanchion	3/4" or 1"	PS
Wall Arm	3/4" or 1"	WA
Ceiling Bracket	Expand Screw	CB
Pendant Pole	Use Ex-Box	PP
12° Pendant Pole	3/4" or 1"	12 DPP
Ex-Box	3/4"	EB

Warranty

- Only offer 5 year's warranty or any other warranty period specified in the contract for the product from the date of purchase:
- Invoice or shipment bill is required to claim the warranty.
 - The warranty policy only requires manufacturer to repair the defective product or send substitute for replacement.
 - Installation labor, electricity cost and other related cost will not be covered by the manufacturer warranty policy.
 - Warranty doesn't cover the defect caused by inappropriate use, especially if directions of the instructions for use are not observed, normal abrasion as well as failures which affect the value or use of the product insignificantly.