

E Series



Flat glass

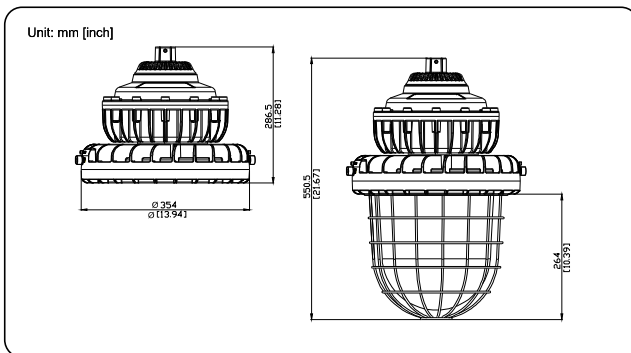
Spherical glass

Basic Data

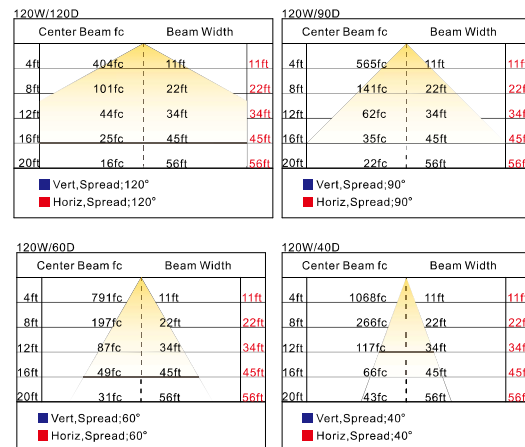
| Product Number | Wattage | Color Temp. | Voltage | Lumens | Warranty | CRI |
|----------------|---------|-------------|------------------|--------|----------|-----|
| EX-20W EYZDA | 20 | 4000K-5700K | 100-277/200-480V | 2800 | 5 years | 70 |
| EX-80W EYZDA | 80 | 4000K-5700K | 100-277/200-480V | 11200 | 5 years | 70 |
| EX-100W EYZDA | 100 | 4000K-5700K | 100-277/200-480V | 14000 | 5 years | 70 |
| EX-120W EYZDA | 120 | 4000K-5700K | 100-277/200-480V | 16800 | 5 years | 70 |
| EX-150W EYZDA | 150 | 4000K-5700K | 100-277/200-480V | 21000 | 5 years | 70 |

“E”=Product code, “Y”=D or N: Dimmable or non-dimmable “Z”= CCT, from 4000~5700K “D”=Beam angle, D40 for 40°, D60 for 60°, D90 for 90°, D120 for 120° A for glass info. blank for flat glass, C for spherical glass.

Dimensions



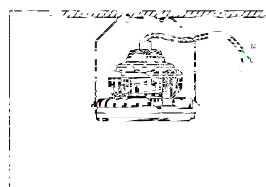
Lighting Distribution



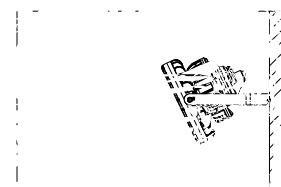
Approvals

| | |
|--|---|
| Marking Atex | II2 G Ex db IIC T6 Gb II2 D Ex db IIIC T80 Db IP66 |
| Marking IECEx | Ex db IIC T6 Gb Ex db IIIC T80 Db IP66 |
| Marking UL844 <small>(North American)</small> | Class I, Division 1, Groups C, D Class I, Division 2, Groups A, B, C, D Class II, Division 1, Groups E, F, G Class II, Division 2, Groups E, F, G Class III |
| Marine Marking | UL 1598A ABS and DNV Type Approved |
| Other Rating | IP 66 IK 10 |

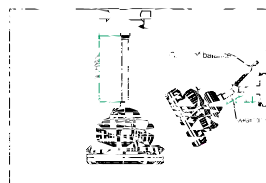
Installation



Ceiling bracket mounting

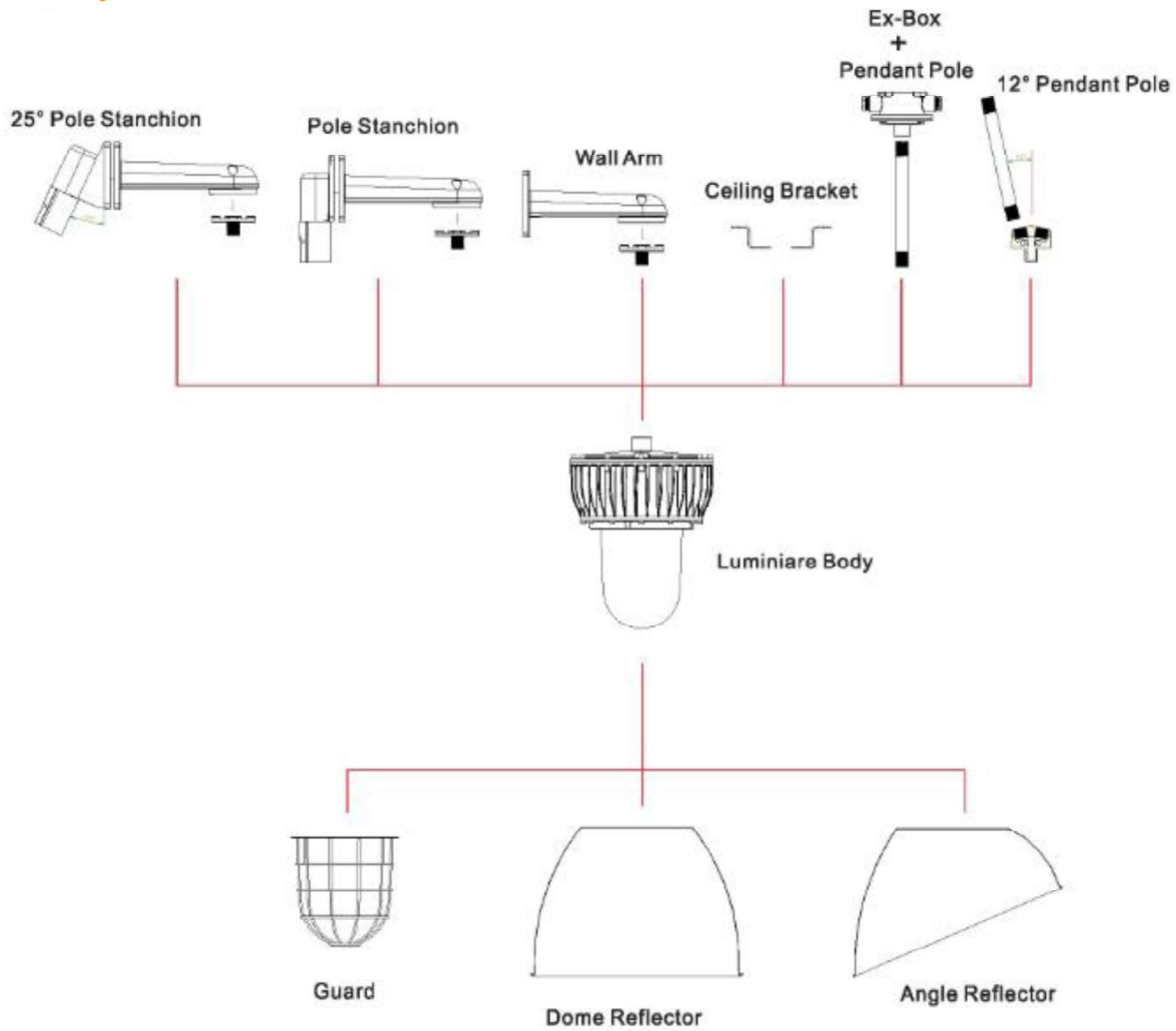


Wall bracket mounting



Pole mounting

Family Tree of Installation



| Adaptor | Conduit | Catalog No. |
|--------------------|--------------|-------------|
| 25° Pole Stanchion | 3/4" or 1" | 25 DPS |
| Pole Stanchion | 3/4" or 1" | PS |
| Wall Arm | 3/4" or 1 " | WA |
| Ceiling Bracket | Expand Screw | CB |
| Pendant Pole | Use Ex-Box | PP |
| 12° Pendant Pole | 3/4" or 1" | 12 DPP |
| Ex-Box | 3/4" | EB |