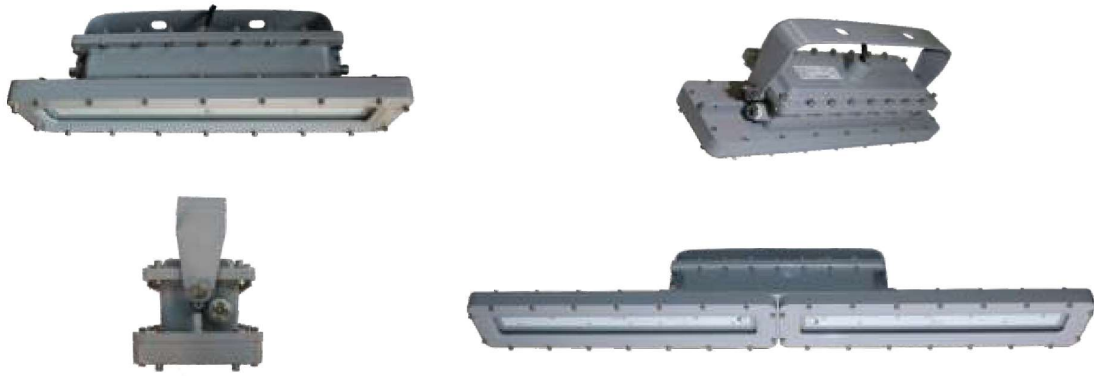


I Series

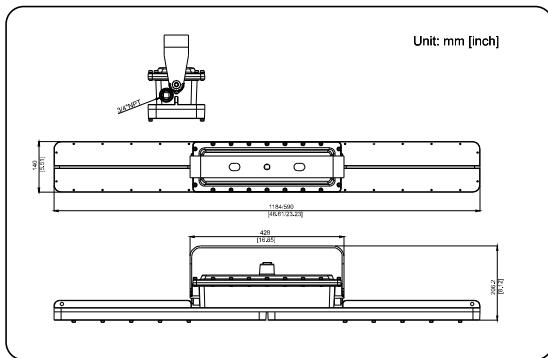


Basic Data

Product Number	Wattage	Color Temp.	Voltage	Lumens	Warranty	CRI
EX-20W I2YZDA	20	4000K-5700K	100-277/200-480V	2800	5 years	70
EX-30W I2YZDA	30	4000K-5700K	100-277/200-480V	4200	5 years	70
EX-60W I2YZDA	60	4000K-5700K	100-277/200-480V	8400	5 years	70
EX-80W I4YZDA	80	4000K-5700K	100-277/200-480V	11200	5 years	70
EX-120W I4YZDA	120	4000K-5700K	100-277/200-480V	16800	5 years	70

“I2, I4”=Product code, “Y”=D or N:Dimmable or non-dimmable “Z”= CCT, from 4000~5700K “D”=Beam angle, D40 for 40°,D60 for 60°,D90 for 90°, D120 for 120° A for glass info. blank for flat glass, C for spherical glass.

Dimensions



80W/120D

	Center Beam fc	Beam Width	
17ft	14fc	51ft	51ft
34ft	3fc	103ft	101ft
51ft	2fc	154ft	153ft
68ft	0.8fc	256ft	255ft
85ft	0.6fc	307ft	306ft

■ Vert, Spread; 120°
■ Horiz, Spread; 120°

Lighting Distribution

Approvals

Marking Atex	II2 G Ex db IIC T6 Gb II2 D Ex db IIIC T80 Db IP66
Marking IECEX	Ex db IIC T6 Gb Ex db IIIC T80 Db IP66
Marking UL844 (North American)	Class I, Division 1, Groups C, D Class I, Division 2, Groups A, B, C, D Class II, Division 1, Groups E, F, G Class II, Division 2, Groups E, F, G Class III
Marine Marking	UL 1598A ABS and DNV Type Approved
Other Rating	IP 66 IK 10

Installation

