

L Series

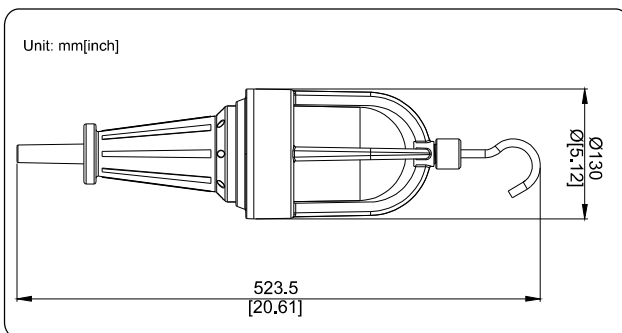


Basic Data


Product Number	Wattage	Color Temp.	Voltage	Lumens	Warranty	CRI
EX-5W LYZD	5	4000K-5700K	100-277/200-480V	650	5 years	80
EX-7W LYZD	7	4000K-5700K	100-277/200-480V	910	5 years	80
EX-9W LYZD	9	4000K-5700K	100-277/200-480V	1170	5 years	80

“L”=Product code, “Y”=D or N:Dimmable or non-dimmable “Z”= CCT, from 4000~5700K “D”=Beam angle, D40 for 40°,D60 for 60°,D90 for 90°, D120 for 120° A for glass info. blank for flat glass, C for spherical glass.

Dimensions



Approvals

Marking ATEX	 II2 G Ex db IIB T6 Gb II2 D Ex db IIIC T80 Db IP66
Marking IECEx	Ex db IIB T6 Gb Ex db IIIC T80 Db IP66
Marking UL844 (North American)	Class I, Division 2, Groups A, B, C, D Class II, Division 1, Groups E, F, G Class II, Division 2, Groups E, F, G Class III
Marine Marking	UL 1598A ABS and DNV Type Approved
Other Rating	IP 66 IK 10

Advantages

- 1, Extremely long lifespan.
- 2, High durability and reliability.
- 3, Low working wattage for energy saving.
- 4, Light weight and reasonable size.
- 5, High vibration and impact resistant.
- 6, Completed automatic control.
- 7, Lamp shield prevent shattering.
- 8, Aluminum housing.
- 9, Plugs into standard outlets.
- 10, Swivel hook for hanging and hands free operation.
- 11, Portable and be moved easily.
- 12, Hook to make installation extremely easy.
- 13, Battery back up for emergency situation.
- 14, Changeable light source and battery to make replacement super easy.

Notes

5W LED drop light is suitable for replacement at the locations with 60W to 100W traditional bulbs.

This explosion proof hand light operates on standard 120 Volts. This unit is available with either a 60-100 watt bulb for Class 1 Division 1 operation (Gases Vapors) or a 60 watt bulb for Class 2 division 1 operations (Dusts).