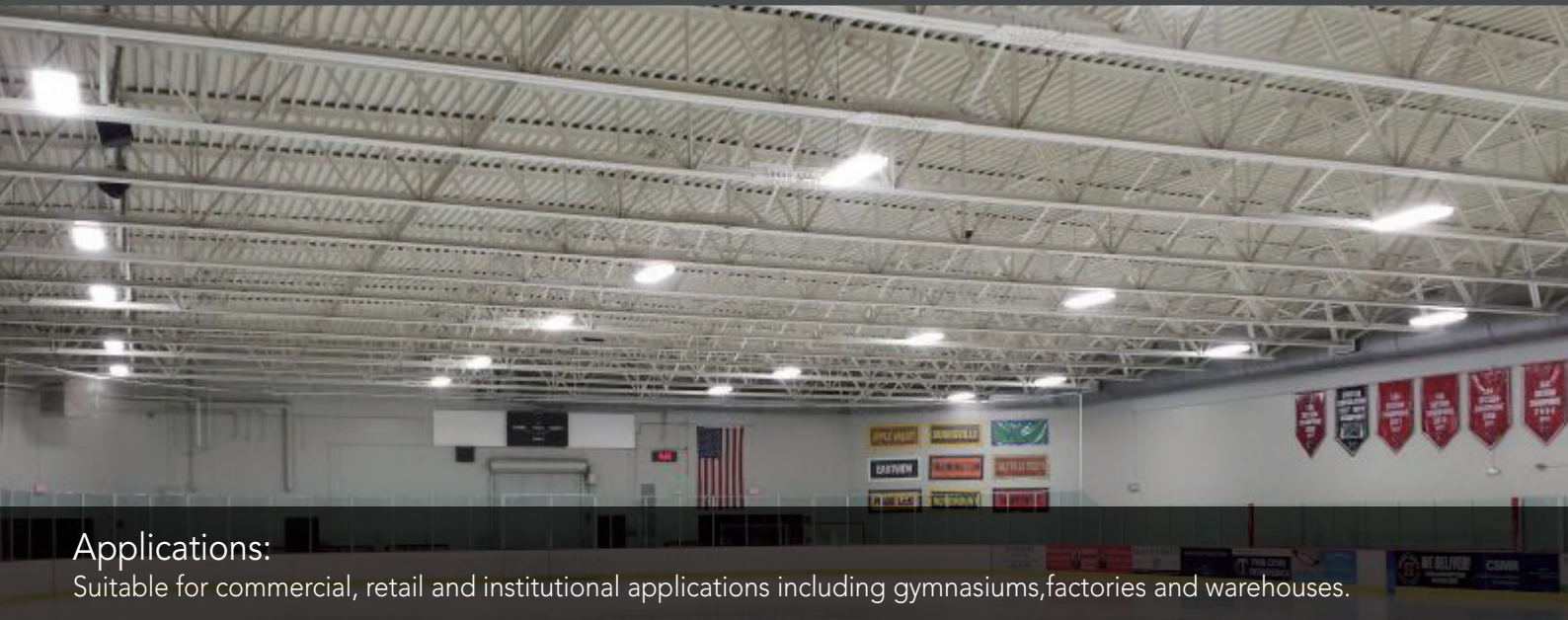


# MLH04 LED LINEAR HIGH BAY



## Applications:

Suitable for commercial, retail and institutional applications including gymnasiums, factories and warehouses.

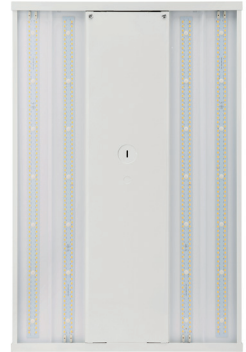
## Features

- Bright and comfortable light comes from a simple contour.
- Best choice for replacing fluorescent lamps with high efficacy.
- Voltage is 120-277V & 347-480V.
- Motion Sensor optional and supports Emergency Battery.
- Standard 1-10V dimming.
- Steel wire rope (default included), pendent or surface mounting available.
- Projected life span of 50,000 hrs.
- Operating temperature is -40°C to 55°C (-40°F to 131°F).

90W&130W



180W&210W



L130W&L180W



270W&300W&370W



### Housing

Advanced thermal management aluminum alloy with white coat finish. Suitable for pendent mount and Sling mount.

### Emergency Battery

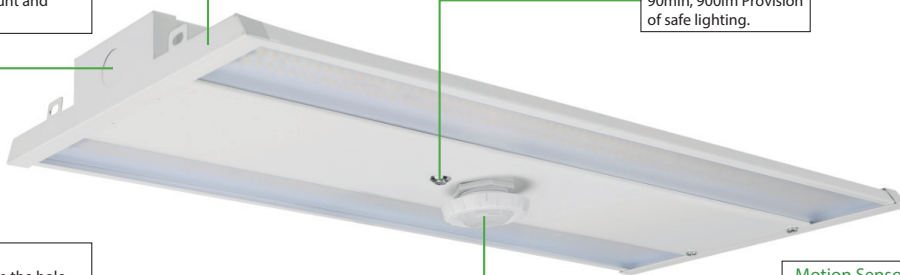
90min, 900lm Provision of safe lighting.

### Threaded Conduit

Support wires coming from the hole for easier wire connections.

### Motion Sensor

Optional motion sensor allows for security and energy saving.



# PERFORMANCE DATA

SYSTEM WATTS	VOLTAGE	4000K(CRI80)		5000K(CRI80)	
		LUMENS	LPW	LUMENS	LPW
90W	120-277VAC/347-480V	12600lm	140lm/W	12600lm	140lm/W
130W	120-277VAC/347-480V	18500lm	142lm/W	18500lm	142lm/W
180W	120-277VAC/347-480V	25200lm	140lm/W	25200lm	140lm/W
210W	120-277VAC/347-480V	29000lm	138lm/W	29000lm	138lm/W
L130W	120-277VAC/347-480V	18500lm	142lm/W	18500lm	142lm/W
L180W	120-277VAC/347-480V	24000lm	133lm/W	24000lm	133lm/W
270W	120-277VAC/347-480V	37000lm	137lm/W	37000lm	137lm/W
300W	120-277VAC/347-480V	41500lm	138lm/W	41500lm	138lm/W
370W	120-277VAC/347-480V	50500lm	136lm/W	50500lm	136lm/W

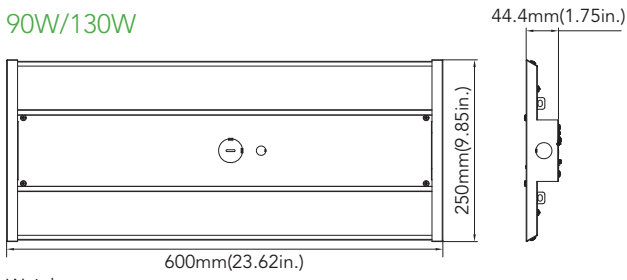
# ELECTRICAL DATA

Number Of Drivers	Driver Current (mA)	Nominal Power (W)	INPUT VOLTAGE (V)	CURRENT (Amps)
1	2400	90	120	0.75
		90	208	0.43
		90	240	0.38
		90	277	0.32
		90	347	0.26
		90	480	0.19
2	3300	130	120	1.08
		130	208	0.63
		130	240	0.54
	3200	130	277	0.47
		130	347	0.37
		130	480	0.27
2	4800	180	120	1.50
		180	208	0.87
		180	240	0.75
		180	277	0.65
		180	347	0.52
		180	480	0.38
2	5200	210	120	1.75
		210	208	1.01
		210	240	0.88
		210	277	0.76
		210	347	0.61
		210	480	0.44
2	3000	130	120	1.08
		130	208	0.63
		130	240	0.54
	3200	130	277	0.47
		130	347	0.37
		130	480	0.27
2	4800	180	120	1.50
		180	208	0.87
		180	240	0.75
		180	277	0.65
		180	347	0.52
		180	480	0.38
4	6520	270	120	2.25
		270	208	1.30
		270	240	1.13
	6400	270	277	0.97
		270	347	0.78
		270	480	0.56
4	7200	300	120	2.50
		300	208	1.44
		300	240	1.25
		300	277	1.08
	7400	300	347	0.86
		300	480	0.63
4	9600	370	120	3.08
		370	208	1.78
		370	240	1.54
		370	277	1.34
		370	347	1.07
		370	480	0.77

# DIMENSION

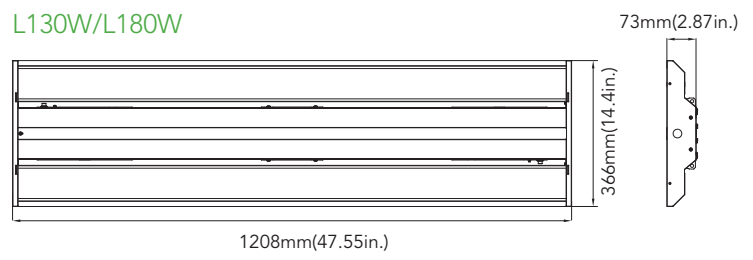
unit: inch/mm

## 90W/130W



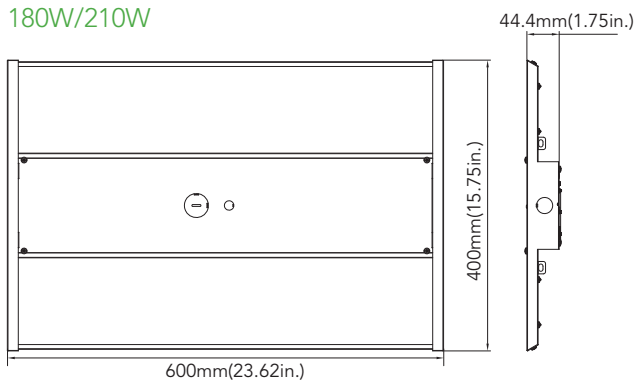
Weight  
 90W: 5.842 lbs  
 130W: 7.319 lbs

## L130W/L180W



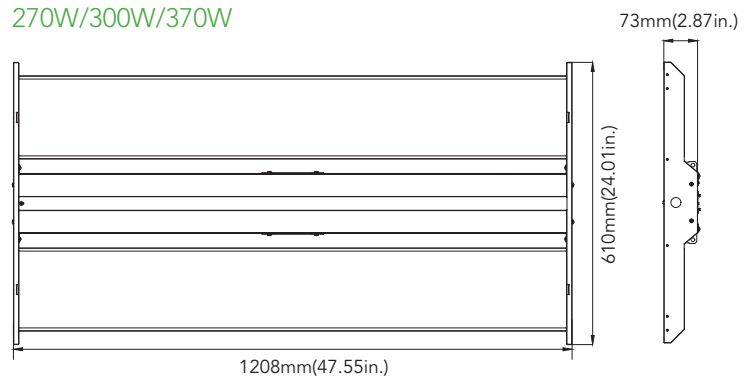
Weight  
 L130W: 13.91 lbs  
 L180W: 14.76 lbs

## 180W/210W



Weight  
 180W: 9.193 lbs  
 210W: 9.259 lbs

## 270W/300W/370W



Weight  
 270W: 22.46 lbs  
 300W: 22.49 lbs  
 370W: 22.50 lbs

# PHOTOMETRICS

