



VELdiligence.

Quality at work

Registered Address: No. 19, West street, Veeraswaram, Srirangam, Trichy-620 006, Tamilnadu, India.

Operating Address: No. 50, Vathalai, Manachanallur - Taluk, Trichy-621204, Tamilnadu, India

Company Overview

- Veldiligence is an engineering service company, Inaugurated on 29th August 2014 at Tiruchirappalli, Tamilnadu, India.
- We are providing end to end Engineering services in the following fields

Mechanical, Automobile, marine equipment, Agro machinery, sports equipment, process machinery, special purpose machineries and plastic enclosures for IOT products.



Mission

Using technologies enable the people's work & life most comfortable.



Services

- Special Purpose Portable Machine design development and Fabrication.
- Converting your imaginary concepts into working machine.
- Structural member design and fabrication.
- Lifting tool design and fabrication for installation / services with the required structural strength and safety.
- Casting components development.
- Cast flow analysis for pressure die casting components.
- Optimizing the existing design.
- Prototyping and testing.
- Cost reduction on fabricated and casting components.
- Metal to plastic/composite conversion.
- FEA supports.
- CAD Conversion projects etc.
- Creating parametric 3D models from scanned models using creo 2 software.
- Reverse Engineering.
- Rotating member design.
- Designing a member for fatigue and impact load cases.
- Kinematic designs



CAD Software

Creo 2 parametric – licensed

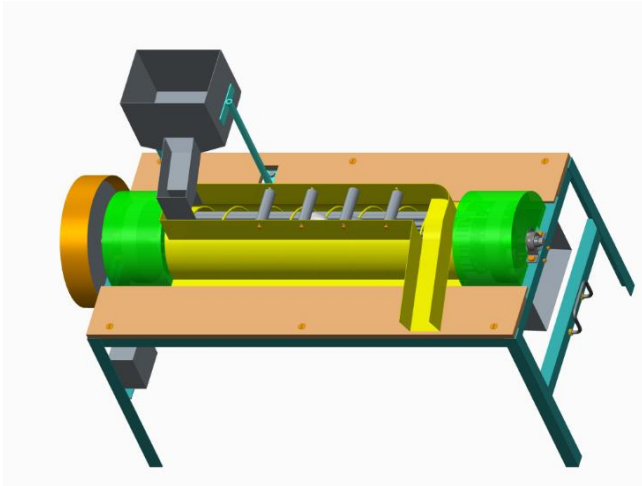
(Available module: part modeling, assembly, surface, sheet metal and detailing)

Output deliverables:

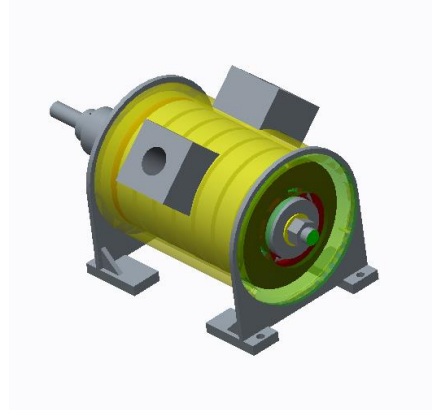
1. 3D files – Creo 2 format, any neutral format like iges, step etc. for FEA/3D print.
2. Detailed 2D drawings – creo 2 format and converted native to pdf and dxf format.
3. Physical component/Machine - Manufacturing will be outsourced and handover to customers.



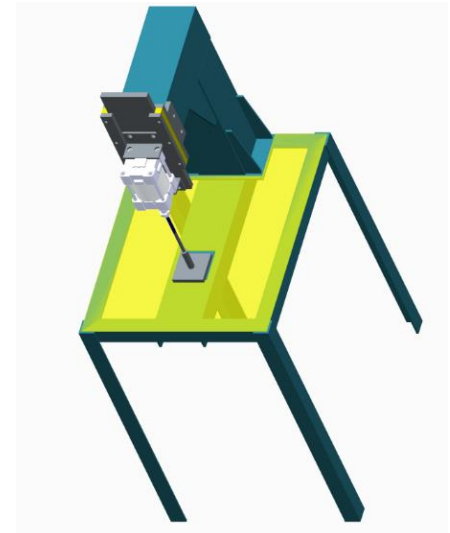
Portfolio -Industrial Projects



Special purpose food processing machine



TESLA Turbine (miniature)



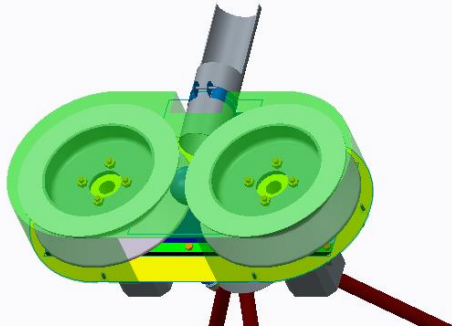
Clinching press



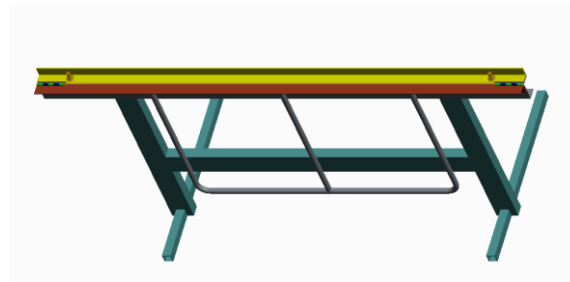
Oil press testing



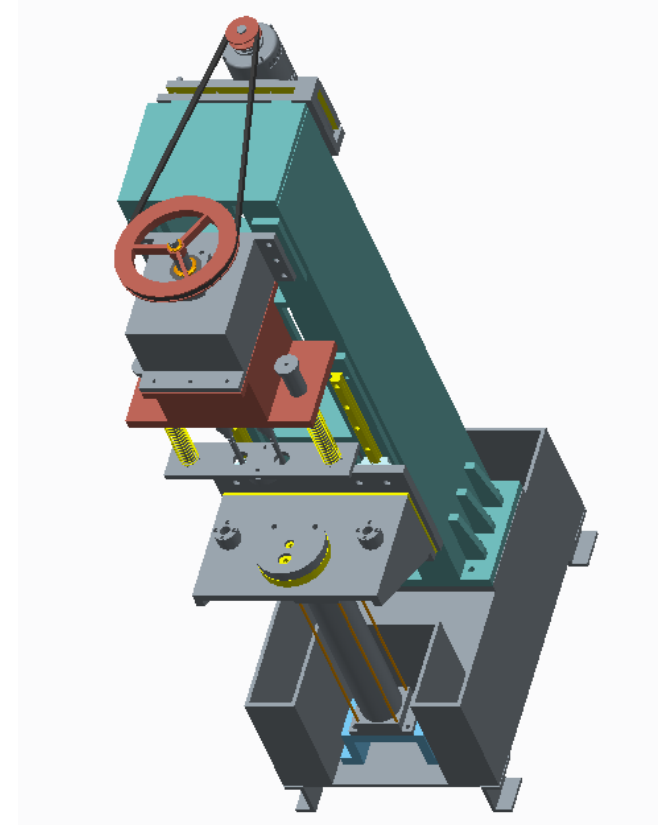
Portfolio -Industrial Projects



Ball throwing machine



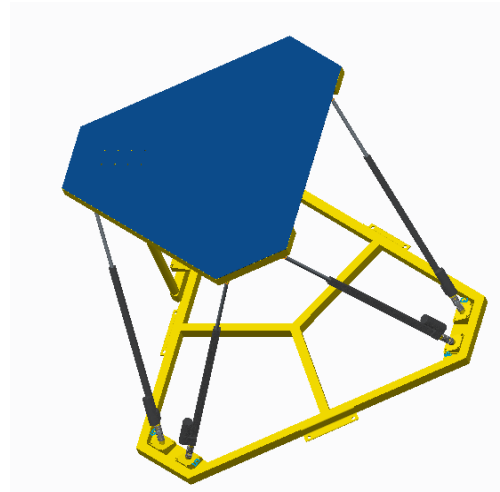
Bending fixture



Double drill machine



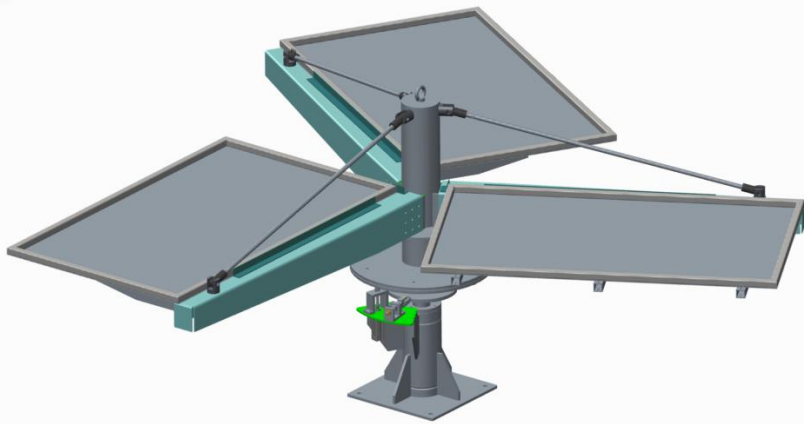
Door alarm
Outer plastic body



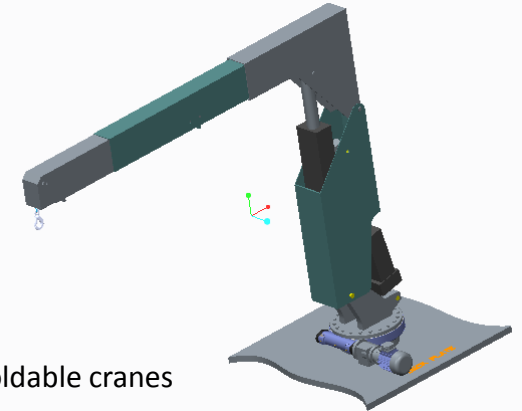
Stewart platform



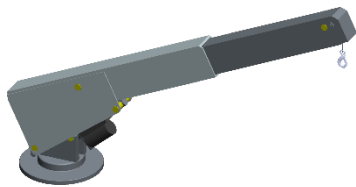
Portfolio -Industrial Projects



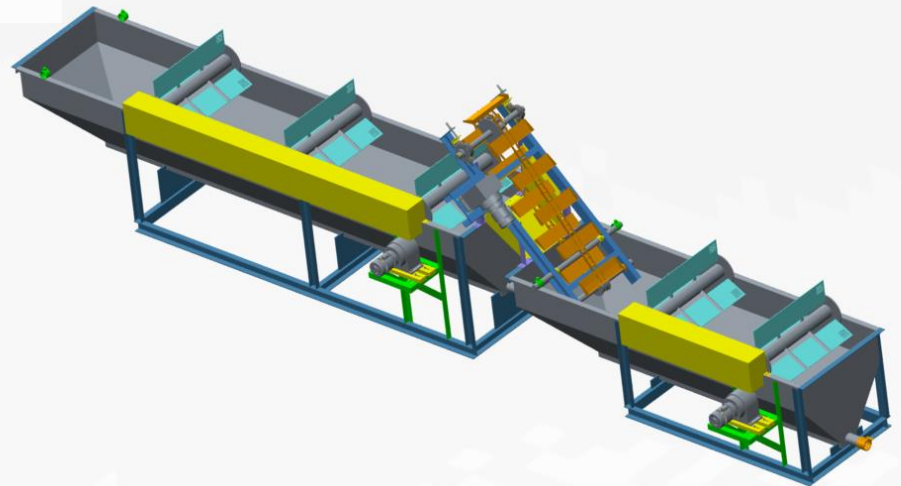
Rotating Tray – Each tray capacity 500kg



Foldable cranes



Foldable cranes



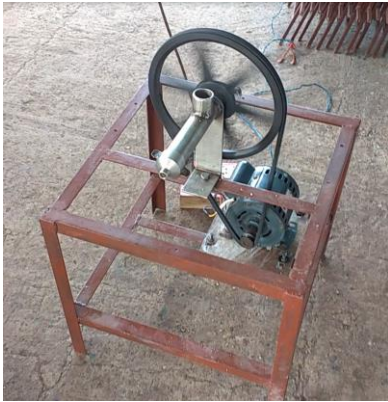
Floating tank – Recycling plastic washing



Prototypes



Prototypes



Company contact details

- Contact person: M. Saravanan
- Mobile Number: +91 9003025988
- Address: No. 50, Vathalai, Manachanallur - Taluk,
Tiruchirappalli-621204, Tamilnadu, India.
- Web: www.veldiligence.com
- Email: kmsaravanan1@gmail.com,
veldiligence@gmail.com,





Thank you