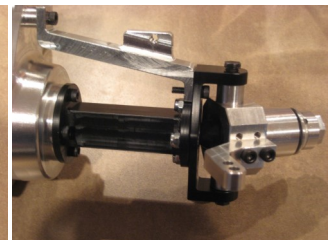
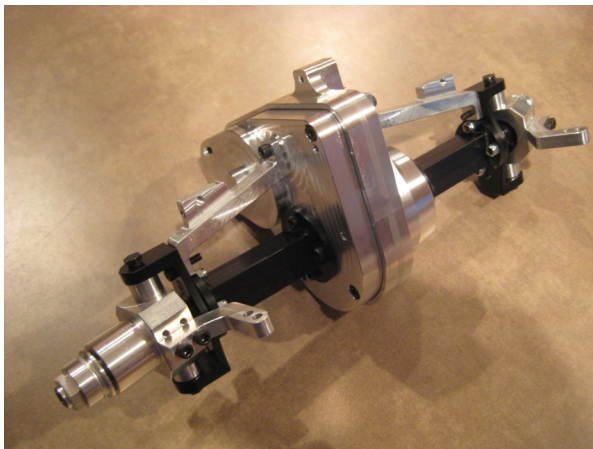


2022 PRODUCTS



All of our parts are CNC machined for a precision finished part. We specialize in custom parts that are no longer made or very hard to find. If you have a custom part you need made please contact us and we will give you a price to have it made.

Our parts are made from aircraft grade aluminum or black delrin.



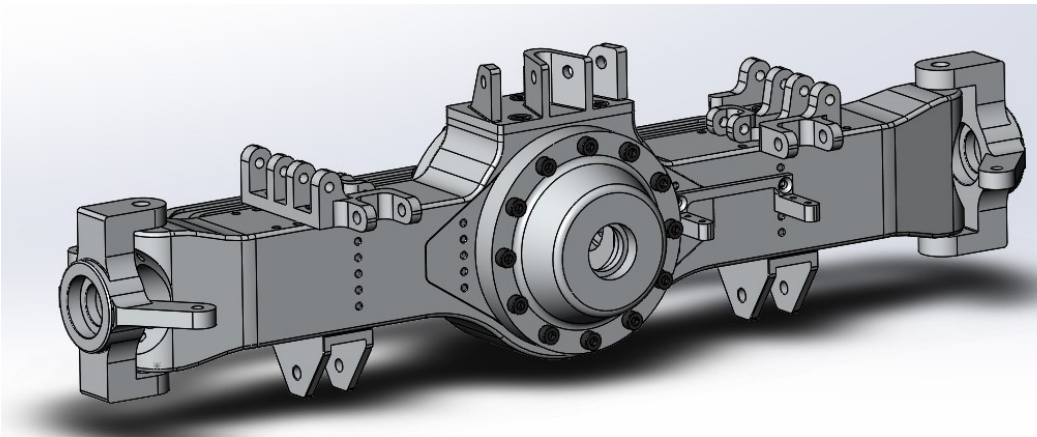
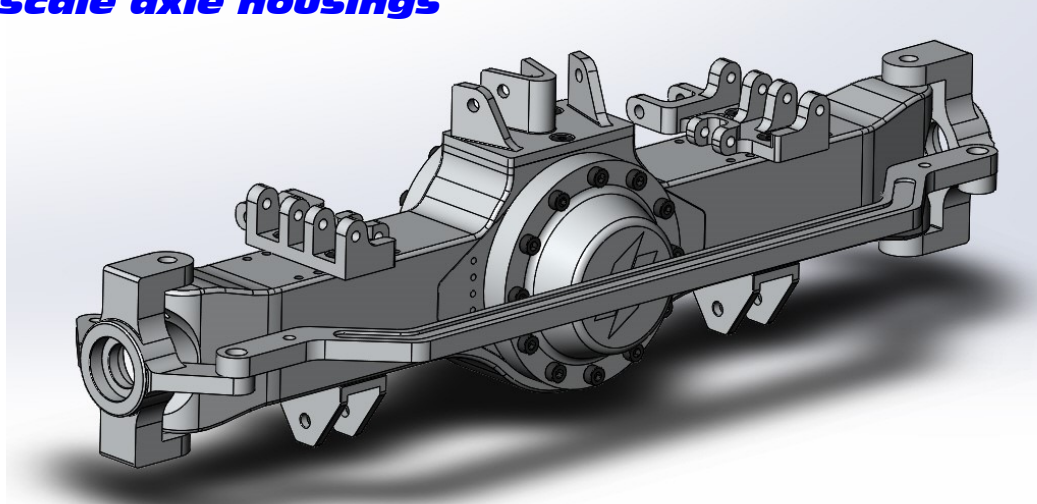
NOTE: the gearcases pictured above are old revision 1 gearcases
The purpose of these photos is to show the axle braces in assembly

● Product line for 2022, rev1 1-28-2022

2022 PRODUCTS



1/5 scale axle housings



1/5 scale axle housings

\$350.00 per axle

Uses Losi Desert Buggy XI internal parts.

Purchased separately.

Differential-LOS252004

Axles-LOS252018

Wheel Bearings- LOSB5972

Pinion gear-(LOS252008)(LOS257001)(LOS256001)

Phone: 320-453-2469

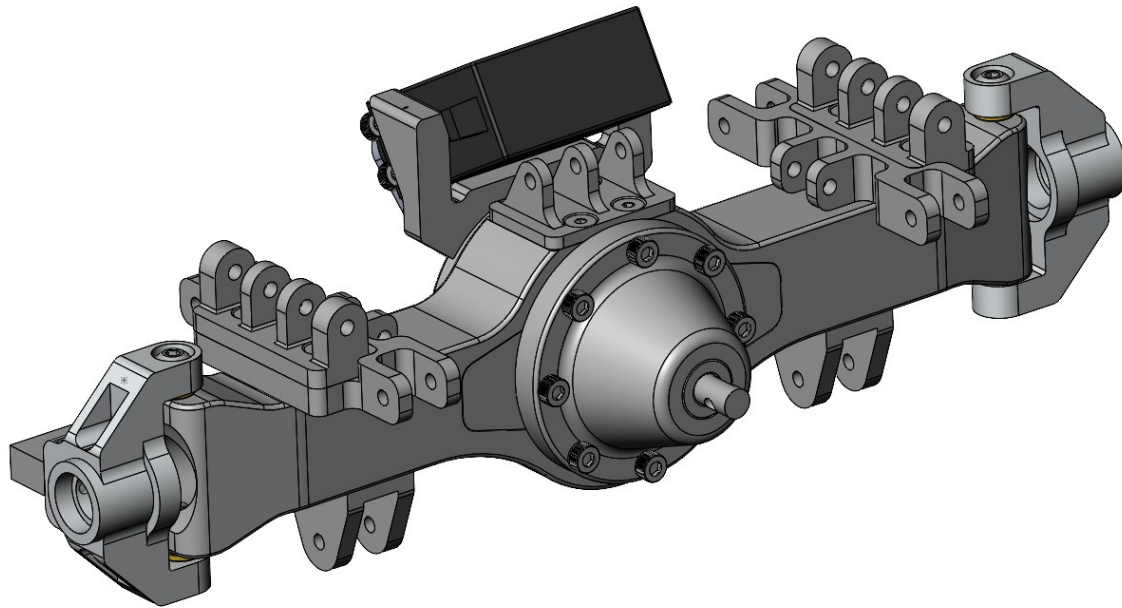
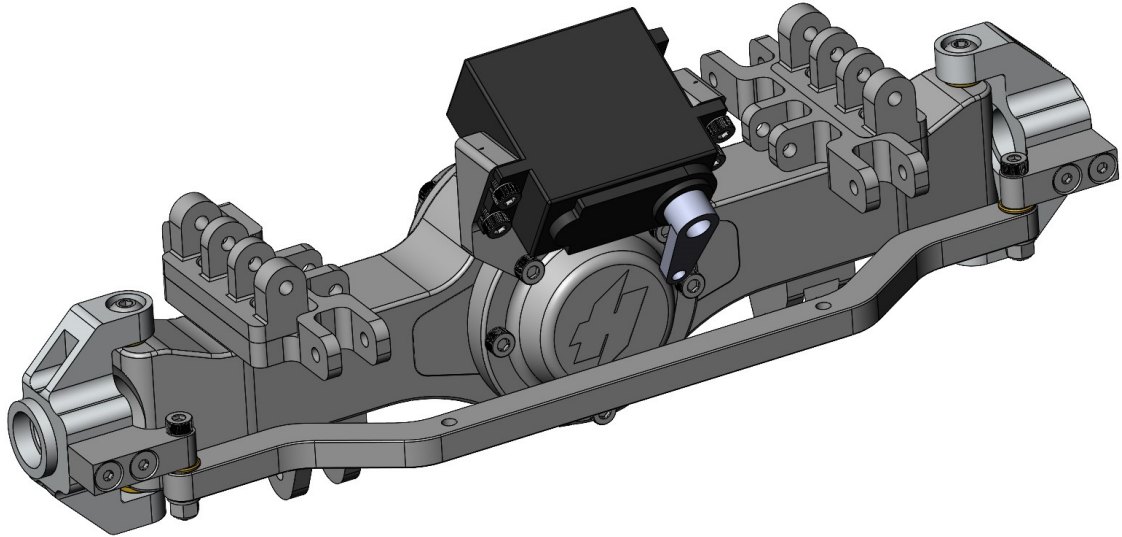
E-mail: michael.hesse@hessemachine.com

Losi LMT

2022 PRODUCTS



Coming Spring 2022
Losi LMT axle housings



Phone: 320-453-2469
E-mail: michael.hesse@hessemachine.com

2022 PRODUCTS



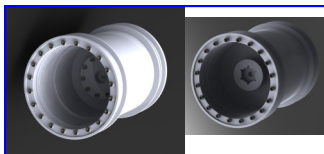
CLOD/TXT DRIVE HUBS
\$45.00/ SET OF 4



ALUMINUM GEARBOX/ PER AXLE
\$105.00 per axle



Aluminum front (steerable) axle Tube
2 piece design with replaceable "c"
hub
(1 pair) \$95.00



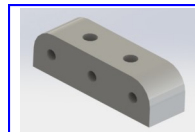
CLOD BEADLOCK WHEEL
(DYABLE NYLON)
\$75.00/PER WHEEL



Aluminum rear (lockout) axle Tube 3
piece design with replaceable hub
(1 pair) \$95.00



AXLE BRACES SET OF 4 (2SHORT,
2LONG)
\$50.00



TXT- MOUNTING BLOCK
\$32.00/PER SET OF 4



Steering knuckle (Includes 2 alumi-
num knuckles, and 2 arms, and 4
bearings)
\$65.00 a pair



Sway bar set-Contains 4 arms, 2
steel torsion bars and 4 Delrin bush-
ings.
\$50.00



Aluminum CVD / straight axle hex-
es- made from 7075 Aluminum,
set of 4 (12MM or 14MM available)
ALSO NOW AVAILABLE IN .250
OFFSET
\$35.00



Delrin front (steerable) axle Tube 2
piece design with replaceable "c" hub
(1 SINGLE TUBE ASSEMBLY)
\$70.50

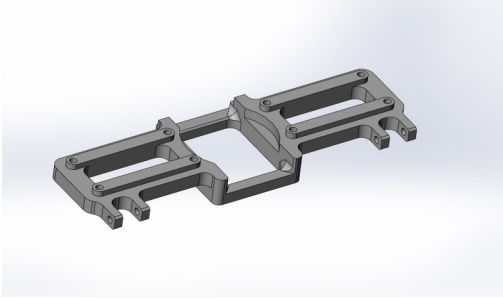


DELRIN REAR STRAIGHT AXLE TUBE
(1 SINGLE TUBE ASSEMBLY)
\$53.00



MORE CLOD/TXT PARTS COMING SOON

2022 PRODUCTS



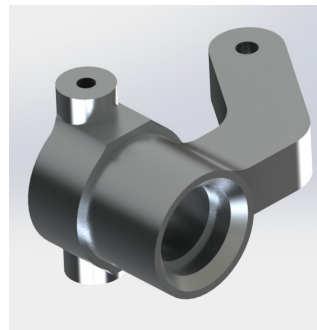
AXLE BRACE-\$95.00



MORE GROUND POUNDER
PARTS COMING SOON

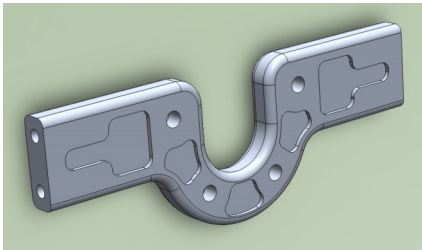


MOTOR MOUNT-\$32.00



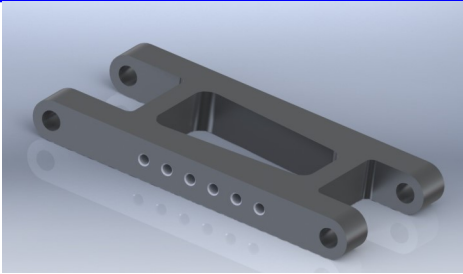
STOCK STEERING KNUCKLE-ALUMNUM
\$33.50/ each

Also available for clod buster wheels.

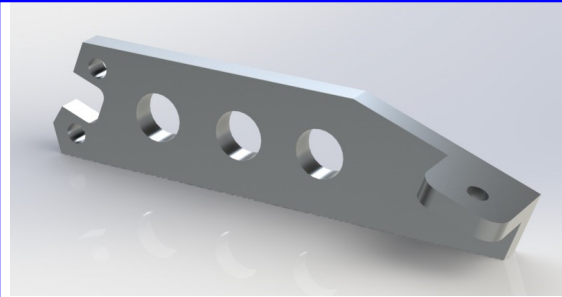


TRANSMISSION BRACE-\$24.00

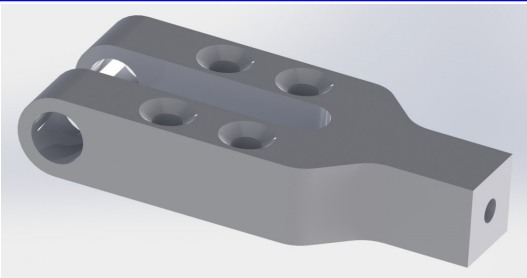
2022 PRODUCTS



USA-1 LOWER ARM—EXTENDED LENGTH
\$25.50



USA-1 CHASSIS BRACE
\$65 /SET OF 4



USA-1 UPPER ARM
\$15.75



USA-1 DRIVE HUBS—SET OF 4
\$35.50