



# T4-Flex

*Trading Turret Application for Trading Professionals*  
***DATASHEET***

THE HIGH-CAPACITY MOBILE APPLICATION FOR TRADERS



[WWW.IPTRADE-NETWORKS.COM](http://WWW.IPTRADE-NETWORKS.COM)



INTUITIVE TRADING

## Product Overview

IP Trade's T4-Flex Soft Trading Turret Application offers trading professionals a comprehensive, streamlined trading turret communications experience on any Windows 7, 8.1 and 10 device, maximizing flexibility and productivity.

Designed for flexibility, T4-Flex is deployed as a soft client application and features a high-capacity, customizable display with key telephony, hoot 'n holler and intercom channels on a single screen, so traders can easily monitor all of their activity and access contacts at the touch-of-a-button. The intuitive User Interface is easy to learn and can be tailored to the specific workflows and needs of trading teams and individuals.

The T4-Flex solution integrates seamlessly with the IP Trade T4 Turret suite and associated applications, allowing a user to log in to the turret or soft application without the need for external assistance, providing a powerful option for free seating, business continuity and mobility.



## Functional Overview

The T4-Flex is a fully-featured trading turret software client based on industry standard Microsoft Windows 7, 8.1 and 10 Professional Operating System.

Combined with handset, mouse, microphone and speaker peripherals, T4-Flex facilitates monitoring and control of call activity and rapid communications between traders, clients and counterparties.

## Collaboration and Productivity Features

The IP Trade T4-Flex is deployed as a native SIP endpoint to the customer unified communications (UC) architecture (Alcatel, Avaya and Cisco platforms are currently supported) with many standard collaboration features/functions and applications extensible to the T4-Flex.

## User Interface, Features and Benefits

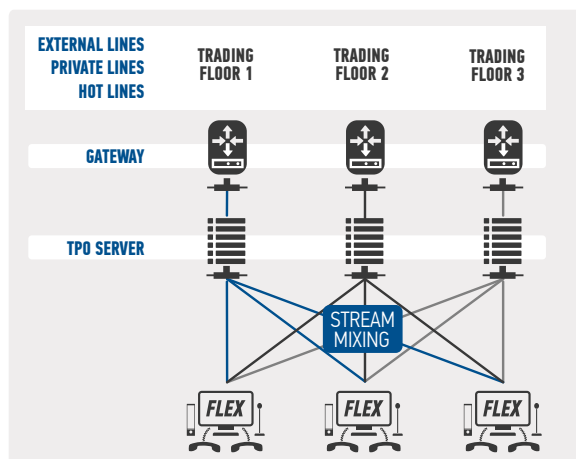
CAPABILITY	DESCRIPTION
<b>Media Streams</b>	Max. 5 simultaneous media streams (two handsets, 3 speakers)
<b>Audio Peripherals</b>	Headset-compatible, max. two handsets, microphone, speaker
<b>Line Appearances</b>	Max. 10,000 appearances/128 per page/64 viewable; unlimited pages, unlimited sharing
<b>Line Interfaces</b>	Can support SIP, PSTN, private line auto ringdown, manual ringdown, hoot n' holler
<b>Call Controls</b>	Hold/conference/transfer/mute/privacy/swap/merge/redial/floating keys
<b>Speaker Controls</b>	Individual, global volume controls, global/local muting options, voice activity detection
<b>UI Customization</b>	Differentiated ringtones, variable background/button colors, multiple font sizes/languages
<b>UI Productivity</b>	Corporate directories, simplified search, call history, favorites, speed dials, conferencing



## Trading Turret Application System Management Software

The T4-Flex Trading Turret solution comes with a powerful configuration, maintenance, security and database application called the Turret Support Server (TSS). Running on Windows 2012 and supporting high availability configuration options, The TSS is a browser-based application, offering a powerful administration and management tool that provides:

- T4-Flex Trading Turret configuration tools
- Monitoring, management and reporting tools
- Multi-level security and authentication capability
- System database repository
- Application integration functionality
- System software update/upgrade tools



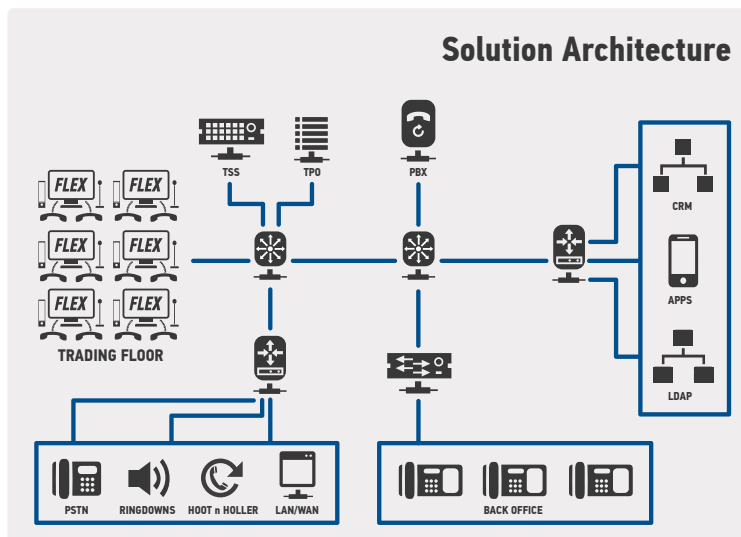
## System Prerequisites

- Alcatel, Avaya, Cisco unified communications platform (please check with a sales representative for currently supported models and software versions on each platform)
- IP Trade Turret Proxy Openline (TPO) and Turret Support Server (TSS) applications
- QoS-enabled Local Area Network

## Recording

IP Trade has an open architecture and standard application programming interface (API) enabling the solution to interoperate with media recording platforms. The company has an interoperability testing and certification program available to any IP media recording vendor (please check with a sales representative for current models and versions supported).

## Solution Architecture



## Media Processing Software Application

Each T4-Flex turret is connected to the IP Trade software-defined media processing application called the Turret Proxy Openline (TPO). The TPO is deployed as a virtual machine on industry standard servers in a scalable, high-availability cluster. The TPO behaves as a native extension to customer's unified communications architecture using standards-based Session Initiation Protocol (SIP) signaling. The TPO is integrated with leading unified communications and media recording platforms to meet the exacting requirements for flexibility, capacity, resilience, availability and scalability in critical communications environments.

## Workstation Requirements

- Operating System: Windows 7, 8.1 or 10, x64 Professional
- Video Monitor(s): 1024 x 768 resolution display or larger; 1920 x 1080 recommended
- DirectX 10-compatible graphics processor with a Windows Display Drive Model
- (WDDM) 1.1 driver, pixel shader 3.0 in hardware, and a minimum of 512MB of video RAM
- Touchscreen operation requires a monitor that supports multi-touch
- Processor: Dual Core i3/i5 3.0 GHz or faster processor
- Memory: 4GB
- Drive: 80GB or larger
- Network: 100/1000 Ethernet Connection Dual connections are required for link redundancy options





## About IP Trade

IP Trade is a pioneer in the design of advanced SIP (Session Initiation Protocol) communications and has established itself as a leading provider of ultra-reliable, high-capacity unified communications and collaboration (UC&C) solutions designed for environments where “always-on” instant communications capabilities are required.

IP Trade SA solutions are marketed under the IP Trade and IP Command brands and are used in a variety of industry sectors including: capital markets, commodities, government, healthcare, investment management, military, transportation and utilities. Applications include: Air traffic control, dispatch services, emergency services, financial trading, logistics, mission control, network operations, power transmission and public safety.

The company has its headquarters established in Belgium (Liege) and has offices in Asia, Europe and the USA and representation through partners in about 40 countries.

To learn more about IP Trade Solutions  
**Contact: [info@iptrade-networks.com](mailto:info@iptrade-networks.com)**  
or for more information  
**Visit: [www.iptrade-networks.com](http://www.iptrade-networks.com)**



### Belgium (Headquarters)

Liège Logistics,  
Rue de l'Aéropostale, 8  
4460 Grâce-Hollogne

Phone: + 32 4 364 04 69  
[info@iptrade-networks.com](mailto:info@iptrade-networks.com)

## IP Trade Offices

### London

6th Floor, Becket House,  
36 Old Jewry,  
London, EC2R 8DD

Phone: + 44 203 178 4448  
[info-uk@iptrade-networks.com](mailto:info-uk@iptrade-networks.com)

### Paris

19 Boulevard Malesherbes,  
75008 Paris

Phone: +33 1 55 27 37 57  
[info@iptrade-networks.com](mailto:info@iptrade-networks.com)

### New York

1500 Broadway  
Fifth Floor, Suite 505  
New York, NY 10036

Phone: 888 844 8440  
Fax: 212 361 0059  
[info-us@iptrade-networks.com](mailto:info-us@iptrade-networks.com)

### Frankfurt

Herriotstrasse 1,  
60528 Frankfurt

Phone: +49 69 661 629 70  
[info@iptrade-networks.com](mailto:info@iptrade-networks.com)

### Hong Kong

Room 1102  
Lee Garden One, 33 Hysan  
Avenue, Causeway Bay,  
Hong Kong

Phone: + 852 3959 8645  
[info@iptrade-networks.com](mailto:info@iptrade-networks.com)

[WWW.IPTRADE-NETWORKS.COM](http://WWW.IPTRADE-NETWORKS.COM)