



Germania Mutual Insurance Co.

CLEAR PHOTOGRAPHS & QUESTIONNAIRE **REQUIRED** FOR **EACH** INSTALLATION (UNITS & CHIMNEYS)

NAME	POLICY NO.
ADDRESS	BROKER
PHONE NO.	INSPECTED BY
	DATE

GENERAL INSTALLATION QUESTIONS

Are ashes from appliance disposed of in a non-combustible container? Yes No
 If no, explain: _____

Was unit installed by a certified heating contractor? Yes No
 Firm or individual: _____

Was chimney installed by a certified heating contractor? Yes No
 Firm or individual: _____

Does the furnace share a chimney flue with any other appliance? Yes No
 If yes, explain what other appliance: _____
 Which appliance has the lowest connection? _____

Does stove pipe pass through a concealed space? (eg. Closet, Attic, Floor, Wall) Yes No

Quantity of fuel used _____ Distance from unit to furniture, fuel, walls, _____

How often is chimney cleaned per heating season? _____ Date last Cleaned _____

Have any modifications been made to unit or chimney? Yes No
 If yes, explain _____

CHIMNEY INSPECTION

MASONRY

Shell Material _____ **Condition** _____
 Built from Ground Bracket

Foundation Type _____
Condition _____
Age _____

Chimney Crown Type _____
Condition _____

Flashing Type _____
Condition _____

Chimney Liner Type _____
 Liner size _____
 Height above crown _____

Chimney Breech or Thimble
 Material Type _____
 Condition _____

Wall Pass-through Type _____
 Condition _____

Clean-out Door Yes No
 Location _____

Clearances to Combustibles			Clearances to Combustibles		
	Required	Actual		Required	Actual
Vertical	36"	_____	Inside	2"	_____
Horizontal	10'	_____	Outside	1/2"	_____

Chimneys must extend 24" above obstacles within a horizontal distance of 10'

FACTORY-BUILT METAL

Manufacturer _____

Type _____ Model _____

Total Height _____ Flue Size _____

Inside _____ Outside _____ Age _____

Certified Yes No

Intermediate Support (wall support bands)

Adequate Yes No

Use of factory components Yes No

Condition _____

Roof Brace (required if chimney is over 60" above roof)

Required Yes No

Condition _____

Must be certified to ULC-S629M (650 degrees C.)

Rain Cap

Flashing

Chimney Support

Adequate Base Support Yes No

Adequate Ceiling Support Yes No

Use of factory components Yes No

Condition _____

Clearances above Roof

	Required	Actual
Vertical	36"	_____
Horizontal	10'	_____

Chimneys must extend 24" above obstacles within a horizontal distance of 10'

Clearance from Combustibles

	Required	Actual
	2"	_____

SPACE HEATERS/PELLET STOVES/COOK STOVES

Indicate Actual Clearances on Diagram (see over)

Building Appliance is installed in: Dwelling Garage Workshop Other _____

If in Dwelling, where? Main Floor Basement Porch Other _____

Manufacturer _____

Appliance Type _____

Model _____

Age _____

Is appliance: Certified? Yes No

Approved for Mobile Home? Yes No

If yes, Canadian Standards

Underwriters Laboratories of Canada

Warnock-Hersey Ltd. (CANADA)

Omni-Test Laboratories, Inc.

Indicate approved clearances (see label or installation manual)

Sides: _____" Front: _____" Back: _____"

Top: _____" Corner: _____"

Floor Protection Required:

Sides: _____" Front: _____" Back: _____"

NOTE: This section is for the sole use of the Manufacturers' approved clearances as indicated on the label or brochure. The "actual" clearances are to be shown on the following diagram.

ALL DISTANCES ON DIAGRAMS ARE TO BE MEASUREMENTS TAKEN FROM THE PARTICULAR INSTALLATION

NON SHIELDED INSTALLATION

Distance from top of stove to ceiling _____"

Describe construction of nearest side wall _____"

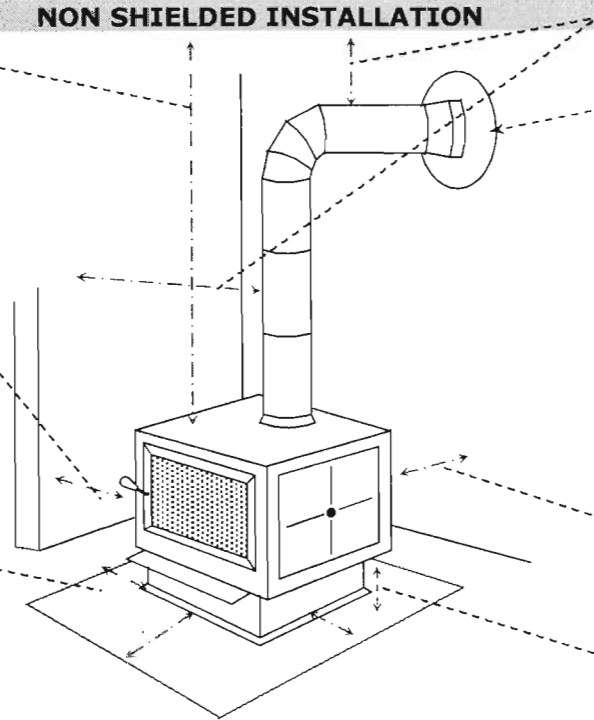
Distance from stove to nearest side wall _____"

Construction of Floor _____

Is there a non-combustible floor pad? Yes No

Type of floor protection. _____

Distance from end of floor protection to stove:
 Front _____"
 Side _____"
 Back _____"



Distance from stovepipe to: ceiling _____"; wall _____"

Is there a thimble/chimney connector where stovepipe passes through wall or ceiling. Yes No

Describe construction of ceiling _____

Describe construction of back wall. _____

Total length of stovepipe _____"

Construction of stovepipe

Galvanized Black Steel
 Single Wall Double-lined

Distance from stove to back wall _____"

Distance from bottom of stove to floor protection _____"

Describe construction of ceiling. _____

Distance from the top of stove to ceiling _____"

Describe construction of side wall _____

Type and thickness of shield _____

Distance from wall to shield _____"

Distance from front of stove to front of shield _____"

Distance from side of stove to wall behind shield _____"

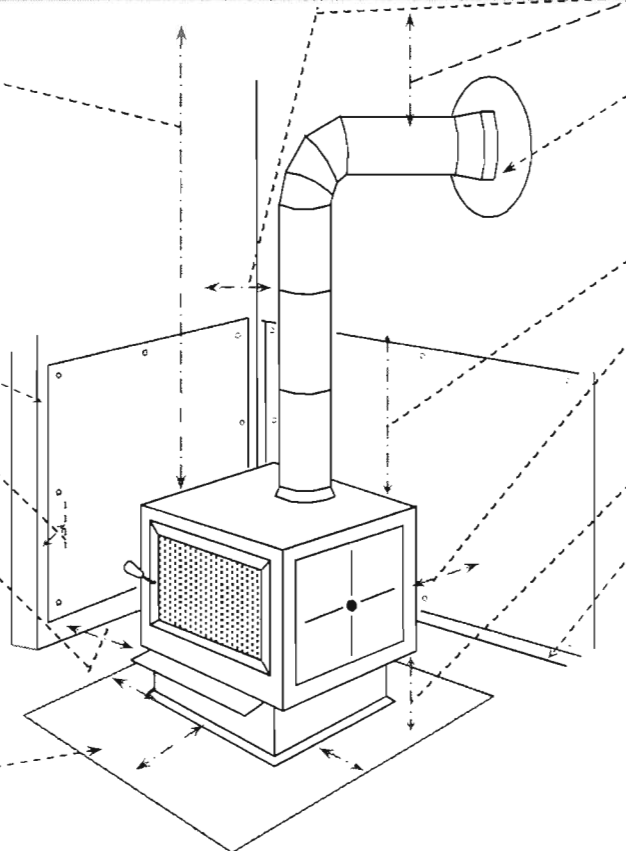
Construction of floor _____

Is there a non-combustible floor pad? Yes No

Type of floor protection _____

Distance from end of floor protection to stove.
 Front _____", Side _____"
 Back _____"

SHIELDED INSTALLATION



Distance from stovepipe to: ceiling _____"; wall _____"

Is there a thimble/chimney connector where stovepipe passes through wall or ceiling. Yes No

Describe construction of back wall _____

Distance from top of stove to top of shield _____"

Distance from back of stove to back of wall behind shield _____"

Construction of spacers. _____

Distance from bottom of stove to floor protection _____"

Distance from heat shield to floor _____"

Total length of stovepipe _____"

Construction of stovepipe

Galvanized Black Steel
 Single Wall Double-lined

Comments: _____

Completed by _____

Date _____

ALL DISTANCES ON DIAGRAMS ARE TO BE MEASUREMENTS TAKEN FROM THE PARTICULAR INSTALLATION

Distance from top of stove to ceiling _____"

Describe construction of nearest side wall _____.

Distance from closest corner of stove to left side wall, _____"

Construction of Floor _____

Is there a non-combustible floor pad? Yes No

Type of floor protection. _____

Distance from end of floor protection to stove:
Front _____"
Side _____"
Back _____"

**CORNER INSTALLATION
Non-Shielded**

Distance from stovepipe to: ceiling _____"; wall _____"

Is there a thimble/chimney connector where stovepipe passes through wall or ceiling.
 Yes No

Describe construction of ceiling _____

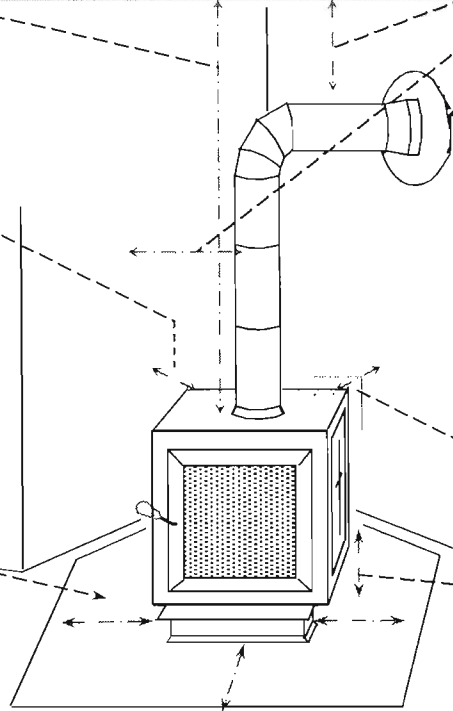
Describe construction of back wall. _____

Total length of stovepipe _____"

Construction of stovepipe
 Galvanized Black Steel
 Single Wall Double-lined

Distance from closest corner of stove to right side wall _____"

Distance from bottom of stove to floor protection _____"



Describe construction of ceiling. _____

Distance from the top of stove to ceiling _____"

Describe construction of side wall _____.

Type and thickness of shield _____

Distance from wall to shield _____"

Distance from front of stove to front of shield _____"

Distance from side of stove to wall behind shield _____"

Construction of floor _____

Is there a non-combustible floor pad? Yes No

Type of floor protection _____

Distance from end of floor protection to stove.
Front _____", Side _____"
Back _____"

**CORNER INSTALLATION
Shielded**

Distance from stovepipe to: ceiling _____"; wall _____"

Is there a thimble/chimney connector where stovepipe passes through wall or ceiling.
 Yes No

Describe construction of back wall _____

Distance from top of stove to top of shield _____"

Distance from closest corner of stove to back of wall behind shield. _____"

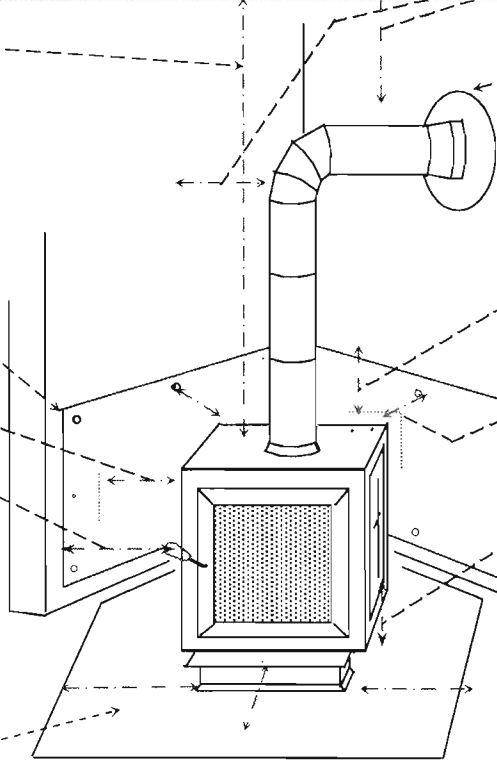
Construction of spacers. _____

Distance from bottom of stove to floor protection _____"

Distance from heat shield to floor _____"

Total length of stovepipe _____"

Construction of stovepipe
 Galvanized Black Steel
 Single Wall Double-lined



Comments: _____

Completed by _____ Date _____

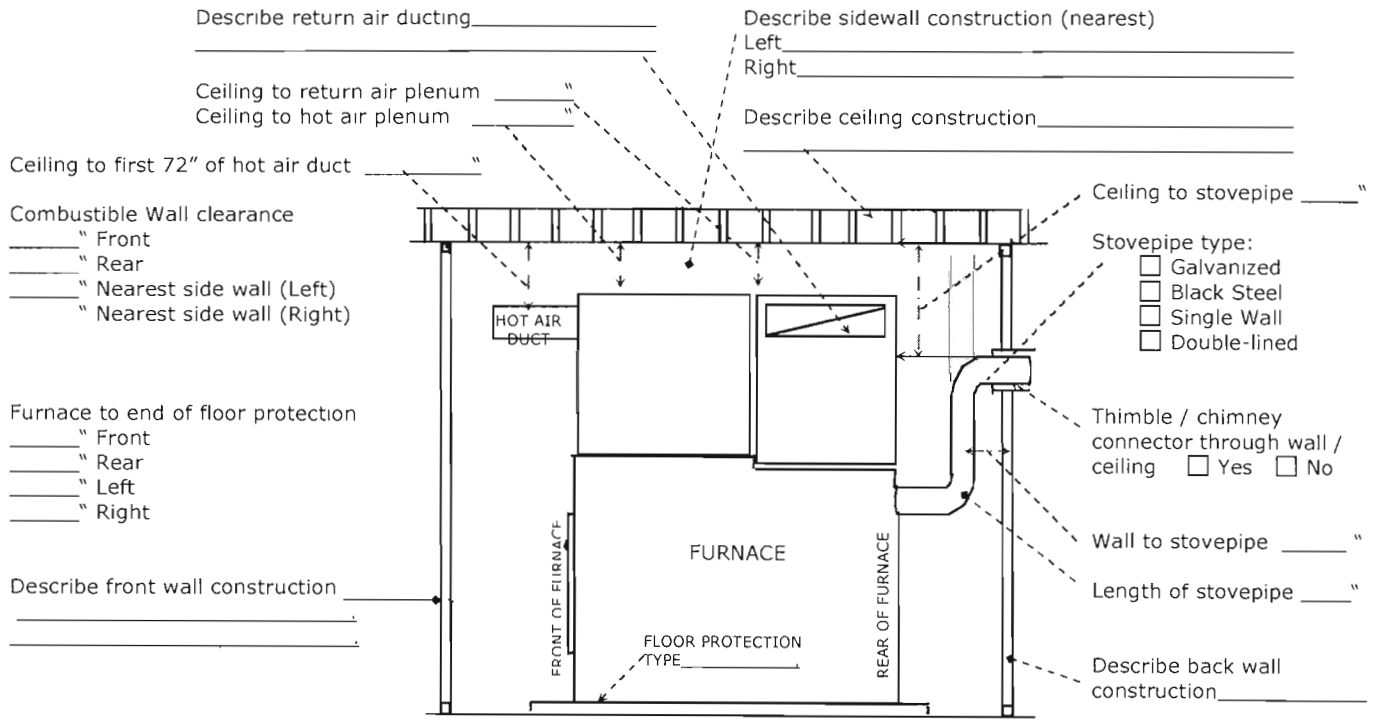
CENTRAL HEATING FURNACES / ADD-ON

WOOD BURNING APPLIANCE:

Building Appliance is installed in: Dwelling Garage Workshop Other _____
 If in Dwelling, where? Main Floor Basement Porch Other _____
 Manufacturer _____ Appliance Type _____
 Model _____ Age _____
 Is appliance: Certified? Yes No
 If yes, CSA Canadian Standards ULC Underwriters Laboratories of Canada
 Warnock-Hersey Ltd. (CANADA) Omni-Test Laboratories, Inc.
 If appliance is an "Add-On":
 Is it approved for use with existing furnace? Yes No
 Is the furnace installed downstream between hot air outlet of original furnace and it's distribution ducts? Yes No

<p>Indicate <u>approved</u> clearances (see label or installation manual)</p> <p>Sides: _____" Front: _____" Back: _____" Above Hot Air Plenum: _____" Above First 6' of Hot Air Ducting: _____"</p> <p>Floor Protection Required:</p> <p>Sides: _____" Front: _____" Back: _____" Fueling Door End: _____"</p>	<p>NOTE: This section is for the sole use of the Manufacturers' approved clearances as indicated on the label or installation instructions. The "actual" clearances are to be shown on the diagram below.</p>
--	--

Indicate Actual Clearances on the Diagram Below:



NOTE: IF WOOD FURNACE IS AN ADD-ON, IS THE FURNACE INSTALLED (DOWNSTREAM) BETWEEN HOT AIR OUTLET OF ORIGINAL FURNACE AND IT'S DISTRIBUTION DUCTS. Yes No

NOTE: ALL DIMENSIONS SHALL BE SUPPLIED IN INCHES.

COMMENTS: _____

