

TS-C Series Chromatic Confocal Displacement Sensor



CP Series Controller Product Parameter



(CPS)



(CPD)

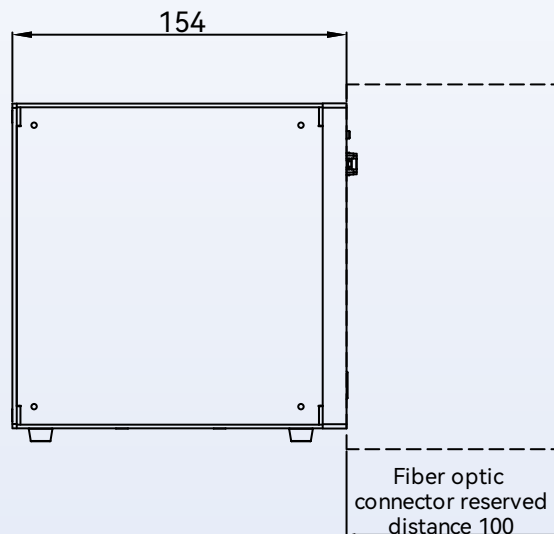
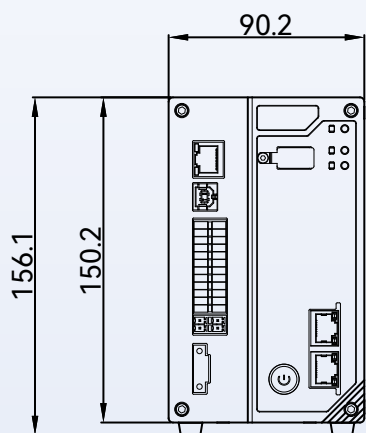


(CPF)

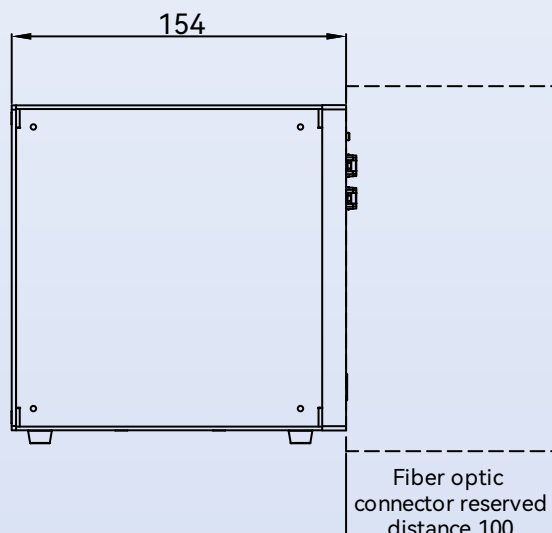
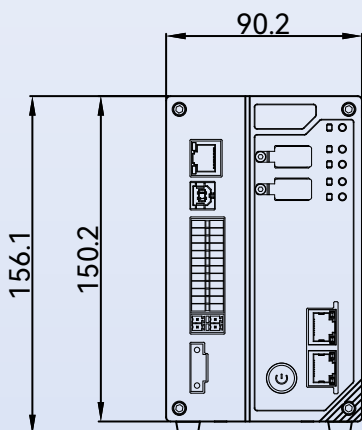
Model		TS-CPS / TS-CPS-L	TS-CPD / TS-CPD-L	TS-CPF
Head Connection Capacity		1	2	4
Sample Frequency		1 Channel: Max.32 kHz; 2 Channel: Max.16 kHz; 4 Channel: Max.8 kHz		
Input Port	Encoder Input	AB / ABZ encoder input, configurable for trigger		
	Trigger Signal Input	Pulse / Level trigger		
Output Port	Digital Signal Output	Alarm output, comparator output (Configurable as comparator output or data invalid warning)		
	Analog Signal Output	Linear ± 10 V analog voltage output / 4~20 mA analog current output (Optional)		
Industrial Interface	Ethernet	100BASE-TX		
	USB	USB2.0 High-speed (480Mbps)		
	RS-485	Modbus protocol, 19200~115200 baud rate		
	EtherCAT	Optional		
Measurement & Control Software	Host Computer Software	TSConfocalStudio measurement & control software		
	SDK	C++&C#SDK		
Rated Power	Supply Voltage	24 VDC $\pm 10\%$		
	Current Consumption	Approx.1.0 A		
Environmental Tolerance	Operating Temperature	0 to +50°C		
	Relative Humidity	20 to 85% RH(No condensation)		
Weight		Approx.3200 g		

TS-C Series Chromatic Confocal Displacement Sensor

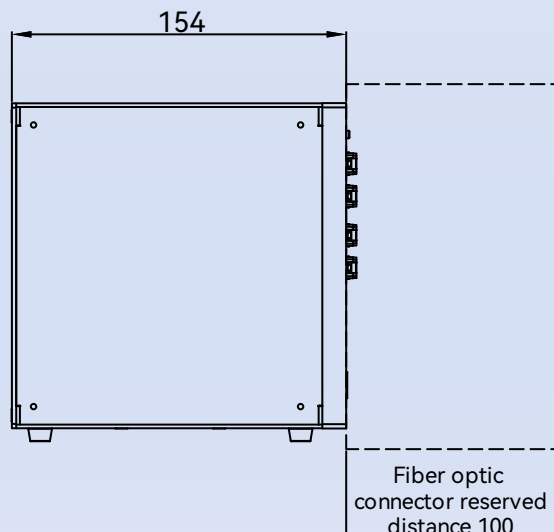
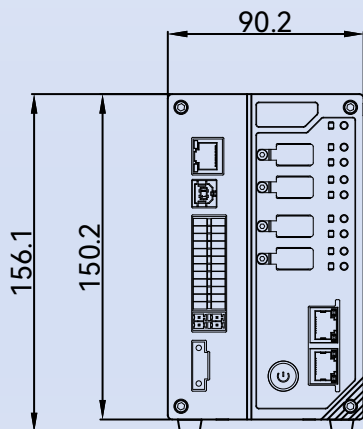
CP Series Controller Product Dimension Drawing



(CPS)



(CPD)



(CPF)