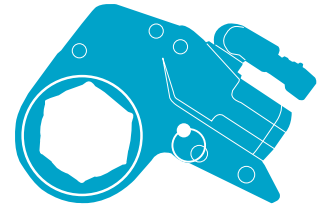
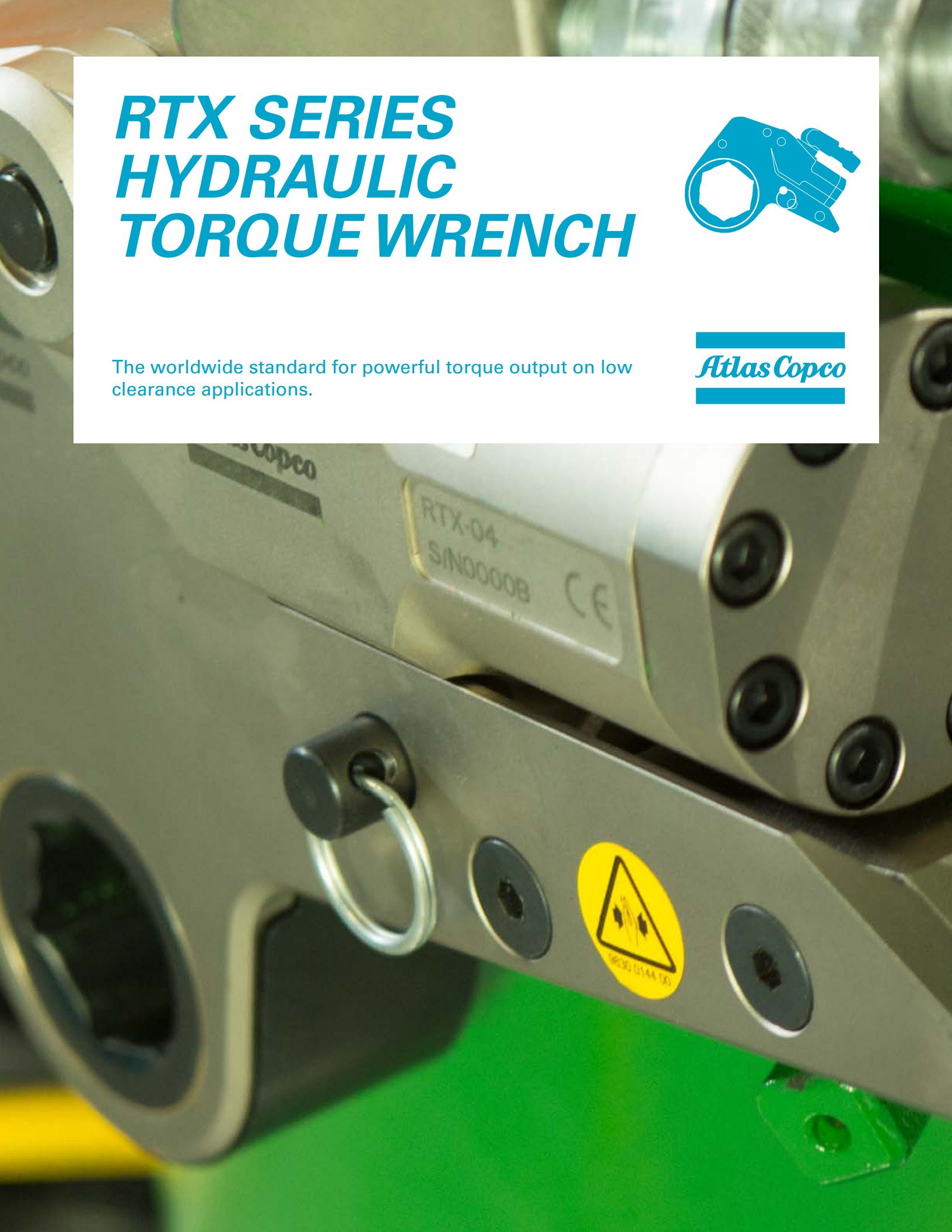


RTX SERIES HYDRAULIC TORQUE WRENCH



The worldwide standard for powerful torque output on low clearance applications.

Atlas Copco



RTX SERIES

LOW PROFILE HYDRAULIC TORQUE WRENCH

Our Rapid-Torc RTX direct-fit, low profile torque wrenches combine high power-to-weight ratio, durability and hands-free operation. The result is a tool that is perfectly suited for low clearance applications that require high torque. Use with the standard set up or customize with high quality accessories.

From design, to manufacturing and calibration, RTX Series is a purpose-built machine. It stands second to none.



AIRCRAFT ALUMINUM ALLOY

Most of the exterior is made up of aircraft-quality aluminum alloy, which provides amazing strength while keeping weight to a minimum.

LARGEST HEX RANGE

Largest range of hex sizes available. Torque output is consistent for any link size. Available in Reduced Radius and 12 point.

HIGH STRENGTH STEEL ALLOY

Heavy duty contact points ensure long tool life.

MULTI-AXIS SWIVEL

Greater range of movement on multiple axis allows the hose to move easier compared to one axis swivels.

AUTOMATIC ENGAGEMENT

The powerhead engages the direct fit ratchet link automatically.

CONNECTS WITH JUST ONE PIN

Using just one high strength pin to connect allows operators to quickly change out link sizes.

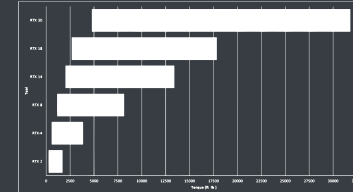
REACTION OPTIONS AVAILABLE

The in-line reaction pad works beautifully on most applications. For special applications, Atlas Copco offers outside reaction arms and Alco arms to increase reaction points.

RTX SERIES LOW PROFILE HYDRAULIC TORQUE WRENCH

KEY FEATURES

6 Models
torque range
255 ft.lb. to 31800 ft.lb.
(346 Nm to 43108 Nm)



Hex Drive Size



Ranges from 3/4" to 6 1/2"

+/- 3% Accuracy

1 STANDARD RTX SERIES SETUP

RTX Powerhead
Choose your torque range.

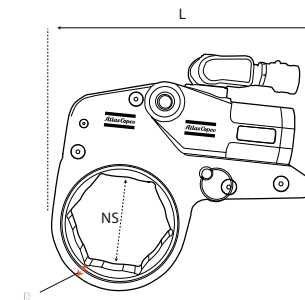


Direct Fit Ratchet Links
Choose the Across Flat Hex Link Size* needed for your application. Available in Reduced Radius#.



Dimensions

Model	L		NS (based on ratchet link size)		R		W1		W2	
	in	mm	in	mm	in	mm	in	mm	in	mm
RTX-02	7.2	183	3/4 - 2 9/16	19-65	0.35	9	1.26	32	1.92	49
RTX-04	9.7	248	1 5/16 - 3 1/8	32-80	0.47	12	1.65	42	2.56	65
RTX-08	12.1	308	1 13/16 - 3 3/8	46-100	0.59	15	2.08	53	3.22	82
RTX-14	14.6	372	2 - 4 5/8	50-120	0.72	18.5	2.48	63	3.89	99
RTX-18	15.5	393	3 - 5 1/2	75-140	.87	22.2	2.75	70	4.37	111
RTX-30	18	457	3 9/16 - 6 1/8	90-155	1	25.4	3.26	83	5.28	132



- 1 Standard Setup
- 2 Standard Link Sizes
- 3 Insert Hex Reducer
- 4 Safety Handle for RTX
- 5 Alco Arm
- 6 Onside Reaction Arm
- 7 Safety nut

Model	Ratchet Link Hex Size*		Torque Range		Weight		Ordering No.
	in	mm	ft.lb.	Nm	lbs	kg	
RTX-02	3/4 - 2 3/4	19-65	255-1710	346-2318	4.5	2	8434 2021 90
RTX-04	1 - 3 3/8	25-85	580-3855	786-5226	9.7	4.4	8434 2021 95
RTX-08	1 1/8 - 4 1/8	46-105	1143-8151	1549-11049	19.5	9	8434 2022 00
RTX-14	2 1/2 - 5 3/8	60-135	2010-13400	2725-18165	33	15	8434 2116 58
RTX-18	3 1/2 - 5 1/2	75-140	2676-17845	3628-24191	51	23	8434 2022 05
RTX-30	3 1/2 - 6 1/8	90-165	4770-31800	6466-43108	78	35.5	8434 2022 10

2 RATCHET LINKS



Model	Ordering no.
RL02-100	8434202003
RL02-101/27MM	8434213196
RL02-102	8434213199
RL02-103	8434213205
RL02-104	8434202169
RL02-104/32MM	8434213208
RL02-105	8434213214
RL02-107	8434202168
RL02-107 RR	8434202183
RL02-108/38MM	8434213220
RL02-110	8434202107
RL02-110 RR	8434202108
RL02-111/43MM	8434213226
RL02-112	8434213229
RL02-113/46MM	8434213232
RL02-113/46MM RR	8434213235
RL02-114	8434202006
RL02-200	8434213250
RL02-202	8434213256
RL02-203	8434213259
RL02-206	8434202147
RL02-207	8434213268
RL02-208	8434213271
RL02-209/65MM	8434202150
RL02-212	8434202159
RL02-215	8434202177
RL02-24MM	8434202054
RL02-30MM	8434213277
RL02-36MM	8434213280
RL02-41MM	8434213283
RL02-50MM	8434202186
RL02-55MM	8434213286
RL02-60MM	8434205928
RL04-014	8434213319
RL04-100	8434213322
RL04-108/38MM	8434213340
RL04-110	8434202135
RL04-113/46MM	8434202153
RL04-114	8434213343
RL04-200	8434213349
RL04-203	8434202171

Model	Ordering no.
RL04-204	8434213358
RL04-206	8434213364
RL04-208	8434213367
RL04-209/65MM	8434213370
RL04-212	8434213379
RL04-212 RR	8434213382
RL04-213	8434213385
RL04-215	8434213391
RL04-300	8434213400
RL04-302	8434213406
RL04-308	8434213409
RL04-36MM	8434213418
RL04-41MM	8434213421
RL04-50MM	8434213430
RL04-55MM	8434213436
RL04-55MM RR	8434213439
RL04-60MM	8434213445
RL04-70MM	8434202162
RL04-71MM	8434202163
RL04-75MM	8434202021
RL04-85MM	8434213454
RL08-100MM	8434202024
RL08-105MM	8434213496
RL08-113/46MM	8434202066
RL08-200	8434202068
RL08-203	8434202069
RL08-204	8434213520
RL08-206	8434202070
RL08-208	8434213526
RL08-209/65MM	8434211604
RL08-212	8434202144
RL08-215	8434202071
RL08-302	8434202072
RL08-305 3 5/16IN	8434202077
RL08-308	8434202074
RL08-312/95MM	8434213541
RL08-314	8434202165
RL08-404	8434202078
RL08-50MM	8434213547
RL08-70MM	8434213559
RL08-75MM	8434213565
RL08-80MM	8434213574
RL08-85MM	8434202111
RL08-90MM	8434202081
RL14-115MM	8434213604
RL14-130MM	8434213610

Model	Ordering no.
RL14-206	8434213613
RL14-209/65MM	8434202039
RL14-302	8434213631
RL14-308	8434213634
RL14-312/95MM	8434202042
RL14-314	8434202045
RL14-402	8434213646
RL14-404	8434202084
RL14-410	8434213655
RL14-506	8434213658
RL14-80MM	8434202120
RL14-85MM	8434202132
RL18-115MM	8434213697
RL18-212 2 3/4IN	8434205947
RL18-302	8434213708
RL18-308	8434202087
RL18-312	8434202090
RL18-314	8434213715
RL18-404	8434202048
RL18-410	8434202093
RL18-500	8434202156
RL18-506	8434202123
RL18-80MM	8434213718
RL30-100MM	8434213733
RL30-115MM	8434213742
RL30-120MM	8434213745
RL30-130MM	8434202053
RL30-150MM	8434213760
RL30-170MM	8434213769
RL30-302	8434213775
RL30-314	8434213787
RL30-404	8434213790
RL30-410	8434202100
RL30-500	8434202099
RL30-506	8434202051
RL30-512	8434213793

Other size ratchet links also available. Please contact your local Atlas Copco representative to get a complete list of sizes. We can also build custom links upon request.

3 INSERT HEX REDUCER



Starting Size	Reduces to	Ordering no.
2 3/4	1 5/8	4222 2134 17
2 3/4	1 13/16	4222 2134 20
2 3/4	1 7/8	4222 2134 23
46mm	36mm	4222 2134 26
50mm	41mm	4222 2134 29
50mm	46mm	4222 2134 32
1 13/16	30mm	4222 2119 58
1 13/16	36mm	4222 2119 62
1 13/16	42mm	4222 2119 66
2	1 3/4	4222 2137 74
2	1 13/16	4222 2137 77
2 1/4	1 5/16	4222 2137 80
2 1/4	1 1/2	4222 2137 83
2 1/4	1 7/8	4222 2137 86
2 1/2	1 7/8	4222 2119 70
2 3/4	2 1/2	4222 2137 89
2 3/4	2 1/16	4222 2137 92
2 3/4	2 1/8	4222 2137 95
2 3/4	2 3/16	4222 2137 98
2 3/4	2 1/4	4222 2138 01
2 3/4	2 3/8	4222 2138 04

Starting Size	Reduces to	Ordering no.
2 15/16	2 9/16	4222 2138 07
3 1/8	1	4222 2138 10
3 1/8	1 1/2	4222 2138 13
3 1/8	1 5/8	4222 2138 16
3 1/8	1 3/4	4222 2138 19
3 1/8	2	4222 2138 22
3 1/8	2 3/8	4222 2138 25
50mm	19mm	4222 2138 28
50mm	32mm	4222 2138 31
50mm	41mm	4222 2138 34
50mm	42mm	4222 2138 37
50mm	46mm	4222 2138 40
55mm	50mm	4222 2138 43
65mm	55mm	4222 2119 74
70mm	60mm	4222 2119 78
70mm	65mm	4222 2119 82
100mm	80mm	4222 2140 62
2 3/16	2	4222 2140 65
3 1/8	2 15/16	4222 2140 68
3 1/8	50mm	4222 2140 71
3 1/8	55mm	4222 2140 74
3 1/8	60mm	4222 2140 77
3 7/8	3 1/2	4222 2140 80
60mm	50mm	4222 2122 07
60mm	55mm	4222 2122 11
70mm	46mm	4222 2140 83

5 ALCO ARM



Model	Ordering no.
RTX02-ALC	8434 2057 58
RTX04-ALC	8434 2057 60
RTX08-ALC	8434 2057 62
RTX14-ALC	8434 2057 64
RTX18-ALC	8434 2057 66
RTX30-ALC	8434 2057 67

6 ONSIDE REACTION ARM



Model	Ordering no.
RTX02-14	4222 2107 14
RTX04-14	4222 2109 27
RTX08-14	4222 2110 44
RTX14-14	4222 2141 22
RTX18-14	4222 2141 23
RTX30-14	4222 2144 43

4 SAFETY HANDLE



Model	Ordering no.
Handle kit RL-02	8434217035
Handle kit RL-04	8434217036
Handle kit RL-08	8434217037
Handle kit RL-14	8434217038
Handle kit RL-18	8434217039
Handle kit RL-30	8434217040

7 SAFETY NUT



Stud Size	Ordering Number
2"	8434212919
2-1/2"	8434212918
2-1/4"	8434212916
1-7/8"	8434212915
3"	8434212913
2-3/4"	8434212912
1-3/4"	8434212910
1-5/8"	8434212909
1-1/2"	8434212907
1-3/8"	8434212906
1-1/4"	8434212904
1-1/8"	8434212903
1"	8434212901
7/8"	8434212900

COMMITTED TO SUSTAINABLE PRODUCTIVITY

We stand by our responsibilities towards our customers, towards the environment and the people around us. We make performance stand the test of time. This is what we call - Sustainable Productivity.

www.atlascopco.com
www.rapidtorc.com

Atlas Copco