

AAE

Regrind Management Systems



Open System



Closed System



AAE

Regrind Management Systems



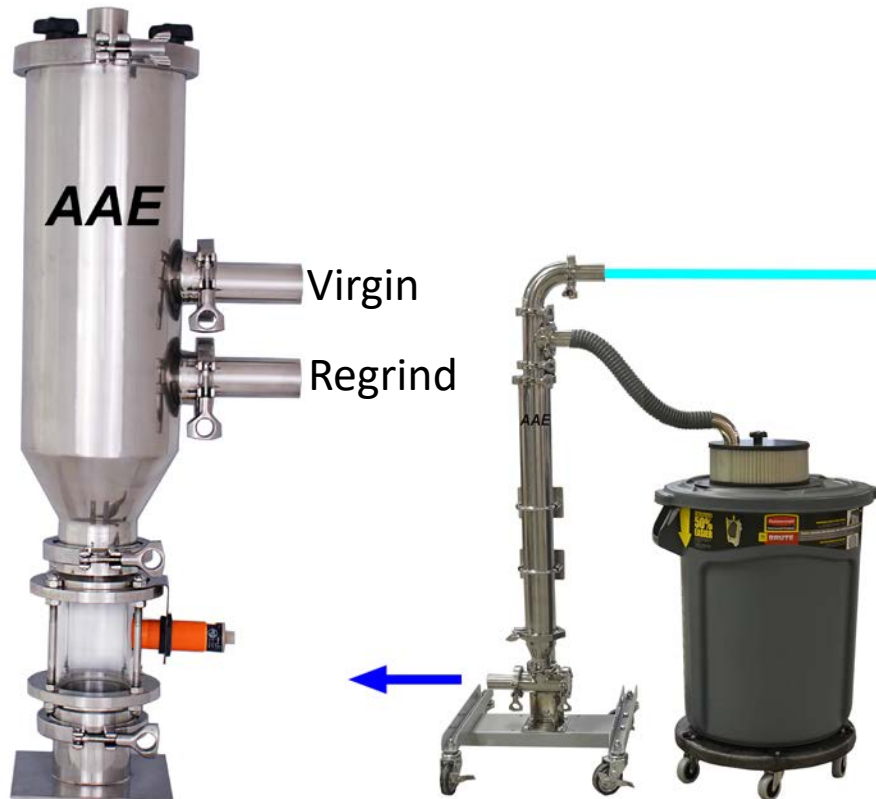
Closed system, proportioning loader

- Dried material will not regain moisture
- Proportion controlled by grinder
- - Grinder is emptied every two shots
- Material is blended on machine throat
- Powder style bag filter.



AAE

Regrind Management Systems

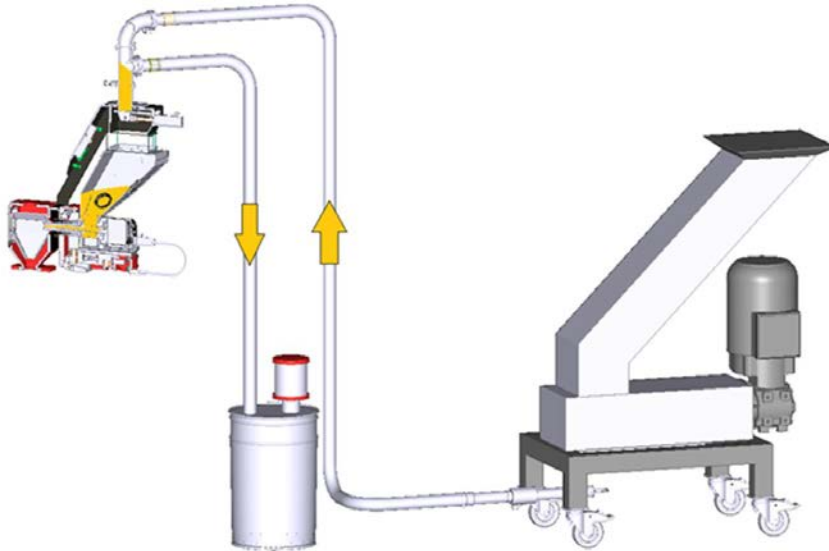


Closed system, LIFO, proportioning loader

- Proportion controlled by loader
- Dried material will not regain moisture
- Excess regrind by-passed to bin
- - Grinder is emptied every two shots
- Material is blended on machine throat
- Powder style bag filter.

AAE

Regrind Management Systems



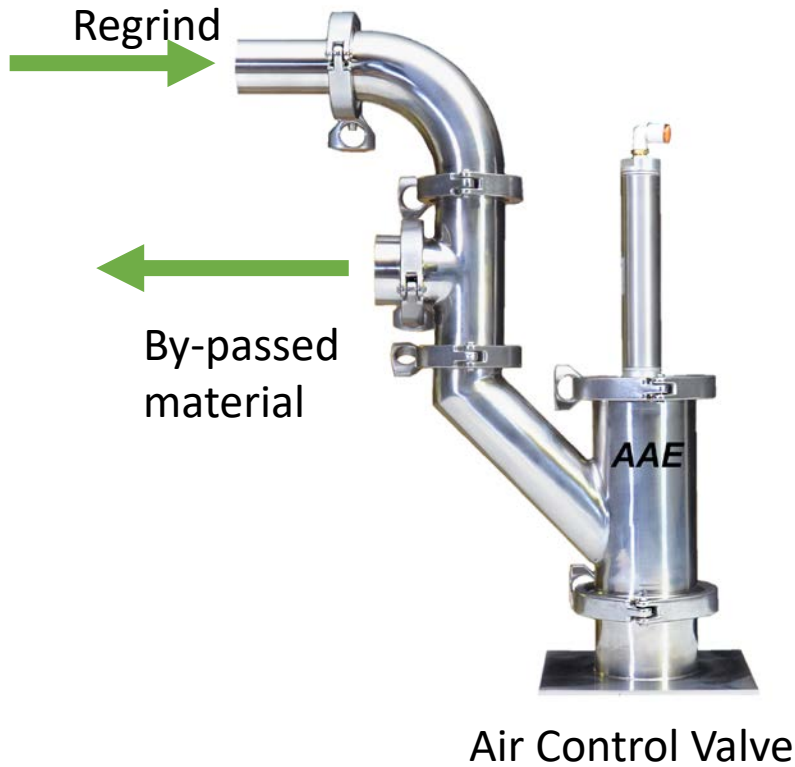
Closed system, LIFO, additive feeder

Proportion controlled by additive feeder

- Dried material will not regain moisture
- Excess regrind by-passed to bin
- - Grinder is emptied every two shots
- Material is blended on machine throat
- Powder style bag filter.

AAE

Regrind Management Systems



Hopper mounted LIFO loader

Air control valve contains compressed air

- Fits on most hoppers
- Level switch in hopper calls for material
- Excess regrind by-passed to bin
- - Grinder is emptied every two shots

AAE

Regrind Management Systems



Additive Feeders

- Gravimetric
- Volumetric
- Regrind
- Pellets

AAE

Regrind Management Systems

MOVACOLOR
COLOR IN CONTROL



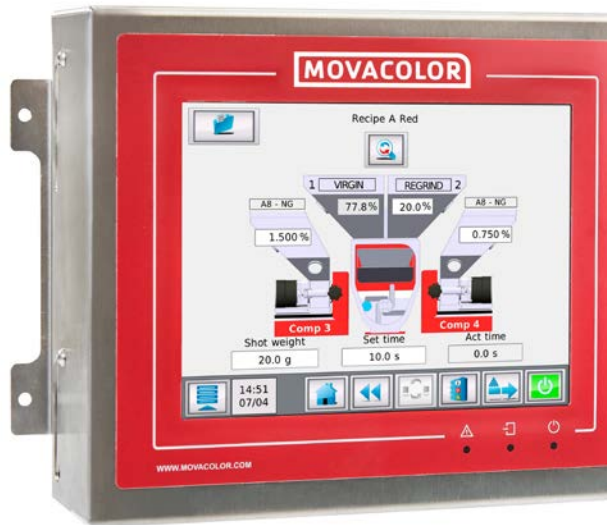
Volumetric



Gravimetric

AAE

Regrind Management Systems



Color Touch Control



Digital LED control



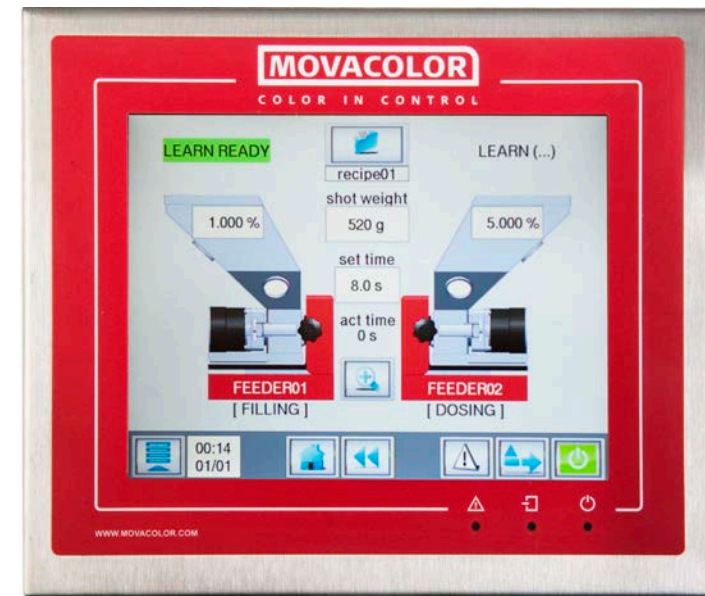
Volumetric Control

AAE

Regrind Management Systems



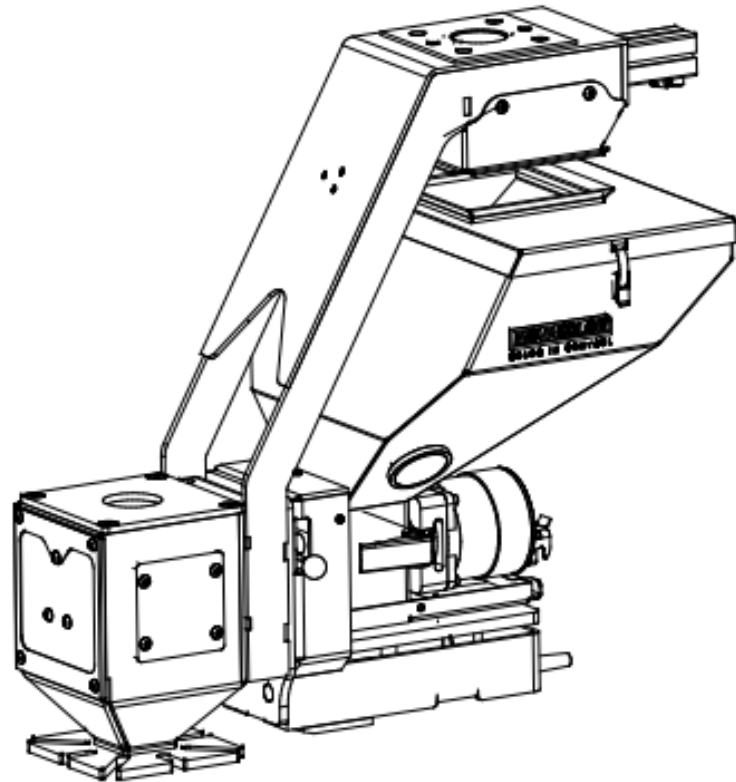
National Molding



MCTwin with adaptive control

AAE

Regrind Management Systems



Isolate additive feeder from weight & pressure

Weight can effect the accuracy of gravimetric feeders

Dosers must be isolated from pressure and vacuum



AAE

Regrind Management Systems



Advanced Auxiliary Equipment, Inc
PO Box 568
219 Main St. (shipping only)
Mathews, VA 23109
AAE-US.COM

Donald Rainville
800.918.5820 X 700
donald.rainville@aae-us.com