

# Self Isolation Science

Year 4 5

**Nature Watch:** Tick the living things you observe outside your house

Trees with leaves		Flies	
Trees with no leaves yet		Butterflies	
Plants with flowers		Spider webs	
Plants without flowers		Pinecones	
Pigeons		Foxes	

## Electricity:

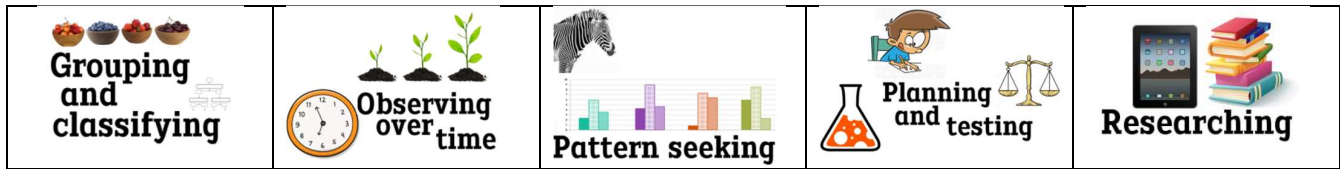
Count the number of plug sockets you have in each room. Why do some rooms have more than others?

Room	Number of plug sockets

**CHALLENGE:** Can you spend a whole day without using electricity?

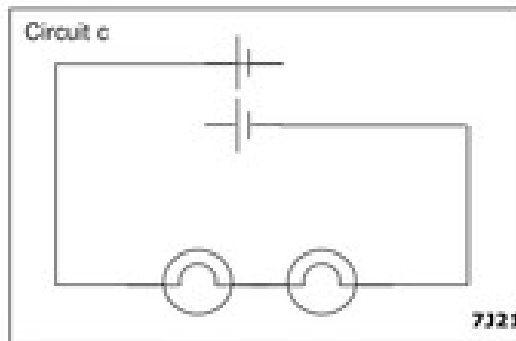
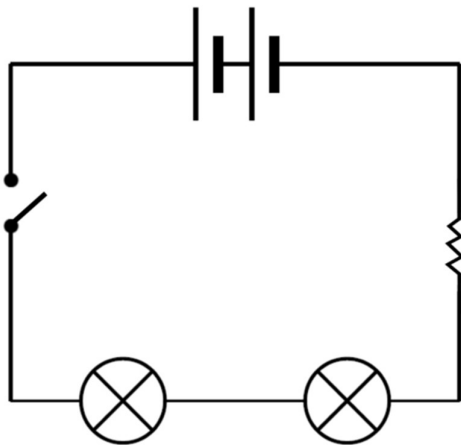
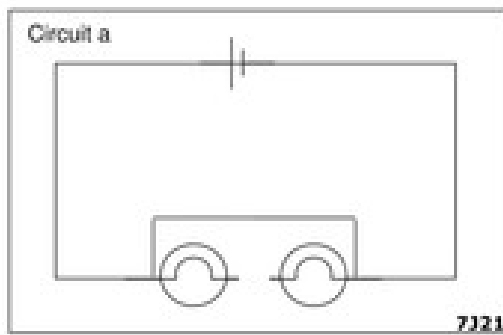
Here's a few things you can do:

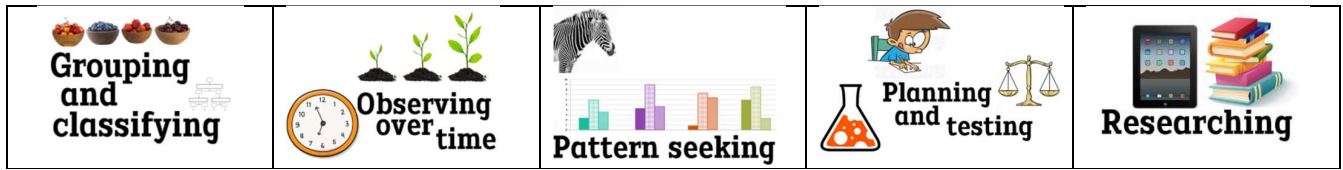
- Play outside
- Draw on paper
- Write a story
- Read a book in natural light
- Build a fort
- Make up a dance
- Tidy your room



# Self Isolation Science

Electricity: What's wrong with these circuits?





# Self Isolation Science

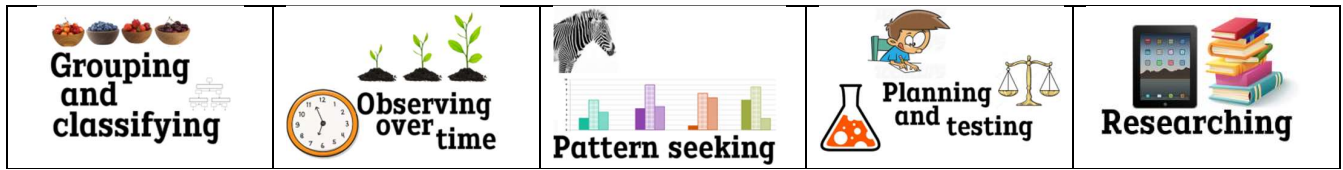
## Electricity:

Sort the items in your home into these categories:

Mains powered	Battery powered	Does not need electricity

## Habitats:

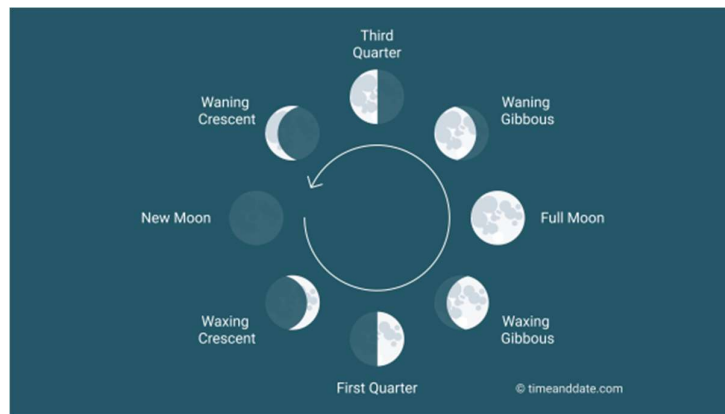
Place a log, branch or bit of bark on the mud or grass in your garden. Look back in a few days. What can you see?



# Self Isolation Science

## Earth and Space:

Look up at the sky each night. Can you see the moon? If you can see it, draw it below and label which phase it is in.

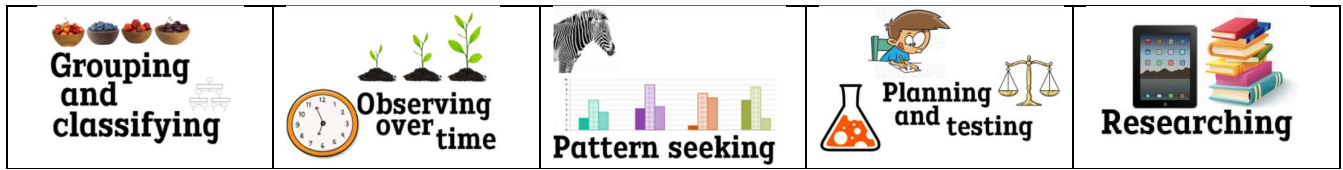


Day/ date	Moon phase



# Self Isolation Science

Day/ date	Moon phase



# Self Isolation Science

**Research questions:** These will need access to the internet to be able to investigate. You can write your answers in the space on this page.

## Year 4

Why are people cutting down the rainforests and what effect does that have?

How do dentists fix broken teeth?

What are hurricanes, and why do they happen?

How has electricity changed the way we live?

How does a light bulb work?

Do all animals have the same hearing range?

## Year 5

What are the differences between the life cycle of an insect and a mammal?

Why do people get grey/white hair when they get older?

What are microplastics and why are they harming the planet?

How have our ideas about the solar system changed over time?

What unusual objects did Jocelyn Bell Burnell discover?

How do submarines sink if they are full of air?