



LED STRIP LIGHT 2 FT MULTI CCT



FEATURES

- Default CCT: 5,000K
- IP20 rated
- V-Hook included
- DC 12V auxiliary
- 50,000 hours lifetime

SUITABLE APPLICATIONS

- Parking Lot
- Supermarket
- Corridor
- Retail Spaces
- Warehouses

CONSTRUCTION:

22-gauge metal housing with matte white paint. PMMA cover lens. Frosted lens.

OPTICAL SYSTEM:

Seoul 2835 LED chips. High quality tempered glass optics. 120° beam angle.

WARRANTY:

5-year limited warranty. Actual performance may differ as a result of end-user environment and application.

ELECTRICAL:

Available as 120-347V input. -20°C to 50°C, -4°F to 122°F

INSTALLATION & MOUNTING:

Suspension or surface mount option.

CONTROLS & DIMMING:

0-10V dimming comes standard.



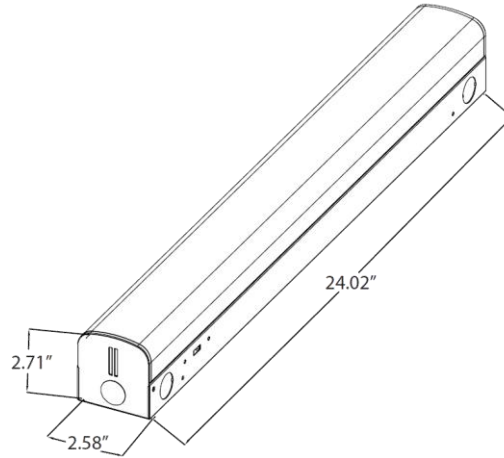
MODEL NUMBER	WATTAGE	LUMENS	EFFICACY	CRI	POWER FACTOR	THD	REPLACES
120-ST2X-22-T50-DIM	22W	2,877.6LM	128.88LM/W	84.3	0.9358	13.07%	100W

LED STRIP LIGHT 2 FT MULTI CCT



Series	Size	Voltage	Wattage	Color Temperature	Dimming	Material
120-ST	2FT = 2 foot	120-347V	22W	3500K 4000K 5000K	Dimmable	F = Frosted Lens

MEASUREMENTS



OPTIONAL ACCESSORIES



V-Hook (included)



Aircraft Cable



120-HB001 VCR 1



Remote Control
120-RC-ST2

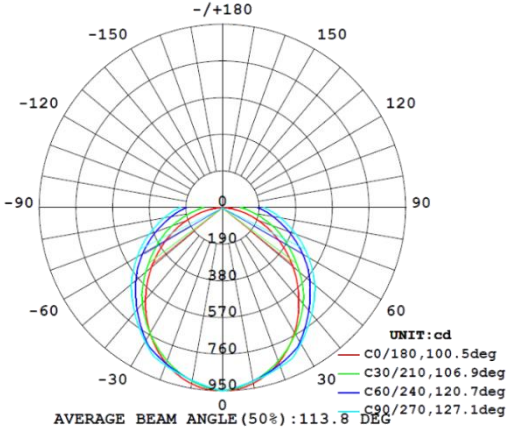


Emergency Back-up

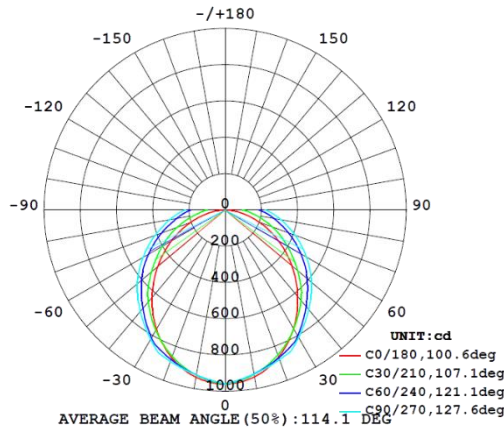
PHOTOMETRIC DATA



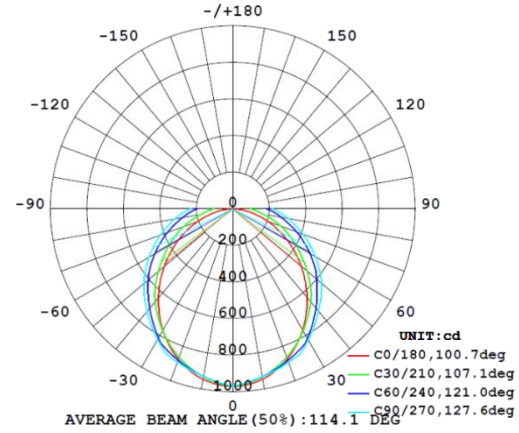
3,500K



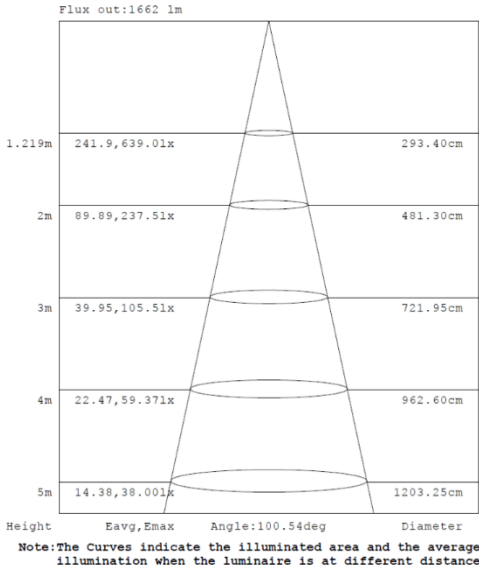
4,000K



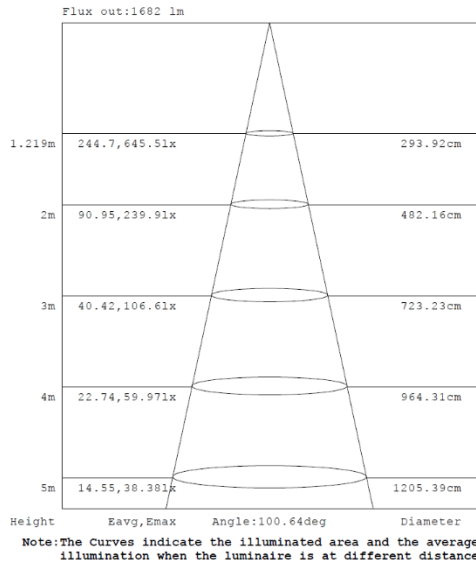
5,000K



3,500K



4,000K



5,000K

