



# LED 2 FT WRAP AROUND



## FEATURES

- IP20 rated
- ABS endcaps design for easy install/removal of lens
- 50,000 hours lifetime

## SUITABLE APPLICATIONS

- Parking Lots
- Supermarkets
- Corridors
- Retail Spaces
- Warehouses

### CONSTRUCTION:

22-gauge metal housing with matte white finish. PMMA cover lens.

### OPTICAL SYSTEM:

Samsung 2835 LED chips. Frosted lens. 110° beam angle.

### WARRANTY:

5-year limited warranty. Actual performance may differ as a result of end-user environment and application.

### ELECTRICAL:

Available as 100-277V input. -20°C to 50°C, -4°F to 122°F

### INSTALLATION & MOUNTING:

Suspension or surface mounting options.

Metal joiner bracket:

- 2 foot can link up to 20 pieces

### CONTROLS & DIMMING:

0-10V dimming comes standard.

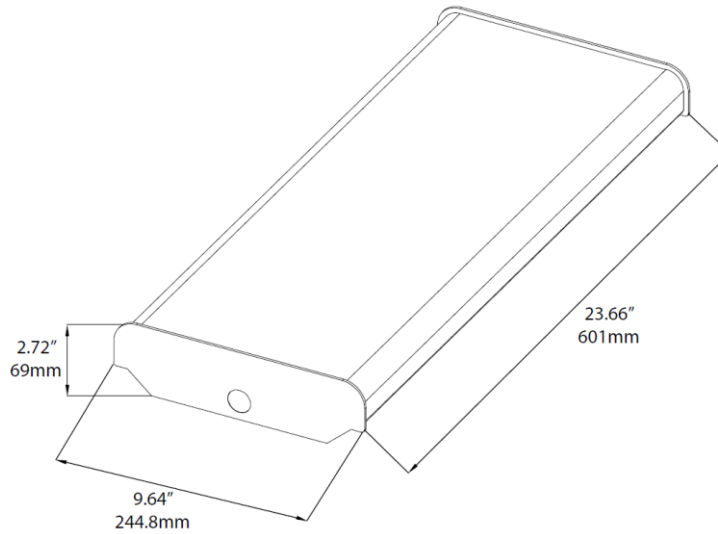


MODEL NUMBER	WATTAGE	LUMENS	EFFICACY	CRI	POWER FACTOR	THD	CCT
120-WP2-23-50-DIM	23W	3,026.8LM	131.6LM/W	80	0.9	20%	5000K

# LED Wrap Around Light Series

Series	2 FOOT	Color Temperature	Controls
120-WP2	23W	5000K	D = 0-10V Dimming

## MEASUREMENTS



## OPTIONAL ACCESSORIES



Emergency Battery  
120 --EMB15W-050

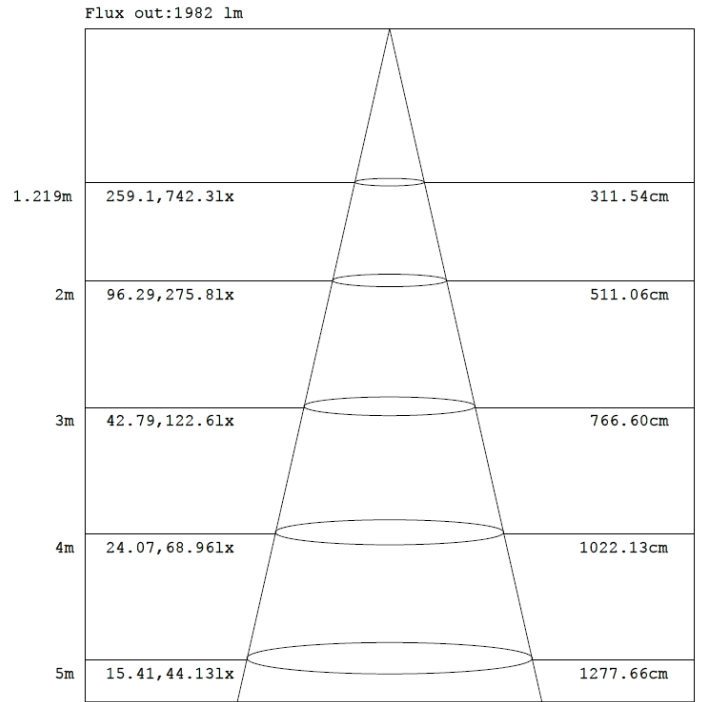
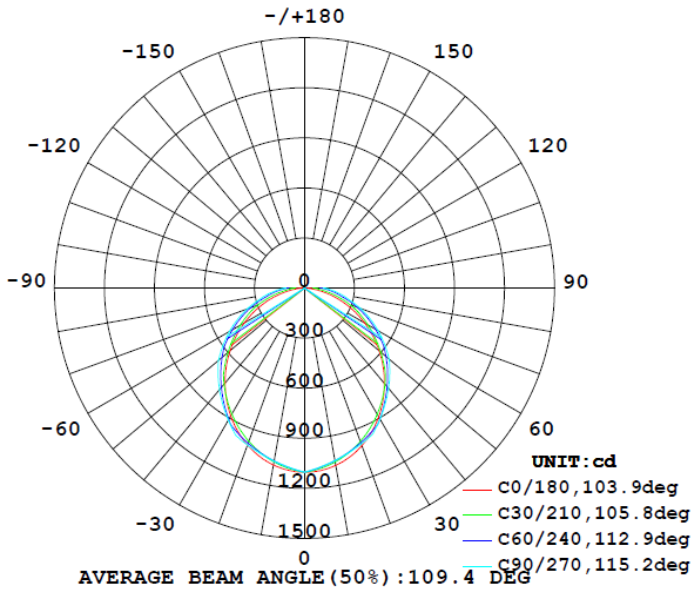


Suspension Kit  
(Not included)



Metal Joiner Bracket  
(Not included)

## 2 FOOT 23W



Note: The Curves indicate the illuminated area and the average illumination when the luminaire is at different distance.