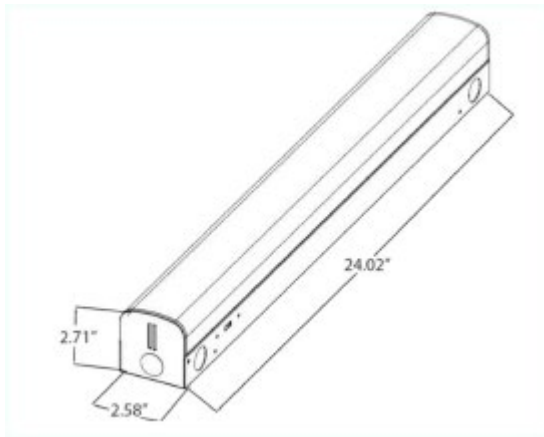




LED 2FT Strip Light Multi CCT 120-347V



2FT 22W



FEATURES

- IP20 rated
- V-Hook Included
- DC 12V Auxiliary
- 50,000 hours lifetime

APPLICATIONS

- Corridor / Hallway
- Parking Lot
- Retail Spaces
- Supermarket
- Warehouses



CONSTRUCTION 22-gauge Metal Housing with matte white paint. PMMA frosted cover lens.	CONTROLS AND DIMMING 0-10V dimming standard.
OPTICAL SYSTEM Seoul 2835 LED chip. High quality tempered glass optics. 120° beam angle.	INSTALLATION AND MOUNTING V-Hook included. Suspension or surface mount option.
ELECTRICAL 120-347V input. -20°C to 50°C (-4°F to 122°F).	WARRANTY 5-year limited warranty. Actual performance may differ as a result of end-user environment and application.

OPTIONAL ACCESSORIES



V-Hook
(included)



Aircraft Cable
120-MT-ST-AC



Motion Sensor
120-MS-ST-HB001VCR1



Remote Control
120-RC-ST-G1HD05RWH



Emergency Back-up
120-EMBU-15W-050



LED 2FT Strip Light Multi CCT 120-347V

Part Number 120-2STX-22-T50-34-DIM

WATTAGE SELECTABLE	CCT SELECTABLE	LUMENS	EFFICACY	VOLTAGE	CRI	POWER FACTOR	THD	REPLACES
22W	3500K/4000K/5000K	2,877.6LM	128.88lm/W	120-347V	84.3	.9358	13.07%	100W

PHOTOMETRICS

