



LED 4FT and 8FT Strip Light Linkable Multi Watt Multi CCT



4FT – 22W / 28W / 36W / 44W



8FT – 48W / 68W / 90W



J-Box Cover (included)



Bracket for linking together (included)

FEATURES

- IP20 rated
- Linkable Design (see page 2)
- Multi Wattage and Multi CCT
- 50,000 hours lifetime

APPLICATIONS

- Factories
- Parking Lot
- Retail Spaces
- Supermarket
- Warehouses



22-gauge metal housing with matte white paint. PMMA frosted cover lens. PC endcaps, quick-connector adapter for continuous run mounting.	0-10V dimming standard.
OPTICAL SYSTEM	INSTALLATION AND MOUNTING
Seoul 2835 LED chip. High quality tempered glass optics. 120° beam angle.	V-Hook included. Hanging chain, surface mount or J-adapter. Linkable fixtures, 4FT fixtures up to 20 pieces and 8 FT can link up to 10 fixtures. Linking bracket and J-Box cover included.
ELECTRICAL	WARRANTY
120-277V input. -20°C to 50°C (-4°F to 122°F).	5-year limited warranty. Actual performance may differ as a result of end-user environment and application.

OPTIONAL ACCESSORIES



V-Hook (included)



Aircraft Cable 120-MT-ST-AC



Motion Sensor 120-MS-ST-HB001VCR1



Remote Control 120-RC-ST-G1HD05RWH



Emergency Back-up Driver 120-EMBU-15W-050

NOTE: We have the 4FT model in stock with a pre-installed emergency back-up driver and the 4 FT model with a motion sensor and emergency back-up driver installed.



Part Number 120-ST4-44-50-DIM

WATTAGE SELECTABLE	CCT SELECTABLE	LUMENS	EFFICACY	VOLTAGE	CRI	POWER FACTOR	THD	REPLACES
22W	3500K/4000K/5000K	2,862.2LM	130.1lm/W	120-277V	80	.9	10%	2 pcs 17W T8 lamp or 2 pcs 32W T8 lamp
28W	3500K/4000K/5000K	3,642.8LM	130.1lm/W	120-277V	80	.9	10%	
36W	3500K/4000K/5000K	4,683.6LM	130.1lm/W	120-277V	80	.9	10%	
44W	3500K/4000K/5000K	5,726.9LM	129.77lm/W	120-277V	84	.9739	6.82%	

Part Number 120-ST8-90-50-DIM

WATTAGE SELECTABLE	CCT SELECTABLE	LUMENS	EFFICACY	VOLTAGE	CRI	POWER FACTOR	THD	REPLACES
48W	3500K/4000K/5000K	6,590.4LM	137.3lm/W	120-277V	80	.9	10%	2 pcs 17W T8 lamp or 2 pcs 32W T8 lamp or 2 pcs 59W T8 lamp
68W	3500K/4000K/5000K	9,336.4LM	137.3lm/W	120-277V	80	.9	10%	
90W	3500K/4000K/5000K	12,062LM	138.98lm/W	120-277V	80	.9784	13.42%	

Part Number 120-ST4-44-DIM-VEM (Installed Emergency Back-up Driver)

WATTAGE SELECTABLE	CCT SELECTABLE	LUMENS	EFFICACY	VOLTAGE	CRI	POWER FACTOR	THD	REPLACES
22W	3500K/4000K/5000K	2,862.2LM	130.1lm/W	120-277V	80	.9	10%	2 pcs 17W T8 lamp or 2 pcs 32W T8 lamp
28W	3500K/4000K/5000K	3,642.8LM	130.1lm/W	120-277V	80	.9	10%	
36W	3500K/4000K/5000K	4,683.6LM	130.1lm/W	120-277V	80	.9	10%	
44W	3500K/4000K/5000K	5,726.9LM	129.77lm/W	120-277V	84	.9739	6.82%	

Part Number 120-ST4-44-DIM-VMSEM (Installed Motion Sensor and Emergency Back-up Driver)

WATTAGE SELECTABLE	CCT SELECTABLE	LUMENS	EFFICACY	VOLTAGE	CRI	POWER FACTOR	THD	REPLACES
22W	3500K/4000K/5000K	2,862.2LM	130.1lm/W	120-277V	80	.9	10%	2 pcs 17W T8 lamp or 2 pcs 32W T8 lamp
28W	3500K/4000K/5000K	3,642.8LM	130.1lm/W	120-277V	80	.9	10%	
36W	3500K/4000K/5000K	4,683.6LM	130.1lm/W	120-277V	80	.9	10%	
44W	3500K/4000K/5000K	5,726.9LM	129.77lm/W	120-277V	84	.9739	6.82%	

Emergency Back-up Driver



Emergency Test Button

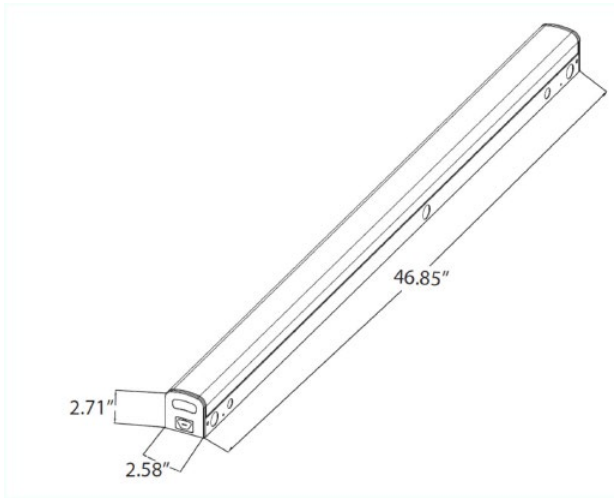


Motion Sensor

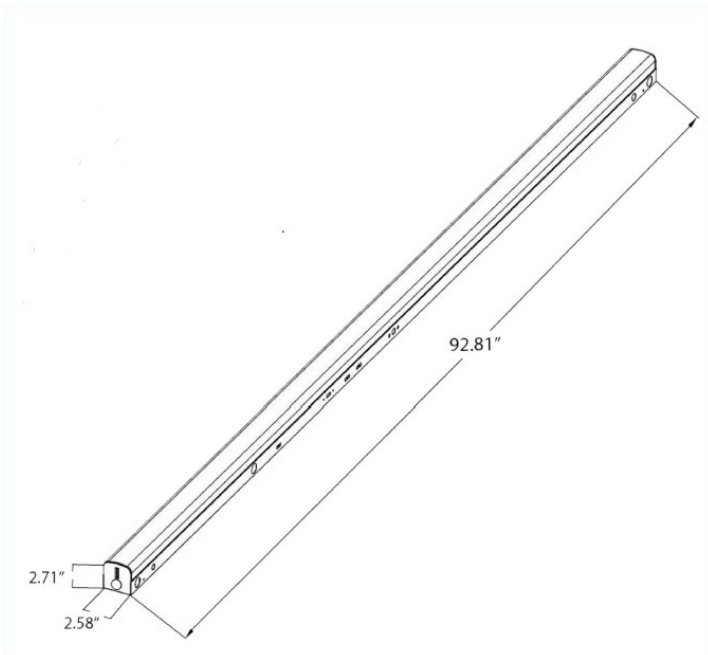




MEASUREMENTS



4 Foot
22W / 28W / 36W / 44W



8 Foot
48W / 68W / 90W