



60W-150W



200W-330W



Shoe Box with Photocell Sensor

APPLICATIONS

LED Area Light/Shoebox series delivers industry-leading performance in commercial, industrial, retail parking lots, roadways, and schools.

SPECIFICATION FEATURES

CONSTRUCTION

High quality aluminum alloy die-cast housing adopting a sleek aerodynamic design that has been put through rigorous tests that support the rugged outdoor environment. Corrosion resistant painting process that will never crack or fade.

ELECTRICAL

Luminaire is built the highest quality 120-277V Universal Driver or optional 200-480V Driver.

OPTICAL SYSTEM

SMD3030 LED Chip yields high CRI with brighter luminance, to an efficiency of 130lm/W and lowers luminance decrease over lifespan. LED Chips are water resistant.

INSTALLATION AND MOUNTING

U-bracket with SuS316 stainless steel screws is the standard mount. There are a variety of mounts to choose from to meet your specific needs. Optional mounts are Adjustable Direct Wall Mount, Adjustable Round and Square Pole, Slip Fitter and Trunnion.

CONTROLS AND DIMMING

Sosen high factor 12Kv Surge Protector series comes standard with 0-10V dimming capabilities. Suitable for Photocell and Motion Sensor/Daylight Harvesting.

CERTIFICATION AND WARRANTY

DLC Premium, ETL, CE, FCC, IP65, and RoHS. 5-year warranty.





ORDERING EXAMPLE: 076-SB-60W-50-27V-PH-SF

FORM FACTOR-WATTAGE	CCT	VOLTAGE	COLOR	STANDARD & OTHER OPTIONS	SURGE PROTECTOR	MOUNT
076-SB-60W= 60W Shoe Box T3* Lighting Distribution	40=4000K 50=5000K	27V=100-277V 48V=200-480V	[Blank]=Bronze Special Colors: BL=Black SL=Silver WH=White	[Blank]=Shorting Cap PH=Field Installed Photocell MS=Motion Sensor VMS=Vendor Installed Motion Sensor T3=T5 Lighting Distribution	[Blank]=6kV Surge Protector-Non-dimmable SP12=12kV Surge Protector-Standard 0-10V dimming	[Blank]=U Bracket SF=Slip Fitter DM=Direct Wall Mount TR=Trunnion ASPM=Adjustable Square/Round Pole Mount
076-SB-100W	Special Order: 3000K 5700K					
076-SB-150W						
076-SB-200W						
076-SB-300W						
076-SB-330W						

*T3 is Standard Lighting Distribution

TECHNICAL DATA

Input Wattage	60W	100W	150W	200W	300W	330W
Input Voltage (AC)	100-277V or 200-480V					
Luminous Flux	13,000lm	13,000lm	19,500lm	26,000lm	39,000lm	41,250lm
CCT	3000K / 4000K 5000K / 5700K	3000K / 4000K 5000K / 5700K	3000K / 4000K 5000K / 5700K	3000K / 4000K 5000K / 5700K	3000K / 4000K 5000K / 5700K	3000K / 4000K 5000K / 5700K
CRI (Ra)	>80					
Dimmable: Yes	0-10V					
Driver	Sosen high factor 12kV Surge Protector series					
LED Chip	Seoul 3030					
Lifespan (Hours)	50,000					
Lighting Angle	Type3 / Type5	Type3 / Type5	Type3 / Type5	Type3 / Type5	Type3 / Type5	Type3 / Type5
Power Factor	>0.9					
THD	≥10%					
Storage Temperature	-40°C to 60°C					
Working Temperature	-40°C to 50°C					
Certification	DLC Premium, ETL, CE FCC and RoHS					
IP Rating	IP65					
Laboratory Test Reports	LM-79 / TM-21					
Warranty	5-year					
Optional Accessories	Microwave Motion Sensor and Photocell/Daylight Harvesting Sensor					



MOUNT OPTIONS



Adjustable Slip Fit



Adjustable Round/Square Pole



Direct Mount Square Pole



U-Bracket



Trunnion installed on Shoe Box

ACCESSORY OPTIONS



Microwave Motion Sensor



Photocell



Shorting Cap-Standard

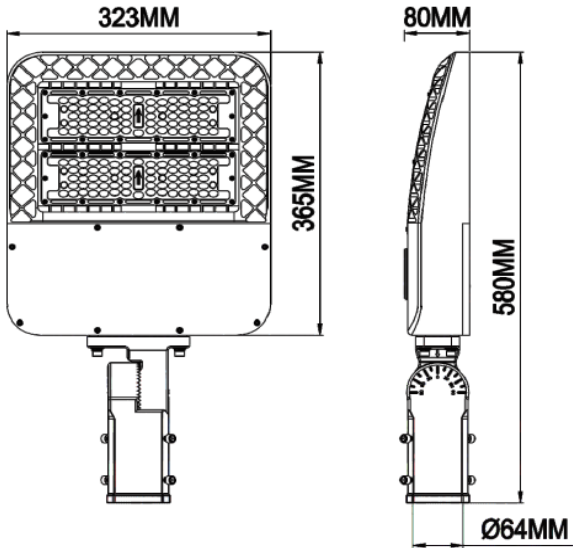


Surge Protector

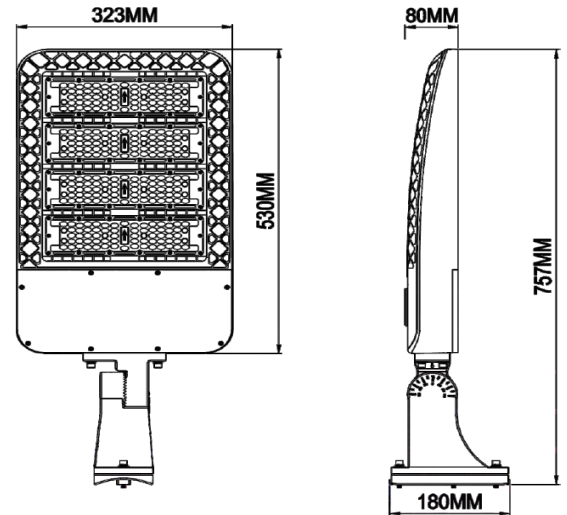


MEASUREMENTS

60W-150W Area Light/Shoe Box Luminaire

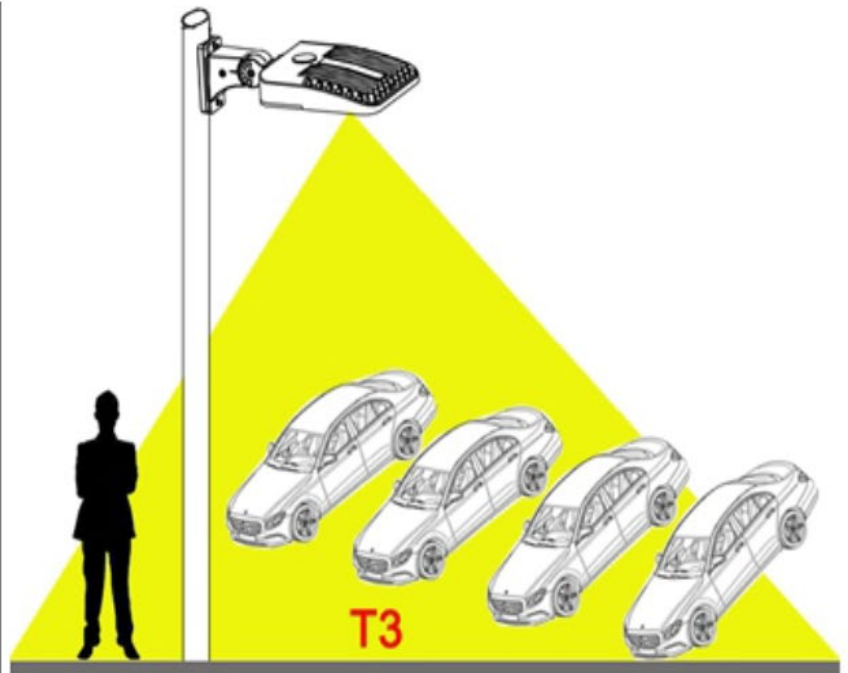
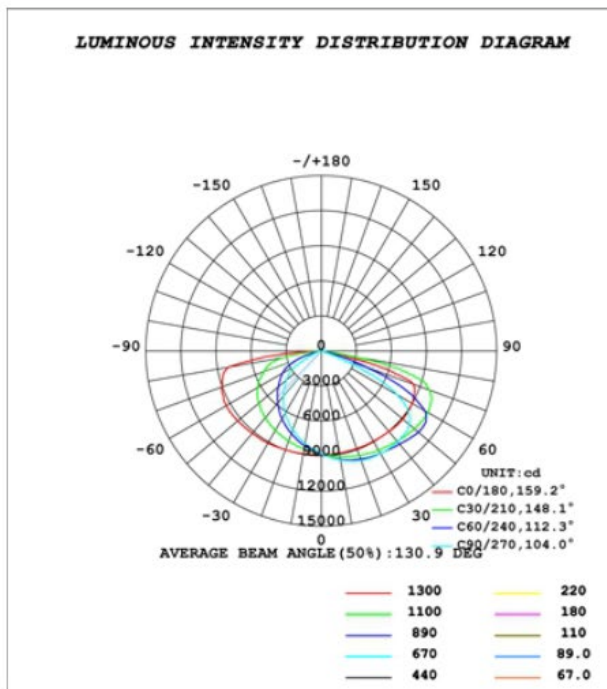


200W-330W Area Light/Shoe Box Luminaire



LIGHTING DISTRIBUTION STANDARD AND OPTION

T3 Lighting Distribution Standard





T5 Lighting Distribution Option

