



# LED Downlight Multi Wattage Multi CCT



4" – 5.5W / 8W / 12W



6" – 10W / 15W / 22W  
6" **High Output** – 25W / 32W / 42W



8" – 10W / 15W / 22W  
8" **High Output** – 32W / 42W / 52W



9.5" – 20W / 25W / 32W

## FEATURES

- Commercial Grade
- Multi Wattage Selectable
- Multi CCT Selectable
- Airtight Tight Housing
- IC Rated
- IP43 rated for models 6" and 8" IP44 Rated for 4", 6"HO, 8"HO and 9.5"
- 50,000 hours lifetime

## APPLICATIONS

- Residential (Whole House)
- Corridors
- Hallways
- Museums

## CONSTRUCTION

Downlight body and end caps are both fabricated from aluminum for max. rigidity. A lightweight aluminum heat sink designed to perform naturally convective cooling.

## OPTICAL SYSTEM

Lumiled LED chips. General, medium, aisle distributions available to meet both horizontal and vertical light level requirements. 6" 92° beam angle, 8" 93°, 4", 6" HO, 8" HO, and 9.5" are 90° beam angle.

## DIMMING

Dimmable range from 0-10V.

## ELECTRICAL

Uses a -20°C to 40°C (-4°F to 104°F) case temperature drive. < .090 power factor and 6" and 8" 110-277V input, 4", 6" HO, 8" HO, and 9.5" HO 120-277V.

## INSTALLATION AND MOUNTING

Use torsion spring clips to install in place.

## WARRANTY

5-year limited warranty. Actual performance may differ as a result of end-user environment and application

## OPTIONAL ACCESSORY

Emergency Driver Part no. 120-EMB-25WHV





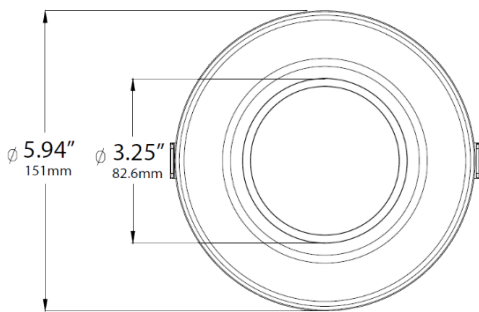
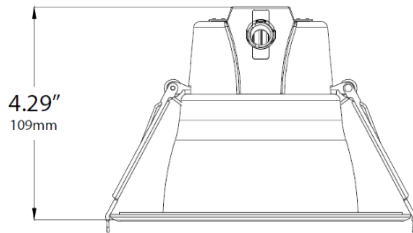
# LED Downlight Multi Wattage Multi CCT

Part Number 120-4DLXX-12-50-DIM							
WATTAGE	CCT SELECTABLE	LUMENS	EFFICACY	VOLTAGE	CRI	POWER FACTOR	REPLACES
5.5W	3000K / 4000K / 5000K	458.15LM	83.3lm/W	120-277V	93	0.98	75W
8W	3000K / 4000K / 5000K	666.6LM	83.3lm/W	120-277V	93	0.98	75W
12W	3000K / 4000K / 5000K	1,000LM	83.3lm/W	120-277V	93	0.98	75W
Part Number 120-6DLXX-22-50-DIM							
WATTAGE	CCT SELECTABLE	LUMENS	EFFICACY	VOLTAGE	CRI	POWER FACTOR	REPLACES
10W	3000K / 4000K / 5000K	900LM	88.6lm/W	110-277V	94	0.98	60W/100W/150W
15W	3000K / 4000K / 5000K	1,350LM	88.6lm/W	110-277V	94	0.98	60W/100W/150W
22W	3000K / 4000K / 5000K	1,950LM	88.6lm/W	110-277V	94	0.98	60W/100W/150W
Part Number 120-8DLXX-30-50-DIM							
WATTAGE	CCT SELECTABLE	LUMENS	EFFICACY	VOLTAGE	CRI	POWER FACTOR	REPLACES
12W	3000K / 4000K / 5000K	1,050LM	76.7lm/W	110-277V	93	0.98	100W/150W/200W
20W	3000K / 4000K / 5000K	1,650LM	76.7lm/W	110-277V	93	0.98	100W/150W/200W
30W	3000K / 4000K / 5000K	2,350LM	76.7lm/W	110-277V	93	0.98	100W/150W/200W
Part Number 120-9.5DLXX-32-50-DIM							
WATTAGE	CCT SELECTABLE	LUMENS	EFFICACY	VOLTAGE	CRI	POWER FACTOR	REPLACES
20W	3000K / 4000K / 5000K	1,876LM	93.8lm/W	120-277V	94	0.99	200W
25W	3000K / 4000K / 5000K	2,345LM	93.8lm/W	120-277V	94	0.99	200W
32W	3000K / 4000K / 5000K	3,001.6LM	93.8lm/W	120-277V	94	0.99	200W
Part Number 120-6DLHOXX-42-50-DIM (High Output)							
WATTAGE	CCT SELECTABLE	LUMENS	EFFICACY	VOLTAGE	CRI	POWER FACTOR	REPLACES
25W	3000K / 4000K / 5000K	2,477.5LM	99.1lm/W	120-277V	91	1.0	250W
32W	3000K / 4000K / 5000K	3,171.2LM	99.1lm/W	120-277V	91	1.0	250W
42W	3000K / 4000K / 5000K	4,162.2LM	99.1lm/W	120-277V	91	1.0	250W
Part Number 120-8DLHOXX-52-50-DIM (High Output)							
WATTAGE	CCT SELECTABLE	LUMENS	EFFICACY	VOLTAGE	CRI	POWER FACTOR	REPLACES
32W	3000K / 4000K / 5000K	3,078.4LM	96.2lm/W	120-277V	92	1.0	300W
42W	3000K / 4000K / 5000K	4,040.4LM	96.2lm/W	120-277V	92	1.0	300W
52W	3000K / 4000K / 5000K	5,000LM	96.2lm/W	120-277V	92	1.0	300W

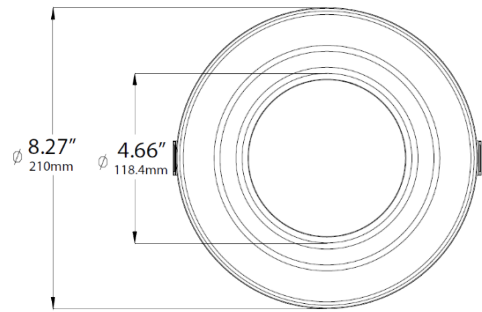
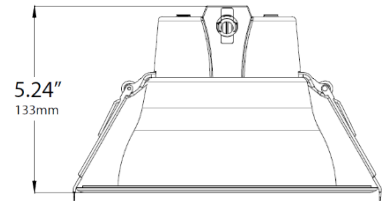


## PRODUCT MEASUREMENTS

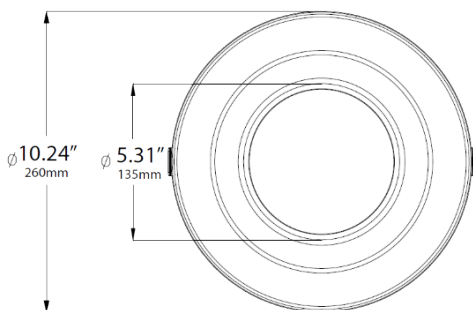
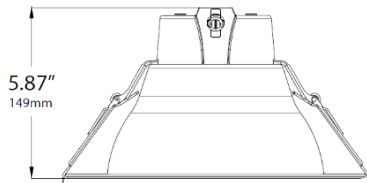
### 4-inch



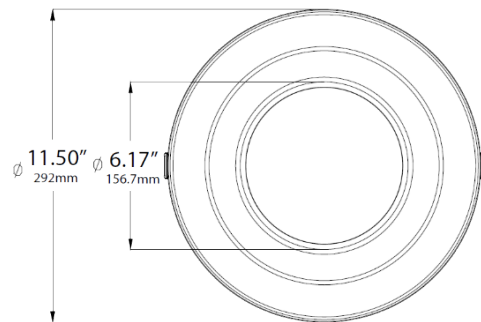
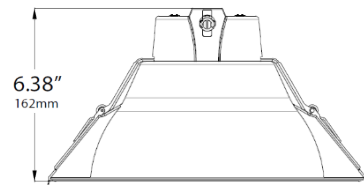
### 6-inch – High Output



### 8-inch High Output



### 9.5-inch

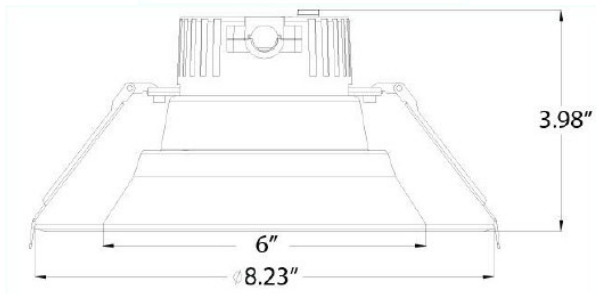




# LED Downlight Multi Wattage Multi CCT

## PRODUCT MEASUREMENTS

6-inch



8-inch

